

PART NUMBER	REVISION	DESCRIPTION	FEED TYPE
2266128-1	C	FINE CRIMP HEIGHT ADJUST	MECHANICAL
2266128-2	D	FINE CRIMP HEIGHT ADJUST	PNEUMATIC
7-2266128-1	C	MECHANICAL AND CRIMP TOOLING KIT	MECHANICAL
7-2266128-2	D	PNEUMATIC AND CRIMP TOOLING KIT	PNEUMATIC
7-2266128-7	B	CRIMP TOOLING KIT	-
7-2266128-8	B	APPLICATOR CONVERSION KIT	-

ATLANTIC VERSION TERMINATOR INTERFACE ADAPTER



APPLICATOR DATA

CRIMP	SIZE	TYPE
WIRE	3.28 mm [.129]	F
INSUL	4.06 mm [.160]	O

APPLICATOR INSTRUCTIONS
408-35042

APPLICATOR CONVERSION KITS

PART NUMBER	INSULATION DIAMETER RANGE
7-2266127-8	∅4.65-5.18mm [.183-.204]
7-2266128-8	∅3.96-4.62mm [.156-.182]
7-2266129-8	∅3.56-3.94mm [.140-.155]

TERMINAL DATA: DEUTSCH TERMINAL TE CRIMP SPECIFICATION

TERMINAL NAME: STAMPED CONTACT PIN SIZE 12

WIRE STRIP LENGTH	INSULATION DIAMETER RANGE
5.71-6.99 mm [.225-.275 IN]	∅3.96-4.62 mm [.156-.182 IN]

TERMINAL APPLICATION SPECIFICATION 114-151006

TERMINALS APPLIED 5, 8

TE TERMINAL	DEUTSCH TERMINAL	TE TERMINAL	DEUTSCH TERMINAL
286989-1	1060-12-0222	286989-2	1060-12-0244

TERMINAL DATA: DEUTSCH TERMINAL TE CRIMP SPECIFICATION

TERMINAL NAME: STAMPED CONTACT SOCKET SIZE 12

WIRE STRIP LENGTH	INSULATION DIAMETER RANGE
5.71-6.99 mm [.225-.275 IN]	∅3.96-4.62 mm [.156-.182 IN]

TERMINAL APPLICATION SPECIFICATION 114-151006

TERMINALS APPLIED 6, 8

TE TERMINAL	DEUTSCH TERMINAL	TE TERMINAL	DEUTSCH TERMINAL
286988-1	1062-12-0222	286988-2	1062-12-0244

WIRE SIZE	CRIMP HEIGHT mm [INCH]	CRIMP HEIGHT REFERENCE SETTING
6.00mm2	2.72+0.03/-0.05 [.107+.001/- .002]	5.4
10 AWG	2.51+0.03/-0.05 [.099+.001/- .002]	7.6
5.00mm2	2.51+0.03/-0.05 [.099+.001/- .002]	7.5
4.00mm2	2.16+0.03/-0.05 [.085+.001/- .002]	11.0

- 1 RECOMMENDED SPARE PARTS
 - 2 REFER TO SUPPLIED INSTRUCTION SHEET FOR CLEANING, LUBRICATION AND STORAGE OF APPLICATOR.
 - 3 APPLY PART NUMBER 2-23419-6 LOCTITE TO THREADS OF ITEM 242.
 - 4 CRIMP HEIGHT REFERENCE SETTING WAS THE SETTING USED WHEN THE APPLICATOR WAS QUALIFIED AT THE FACTORY. ADJUSTMENT MAY BE NECESSARY WHEN RUNNING APPLICATOR IN THE FIELD.
 - 5 DIMENSION 2.0±0.5 APPLIES TO PIN TERMINALS 1060-12-02XX.
 - 6 DIMENSION 7.9±0.5 APPLIES TO SOCKET TERMINALS 1062-12-02XX.
 - 7 SEE APPROPRIATE APPLICATOR LOG SHEETS FOR APPLIED TERMINALS, WIRE RANGE AND MEMORY CHIP.
 - 8 TERMINAL LUBRICANT IS RECOMMENDED.
9. UNLESS SPECIFIED OTHERWISE TORQUE VALUES SHALL BE USED PER DOCUMENT, 101-35000.

***WARNING**
 ON INSTALLATION, SET WIRE DISC TO CRIMP HEIGHT REFERENCE SETTING FOR LARGEST WIRE SIZE. CRIMP HEIGHT REFERENCE SETTINGS GREATER THAN THE VALUE SHOWN MAY CAUSE DAMAGE TO THE CRIMP TOOLING. REFER TO THE INSTRUCTION SHEET FOR PROPER SETUP AND ADJUSTMENTS.

LOC	DIST	REV	DATE	BY	APPV
A	66	B1	12DEC2016	RS	LZ
		B2	09JAN2018	KH	GB
		C	27SEP2018	MS	TE
		D	23NOV2021	TB	TE

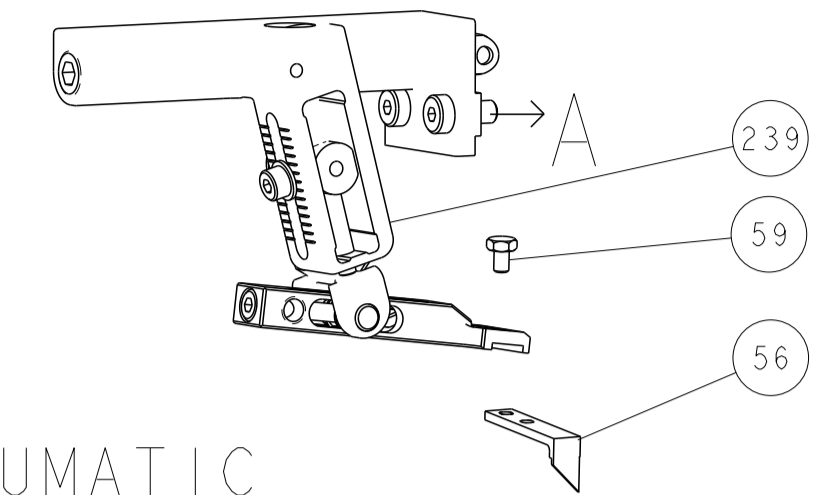
-	-	1	-	1	-	2119641-1	FEED CAM, AIR FEED	248
-	-	1	1	1	1	2119082-9	CAM, SNAIL, INSULATION ADJUSTMENT	244
-	-	1	1	1	1	2079764-1	WASHER, WAVE SPRING, CREST-TO-CREST	243
-	-	1	1	1	1	2119083-1	RETAINER, INSULATION DIAL	242
-	-	1	1	1	1	7-18023-7	SCR, SKT HD CAP M3 X 4.0	241
-	-	-	1	-	1	2119580-1	MECHANICAL FEED ASSEMBLY	239
-	-	1	-	1	-	2844940-1	AIR FEED MODULE	238
-	-	REF	REF	REF	REF	994970-2	COUNTER, MAGNETIC	164
-	-	1	1	1	1	1-18028-2	WASHER, FLAT, REG M4	119
-	-	1	1	1	1	2119955-1	ASSY, LUBRICATOR, SIDE FEED	113
-	-	1	1	1	1	2844908-1	SCREW, LOCKING	99
-	-	1	1	1	1	2844907-1	POST, LOCKING	98
-	-	1	1	1	1	455888-5	SPACER, CRIMPER	82
1	-	-	-	-	-	2266128	PRINT, APPLICATOR LOG SHEET	72
-	-	1	1	1	1	1803607-3	DOCUMENTATION PACKAGE	71
-	-	2	2	2	2	2119791-9	DEPRESSOR, WIRE	70
-	-	1	1	1	1	2119943-1	WASHER, SPACER	69
-	-	1	1	1	1	2119740-1	TAG, IDENTIFICATION	67
-	-	2	2	2	2	2168078-1	SCREW, DRIVE, RH, RoHS, 2 x .188	66
-	-	1	1	1	1	2168083-2	SCR, SKT HD CAP, RoHS, M4 X 8.0	60
-	-	1	1	1	1	5-18022-5	SCR, HEX HD CAP, M4 X 6.0	59
-	-	1	1	1	1	1338685-1	PAWL, FEED	56
-	-	4	4	4	4	2168083-3	SCR, SKT HD CAP, RoHS, M4 X 12.0	54
-	-	2	2	2	2	2168083-3	SCR, SKT HD CAP, RoHS, M4 X 12.0	53
-	-	1	1	1	1	5018030-1	NUT, HEX, REG, RoHS, M3	52
-	-	1	1	1	1	811242-5	BUMPER, HOLD DOWN	51
-	-	1	1	1	1	690753-2	SPACER, TONKER	50
-	-	1	2	1	2	18023-9	SCR, SKT HD CAP M4 X 6.0	49
-	-	-	1	-	1	2119652-1	FEED CAM, PRE FEED	48
-	-	-	1	-	1	2119653-1	FEED CAM, POST FEED	47
-	-	1	1	1	1	1803583-9	APPLICATOR BASIC ASSEMBLY, SF	46
-	-	1	1	1	1	1803515-1	RAM ASSEMBLY, SF ATLANTIC	44
-	-	1	1	1	1	1803602-1	SCR, BHSC, RoHS (M8 X 25)	41
-	-	1	1	1	1	1752356-6	SUPPORT, TERMINAL	34
-	-	2	2	2	2	2079383-5	SCR, BHSC, RoHS (M4 X 20)	33
-	-	2	2	2	2	2-2844962-8	SPACER, CYLINDRICAL, STRIP GUIDE	30
-	-	1	1	1	1	2844992-1	ASSEMBLY, STRIP GUIDE	29
-	-	1	1	1	1	1320928-6	STRIP GUIDE	24
-	-	1	1	1	1	2168083-2	SCR, SKT HD CAP, RoHS, M4 X 8.0	21
-	-	1	1	1	1	1-18028-2	WASHER, FLAT, REG M4	20
-	-	1	1	1	1	2119533-1	STRIPPER, SIDE FEED	19
-	-	1	1	1	1	2119806-1	INSERT, SHEAR	13
-	-	1	1	1	1	3-22280-3	SPRING, COMPRESSION	12
-	-	1	1	1	1	1-356885-4	STOP, SHEAR	11
-	-	1	1	1	1	2119805-1	SHEAR HOLDER, FRONT	10
-	-	1	1	1	1	1803095-1	FLOATING SHEAR, FRONT	9
1	1	2	2	1	1	2-1803293-4	ANVIL, COMBINATION DEUTSCH STYLE	8
-	-	1	1	1	1	3-240641-7	SPACER	7
-	-	-	-	-	-	-	-	6
-	-	1	1	1	1	1-2119757-3	DEPRESSOR, SHEAR	5
-	-	1	1	1	1	238011-2	BLOCK, CRIMPER SPACER	4
1	1	2	2	1	1	3-1803019-0	CRIMPER, INSULATION O	3
-	-	1	1	1	1	455888-4	SPACER, CRIMPER	2
-	-	1	2	2	1	4-1633713-7	CRIMPER, WIRE PREMIUM	1

ATLANTIC VERSION
 Shown on sheets 1 of 4 & 2 of 4
 (Pacific version shown on sheets 3 of 4 & 4 of 4)

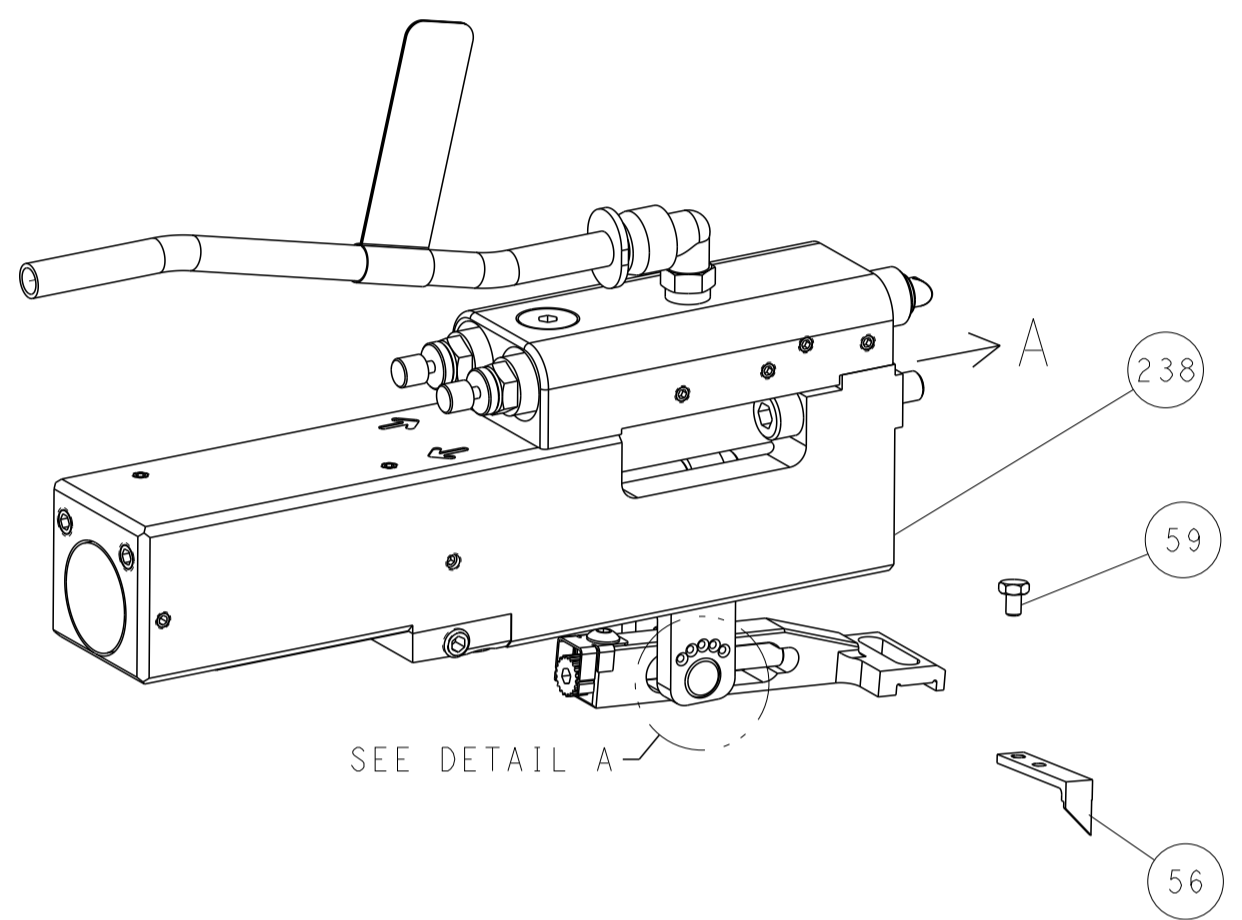
DIMENSIONS:	TOLERANCES UNLESS OTHERWISE SPECIFIED:	OWN	CHK	APPV	NAME	SIZE	CAGE CODE	DRAWING NO	RESTRICTED TO
mm	0 PLC ± 1 PLC ± 2 PLC ± 3 PLC ± 4 PLC ± ANGLES ±	R. KNEPPER	G. BAILEY	M. CLIFFORD	Ocean Side Feed Applicator	A1	00779	23-Jan-14	Customer Accessible Production Drawing

LOC	DIST	REV	DATE	BY	APPV
A	66				

FEED TYPE MECHANICAL



PNEUMATIC

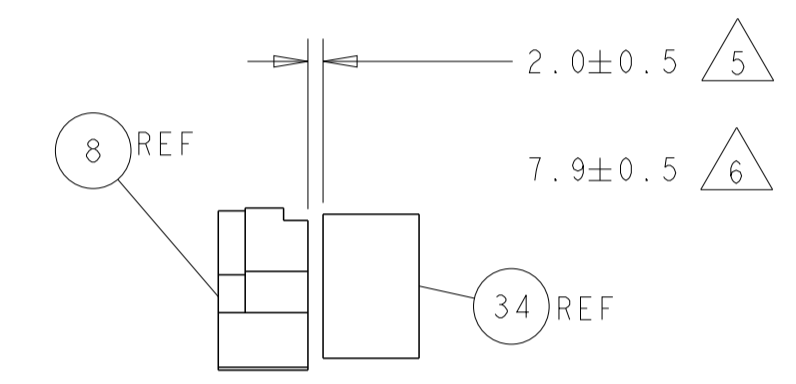
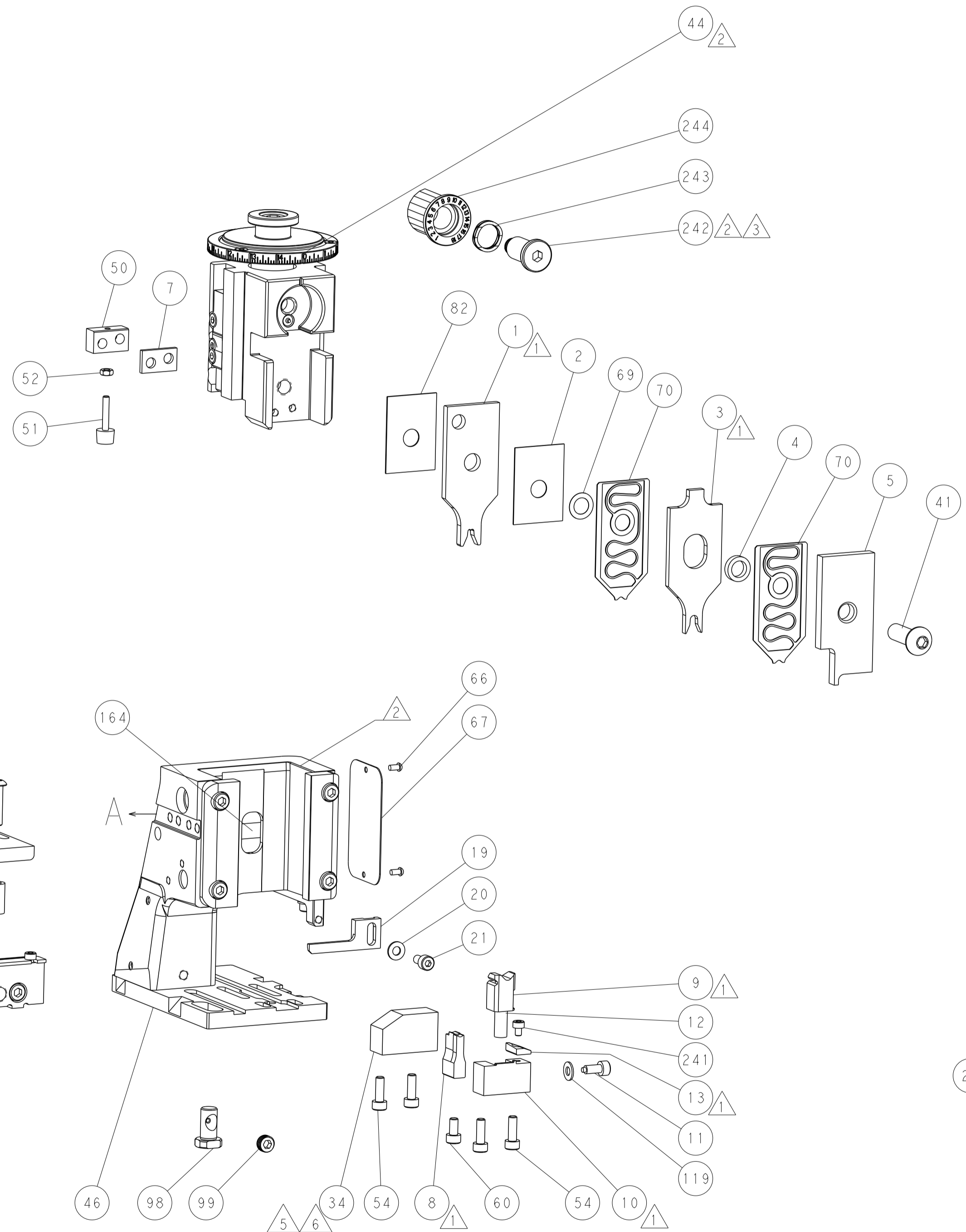
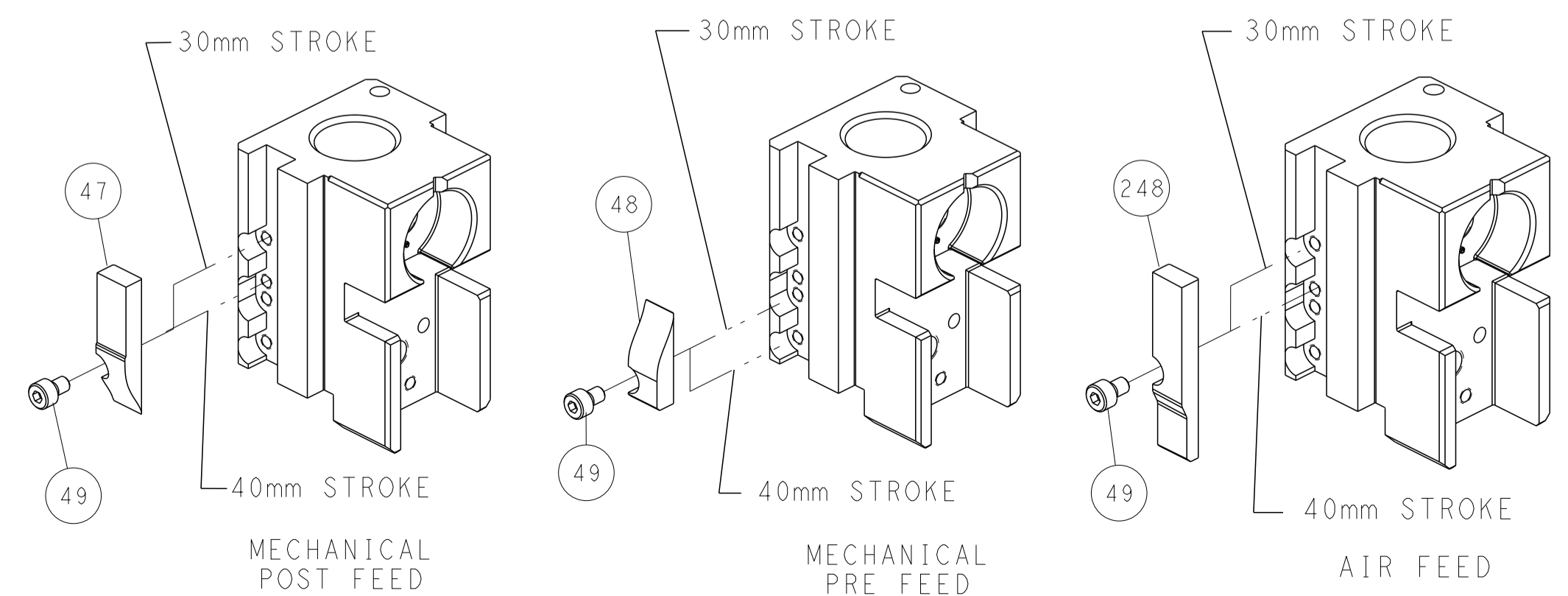


FEED SPRING SETTING POSITION (SHOWN FROM REAR SIDE)

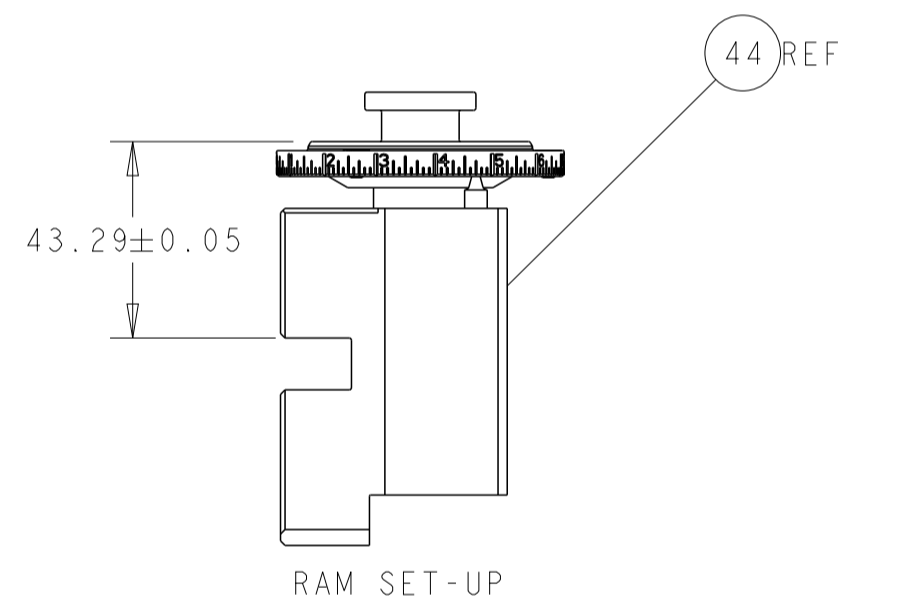


DETAIL A

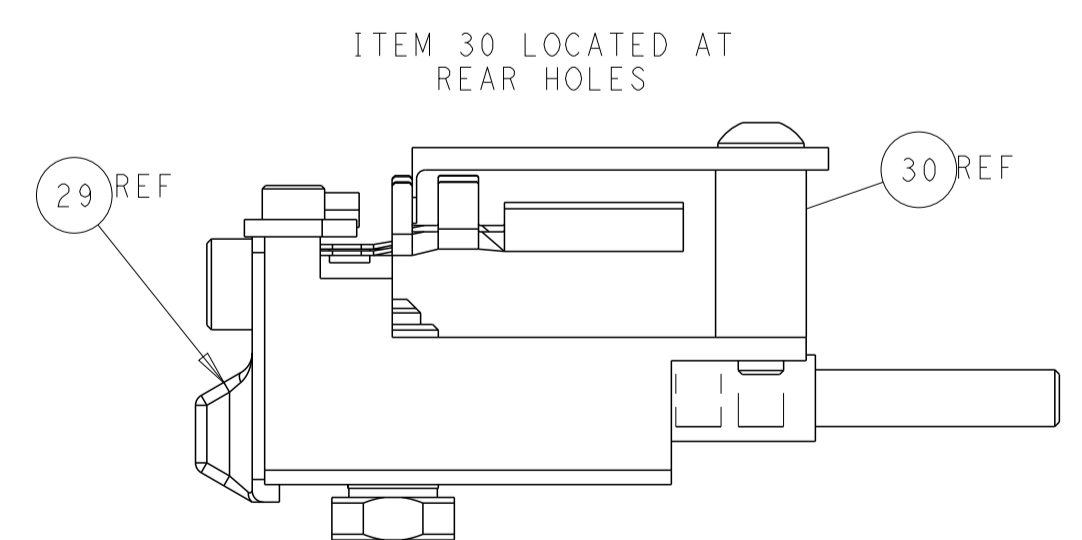
CAM POSITIONS



TERMINAL SUPPORT LOCATION



RAM SET-UP



ITEM 30 LOCATED AT REAR HOLES

FEED TRACK POSITION GUIDE BY INSULATION BARREL

ATLANTIC VERSION
 Shown on sheets 1 of 4 & 2 of 4
 (Pacific version shown on sheets 3 of 4 & 4 of 4)

DIMENSIONS: mm 		TOLERANCES UNLESS OTHERWISE SPECIFIED: 0 PLC ± 1 PLC ± 2 PLC ± 3 PLC ± 4 PLC ± ANGLES ± FINISH		DWN R. KNEPPER 23-Jan-14 CHK G. BAILEY 23-Jan-14 APVD M. CLIFFORD 23-Jan-14 PRODUCT SPEC APPLICATION SPEC WEIGHT Customer Accessible Production Drawing		NAME Ocean Side Feed Applicator SIZE CAGE CODE DRAWING NO. RESTRICTED TO A1 00779 C=2266128 SCALE 1:2 SHEET 2 OF 4 REV D	
--------------------	--	---	--	---	--	---	--

PART NUMBER	REVISION	DESCRIPTION	FEED TYPE
2-2266128-1	C	FINE CRIMP HEIGHT ADJUST	MECHANICAL
2-2266128-2	D	FINE CRIMP HEIGHT ADJUST	PNEUMATIC
7-2266128-7	B	CRIMP TOOLING KIT	-

PACIFIC VERSION TERMINATOR
 INTERFACE ADAPTER



APPLICATOR DATA		
CRIMP	SIZE	TYPE
WIRE	3.28 mm [.129]	F
INSUL	4.06 mm [.160]	O
APPLICATOR INSTRUCTIONS 408-35042		

APPLICATOR CONVERSION KITS	
PART NUMBER	INSULATION DIAMETER RANGE
7-2266127-8	∅ 4.65-5.18mm [.183-.204]
7-2266128-8	∅ 3.96-4.62mm [.156-.182]
7-2266129-8	∅ 3.56-3.94mm [.140-.155]

TERMINAL DATA: DEUTSCH TERMINAL TE CRIMP SPECIFICATION			
TERMINAL NAME: STAMPED CONTACT PIN SIZE 12			
WIRE STRIP LENGTH		INSULATION DIAMETER RANGE	
5.71-6.99 mm [.225-.275 IN]		∅ 3.96-4.62 mm [.156-.182 IN]	
TERMINAL APPLICATION SPECIFICATION	114-151006	-	-
TERMINALS APPLIED $\triangle 5 \triangle 8$			
TE TERMINAL	DEUTSCH TERMINAL	TE TERMINAL	DEUTSCH TERMINAL
286989-1	1060-12-0222	286989-2	1060-12-0244

TERMINAL DATA: DEUTSCH TERMINAL TE CRIMP SPECIFICATION			
TERMINAL NAME: STAMPED CONTACT SOCKET SIZE 12			
WIRE STRIP LENGTH		INSULATION DIAMETER RANGE	
5.71-6.99 mm [.225-.275 IN]		∅ 3.96-4.62 mm [.156-.182 IN]	
TERMINAL APPLICATION SPECIFICATION	114-151006	-	-
TERMINALS APPLIED $\triangle 6 \triangle 8$			
TE TERMINAL	DEUTSCH TERMINAL	TE TERMINAL	DEUTSCH TERMINAL
286988-1	1062-12-0222	286988-2	1062-12-0244

WIRE SIZE	CRIMP HEIGHT mm [INCH]	CRIMP HEIGHT REFERENCE SETTING
6.00mm2	2.72+0.03/-0.05 [.107+.001/- .002]	5.4
10 AWG	2.51+0.03/-0.05 [.099+.001/- .002]	7.6
5.00mm2	2.51+0.03/-0.05 [.099+.001/- .002]	7.5
4.00mm2	2.16+0.03/-0.05 [.085+.001/- .002]	11.0

- RECOMMENDED SPARE PARTS
- REFER TO SUPPLIED INSTRUCTION SHEET FOR CLEANING, LUBRICATION AND STORAGE OF APPLICATOR.
- APPLY PART NUMBER 2-23419-6 LOCTITE TO THREADS OF ITEM 242.
- CRIMP HEIGHT REFERENCE SETTING WAS THE SETTING USED WHEN THE APPLICATOR WAS QUALIFIED AT THE FACTORY. ADJUSTMENT MAY BE NECESSARY WHEN RUNNING APPLICATOR IN THE FIELD.
- DIMENSION 2.0±0.5 APPLIES TO PIN TERMINALS 1060-12-02XX.
- DIMENSION 7.9±0.5 APPLIES TO SOCKET TERMINALS 1062-12-02XX.
- SEE APPROPRIATE APPLICATOR LOG SHEETS FOR APPLIED TERMINALS, WIRE RANGE AND MEMORY CHIP.
- TERMINAL LUBRICANT IS RECOMMENDED.
- 9. UNLESS SPECIFIED OTHERWISE TORQUE VALUES SHALL BE USED PER DOCUMENT, 101-35000.

***WARNING**
 ON INSTALLATION, SET WIRE DISC TO CRIMP HEIGHT REFERENCE SETTING FOR LARGEST WIRE SIZE. CRIMP HEIGHT REFERENCE SETTINGS GREATER THAN THE VALUE SHOWN MAY CAUSE DAMAGE TO THE CRIMP TOOLING. REFER TO THE INSTRUCTION SHEET FOR PROPER SETUP AND ADJUSTMENTS.

LOC	DIST	REV	DATE	BY	APPV
A	66	-	-	-	-

REV	DATE	BY	APPV	DESCRIPTION	ITEM NO	
-	-	1	1	2119082-9	CAM, SNAIL, INSULATION ADJUSTMENT	244
-	-	1	1	2079764-1	WASHER, WAVE SPRING, CREST-TO-CREST	243
-	-	1	1	2119083-1	RETAINER, INSULATION DIAL	242
-	-	1	1	7-18023-7	SCR, SKT HD CAP M3 X 4.0	241
-	-	-	1	2119580-1	MECHANICAL FEED ASSEMBLY	239
-	-	1	-	2844940-1	AIR FEED MODULE	238
-	-	REF	REF	994970-2	COUNTER, MAGNETIC	164
-	-	1	-	2119641-2	FEED CAM, AIR FEED	151
-	-	1	1	2168083-8	SCR, SKT HD CAP, RoHS, M4 X 16	144
-	-	4	4	2168083-9	SCR, SKT HD CAP, RoHS, M4 X 20	143
-	-	-	1	2119653-2	FEED CAM, POST FEED	142
-	-	1	1	1-1803583-0	APPLICATOR BASIC ASSEMBLY, SF	141
-	-	1	1	1803516-1	RAM ASSEMBLY, SF PACIFIC	140
-	-	1	1	1-18028-2	WASHER, FLAT, REG M4	119
-	-	1	1	2119955-1	ASSY, LUBRICATOR, SIDE FEED	113
-	-	1	1	2844908-1	SCREW, LOCKING	99
-	-	1	1	2844907-1	POST, LOCKING	98
-	-	1	1	455888-5	SPACER, CRIMPER	82
-	1	-	-	2266128	PRINT, APPLICATOR LOG SHEET	72
-	-	1	1	1803607-3	DOCUMENTATION PACKAGE	71
-	-	2	2	2119791-9	DEPRESSOR, WIRE	70
-	-	1	1	2119943-1	WASHER, SPACER	69
-	-	1	1	2119740-1	TAG, IDENTIFICATION	67
-	-	2	2	2168078-1	SCREW, DRIVE, RH, RoHS, 2 x .188	66
-	-	1	1	5-18022-5	SCR, HEX HD CAP, M4 X 6.0	59
-	-	1	1	1338685-1	PAWL, FEED	56
-	-	2	2	2168083-3	SCR, SKT HD CAP, RoHS, M4 X 12.0	53
-	-	1	1	5018030-1	NUT, HEX, REG, RoHS, M3	52
-	-	1	1	811242-5	BUMPER, HOLD DOWN	51
-	-	1	1	690753-2	SPACER, TONKER	50
-	-	1	2	18023-9	SCR, SKT HD CAP M4 X 6.0	49
-	-	-	1	2119652-1	FEED CAM, PRE FEED	48
-	-	1	1	1803602-1	SCR, BHSC, RoHS (M8 X 25)	41
-	-	1	1	1752356-6	SUPPORT, TERMINAL	34
-	-	2	2	2079383-5	SCR, BHSC, RoHS (M4 X 20)	33
-	-	2	2	2-2844962-8	SPACER, CYLINDRICAL, STRIP GUIDE	30
-	-	1	1	2844992-1	ASSEMBLY, STRIP GUIDE	29
-	-	1	1	1320928-6	STRIP GUIDE	24
-	-	1	1	2168083-2	SCR, SKT HD CAP, RoHS, M4 X 8.0	21
-	-	1	1	1-18028-2	WASHER, FLAT, REG M4	20
-	-	1	1	2119533-1	STRIPPER, SIDE FEED	19
-	-	1	1	2119806-1	INSERT, SHEAR	13
-	-	1	1	3-22280-3	SPRING, COMPRESSION	12
-	-	1	1	1-356885-4	STOP, SHEAR	11
-	-	1	1	2119805-1	SHEAR HOLDER, FRONT	10
-	-	1	1	1803095-1	FLOATING SHEAR, FRONT	9
1	1	1	1	2-1803293-4	ANVIL, COMBINATION DEUTSCH STYLE	8
-	-	1	1	3-240641-7	SPACER	7
-	-	-	-	-	-	6
-	-	1	1	1-2119757-3	DEPRESSOR, SHEAR	5
-	-	1	1	238011-2	BLOCK, CRIMPER SPACER	4
1	1	1	1	3-1803019-0	CRIMPER, INSULATION O	3
-	-	1	1	455888-4	SPACER, CRIMPER	2
-	-	1	1	4-1633713-7	CRIMPER, WIRE PREMIUM	1

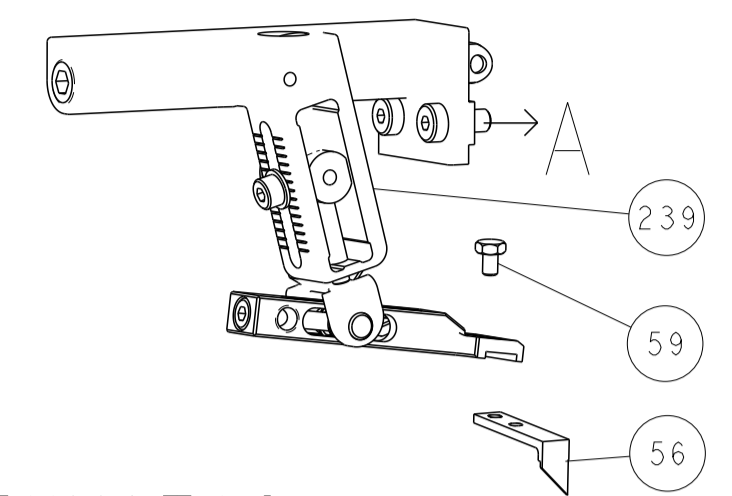
PACIFIC VERSION
 Shown on sheets 3 of 4 & 4 of 4
 (Atlantic version shown on sheets 1 of 4 & 2 of 4)

DIMENSIONS:		TOLERANCES UNLESS OTHERWISE SPECIFIED:		MATERIAL:	
mm	0 PLC ±	1 PLC ±	2 PLC ±	3 PLC ±	4 PLC ±
	ANGLES	FINISH			

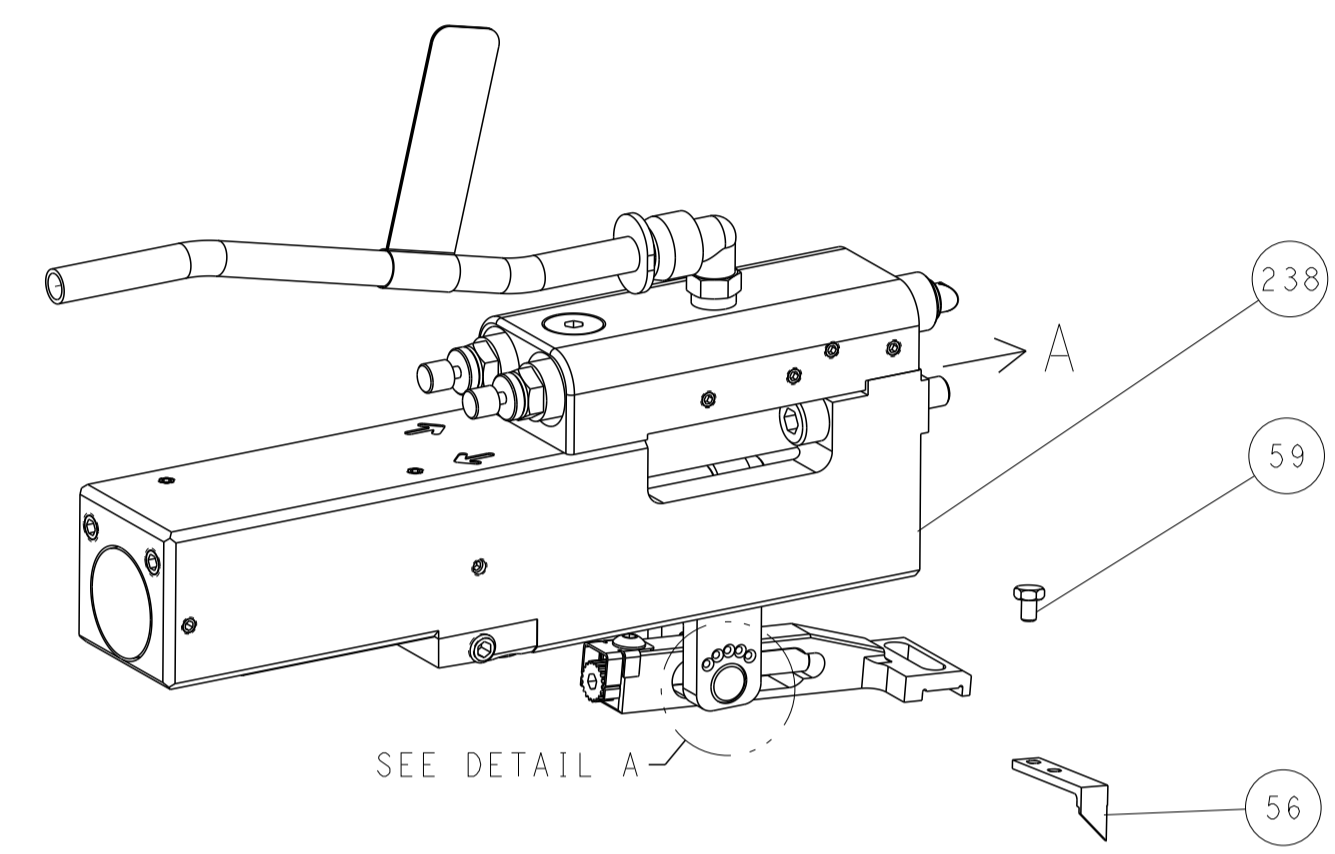
OWN	R. KNEPPER	23-Jan-14	NAME	TE Connectivity	
CHK	G. BAILEY	23-Jan-14	PRODUCT SPEC	Ocean Side Feed Applicator	
APPV	M. CLIFFORD	23-Jan-14	SIZE	A1	
SCALE	1:2	SHEET	3	OF	4
RESTRICTED TO		REV	D		

LOC		DIST		REVISIONS				
P	LTN	DATE	DMN	APVD	DESCRIPTION	DATE	DMN	APVD
-	-	SEE SHEET 1	-	-	-	-	-	-

FEED TYPE MECHANICAL



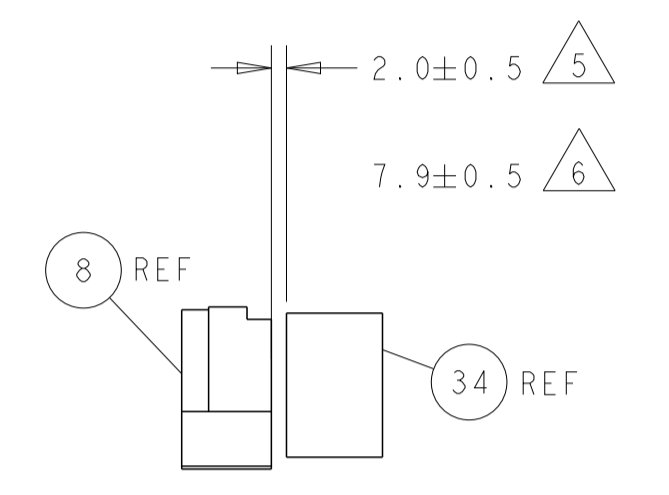
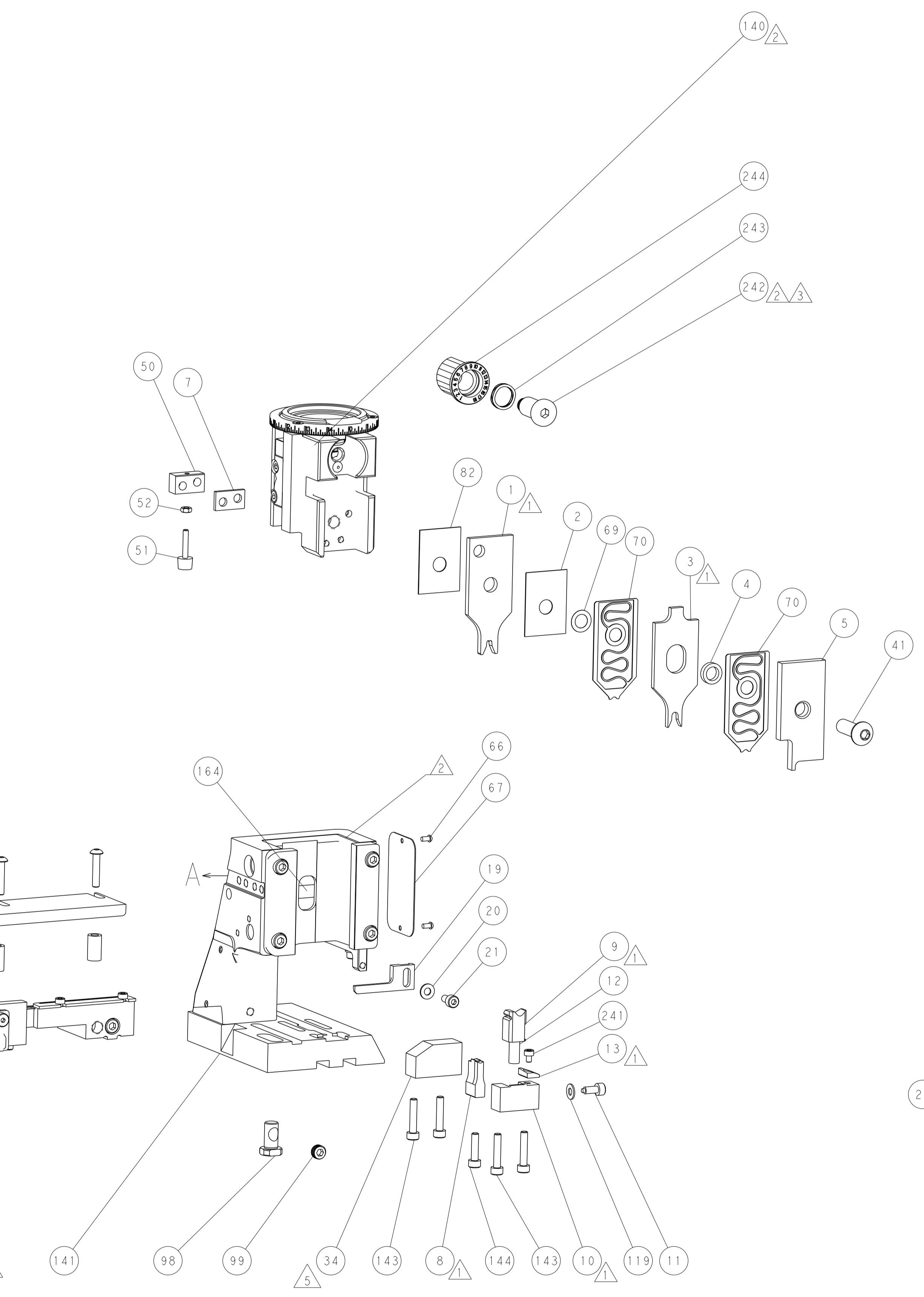
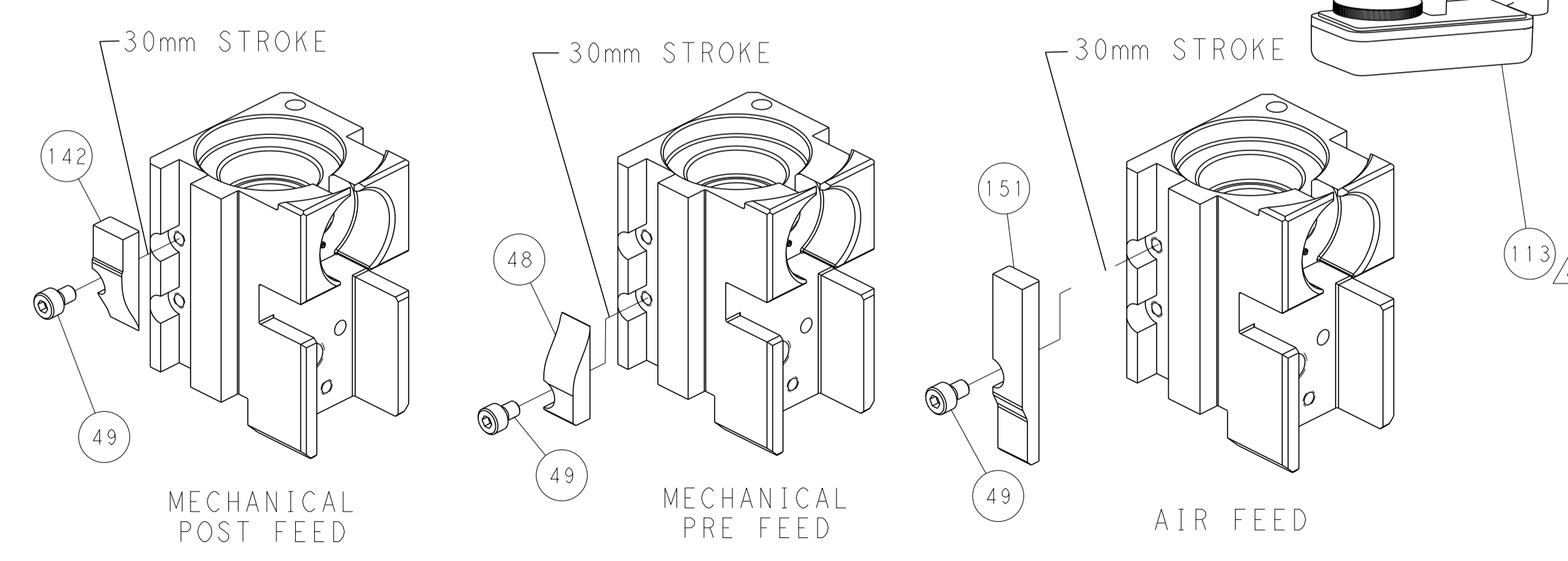
PNEUMATIC



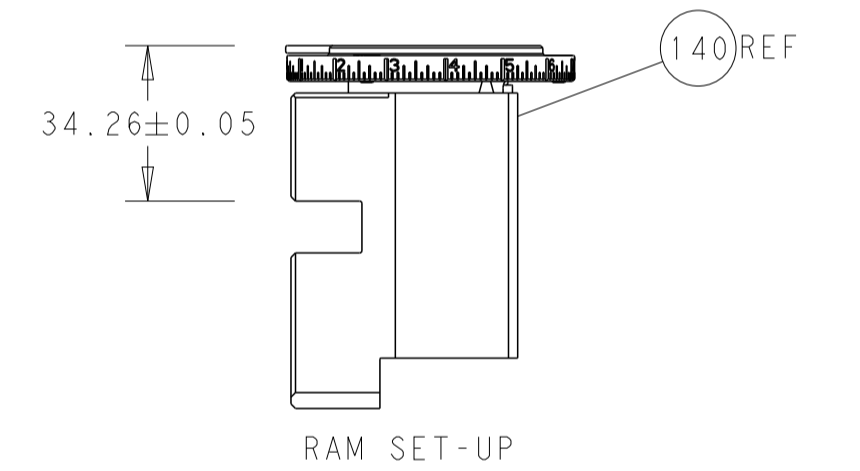
FEED SPRING SETTING POSITION (SHOWN FROM REAR SIDE)



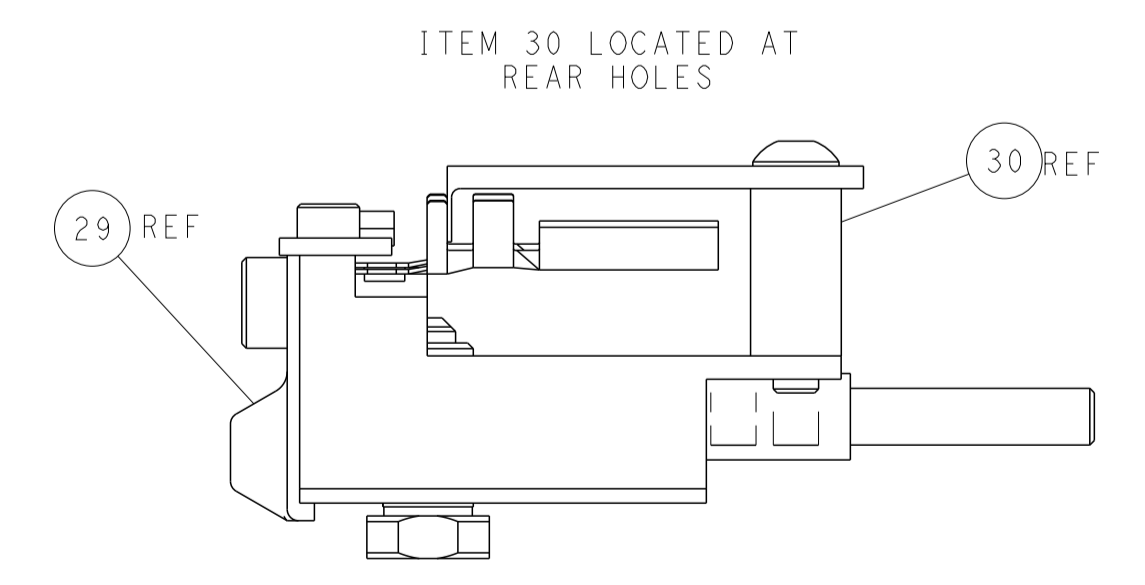
CAM POSITIONS



TERMINAL SUPPORT LOCATION



RAM SET-UP



FEED TRACK POSITION GUIDE BY INSULATION BARREL

PACIFIC VERSION
 Shown on sheets 3 of 4 & 4 of 4
 (Atlantic version shown on sheets 1 of 4 & 2 of 4)

DIMENSIONS: mm 		TOLERANCES UNLESS OTHERWISE SPECIFIED: 0 PLC ± 1 PLC ± 2 PLC ± 3 PLC ± 4 PLC ± ANGLES ± FINISH ±		DWN R. KNEPPER 23-Jan-14 CHK G. BAILEY 23-Jan-14 APVD M. CLIFFORD 23-Jan-14 PRODUCT SPEC APPLICATION SPEC WEIGHT Customer Accessible Production Drawing		NAME SIZE CAGE CODE DRAWING NO RESTRICTED TO	
MATERIAL:		SCALE: 1:2		SHEET 4 OF 4		REV D	



TE Connectivity
 Harrisburg, PA 17105-3608

Ocean Side Feed Applier

00779 ©=2266128