

PART NUMBER	REVISION	DESCRIPTION	FEED TYPE
2266233-1	H	FINE CRIMP HEIGHT ADJUST	MECHANICAL
2266233-2	H	FINE CRIMP HEIGHT ADJUST	PNEUMATIC
7-2266233-7	D	CRIMP TOOLING KIT	-

ATLANTIC VERSION TERMINATOR
INTERFACE ADAPTER

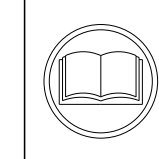


APPLICATOR DATA		
CRIMP	SIZE	TYPE
WIRE	0.81 mm [.032]	F
INSUL	0.97 mm [.038]	F

APPLICATOR INSTRUCTIONS
408-35042

TERMINAL DATA: SAMTEC TERMINAL SAMTEC CRIMP SPECIFICATION			
TERMINAL NAME: .050" C.L. DISCRETE WIRE CONTACT			
WIRE STRIP LENGTH	INSULATION DIAMETER RANGE		
2.28-2.54 mm [.090-.100 IN]	Ø0.74-0.97 mm [.029-.038 IN]		
TERMINAL APPLICATION SPECIFICATION	STS-A-006 Rev E		
TERMINALS APPLIED			
TE TERMINAL	SAMTEC TERMINAL	TE TERMINAL	SAMTEC TERMINAL
2113440-1	CC03R-2830-01-H	2113440-2	CC03M-2830-01-H
2113440-3	CC03M-2830-01-G		

WIRE SIZE	CRIMP HEIGHT mm [INCH]	CRIMP HEIGHT REFERENCE SETTING
28 AWG	0.46 +/- 0.025 [.018 +/- .001]	8.6
30 AWG	0.41 +/- 0.025 [.016 +/- .001]	9.3



- 1 RECOMMENDED SPARE PARTS
 - 2 REFER TO SUPPLIED INSTRUCTION SHEET FOR CLEANING, LUBRICATION AND STORAGE OF APPLICATOR.
 - 3 APPLY PART NUMBER 2-23419-6 LOCTITE TO THREADS OF ITEM 242.
 - 4 CRIMP HEIGHT REFERENCE SETTING WAS THE SETTING USED WHEN THE APPLICATOR WAS QUALIFIED AT THE FACTORY. ADJUSTMENT MAY BE NECESSARY WHEN RUNNING APPLICATOR IN THE FIELD.
 - 5 TERMINAL LUBRICANT IS RECOMMENDED.
 - 6 GRIND TO LENGTH AT ASSEMBLY.
7. UNLESS SPECIFIED OTHERWISE TORQUE VALUES SHALL BE USED PER DOCUMENT, 101-35000.

***WARNING**
ON INSTALLATION, SET WIRE DISC TO CRIMP HEIGHT REFERENCE SETTING FOR LARGEST WIRE SIZE. CRIMP HEIGHT REFERENCE SETTINGS GREATER THAN THE VALUE SHOWN MAY CAUSE DAMAGE TO THE CRIMP TOOLING, REFER TO THE INSTRUCTION SHEET FOR PROPER SETUP AND ADJUSTMENTS.

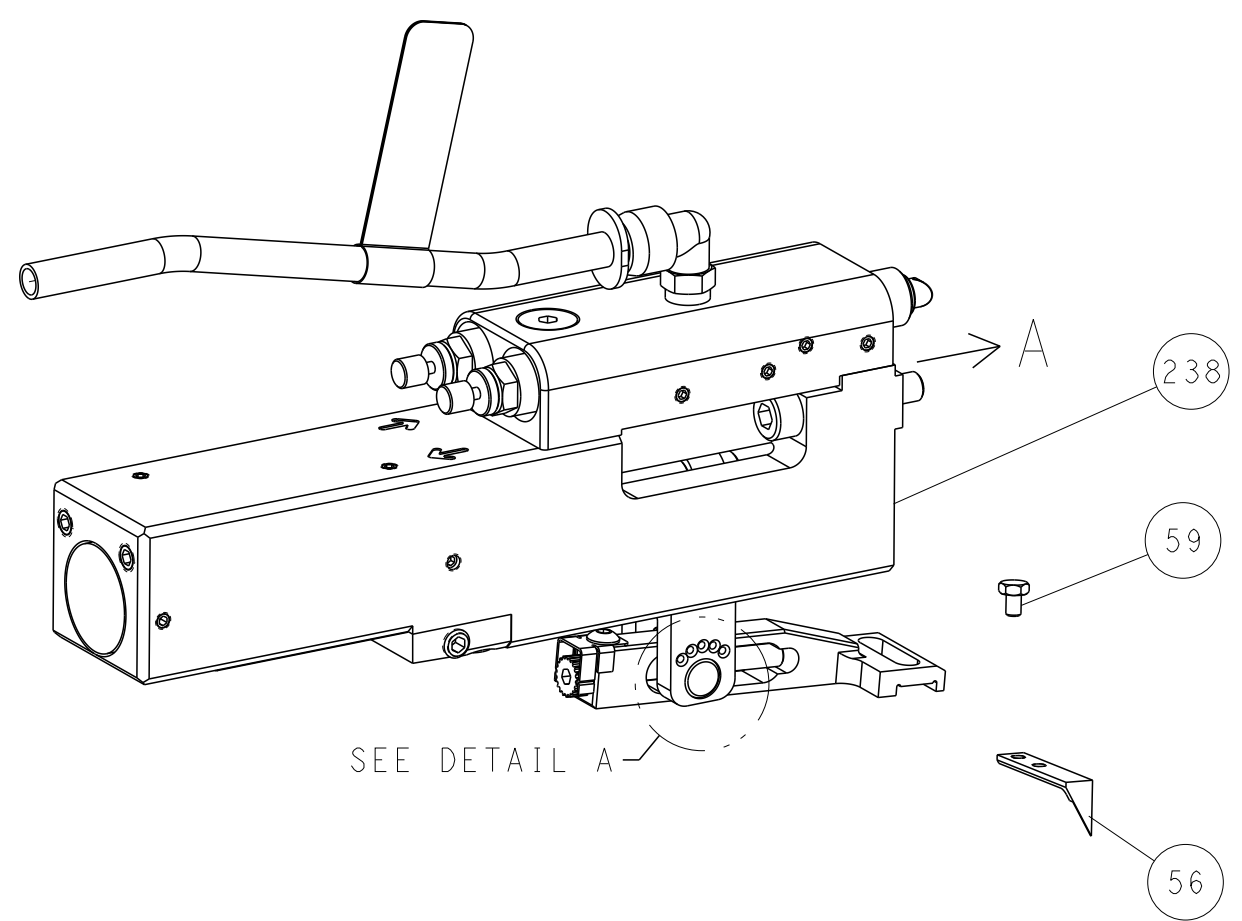
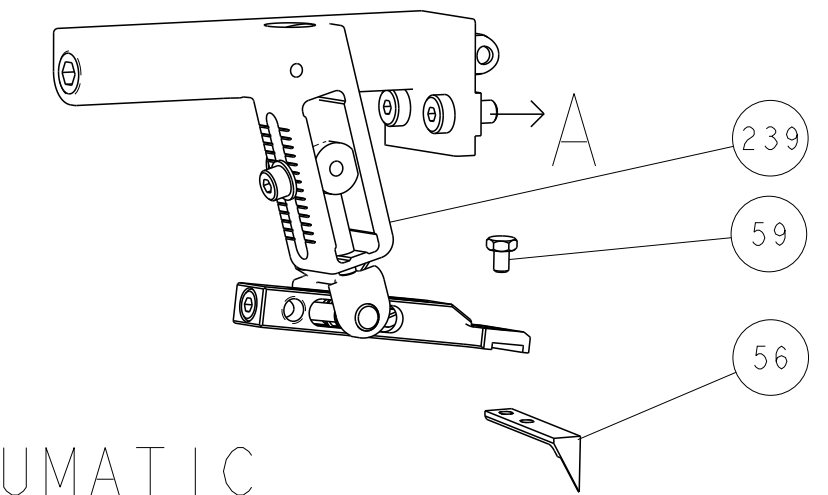
LOC	DIST	REVISIONS					
A	66	P	LTN	DESCRIPTION	DATE	OWN	APVD
		G		ECR-23-174114	03MAY2023	ROY	TLE
		G1		ECR-23-187867	22SEP2023	FZ	JAH
		H		ECR-24-204077	27MAR2024	TB	TE
		H1		ECR-24-214994	16JUL2024	ZZ	TE

-	1	-	2119641-1	FEED CAM, AIR FEED	248
-	1	1	2119082-5	CAM, SNAIL, INSULATION ADJUSTMENT	244
-	1	1	2079764-1	WASHER, WAVE SPRING, CREST-TO-CREST	243
3	-	1	2119083-1	RETAINER, INSULATION DIAL	242
-	2	2	7-18023-7	SCR, SKT HD CAP M3 X 4.0	241
-	-	1	2119580-1	MECHANICAL FEED ASSEMBLY	239
-	1	-	2844940-1	AIR FEED MODULE	238
-	1	1	356885-4	STOP, SHEAR	237
-	REF	REF	994970-2	COUNTER, MAGNETIC	164
-	1	1	1-18028-2	WASHER, FLAT, REG M4	119
5	-	1	2119955-1	ASSY, LUBRICATOR, SIDE FEED	113
-	1	1	2844908-1	SCREW, LOCKING	99
-	1	1	2844907-1	POST, LOCKING	98
-	1	1	455888-4	SPACER, CRIMPER	82
-	1	1	3-240641-7	SPACER	81
-	1	1	1803607-3	DOCUMENTATION PACKAGE	71
-	1	1	2-2119791-2	DEPRESSOR, WIRE	70
-	1	1	2119740-1	TAG, IDENTIFICATION	67
-	2	2	2168078-1	SCREW, DRIVE, RH, RoHS, 2 x .188	66
-	1	1	2168083-2	SCR, SKT HD CAP, RoHS, M4 X 8.0	60
-	1	1	5-18022-5	SCR, HEX HD CAP, M4 X 6.0	59
-	1	1	1338685-3	PAWL, FEED	56
-	4	4	2168083-3	SCR, SKT HD CAP, RoHS, M4 X 12.0	54
-	2	2	2168083-8	SCR, SKT HD CAP, RoHS, M4 X 16	53
-	1	2	18023-9	SCR, SKT HD CAP M4 X 6.0	49
-	-	1	2119652-1	FEED CAM, PRE FEED	48
-	-	1	2119653-1	FEED CAM, POST FEED	47
-	1	1	1803583-9	APPLICATOR BASIC ASSEMBLY, SF	46
-	1	1	1803515-1	RAM ASSEMBLY, SF ATLANTIC	44
-	1	1	1803602-1	SCR, BHSC, RoHS (M8 X 25)	41
-	2	2	2079383-5	SCR, BHSC, RoHS (M4 X 20)	33
-	2	2	2-2844962-3	SPACER, CYLINDRICAL, STRIP GUIDE	30
-	1	1	2844992-1	ASSEMBLY, STRIP GUIDE	29
-	1	1	1320928-2	STRIP GUIDE	24
1	-	1	2280441-1	INSERT, SHEAR	23
-	1	1	2168083-2	SCR, SKT HD CAP, RoHS, M4 X 8.0	21
-	1	1	1-18028-2	WASHER, FLAT, REG M4	20
-	1	1	2119533-1	STRIPPER, SIDE FEED	19
-	1	1	3-690518-3	HOLD DOWN, TERMINAL	18
1	-	1	690463-1	FLOATING SHEAR, REAR	17
6	-	2	1-2168083-1	SCR, SKT HD CAP, RoHS, M3 X 6	16
1	-	1	1424599-2	PLATE, REAR SHEAR	15
1	-	1	2119862-1	SHEAR HOLDER, REAR	14
1	-	1	2119806-1	INSERT, SHEAR	13
1	-	2	3-22280-3	SPRING, COMPRESSION	12
-	1	1	1-356885-4	STOP, SHEAR	11
1	-	1	2119805-1	SHEAR HOLDER, FRONT	10
1	-	1	1803095-3	FLOATING SHEAR, FRONT	9
1	1	1	7-1633927-7	ANVIL, COMBINATION	8
-	1	1	1-240641-3	SPACER	7
-	1	1	1-690468-8	DEPRESSOR SHEAR, REAR	6
-	1	1	1-2119757-8	DEPRESSOR, SHEAR	5
-	1	1	2-238011-3	BLOCK, CRIMPER SPACER	4
1	1	1	1803167-4	CRIMPER, INSULATION F SPECIAL	3
1	-	1	455888-2	SPACER, CRIMPER	2
1	1	1	1803191-3	CRIMPER, WIRE	1

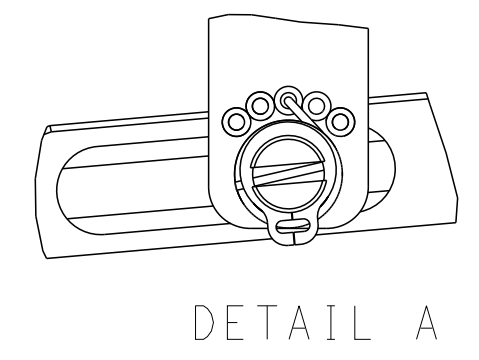
<small>THIS DRAWING IS UNPUBLISHED. IT IS THE PROPERTY OF TYCOO ELECTRONICS CORPORATION. IT IS TO BE USED ONLY FOR THE PURPOSES SPECIFIED. IT IS TO BE KEPT IN CONFIDENTIALITY AND NOT TO BE REPRODUCED OR TRANSMITTED IN ANY FORM OR BY ANY MEANS, ELECTRONIC OR MECHANICAL, INCLUDING PHOTOCOPYING, RECORDING, OR BY ANY INFORMATION STORAGE AND RETRIEVAL SYSTEM. PERMISSION TO REPRODUCE THIS DRAWING IN WHOLE OR IN PART IS GRANTED BY TYCOO ELECTRONICS CORPORATION TO THE EXTENT THAT THE REPRODUCED DRAWING IS USED TO IDENTIFY THE PARTS OF THE PRODUCT. THIS PERMISSION IS NOT TO BE USED FOR THE PURPOSES OF REPRODUCING THIS DRAWING FOR OTHER THAN THE IDENTIFICATION OF THE PARTS OF THE PRODUCT.</small>		DWN: HOFFNER 03MAR2014 CHK: T. ELBIN 04MAR2014 APVD: T. ELBIN 04MAR2014	TE Connectivity Harrisburg, PA 17105-3608
DIMENSIONS: mm 		TOLERANCES UNLESS OTHERWISE SPECIFIED: 0 PLC ± 1 PLC ± 2 PLC ± 3 PLC ± 4 PLC ± ANGLES ± FINISH	NAME: Ocean Side Feed Applicator SIZE: A1 CAGE CODE: 00779 DRAWING NO: 2266233 RESTRICTED TO:
MATERIAL:		WEIGHT:	SCALE: 1:2 SHEET 1 OF 4 REV: H1

LOC		DIST		REVISIONS			
A	66	P	LYR	DESCRIPTION	DATE	OWN	APVD
		-		SEE SHEET 1			

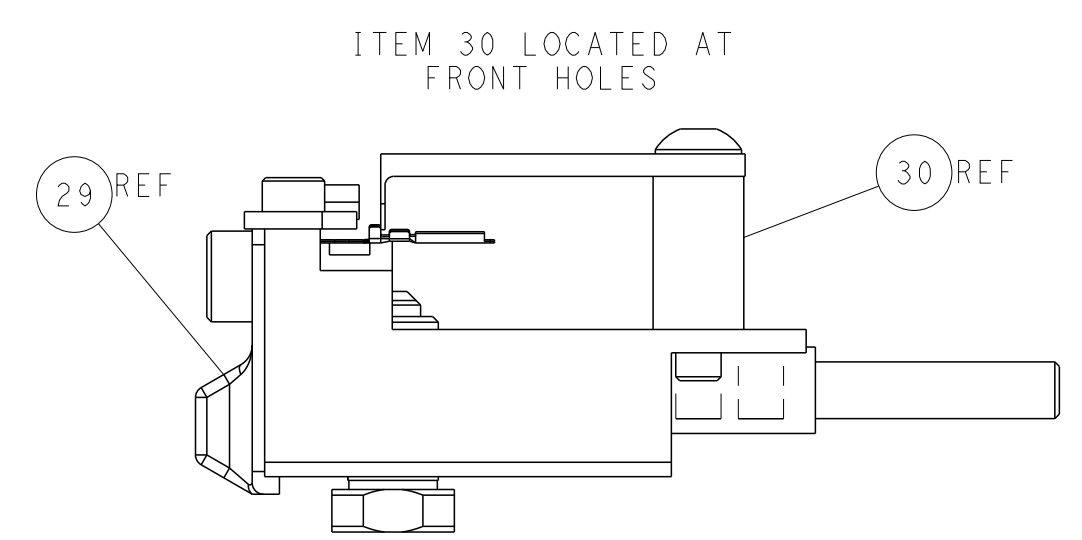
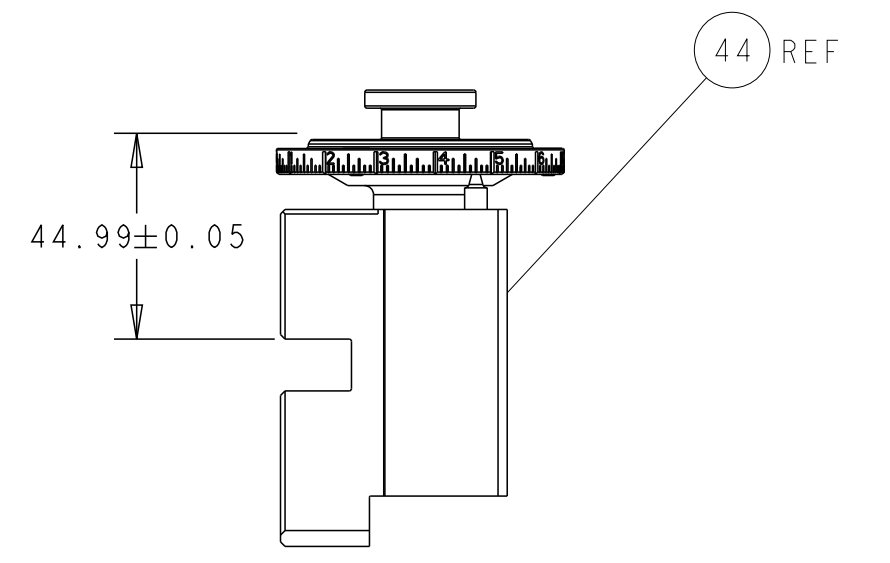
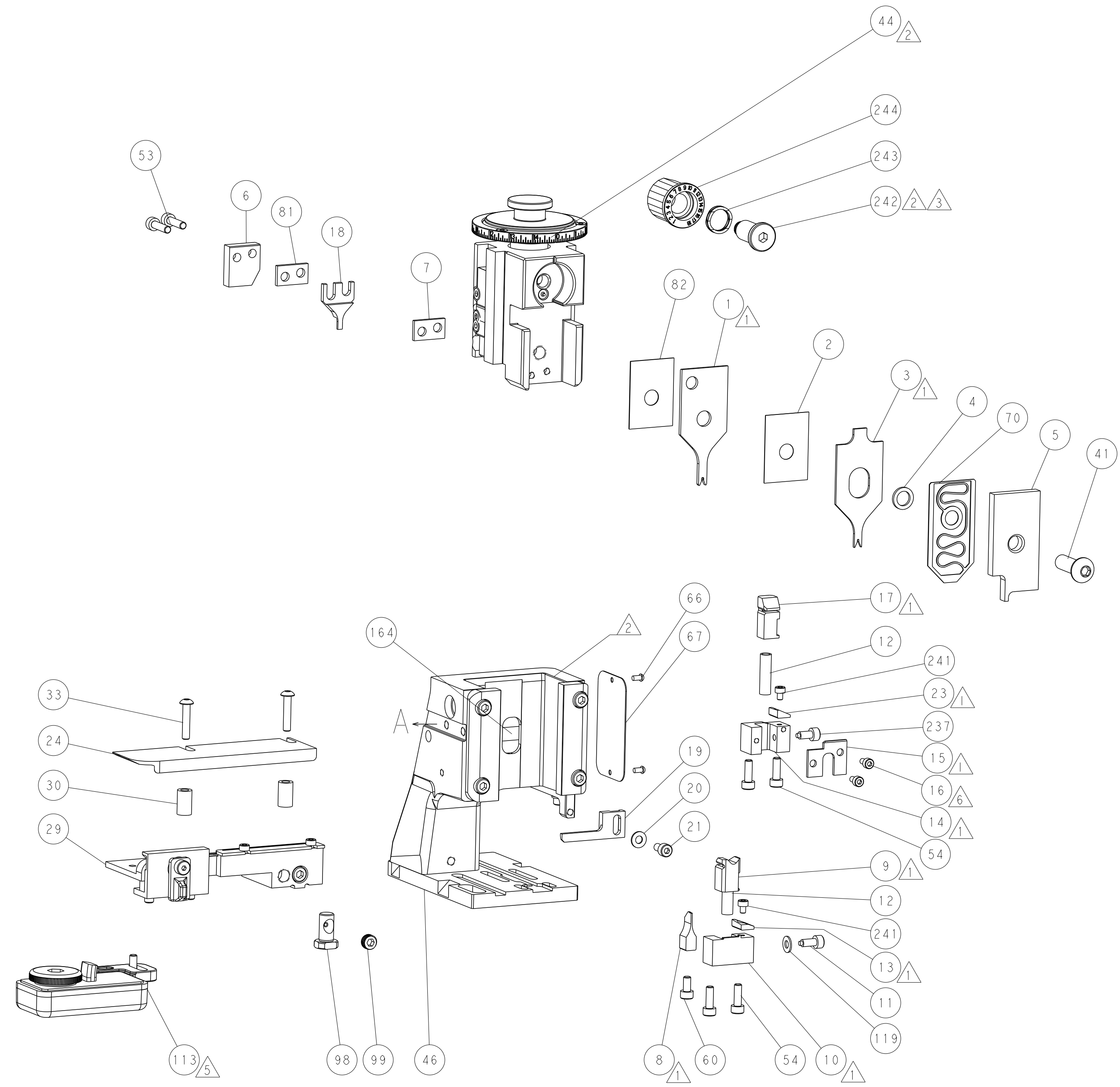
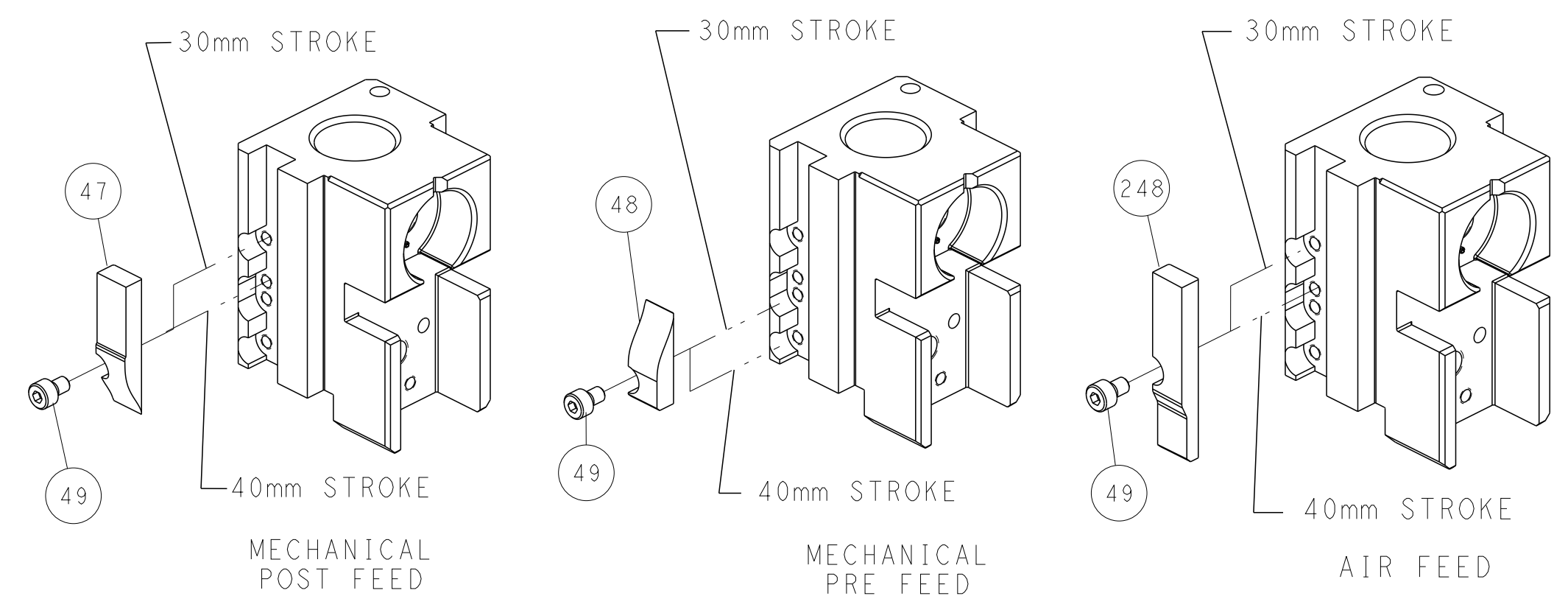
FEED TYPE MECHANICAL



FEED SPRING SETTING POSITION (SHOWN FROM REAR SIDE)



CAM POSITIONS



DIMENSIONS:		TOLERANCES UNLESS OTHERWISE SPECIFIED:		DWG: HOFFNER 03MAR2014		TE Connectivity	
mm	0 PLC ±	1 PLC ±	2 PLC ±	3 PLC ±	4 PLC ±	Harrisburg, PA 17105-3608	
MATERIAL:		FINISH:		APVD: T. ELBIN 04MAR2014		NAME: Ocean Side Feed Applicator	
				PRODUCT SPEC:		SIZE: CAGE CODE: DRAWING NO:	
				APPLICATION SPEC:		RESTRICTED TO:	
				WEIGHT:		A 00779 C=2266233	
				Customer Accessible Production Drawing		SCALE: 1:2 SHEET 2 OF 4 REV: H1	