

PART NUMBER	REVISION	DESCRIPTION	FEED TYPE
2266476-1	B	FINE CRIMP HEIGHT ADJUST	MECHANICAL
2266476-2	B	FINE CRIMP HEIGHT ADJUST	PNEUMATIC
7-2266476-1	B	MECHANICAL AND CRIMP TOOLING KIT	MECHANICAL
7-2266476-2	B	PNEUMATIC AND CRIMP TOOLING KIT	PNEUMATIC
7-2266476-7	A	CRIMP TOOLING KIT	-

ATLANTIC VERSION TERMINATOR INTERFACE ADAPTER



APPLICATOR DATA		
CRIMP	SIZE	TYPE
WIRE	1.07 mm [.042]	F
INSUL	1.40 mm [.055]	O

APPLICATOR INSTRUCTIONS 408-35042

TERMINAL DATA: FCI TERMINAL		FCI CRIMP SPECIFICATION	
TERMINAL NAME: TERMINAL CTW CONTACT			
WIRE STRIP LENGTH	INSULATION DIAMETER RANGE		
2.75-3.25 mm [.108-.128 IN]	Ø0.90-1.50 mm [.035-.059 IN]		
TERMINAL APPLICATION SPECIFICATION	FCI ELECTRONICS TA317 Rev G		
TERMINALS APPLIED			
TE TERMINAL	FCI TERMINAL	TE TERMINAL	FCI TERMINAL
286950-3	76347-303	286950-5	76347-402
286950-4	76347-302	286950-6	76347-403

WIRE SIZE	CRIMP HEIGHT mm [INCH]	CRIMP HEIGHT REFERENCE SETTING
22 AWG	0.87+/-0.04 [.034+/- .002]	7.0
24 AWG	0.84+/-0.04 [.033+/- .002]	7.3
26 AWG	0.69+/-0.04 [.027+/- .002]	9.0
28 AWG	0.66+/-0.04 [.026+/- .002]	9.3
30 AWG	0.66+/-0.04 [.026+/- .002]	9.3

- 1. RECOMMENDED SPARE PARTS
- 2. REFER TO SUPPLIED INSTRUCTION SHEET FOR CLEANING, LUBRICATION AND STORAGE OF APPLICATOR.
- 3. APPLY PART NUMBER 2-23419-6 LOCTITE TO THREADS OF ITEM 242.
- 4. CRIMP HEIGHT REFERENCE SETTING WAS THE SETTING USED WHEN THE APPLICATOR WAS QUALIFIED AT THE FACTORY. ADJUSTMENT MAY BE NECESSARY WHEN RUNNING APPLICATOR IN THE FIELD.
- 5. UNLESS SPECIFIED OTHERWISE TORQUE VALUES SHALL BE USED PER DOCUMENT, 101-35000.

**\*WARNING**  
ON INSTALLATION, SET WIRE DISC TO CRIMP HEIGHT REFERENCE SETTING FOR LARGEST WIRE SIZE. CRIMP HEIGHT REFERENCE SETTINGS GREATER THAN THE VALUE SHOWN MAY CAUSE DAMAGE TO THE CRIMP TOOLING. REFER TO THE INSTRUCTION SHEET FOR PROPER SETUP AND ADJUSTMENTS.

ATLANTIC VERSION  
Shown on sheets 1 of 4 & 2 of 4  
(Pacific version shown on sheets 3 of 4 & 4 of 4)

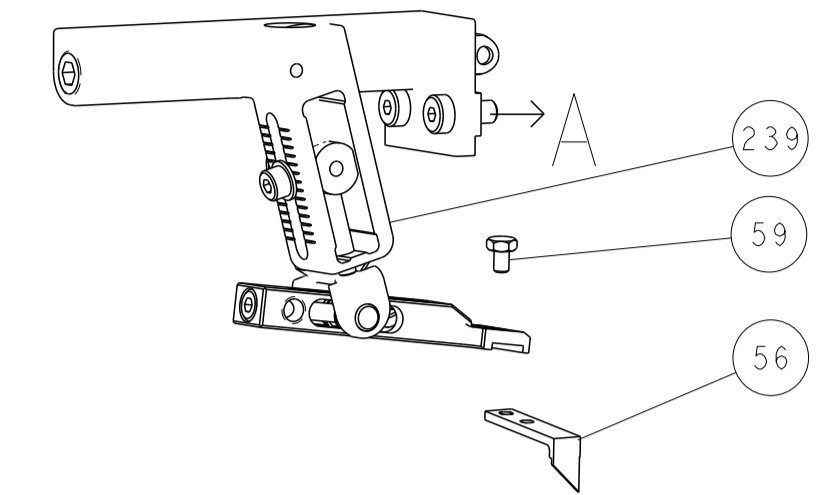
LOC	DIST	REVISIONS					
A	66	P	LTN	DESCRIPTION	DATE	OWN	APVD
		A		RELEASED	30OCT2014	MR	GB
		A1		ECR-17-004102	22MAR2017	MZ	KZ
		B		ECR-19-002968	23FEB2019	TB	CT

-	1	-	1	-	2119640-1	PUSH ROD, AIR FEED	250	
-	1	-	1	-	1803259-1	BUSHING, FLANGED	249	
-	1	-	1	-	2119641-1	FEED CAM, AIR FEED	248	
-	1	1	1	1	2119082-5	CAM, SNAIL, INSULATION ADJUSTMENT	244	
-	1	1	1	1	2079764-1	WASHER, WAVE SPRING, CREST-TO-CREST	243	
-	1	1	1	1	2119083-1	RETAINER, INSULATION DIAL	242	
-	1	1	1	1	7-18023-7	SCR, SKT HD CAP M3 X 4.0	241	
-	-	1	-	-	2119580-1	MECHANICAL FEED ASSEMBLY	239	
-	1	-	1	-	2063440-1	AIR FEED MODULE	238	
-	2	-	2	-	21045-3	RING, RETAIN, EXTERN, 3/16 CRESCENT	172	
-	REF	REF	REF	REF	994970-2	COUNTER, MAGNETIC	164	
-	1	-	1	-	240638-1	SPRING, FEED FINGER	163	
-	1	-	1	-	3-23627-7	PIN, RETAIN, GRVD, 3/16 X .854	137	
-	1	-	1	-	2119799-1	HOLDER, FEED FINGER, AF	136	
-	1	1	1	1	2844908-1	SCREW, LOCKING	99	
-	1	1	1	1	2844907-1	POST, LOCKING	98	
-	1	1	1	1	1-455888-0	SPACER, CRIMPER	82	
-	1	1	1	1	547505-3	SPRING, COMPRESSION	77	
-	1	1	1	1	854769-4	HOLDER, INS	74	
-	1	1	1	1	1803607-1	DOCUMENTATION PACKAGE	71	
-	1	1	1	1	2119791-5	DEPRESSOR, WIRE	70	
-	1	1	1	1	2119740-1	TAG, IDENTIFICATION	67	
-	2	2	2	2	2168078-1	SCREW, DRIVE, RH, RoHS, 2 x .188	66	
-	1	1	1	1	2168083-2	SCR, SKT HD CAP, RoHS, M4 X 8.0	60	
-	1	1	1	1	5-18022-5	SCR, HEX HD CAP, M4 X 6.0	59	
-	1	1	1	1	21028-2	PIN, SLOTTED SPRING .062 X .250	58	
-	1	1	1	1	1338685-1	PAWL, FEED	56	
-	4	4	4	4	2168083-3	SCR, SKT HD CAP, RoHS, M4 X 12.0	54	
-	2	2	2	2	1-2168083-0	SCR, SKT HD CAP, RoHS, M4 X 10	53	
-	1	1	1	1	5018030-1	NUT, HEX, REG, RoHS, M3	52	
-	1	1	1	1	811242-5	BUMPER, HOLD DOWN	51	
-	1	1	1	1	690753-2	SPACER, TONKER	50	
-	1	2	1	2	18023-9	SCR, SKT HD CAP M4 X 6.0	49	
-	-	1	-	-	2119652-1	FEED CAM, PRE FEED	48	
-	-	1	-	-	2119653-1	FEED CAM, POST FEED	47	
-	1	1	1	1	1803583-9	APPLICATOR BASIC ASSEMBLY, SF	46	
-	1	1	1	1	1803515-1	RAM ASSEMBLY, SF ATLANTIC	44	
-	1	1	1	1	1803602-1	SCR, BHSC, RoHS (M8 X 25)	41	
-	1	1	1	1	1752356-1	SUPPORT, TERMINAL	34	
-	2	2	2	2	2079383-5	SCR, BHSC, RoHS (M4 X 20)	33	
-	2	2	2	2	2-2844962-4	SPACER, CYLINDRICAL, STRIP GUIDE	30	
-	1	1	1	1	2844992-1	ASSEMBLY, STRIP GUIDE	29	
-	1	1	1	1	455888-3	SPACER, CRIMPER	28	
-	1	1	1	1	1320928-2	STRIP GUIDE	24	
-	1	1	1	1	2168083-2	SCR, SKT HD CAP, RoHS, M4 X 8.0	21	
-	2	2	2	2	1-18028-2	WASHER, FLAT, REG M4	20	
-	1	1	1	1	2119533-4	STRIPPER, SIDE FEED	19	
-	1	1	1	1	2119806-1	INSERT, SHEAR	13	
-	1	1	1	1	3-22280-3	SPRING, COMPRESSION	12	
-	1	1	1	1	1-356885-4	STOP, SHEAR	11	
-	1	1	1	1	2119805-1	SHEAR HOLDER, FRONT	10	
-	1	1	1	1	1803095-1	FLOATING SHEAR, FRONT	9	
-	1	2	2	1	1	4-1333200-9	ANVIL, COMBINATION	8
-	-	-	-	-	-	-	7	
-	-	-	-	-	-	-	6	
-	1	1	1	1	2119780-9	DEPRESSOR, SHEAR	5	
-	1	1	1	1	2-238011-6	BLOCK, CRIMPER SPACER	4	
-	1	2	2	1	1	5-1803019-1	CRIMPER, INSULATION O	3
-	-	-	-	-	-	-	2	
-	1	2	2	1	1	456401-2	CRIMPER, WIRE .042 F PREMIUM	1
-	77	-72	-71	-2	-1	PART NO	DESCRIPTION	ITEM NO

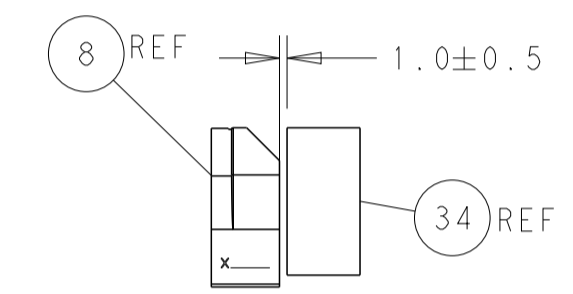
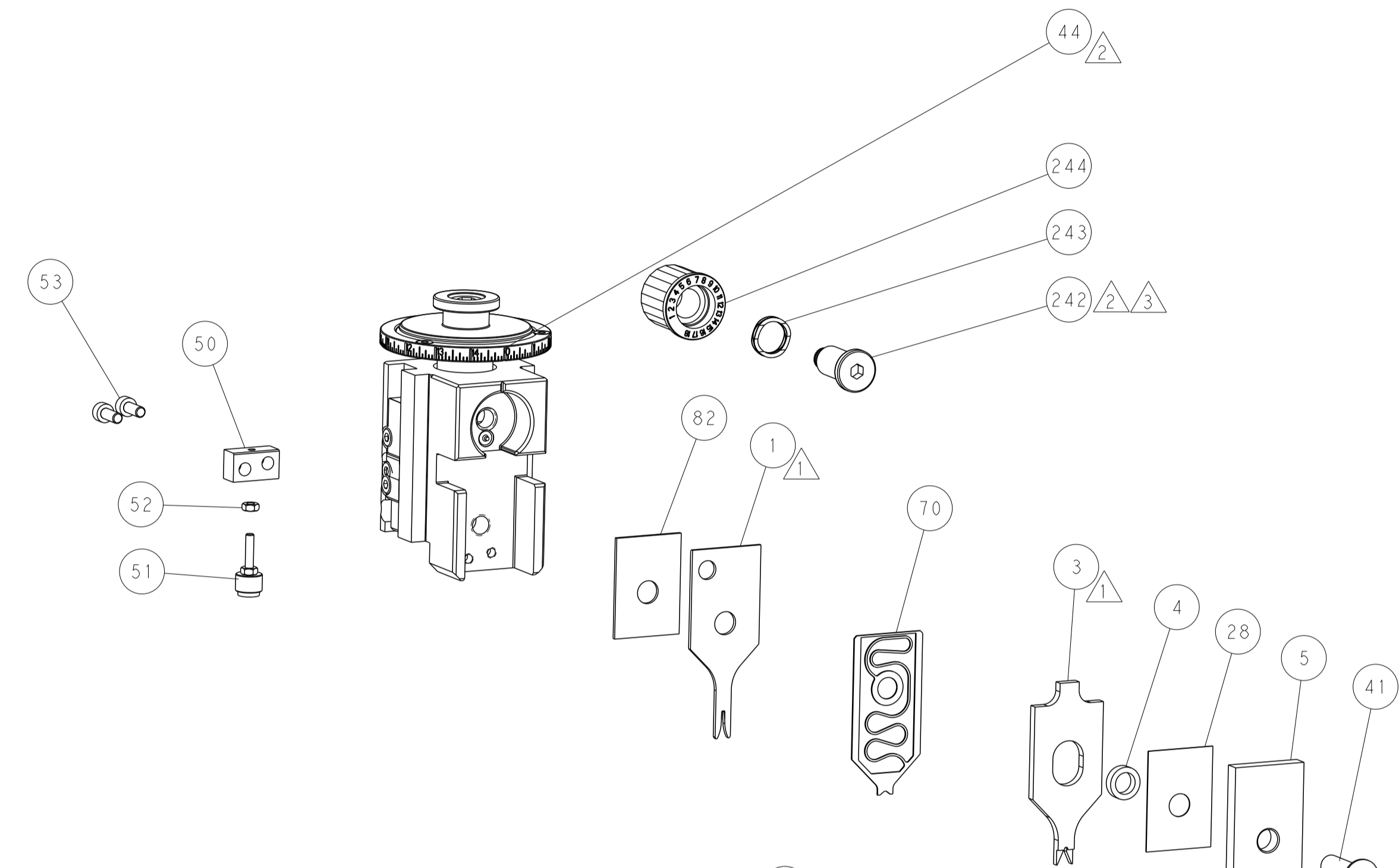
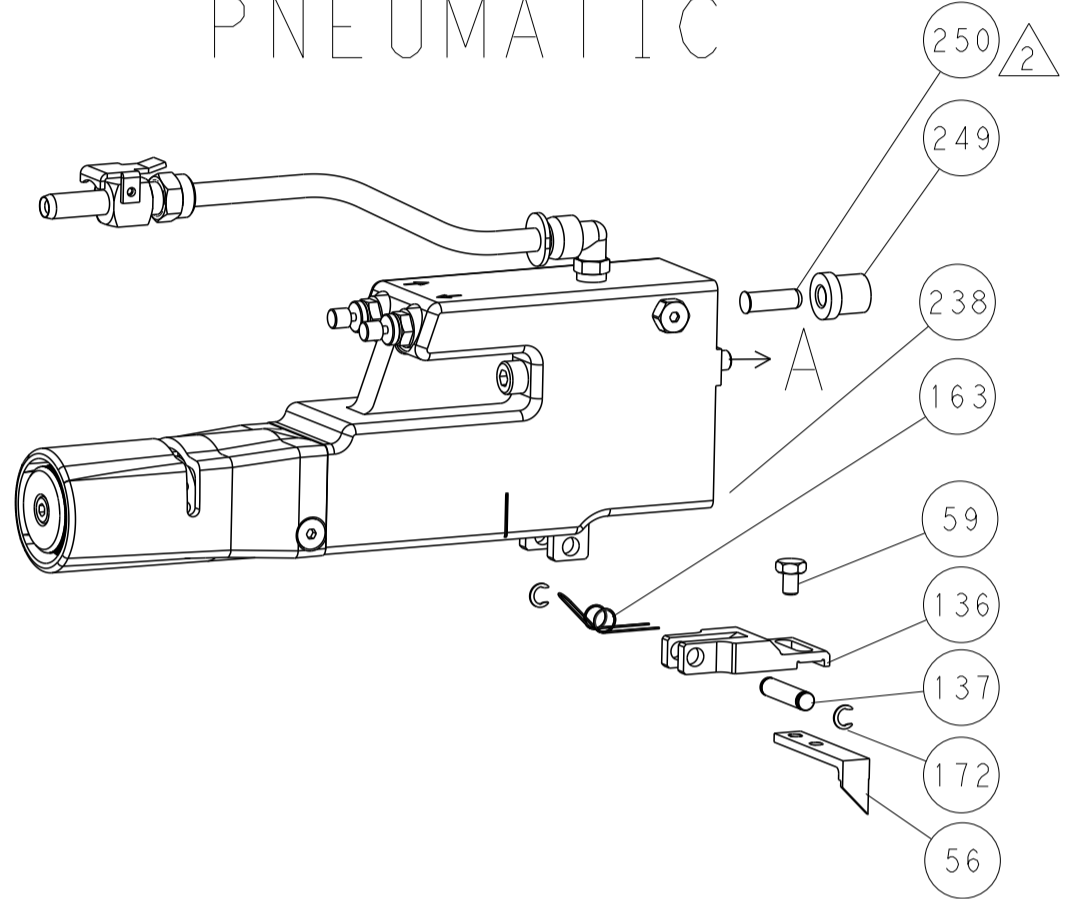
DIMENSIONS:		TOLERANCES UNLESS OTHERWISE SPECIFIED:		DWG: X.ZHAO 22AUG2014		CHK: L.ZHANG 22AUG2014		NAME: Ocean Side Feed Applicator	
mm	0 PLC ±	1 PLC ±	2 PLC ±	3 PLC ±	4 PLC ±	APVD: T.ELBIN 22AUG2014	PRODUCT SPEC	SIZE: A1	CAGE CODE: 00779
MATERIAL:	FINISH:	WEIGHT:	SCALE: 1:2	SHEET: 1	OF: 4	REV: B	Customer Accessible Production Drawing		

LOC	DIST	REV	DATE	BY	APPV
A	66				

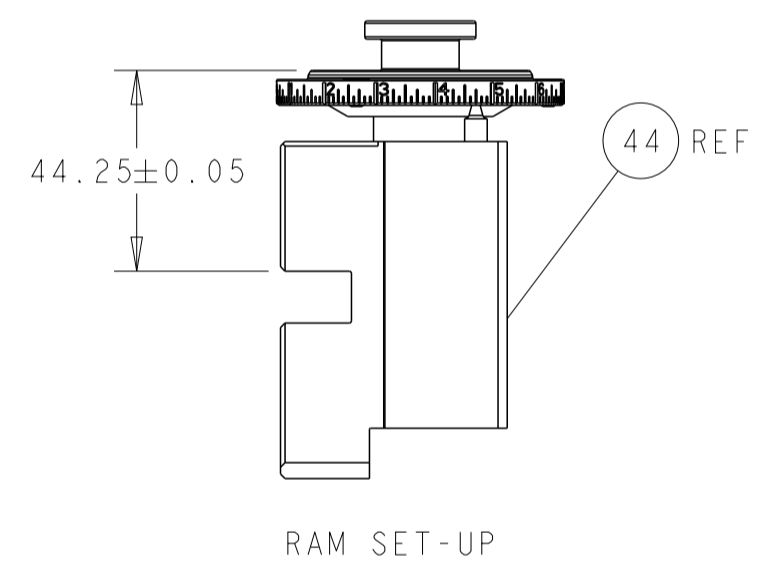
# FEED TYPE MECHANICAL



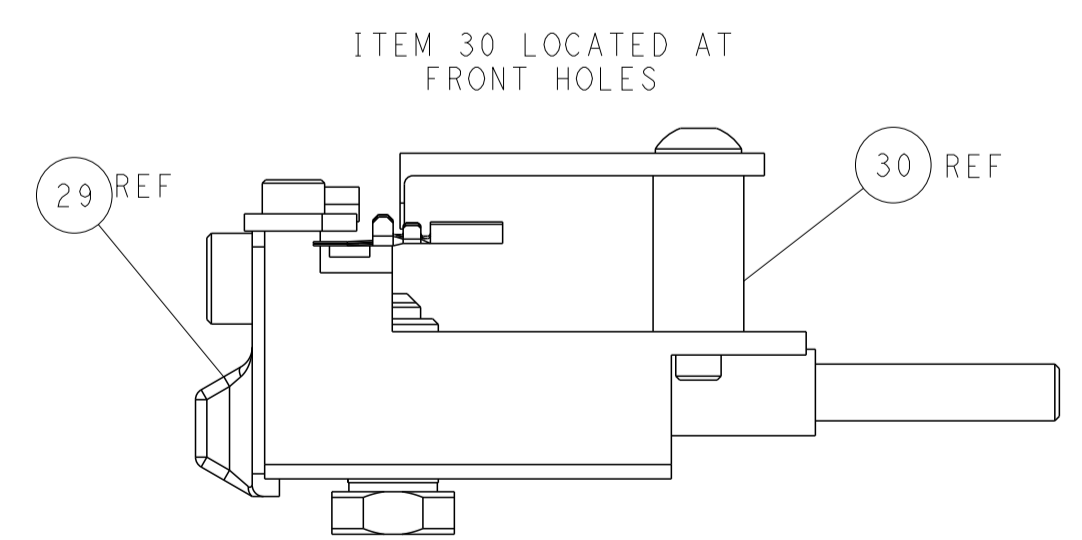
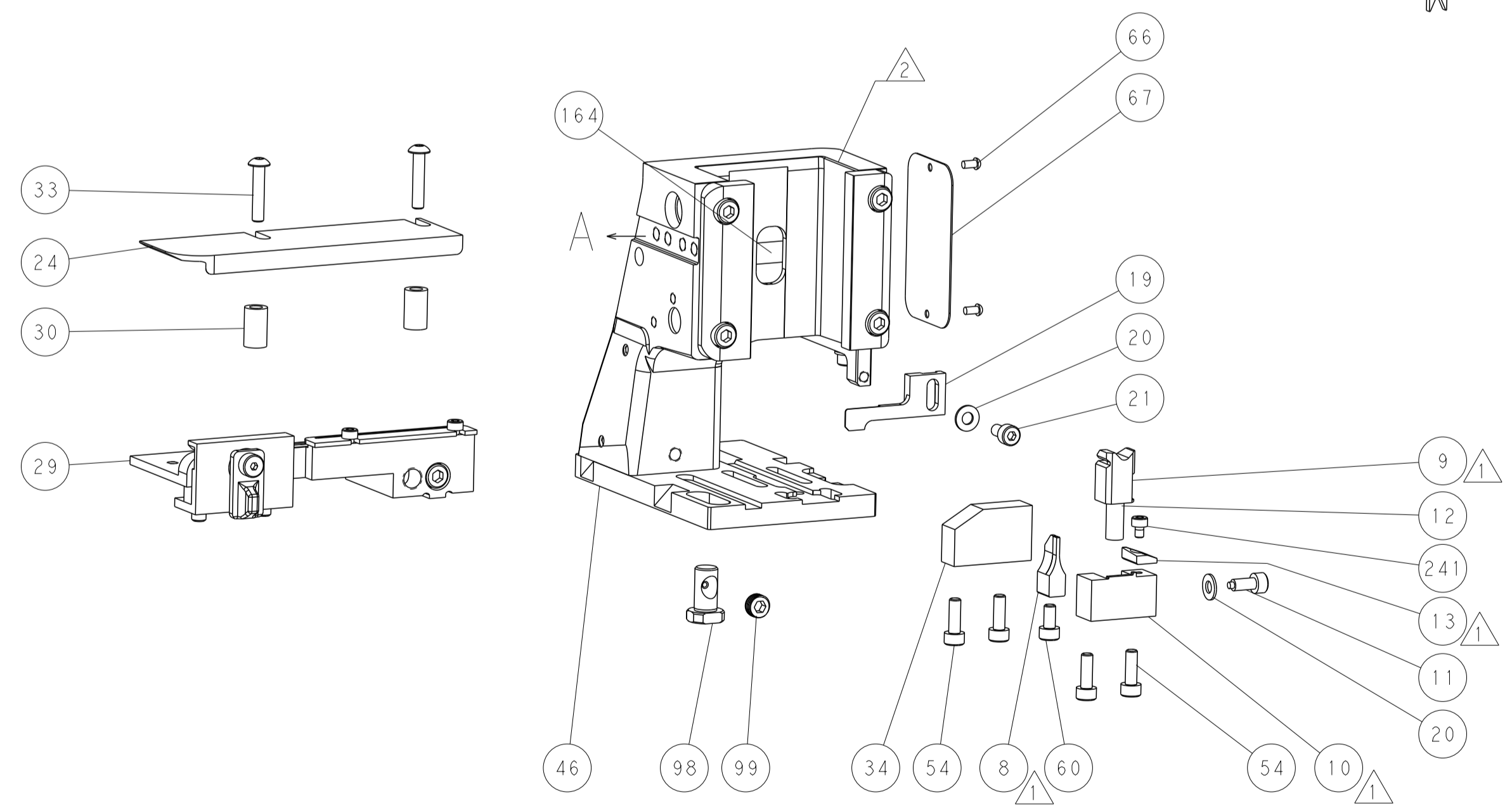
# PNEUMATIC



TERMINAL SUPPORT LOCATION

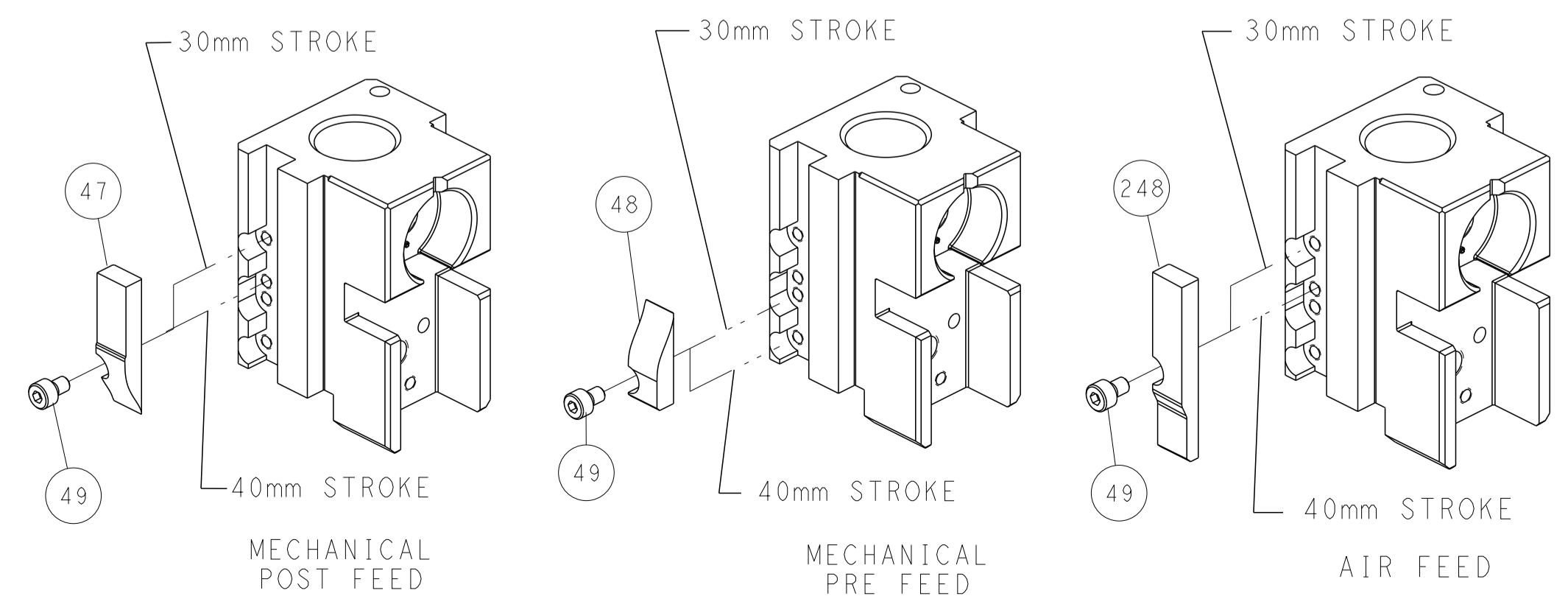


RAM SET-UP



FEED TRACK POSITION GUIDE BY INSULATION BARREL

# CAM POSITIONS



**ATLANTIC VERSION**  
 Shown on sheets 1 of 4 & 2 of 4  
 (Pacific version shown on sheets 3 of 4 & 4 of 4)

DIMENSIONS: mm TOLERANCES UNLESS OTHERWISE SPECIFIED: 0 PLC ± 1 PLC ± 2 PLC ± 3 PLC ± 4 PLC ± ANGLES ± FINISH		DWG: X.ZHAO 22AUG2014 CHK: L.ZHANG 22AUG2014 APVD: J.ELBIN 22AUG2014 NAME: Ocean Side Feed Applicator SIZE: A1 CAGE CODE: 00779 DRAWING NO: 2266476 SCALE: 1:2 SHEET: 2 OF 4 REV: B	REVISIONS - SEE SHEET 1 DATE: - DWN: - APPV: -
---	--	--	--

PART NUMBER	REVISION	DESCRIPTION	FEED TYPE
2-2266476-1	B	FINE CRIMP HEIGHT ADJUST	MECHANICAL
2-2266476-2	B	FINE CRIMP HEIGHT ADJUST	PNEUMATIC
7-2266476-7	A	CRIMP TOOLING KIT	-

PACIFIC VERSION TERMINATOR  
 INTERFACE ADAPTER



APPLICATOR DATA		
CRIMP	SIZE	TYPE
WIRE	1.07 mm [.042]	F
INSUL	1.40 mm [.055]	O
APPLICATOR INSTRUCTIONS 408-35042		

TERMINAL DATA: FCI TERMINAL FCI CRIMP SPECIFICATION	
TERMINAL NAME: TERMINAL CTW CONTACT	
WIRE STRIP LENGTH 2.75-3.25 mm [.108-.128 IN]	INSULATION DIAMETER RANGE Ø0.90-1.50 mm [.035-.059 IN]
TERMINAL APPLICATION SPECIFICATION FCI ELECTRONICS TA317 Rev 6	
TERMINALS APPLIED	
TE TERMINAL	FCI TERMINAL
286950-3	76347-303
286950-4	76347-302
286950-5	76347-402
286950-6	76347-403

WIRE SIZE	CRIMP HEIGHT mm [INCH]	CRIMP HEIGHT REFERENCE SETTING
22 AWG	0.87+/-0.04 [.034+/-0.002]	7.0
24 AWG	0.84+/-0.04 [.033+/-0.002]	7.3
26 AWG	0.69+/-0.04 [.027+/-0.002]	9.0
28 AWG	0.66+/-0.04 [.026+/-0.002]	9.3
30 AWG	0.66+/-0.04 [.026+/-0.002]	9.3

- RECOMMENDED SPARE PARTS
- REFER TO SUPPLIED INSTRUCTION SHEET FOR CLEANING, LUBRICATION AND STORAGE OF APPLICATOR.
- APPLY PART NUMBER 2-23419-6 LOCTITE TO THREADS OF ITEM 242.
- CRIMP HEIGHT REFERENCE SETTING WAS THE SETTING USED WHEN THE APPLICATOR WAS QUALIFIED AT THE FACTORY. ADJUSTMENT MAY BE NECESSARY WHEN RUNNING APPLICATOR IN THE FIELD.
- UNLESS SPECIFIED OTHERWISE TORQUE VALUES SHALL BE USED PER DOCUMENT, 101-35000.

**\*WARNING**  
 ON INSTALLATION, SET WIRE DISC TO CRIMP HEIGHT REFERENCE SETTING FOR LARGEST WIRE SIZE. CRIMP HEIGHT REFERENCE SETTINGS GREATER THAN THE VALUE SHOWN MAY CAUSE DAMAGE TO THE CRIMP TOOLING. REFER TO THE INSTRUCTION SHEET FOR PROPER SETUP AND ADJUSTMENTS.

PACIFIC VERSION  
 Shown on sheets 3 of 4 & 4 of 4  
 (Atlantic version shown on sheets 1 of 4 & 2 of 4)

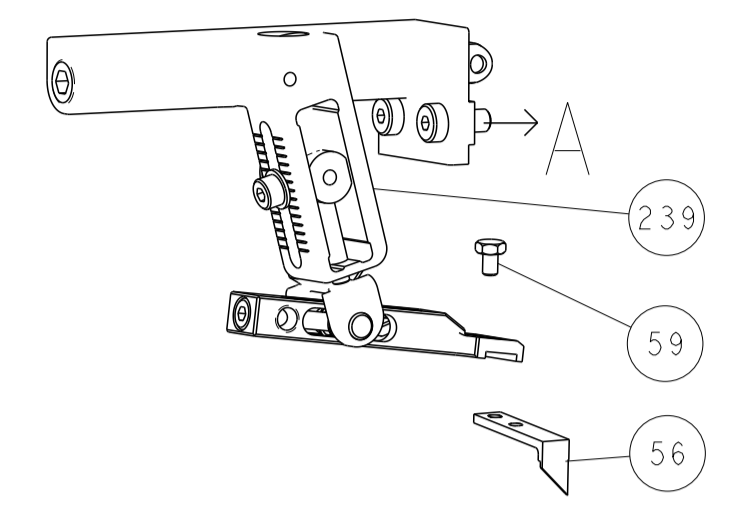
LOC	DIST	REVISIONS					
A	66	P	LTN	DESCRIPTION	DATE	OWN	APVD
-	-	-	-	SEE SHEET 1	-	-	-

-	1	-	2119640-1	PUSH ROD, AIR FEED			250
-	1	-	1803259-1	BUSHING, FLANGED			249
-	1	1	2119082-5	CAM, SNAIL, INSULATION ADJUSTMENT			244
-	1	1	2079764-1	WASHER, WAVE SPRING, CREST-TO-CREST			243
-	1	1	2119083-1	RETAINER, INSULATION DIAL			242
-	1	1	7-18023-7	SCR, SKT HD CAP M3 X 4.0			241
-	-	1	2119580-1	MECHANICAL FEED ASSEMBLY			239
-	1	-	2063440-1	AIR FEED MODULE			238
-	2	-	21045-3	RING, RETAIN, EXTERN, 3/16 CRESCENT			172
-	REF	REF	994970-2	COUNTER, MAGNETIC			164
-	1	-	240638-1	SPRING, FEED FINGER			163
-	1	-	2119641-2	FEED CAM, AIR FEED			151
-	1	1	2168083-8	SCR, SKT HD CAP, RoHS, M4 X 16			144
-	4	4	2168083-9	SCR, SKT HD CAP, RoHS, M4 X 20			143
-	-	1	2119653-2	FEED CAM, POST FEED			142
-	1	1	1-1803583-0	APPLICATOR BASIC ASSEMBLY, SF			141
-	1	1	1803516-1	RAM ASSEMBLY, SF PACIFIC			140
-	1	-	3-23627-7	PIN, RETAIN, GRVD, 3/16 X .854			137
-	1	-	2119799-1	HOLDER, FEED FINGER, AF			136
-	1	1	2844908-1	SCREW, LOCKING			99
-	1	1	2844907-1	POST, LOCKING			98
-	1	1	1-455888-0	SPACER, CRIMPER			82
-	1	1	547505-3	SPRING, COMPRESSION			77
-	1	1	854769-4	HOLDER, INS			74
-	1	1	1803607-1	DOCUMENTATION PACKAGE			71
-	1	1	2119791-5	DEPRESSOR, WIRE			70
-	1	1	2119740-1	TAG, IDENTIFICATION			67
-	2	2	2168078-1	SCREW, DRIVE, RH, RoHS, 2 x .188			66
-	1	1	5-18022-5	SCR, HEX HD CAP, M4 X 6.0			59
-	1	1	21028-2	PIN, SLOTTED SPRING .062 X .250			58
-	1	1	1338685-1	PAWL, FEED			56
-	2	2	1-2168083-0	SCR, SKT HD CAP, RoHS, M4 X 10			53
-	1	1	5018030-1	NUT, HEX, REG, RoHS, M3			52
-	1	1	811242-5	BUMPER, HOLD DOWN			51
-	1	1	690753-2	SPACER, TONKER			50
-	1	2	18023-9	SCR, SKT HD CAP M4 X 6.0			49
-	-	1	2119652-1	FEED CAM, PRE FEED			48
-	1	1	1803602-1	SCR, BHSC, RoHS (M8 X 25)			41
-	1	1	1752356-1	SUPPORT, TERMINAL			34
-	2	2	2079383-5	SCR, BHSC, RoHS (M4 X 20)			33
-	2	2	2-2844962-4	SPACER, CYLINDRICAL, STRIP GUIDE			30
-	1	1	2844992-1	ASSEMBLY, STRIP GUIDE			29
-	1	1	455888-3	SPACER, CRIMPER			28
-	1	1	1320928-2	STRIP GUIDE			24
-	1	1	2168083-2	SCR, SKT HD CAP, RoHS, M4 X 8.0			21
-	2	2	1-18028-2	WASHER, FLAT, REG M4			20
-	1	1	2119533-4	STRIPPER, SIDE FEED			19
-	1	1	2119806-1	INSERT, SHEAR			13
-	1	1	3-22280-3	SPRING, COMPRESSION			12
-	1	1	1-356885-4	STOP, SHEAR			11
-	1	1	2119805-1	SHEAR HOLDER, FRONT			10
-	1	1	1803095-1	FLOATING SHEAR, FRONT			9
-	1	1	1	4-1333200-9	ANVIL, COMBINATION		8
-	-	-	-	-			7
-	-	-	-	-			6
-	1	1	2119780-9	DEPRESSOR, SHEAR			5
-	1	1	2-238011-6	BLOCK, CRIMPER SPACER			4
-	1	1	1	5-1803019-1	CRIMPER, INSULATION O		3
-	-	-	-	-			2
-	1	1	1	456401-2	CRIMPER, WIRE .042 F PREMIUM		1

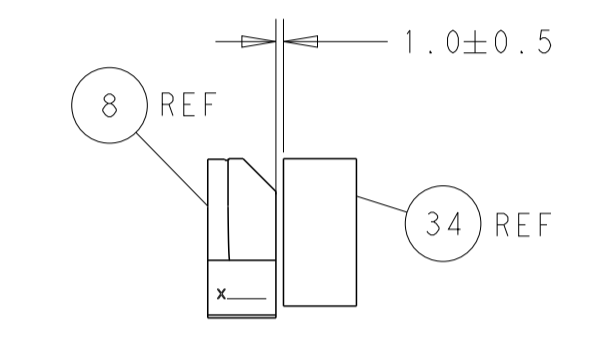
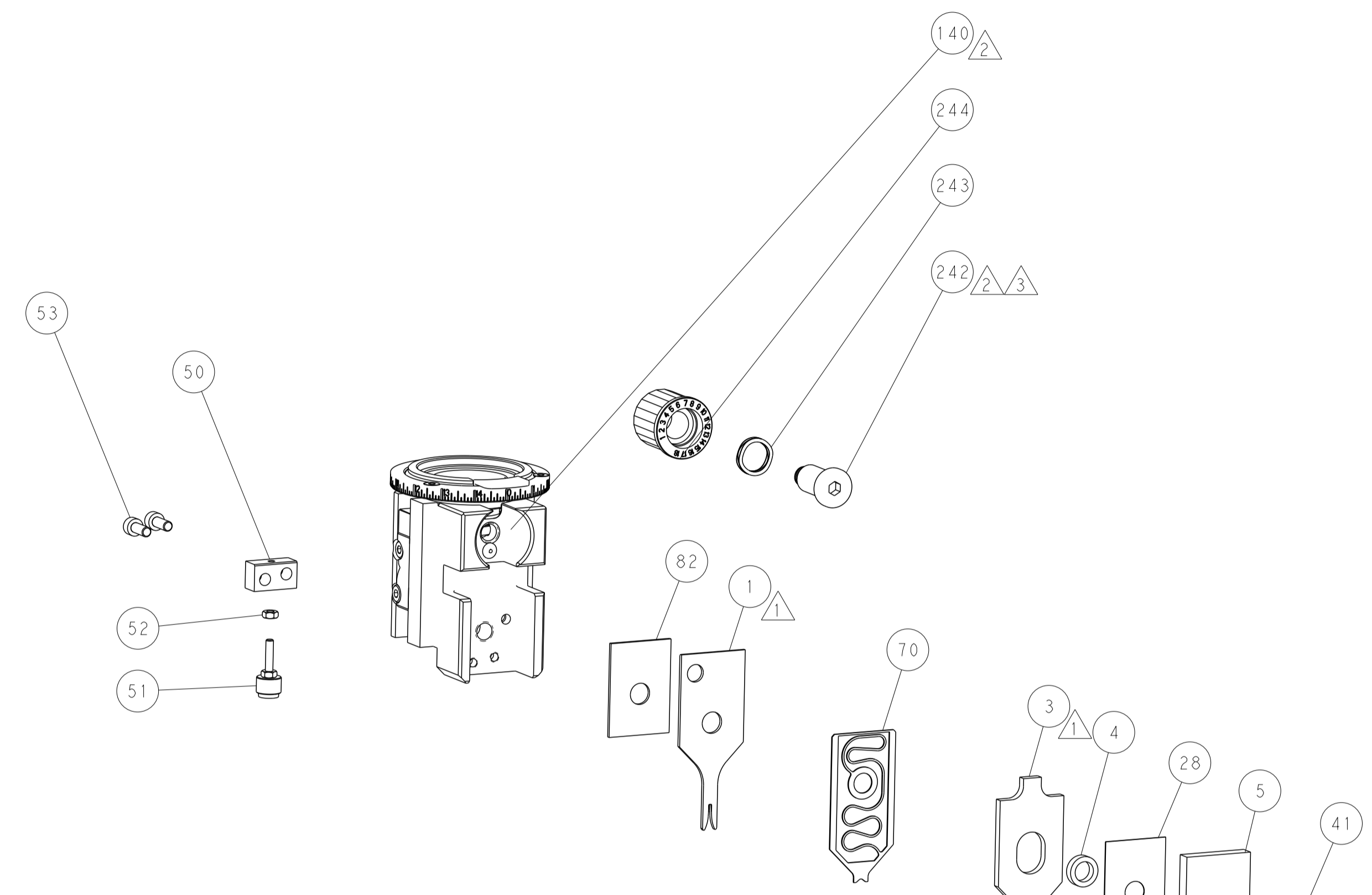
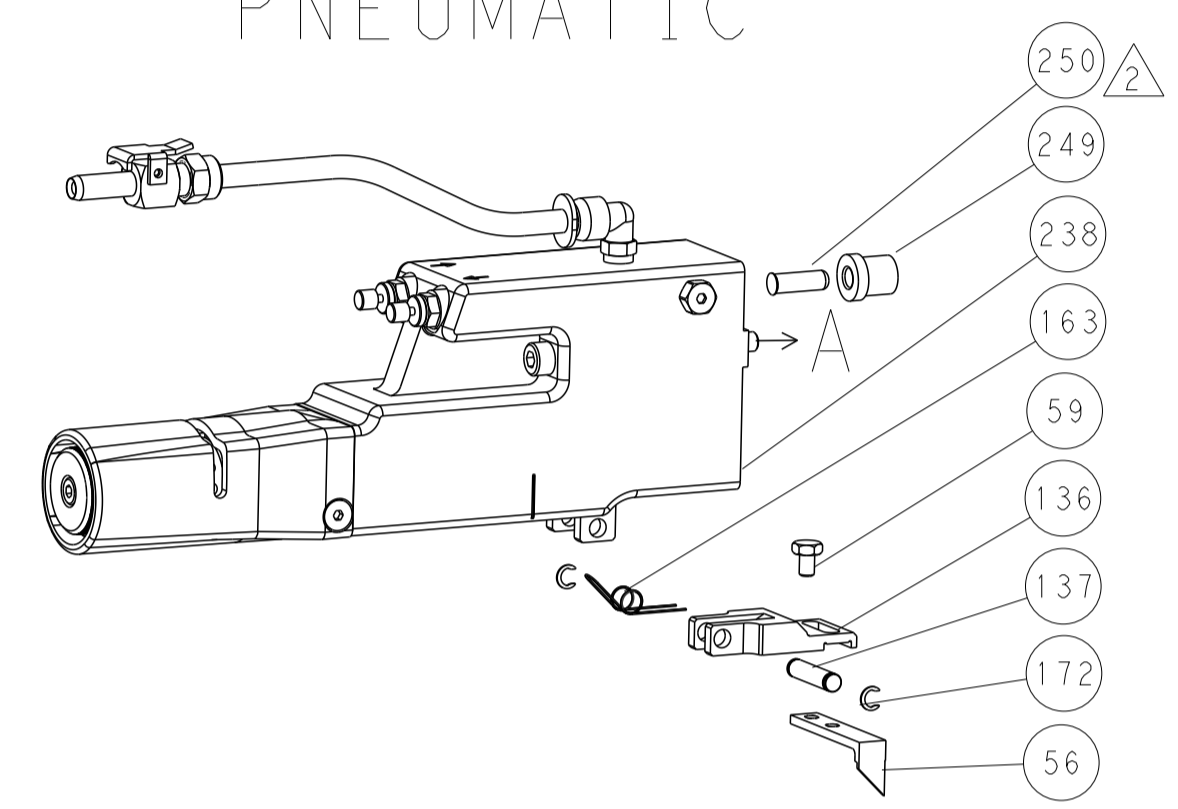
DIMENSIONS: mm 		TOLERANCES UNLESS OTHERWISE SPECIFIED: 0 PLC ± 1 PLC ± 2 PLC ± 3 PLC ± 4 PLC ± ANGLES ± FINISH		DWG: X.ZHAO 22AUG2014 CHK: L.ZHANG 22AUG2014 APVD: T.ELBIN 22AUG2014 PRODUCT SPEC APPLICATION SPEC WEIGHT: - SCALE: 1:2 SHEET 3 OF 4 REV B		NAME: Ocean Side Feed Applicator SIZE: A1 CAGE CODE: 00779 DRAWING NO: C=2266476 RESTRICTED TO: - Customer Accessible Production Drawing	
-----------------------	--	---	--	--	--	---	--

LOC		DIST		REVISIONS			
P	LTN	DESCRIPTION	DATE	OWN	APVD		
-	-	SEE SHEET 1	-	-	-	-	-

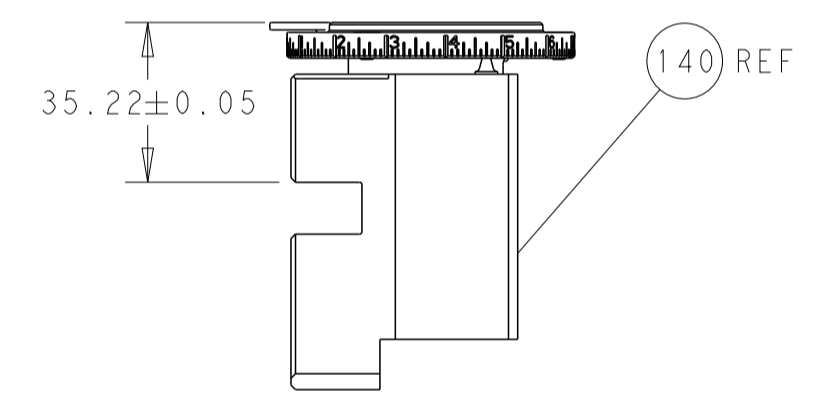
# FEED TYPE MECHANICAL



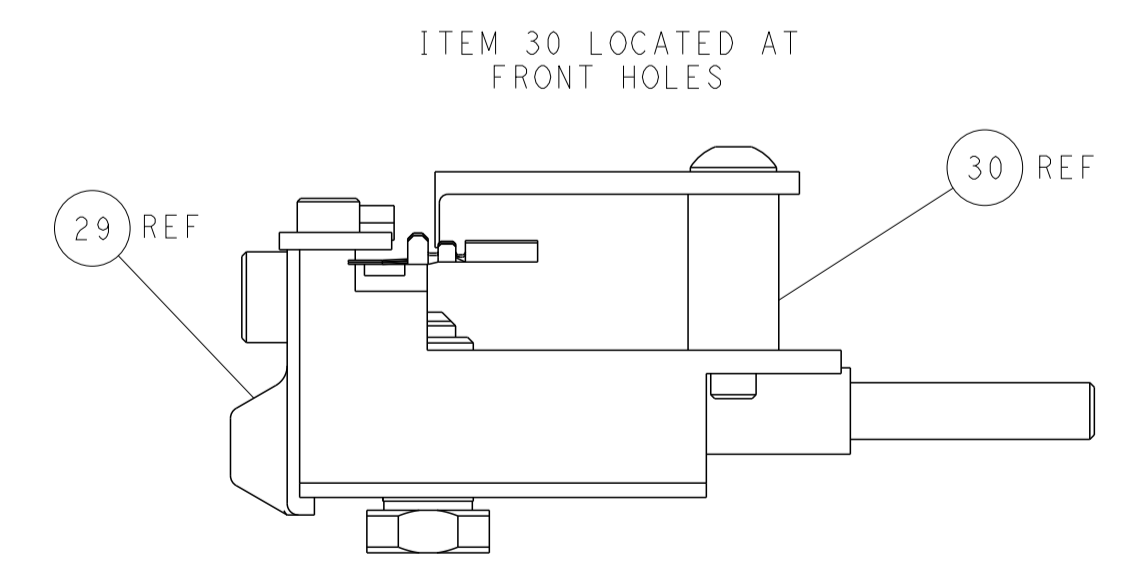
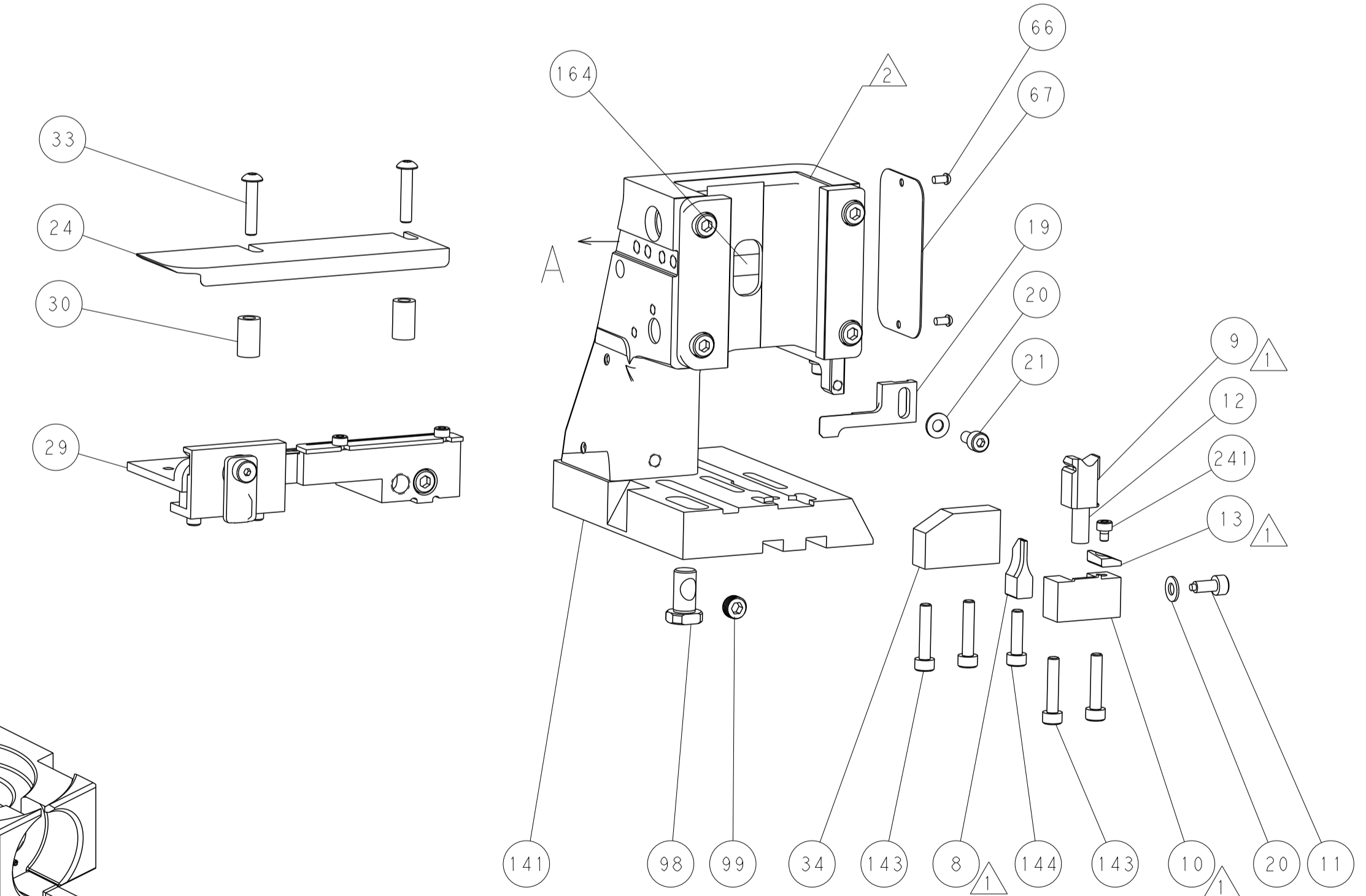
# PNEUMATIC



TERMINAL SUPPORT LOCATION

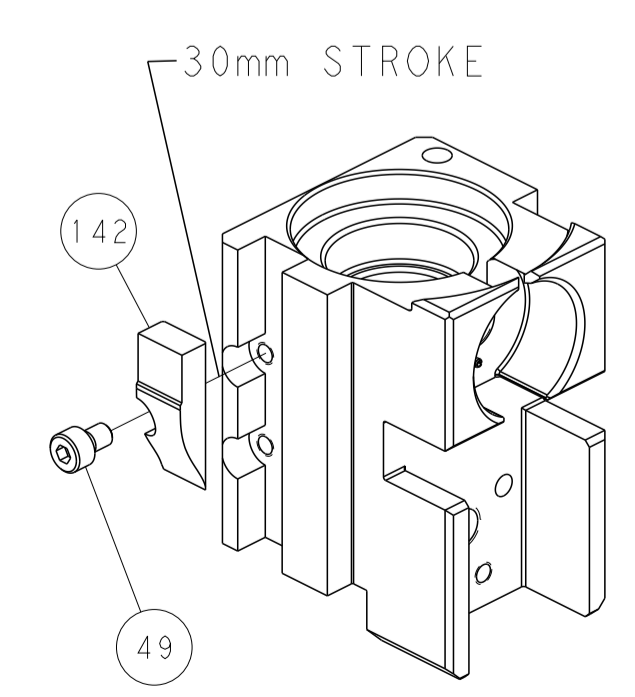


RAM SET-UP

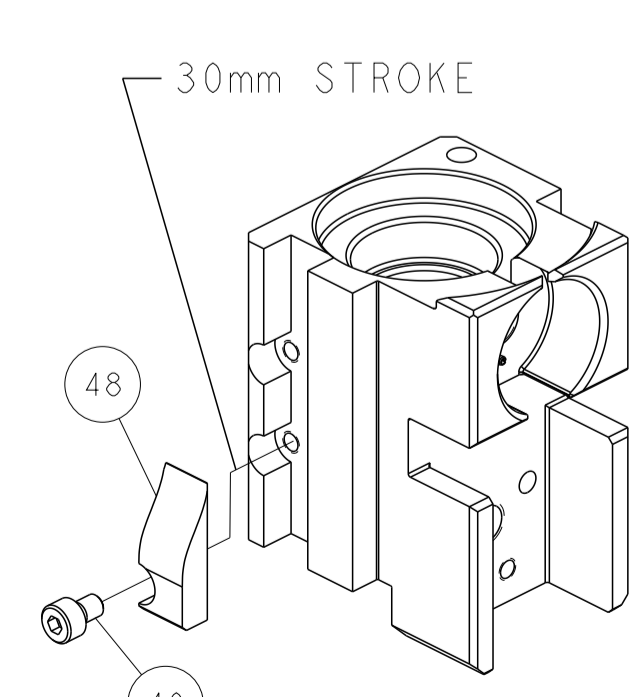


FEED TRACK POSITION GUIDE BY INSULATION BARREL

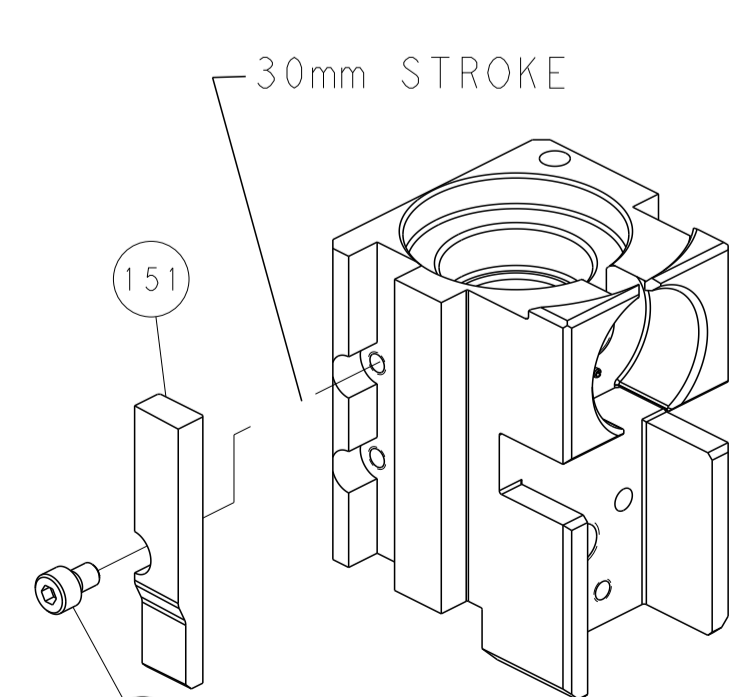
# CAM POSITIONS



MECHANICAL POST FEED



MECHANICAL PRE FEED



AIR FEED

**PACIFIC VERSION**  
 Shown on sheets 3 of 4 & 4 of 4  
 (Atlantic version shown on sheets 1 of 4 & 2 of 4)

DIMENSIONS:		TOLERANCES UNLESS OTHERWISE SPECIFIED:		DWG: X_ZHAO 22AUG2014		CHK: L_ZHANG 22AUG2014		NAME: T_ELBIN 22AUG2014		APVD: T_ELBIN 22AUG2014		TE Connectivity Harrisburg, PA 17105-3608	
mm	0 PLC	±		SIZE	CAGE CODE	DRAWING NO	RESTRICTED TO	Ocean Side Feed Applicator					
	1 PLC	±		SCALE	1:2			Customer Accessible Production Drawing		SHEET 4 OF 4		REV B	
	2 PLC	±		WEIGHT		A1 00779 C=2266476							
	3 PLC	±											
	4 PLC	±											
	ANGLES	±											
	FINISH	±											