

| PART NUMBER | REVISION | DESCRIPTION | FEED TYPE |
|-------------|----------|----------------------------------|------------|
| 2266488-1 | B | FINE CRIMP HEIGHT ADJUST | MECHANICAL |
| 2266488-2 | B | FINE CRIMP HEIGHT ADJUST | PNEUMATIC |
| 7-2266488-1 | B | MECHANICAL AND CRIMP TOOLING KIT | MECHANICAL |
| 7-2266488-2 | B | PNEUMATIC AND CRIMP TOOLING KIT | PNEUMATIC |
| 7-2266488-7 | A | CRIMP TOOLING KIT | - |

ATLANTIC VERSION TERMINATOR INTERFACE ADAPTER

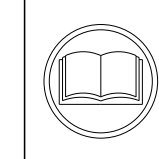


| APPLICATOR DATA | | |
|-----------------|----------------|------|
| CRIMP | SIZE | TYPE |
| WIRE | 1.78 mm [.070] | F |
| INSUL | 2.03 mm [.080] | O |

APPLICATOR INSTRUCTIONS
408-35042

| TERMINAL DATA: SURE SEAL TERMINAL TE CRIMP SPECIFICATION | | | |
|--|-----------------------------|-------------|--------------------|
| TERMINAL NAME: TERMINAL | | | |
| WIRE STRIP LENGTH | INSULATION DIAMETER RANGE | | |
| 3.00-3.30 mm [.118-.130 IN] | Ø 1.47 mm MAX [.058 IN MAX] | | |
| TERMINAL APPLICATION SPECIFICATION | NONE | | |
| TERMINALS APPLIED | | | |
| TE TERMINAL | SURE SEAL TERMINAL | TE TERMINAL | SURE SEAL TERMINAL |
| 2113581-1 | 121348-0100 | 2113584-1 | 121347-0100 |

| WIRE SIZE | CRIMP HEIGHT mm [INCH] | CRIMP HEIGHT REFERENCE SETTING |
|-----------|-------------------------------|--------------------------------|
| 18 AWG | 1.05 +/- 0.05 [.041 +/- .002] | 6.7 |
| 20 AWG | 0.94 +/- 0.05 [.037 +/- .002] | 8.1 |



- 1 RECOMMENDED SPARE PARTS
- 2 REFER TO SUPPLIED INSTRUCTION SHEET FOR CLEANING, LUBRICATION AND STORAGE OF APPLICATOR.
- 3 APPLY PART NUMBER 2-23419-6 LOCTITE TO THREADS OF ITEM 242.
- 4 CRIMP HEIGHT REFERENCE SETTING WAS THE SETTING USED WHEN THE APPLICATOR WAS QUALIFIED AT THE FACTORY. ADJUSTMENT MAY BE NECESSARY WHEN RUNNING APPLICATOR IN THE FIELD.
- 5. UNLESS SPECIFIED OTHERWISE TORQUE VALUES SHALL BE USED PER DOCUMENT, 101-35000.

***WARNING**
ON INSTALLATION, SET WIRE DISC TO CRIMP HEIGHT REFERENCE SETTING FOR LARGEST WIRE SIZE. CRIMP HEIGHT REFERENCE SETTINGS GREATER THAN THE VALUE SHOWN MAY CAUSE DAMAGE TO THE CRIMP TOOLING. REFER TO THE INSTRUCTION SHEET FOR PROPER SETUP AND ADJUSTMENTS.

ATLANTIC VERSION
Shown on sheets 1 of 4 & 2 of 4
(Pacific version shown on sheets 3 of 4 & 4 of 4)

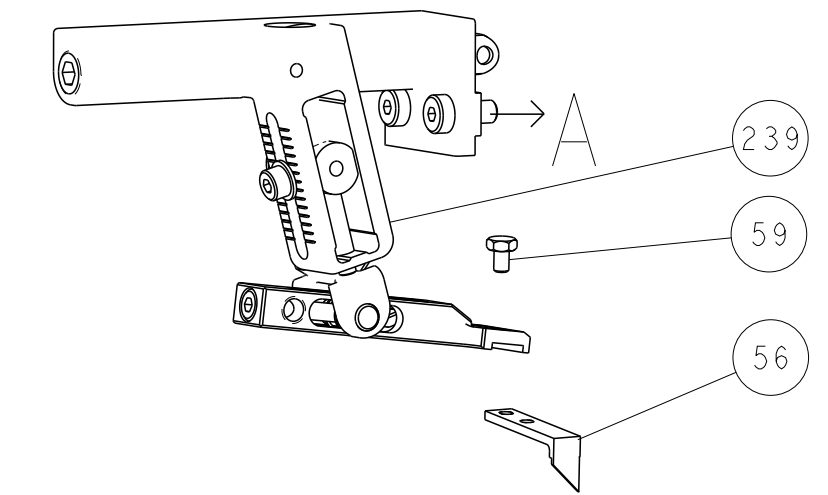
| LOC | DIST | REVISIONS | | | | | |
|-----|------|-----------|-----|---------------|-----------|-----|------|
| | | P | LTN | DESCRIPTION | DATE | OWN | APVD |
| A | 66 | 1 | | DEVELOPMENT | 03SEP2014 | YY | UG |
| | | A | | RELEASED | 03NOV2014 | YY | UG |
| | | B | | ECR-19-001846 | 04FEB2019 | TB | CT |

| | | | | | | | | |
|---|-----|-----|-----|-----|-------------|-------------------------------------|-------------------------------|---------|
| - | 1 | - | 1 | - | 2119640-1 | PUSH ROD, AIR FEED | 250 | |
| - | 1 | - | 1 | - | 1803259-1 | BUSHING, FLANGED | 249 | |
| - | 1 | - | 1 | - | 2119641-1 | FEED CAM, AIR FEED | 248 | |
| - | 1 | 1 | 1 | 1 | 2119082-4 | CAM, SNAIL, INSULATION ADJUSTMENT | 244 | |
| - | 1 | 1 | 1 | 1 | 2079764-1 | WASHER, WAVE SPRING, CREST-TO-CREST | 243 | |
| - | 1 | 1 | 1 | 1 | 2119083-1 | RETAINER, INSULATION DIAL | 242 | |
| - | 1 | 1 | 1 | 1 | 7-18023-7 | SCR, SKT HD CAP M3 X 4.0 | 241 | |
| - | - | 1 | - | 1 | 2119580-1 | MECHANICAL FEED ASSEMBLY | 239 | |
| - | 1 | - | 1 | - | 2063440-1 | AIR FEED MODULE | 238 | |
| - | 2 | - | 2 | - | 21045-3 | RING, RETAIN, EXTERN, 3/16 CRESCENT | 172 | |
| - | REF | REF | REF | REF | 994970-2 | COUNTER, MAGNETIC | 164 | |
| - | 1 | - | 1 | - | 240638-1 | SPRING, FEED FINGER | 163 | |
| - | 1 | - | 1 | - | 3-23627-7 | PIN, RETAIN, GRVD, 3/16 X .854 | 137 | |
| - | 1 | - | 1 | - | 2119799-1 | HOLDER, FEED FINGER, AF | 136 | |
| - | 1 | 1 | 1 | 1 | 2844908-1 | SCREW, LOCKING | 99 | |
| - | 1 | 1 | 1 | 1 | 2844907-1 | POST, LOCKING | 98 | |
| - | 1 | 1 | 1 | 1 | 455888-5 | SPACER, CRIMPER | 82 | |
| - | 1 | 1 | 1 | 1 | 5-547505-2 | SPRING, COMPRESSION | 77 | |
| - | 1 | 1 | 1 | 1 | 854769-4 | HOLDER, INS | 74 | |
| - | 1 | 1 | 1 | 1 | 1803607-1 | DOCUMENTATION PACKAGE | 71 | |
| - | 1 | 1 | 1 | 1 | 2119740-1 | TAG, IDENTIFICATION | 67 | |
| - | 2 | 2 | 2 | 2 | 2168078-1 | SCREW, DRIVE, RH, RoHS, 2 x .188 | 66 | |
| - | 1 | 1 | 1 | 1 | 2168083-2 | SCR, SKT HD CAP, RoHS, M4 X 8.0 | 60 | |
| - | 1 | 1 | 1 | 1 | 5-18022-5 | SCR, HEX HD CAP, M4 X 6.0 | 59 | |
| - | 1 | 1 | 1 | 1 | 21028-2 | PIN, SLOTTED SPRING .062 X .250 | 58 | |
| - | 1 | 1 | 1 | 1 | 1338685-1 | PAWL, FEED | 56 | |
| - | 4 | 4 | 4 | 4 | 2168083-3 | SCR, SKT HD CAP, RoHS, M4 X 12.0 | 54 | |
| - | 2 | 2 | 2 | 2 | 1-2168083-0 | SCR, SKT HD CAP, RoHS, M4 X 10 | 53 | |
| - | 1 | 1 | 1 | 1 | 5018030-1 | NUT, HEX, REG, RoHS, M3 | 52 | |
| - | 1 | 1 | 1 | 1 | 811242-5 | BUMPER, HOLD DOWN | 51 | |
| - | 1 | 1 | 1 | 1 | 690753-2 | SPACER, TONKER | 50 | |
| - | 1 | 2 | 1 | 2 | 18023-9 | SCR, SKT HD CAP M4 X 6.0 | 49 | |
| - | - | 1 | - | 1 | 2119652-1 | FEED CAM, PRE FEED | 48 | |
| - | - | 1 | - | 1 | 2119653-1 | FEED CAM, POST FEED | 47 | |
| - | 1 | 1 | 1 | 1 | 1803583-9 | APPLICATOR BASIC ASSEMBLY, SF | 46 | |
| - | 1 | 1 | 1 | 1 | 1803515-1 | RAM ASSEMBLY, SF ATLANTIC | 44 | |
| - | 1 | 1 | 1 | 1 | 1803602-1 | SCR, BHSC, RoHS (M8 X 25) | 41 | |
| - | 1 | 1 | 1 | 1 | 3-1752356-3 | SUPPORT, TERMINAL | 34 | |
| - | 2 | 2 | 2 | 2 | 2079383-5 | SCR, BHSC, RoHS (M4 X 20) | 33 | |
| - | 2 | 2 | 2 | 2 | 2-2844962-6 | SPACER, CYLINDRICAL, STRIP GUIDE | 30 | |
| - | 1 | 1 | 1 | 1 | 2844992-1 | ASSEMBLY, STRIP GUIDE | 29 | |
| - | 1 | 1 | 1 | 1 | 455888-3 | SPACER, CRIMPER | 28 | |
| - | 1 | 1 | 1 | 1 | 1320928-2 | STRIP GUIDE | 24 | |
| - | 1 | 1 | 1 | 1 | 2168083-2 | SCR, SKT HD CAP, RoHS, M4 X 8.0 | 21 | |
| - | 2 | 2 | 2 | 2 | 1-18028-2 | WASHER, FLAT, REG M4 | 20 | |
| - | 1 | 1 | 1 | 1 | 2119533-1 | STRIPPER, SIDE FEED | 19 | |
| - | 1 | 1 | 1 | 1 | 2119806-1 | INSERT, SHEAR | 13 | |
| - | 1 | 1 | 1 | 1 | 3-22280-3 | SPRING, COMPRESSION | 12 | |
| - | 1 | 1 | 1 | 1 | 1-356885-4 | STOP, SHEAR | 11 | |
| - | 1 | 1 | 1 | 1 | 2119805-1 | SHEAR HOLDER, FRONT | 10 | |
| - | 1 | 1 | 1 | 1 | 1803095-1 | FLOATING SHEAR, FRONT | 9 | |
| - | 1 | 2 | 2 | 1 | 1 | 3-1633919-5 | ANVIL, COMBINATION | 8 |
| - | - | - | - | - | - | - | 7 | |
| - | - | - | - | - | - | - | 6 | |
| - | 1 | 1 | 1 | 1 | 2119780-6 | DEPRESSOR, SHEAR | 5 | |
| - | 1 | 1 | 1 | 1 | 1-238011-8 | BLOCK, CRIMPER SPACER | 4 | |
| - | 1 | 2 | 2 | 1 | 1 | 2-2119784-2 | CRIMPER, INSULATION O PREMIUM | 3 |
| - | 1 | 1 | 1 | 1 | 455888-4 | SPACER, CRIMPER | 2 | |
| - | 1 | 2 | 2 | 1 | 1 | 456404-5 | CRIMPER, WIRE PREMIUM | 1 |
| - | 77 | -72 | -71 | -2 | -1 | PART NO | DESCRIPTION | ITEM NO |

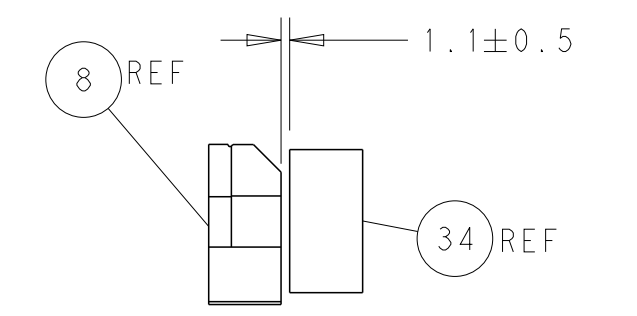
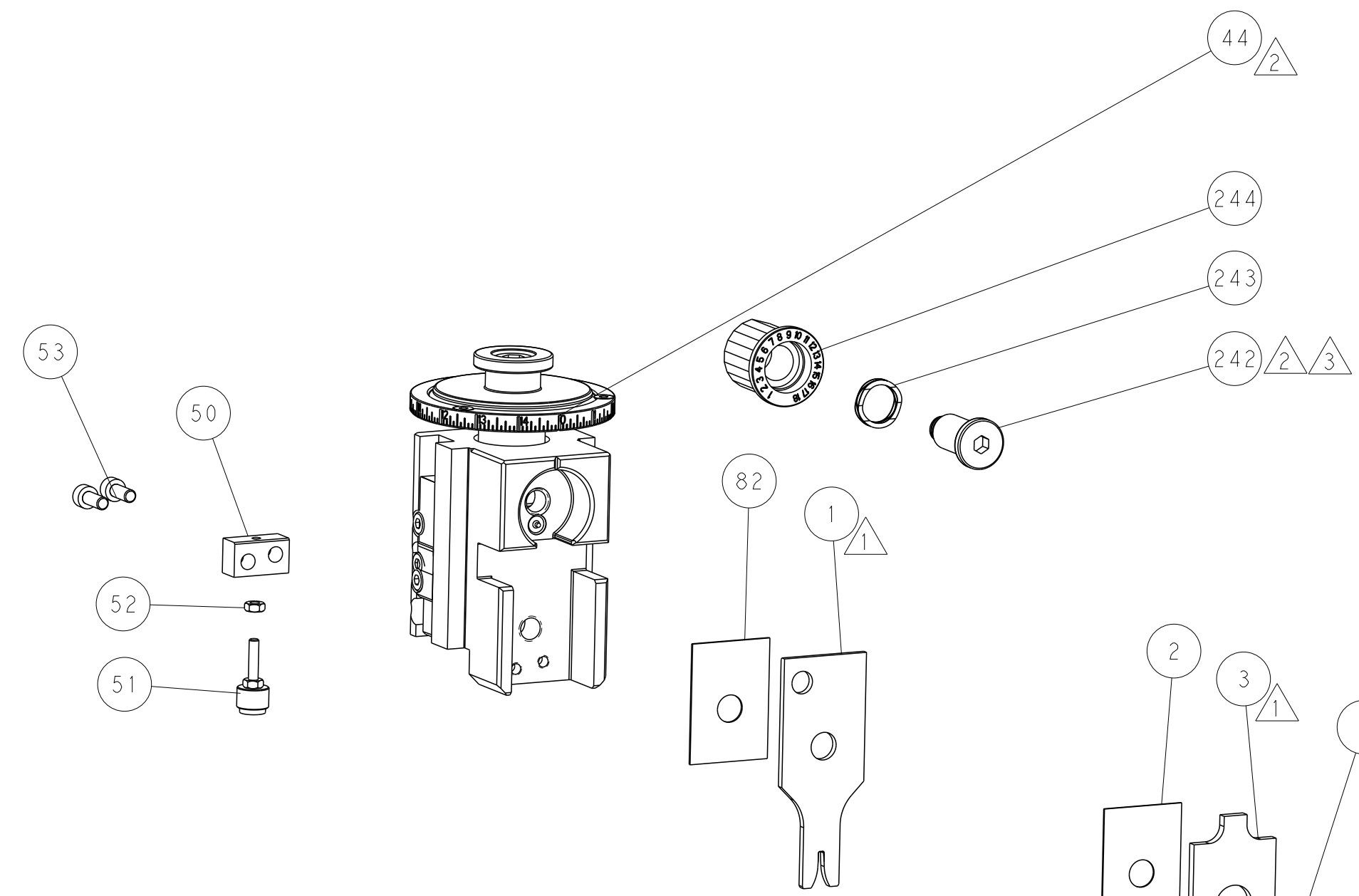
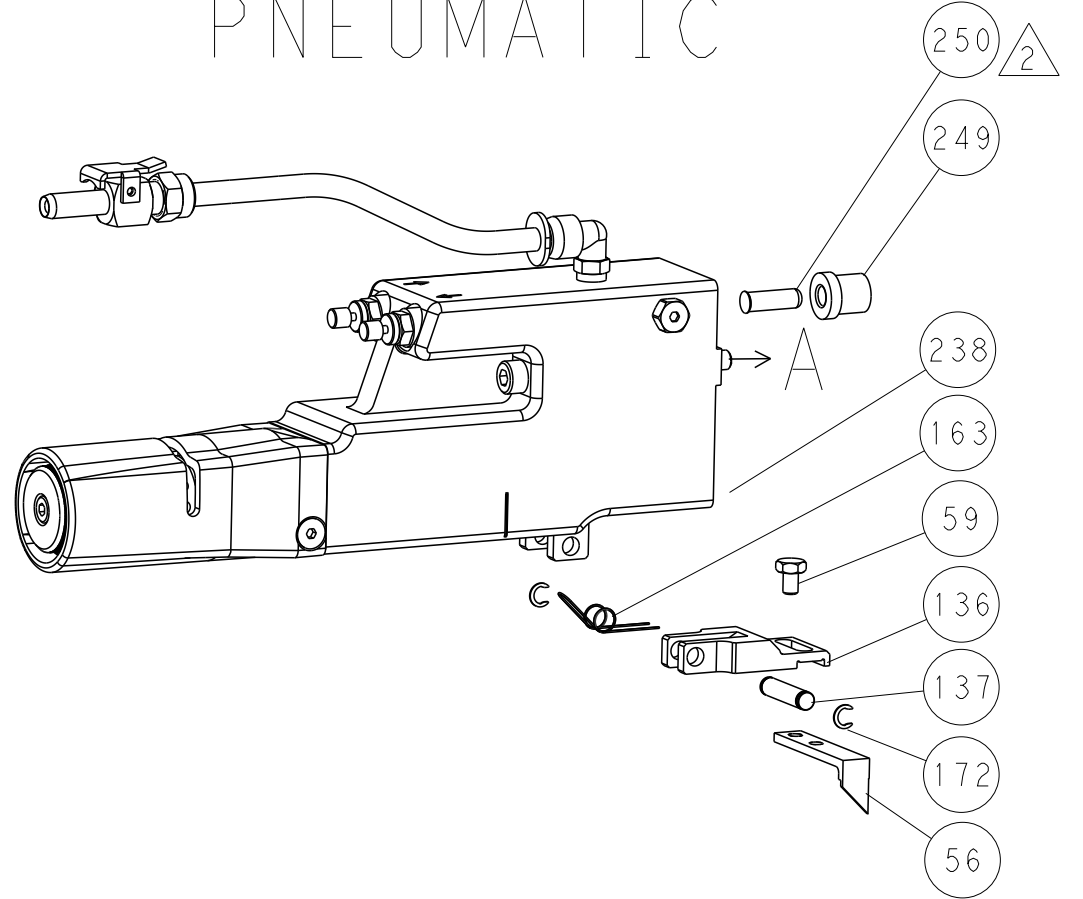
| DIMENSIONS: | | TOLERANCES UNLESS OTHERWISE SPECIFIED: | | DRAWING NO | | SCALE | | SHEET | | REV | |
|-------------|---------|--|---------|------------|---------|-----------|-----|-----------|----|--|---|
| mm | 0 PLC ± | 1 PLC ± | 2 PLC ± | 3 PLC ± | 4 PLC ± | 03SEP2014 | 1:2 | 1 | of | 4 | B |
| MATERIAL: | | FINISH: | | WEIGHT: | | A1 00779 | | C=2266488 | | Customer Accessible Production Drawing | |

| LOC | | DIST | | REVISONS | | | |
|-----|----|------|-----|-------------|------|-----|------|
| A | 66 | P | LYN | DESCRIPTION | DATE | OWN | APVD |
| | | - | | SEE SHEET 1 | | | |
| | | | | | | | |
| | | | | | | | |

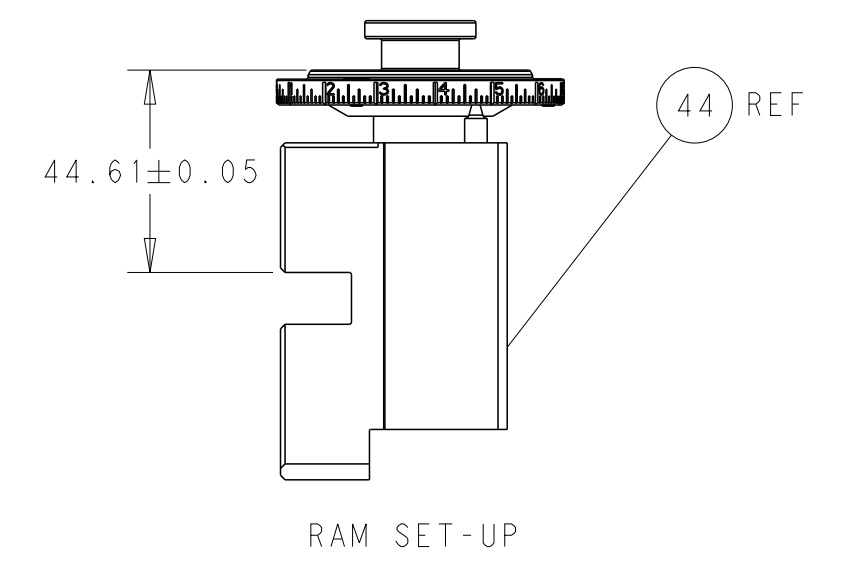
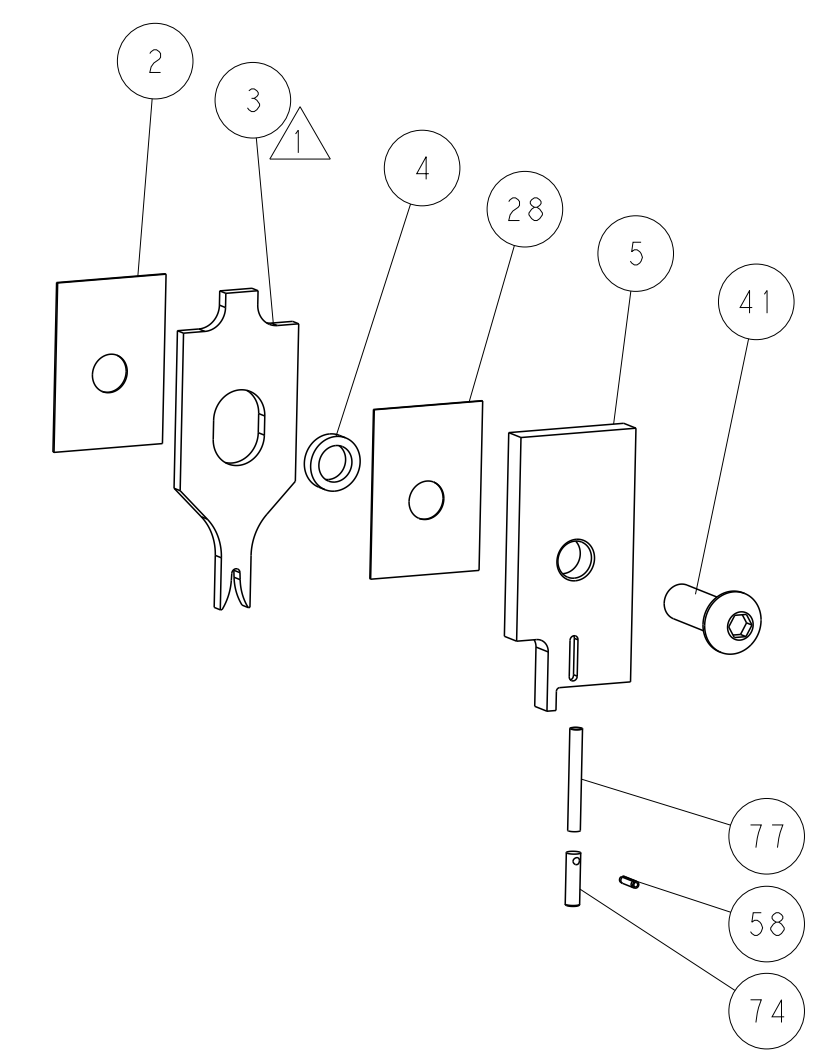
FEED TYPE MECHANICAL



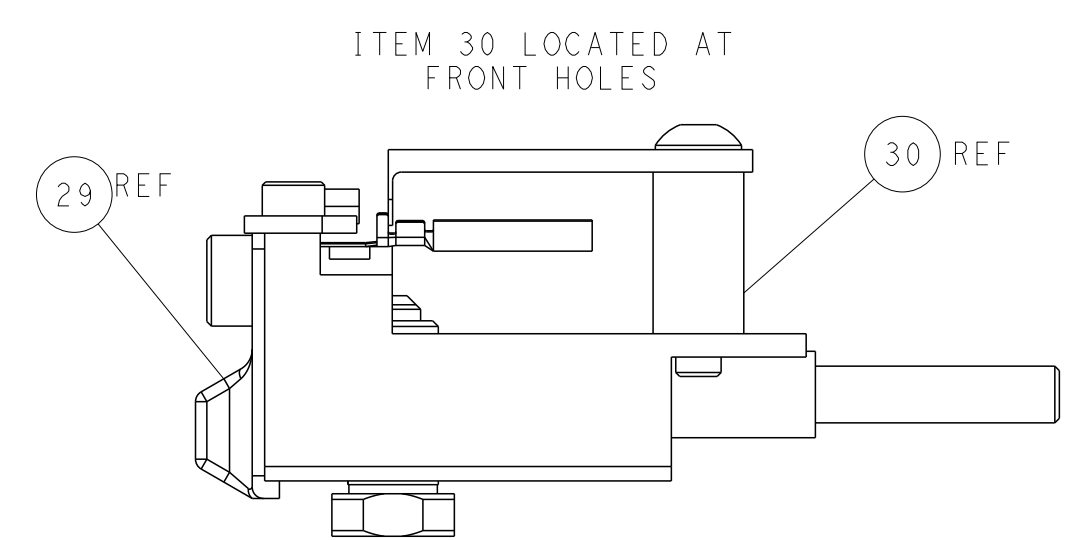
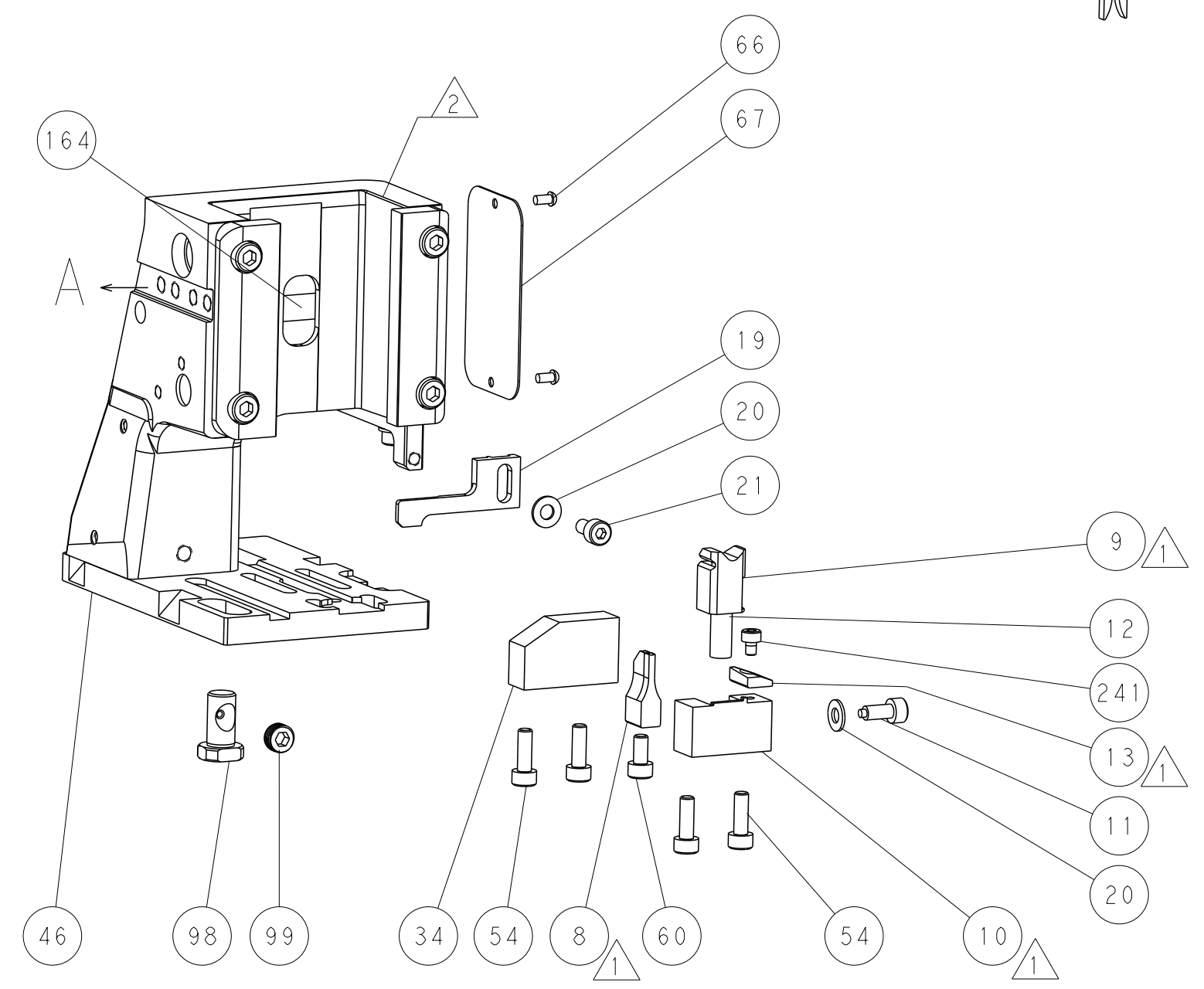
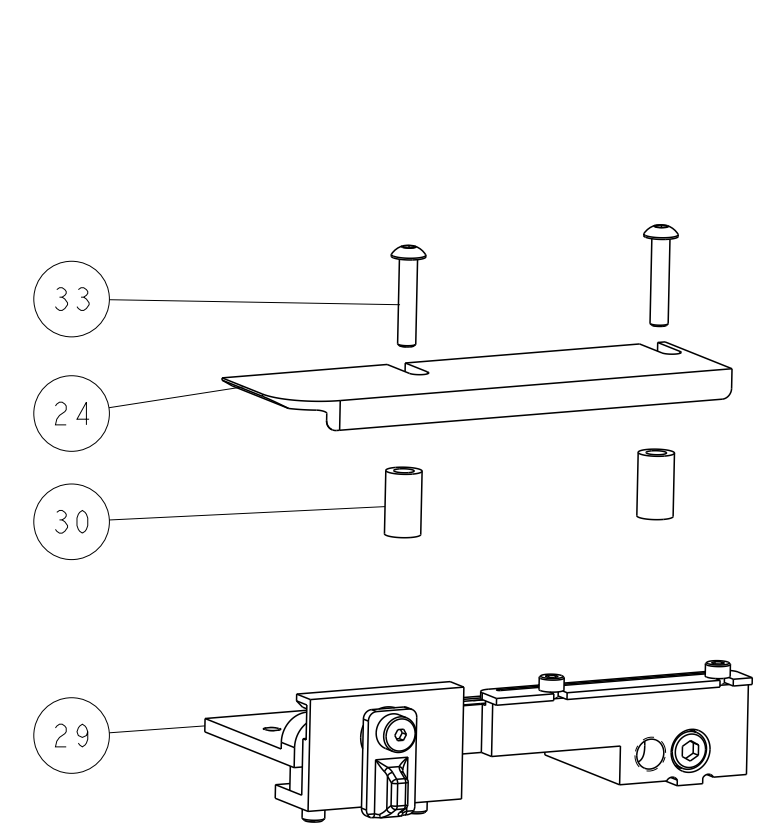
PNEUMATIC



TERMINAL SUPPORT LOCATION

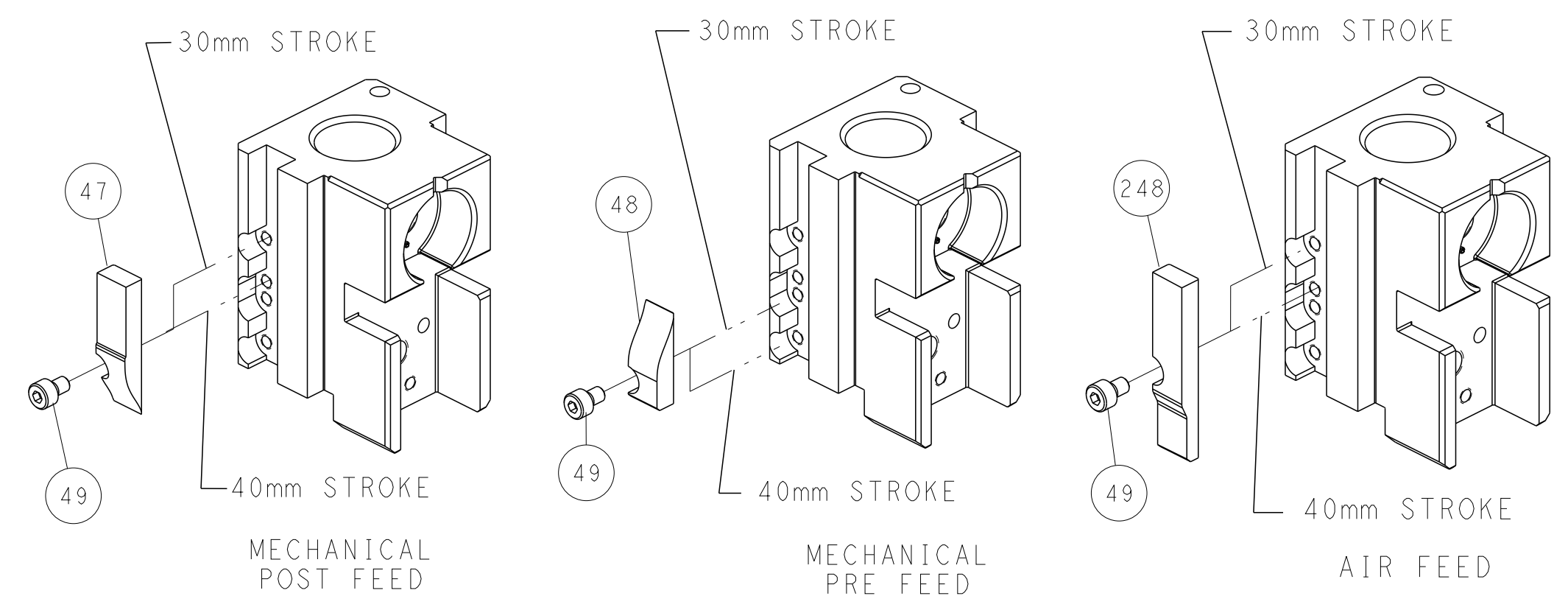


RAM SET-UP



FEED TRACK POSITION
GUIDE BY INSULATION BARREL

CAM POSITIONS



ATLANTIC VERSION
 Shown on sheets 1 of 4 & 2 of 4
 (Pacific version shown on sheets 3 of 4 & 4 of 4)

| | | | | | | | |
|-------------|---------|--|---------|--------------------------|---------|--|--|
| DIMENSIONS: | | TOLERANCES UNLESS OTHERWISE SPECIFIED: | | DWG: Y. YIN 03SEP2014 | | TE Connectivity | |
| mm | 0 PLC ± | 1 PLC ± | 2 PLC ± | 3 PLC ± | 4 PLC ± | Harrisburg, PA 17105-3608 | |
| MATERIAL: | | FINISH: | | CHK: G. BAILEY 03SEP2014 | | NAME: Ocean Side Feed Applicator | |
| | | | | APVD: J. GUO 03SEP2014 | | SIZE: CAGE CODE: DRAWING NO: RESTRICTED TO | |
| | | | | PRODUCT SPEC: | | A1 00779 ©=2266488 | |
| | | | | APPLICATION SPEC: | | Customer Accessible Production Drawing | |
| | | | | WEIGHT: | | SCALE: 1:2 SHEET 2 OF 4 REV B | |

| PART NUMBER | REVISION | DESCRIPTION | FEED TYPE |
|-------------|----------|--------------------------|------------|
| 2-2266488-1 | B | FINE CRIMP HEIGHT ADJUST | MECHANICAL |
| 2-2266488-2 | B | FINE CRIMP HEIGHT ADJUST | PNEUMATIC |
| 7-2266488-7 | A | CRIMP TOOLING KIT | - |

PACIFIC VERSION TERMINATOR
 INTERFACE ADAPTER



| APPLICATOR DATA | | |
|--------------------------------------|----------------|------|
| CRIMP | SIZE | TYPE |
| WIRE | 1.78 mm [.070] | F |
| INSUL | 2.03 mm [.080] | O |
| APPLICATOR INSTRUCTIONS 408-35042 | | |

| TERMINAL DATA: SURE SEAL TERMINAL TE CRIMP SPECIFICATION | | | |
|--|-----------------------------------|--|-----------------------------------|
| TERMINAL NAME: TERMINAL | | | |
| WIRE STRIP LENGTH 3.00-3.30 mm [.118-.130 IN] | | INSULATION DIAMETER RANGE Ø 1.47 mm MAX [.058 IN MAX] | |
| TERMINAL APPLICATION SPECIFICATION NONE | | | |
| TERMINALS APPLIED | | | |
| TE TERMINAL 2113581-1 | SURE SEAL TERMINAL 121348-0100 | TE TERMINAL 2113584-1 | SURE SEAL TERMINAL 121347-0100 |

| WIRE SIZE | CRIMP HEIGHT mm [INCH] | CRIMP HEIGHT REFERENCE SETTING |
|-----------|-------------------------------|--------------------------------|
| 18 AWG | 1.05 +/- 0.05 [.041 +/- .002] | 6.7 |
| 20 AWG | 0.94 +/- 0.05 [.037 +/- .002] | 8.1 |

- RECOMMENDED SPARE PARTS
- REFER TO SUPPLIED INSTRUCTION SHEET FOR CLEANING, LUBRICATION AND STORAGE OF APPLICATOR.
- APPLY PART NUMBER 2-23419-6 LOCTITE TO THREADS OF ITEM 242.
- CRIMP HEIGHT REFERENCE SETTING WAS THE SETTING USED WHEN THE APPLICATOR WAS QUALIFIED AT THE FACTORY. ADJUSTMENT MAY BE NECESSARY WHEN RUNNING APPLICATOR IN THE FIELD.
- 5. UNLESS SPECIFIED OTHERWISE TORQUE VALUES SHALL BE USED PER DOCUMENT, 101-35000.

***WARNING**
 ON INSTALLATION, SET WIRE DISC TO CRIMP HEIGHT REFERENCE SETTING FOR LARGEST WIRE SIZE. CRIMP HEIGHT REFERENCE SETTINGS GREATER THAN THE VALUE SHOWN MAY CAUSE DAMAGE TO THE CRIMP TOOLING. REFER TO THE INSTRUCTION SHEET FOR PROPER SETUP AND ADJUSTMENTS.

| LOC | DIST | REVISIONS | | | | | |
|-----|------|-----------|-----|-------------|------|-----|------|
| A | 66 | P | LTN | DESCRIPTION | DATE | OWN | APVD |
| - | - | - | - | SEE SHEET 1 | - | - | - |

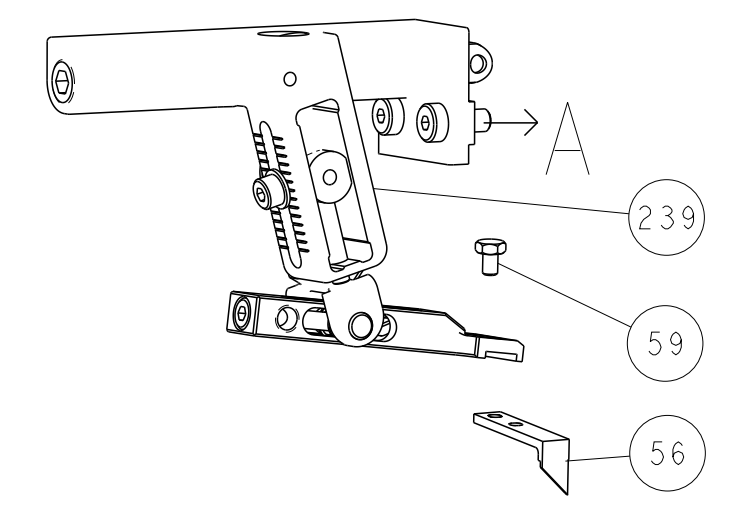
| | | | | | |
|---|-----|-----|-------------|-------------------------------------|---------|
| - | 1 | - | 2119640-1 | PUSH ROD, AIR FEED | 250 |
| - | 1 | - | 1803259-1 | BUSHING, FLANGED | 249 |
| - | 1 | 1 | 2119082-4 | CAM, SNAIL, INSULATION ADJUSTMENT | 244 |
| - | 1 | 1 | 2079764-1 | WASHER, WAVE SPRING, CREST-TO-CREST | 243 |
| - | 1 | 1 | 2119083-1 | RETAINER, INSULATION DIAL | 242 |
| - | 1 | 1 | 7-18023-7 | SCR, SKT HD CAP M3 X 4.0 | 241 |
| - | - | 1 | 2119580-1 | MECHANICAL FEED ASSEMBLY | 239 |
| - | 1 | - | 2063440-1 | AIR FEED MODULE | 238 |
| - | 2 | - | 21045-3 | RING, RETAIN, EXTERN, 3/16 CRESCENT | 172 |
| - | REF | REF | 994970-2 | COUNTER, MAGNETIC | 164 |
| - | 1 | - | 240638-1 | SPRING, FEED FINGER | 163 |
| - | 1 | - | 2119641-2 | FEED CAM, AIR FEED | 151 |
| - | 1 | 1 | 2168083-8 | SCR, SKT HD CAP, RoHS, M4 X 16 | 144 |
| - | 4 | 4 | 2168083-9 | SCR, SKT HD CAP, RoHS, M4 X 20 | 143 |
| - | - | 1 | 2119653-2 | FEED CAM, POST FEED | 142 |
| - | 1 | 1 | 1-1803583-0 | APPLICATOR BASIC ASSEMBLY, SF | 141 |
| - | 1 | 1 | 1803516-1 | RAM ASSEMBLY, SF PACIFIC | 140 |
| - | 1 | - | 3-23627-7 | PIN, RETAIN, GRVD, 3/16 X .854 | 137 |
| - | 1 | - | 2119799-1 | HOLDER, FEED FINGER, AF | 136 |
| - | 1 | 1 | 2844908-1 | SCREW, LOCKING | 99 |
| - | 1 | 1 | 2844907-1 | POST, LOCKING | 98 |
| - | 1 | 1 | 455888-5 | SPACER, CRIMPER | 82 |
| - | 1 | 1 | 5-547505-2 | SPRING, COMPRESSION | 77 |
| - | 1 | 1 | 854769-4 | HOLDER, INS | 74 |
| - | 1 | 1 | 1803607-1 | DOCUMENTATION PACKAGE | 71 |
| - | 1 | 1 | 2119740-1 | TAG, IDENTIFICATION | 67 |
| - | 2 | 2 | 2168078-1 | SCREW, DRIVE, RH, RoHS, 2 x .188 | 66 |
| - | 1 | 1 | 5-18022-5 | SCR, HEX HD CAP, M4 X 6.0 | 59 |
| - | 1 | 1 | 21028-2 | PIN, SLOTTED SPRING .062 X .250 | 58 |
| - | 1 | 1 | 1338685-1 | PAWL, FEED | 56 |
| - | 2 | 2 | 1-2168083-0 | SCR, SKT HD CAP, RoHS, M4 X 10 | 53 |
| - | 1 | 1 | 5018030-1 | NUT, HEX, REG, RoHS, M3 | 52 |
| - | 1 | 1 | 811242-5 | BUMPER, HOLD DOWN | 51 |
| - | 1 | 1 | 690753-2 | SPACER, TONKER | 50 |
| - | 1 | 2 | 18023-9 | SCR, SKT HD CAP M4 X 6.0 | 49 |
| - | - | 1 | 2119652-1 | FEED CAM, PRE FEED | 48 |
| - | 1 | 1 | 1803602-1 | SCR, BHSC, RoHS (M8 X 25) | 41 |
| - | 1 | 1 | 3-1752356-3 | SUPPORT, TERMINAL | 34 |
| - | 2 | 2 | 2079383-5 | SCR, BHSC, RoHS (M4 X 20) | 33 |
| - | 2 | 2 | 2-2844962-6 | SPACER, CYLINDRICAL, STRIP GUIDE | 30 |
| - | 1 | 1 | 2844992-1 | ASSEMBLY, STRIP GUIDE | 29 |
| - | 1 | 1 | 455888-3 | SPACER, CRIMPER | 28 |
| - | 1 | 1 | 1320928-2 | STRIP GUIDE | 24 |
| - | 1 | 1 | 2168083-2 | SCR, SKT HD CAP, RoHS, M4 X 8.0 | 21 |
| - | 2 | 2 | 1-18028-2 | WASHER, FLAT, REG M4 | 20 |
| - | 1 | 1 | 2119533-1 | STRIPPER, SIDE FEED | 19 |
| - | 1 | 1 | 2119806-1 | INSERT, SHEAR | 13 |
| - | 1 | 1 | 3-22280-3 | SPRING, COMPRESSION | 12 |
| - | 1 | 1 | 1-356885-4 | STOP, SHEAR | 11 |
| - | 1 | 1 | 2119805-1 | SHEAR HOLDER, FRONT | 10 |
| - | 1 | 1 | 1803095-1 | FLOATING SHEAR, FRONT | 9 |
| - | 1 | 1 | 1-1633919-5 | ANVIL, COMBINATION | 8 |
| - | - | - | - | - | 7 |
| - | - | - | - | - | 6 |
| - | 1 | 1 | 2119780-6 | DEPRESSOR, SHEAR | 5 |
| - | 1 | 1 | 1-238011-8 | BLOCK, CRIMPER SPACER | 4 |
| - | 1 | 1 | 2-2119784-2 | CRIMPER, INSULATION O PREMIUM | 3 |
| - | 1 | 1 | 455888-4 | SPACER, CRIMPER | 2 |
| - | 1 | 1 | 456404-5 | CRIMPER, WIRE PREMIUM | 1 |
| - | 77 | -22 | -21 | PART NO | ITEM NO |

PACIFIC VERSION
 Shown on sheets 3 of 4 & 4 of 4
 (Atlantic version shown on sheets 1 of 4 & 2 of 4)

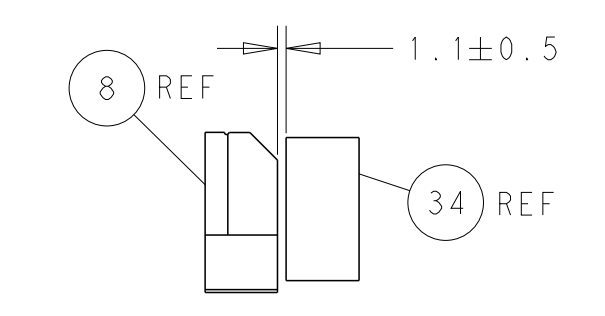
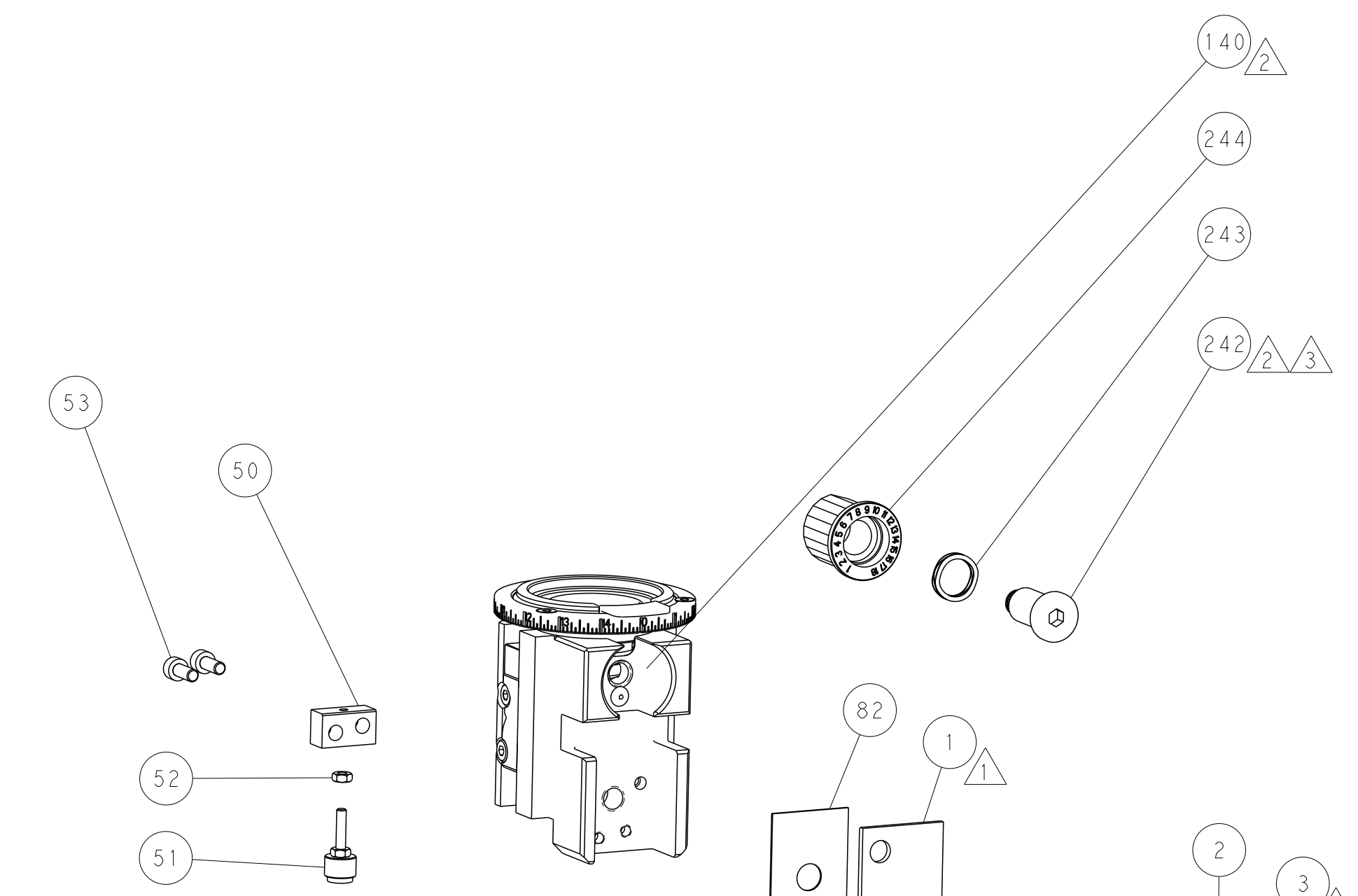
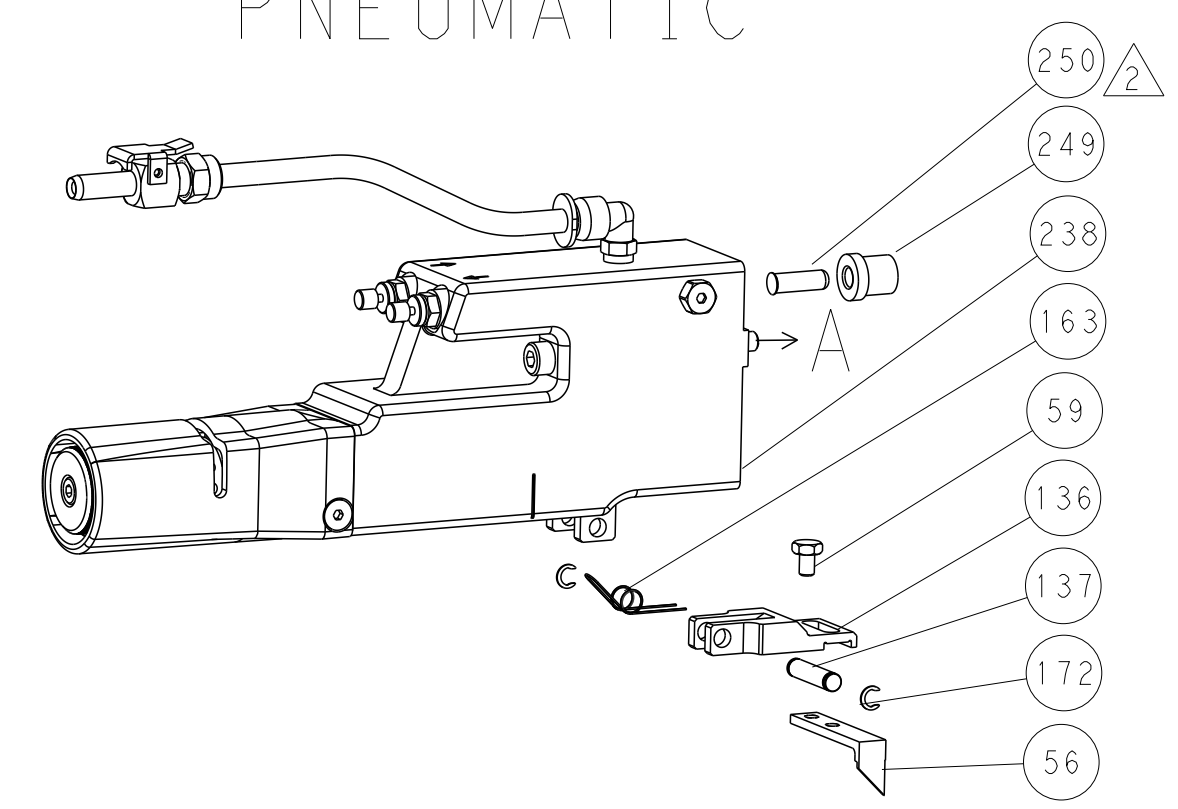
| | | | | | | | | | |
|-----------------------|--|---|--|--|--|---|--|---|--|
| DIMENSIONS: mm | | TOLERANCES UNLESS OTHERWISE SPECIFIED: 0 PLC ± 1 PLC ± 2 PLC ± 3 PLC ± 4 PLC ± ANGLES ± FINISH | | DWG Y. YIN 03SEP2014 CHK G. BAILEY 03SEP2014 APVD J. GUO 03SEP2014 PRODUCT SPEC APPLICATION SPEC WEIGHT SCALE 1:2 SHEET 3 OF 4 REV B | | NAME Ocean Side Feed Applicator SIZE CAGE CODE DRAWING NO A1 00779 C=2266488 | | RESTRICTED TO Customer Accessible Production Drawing | |
|-----------------------|--|---|--|--|--|---|--|---|--|

| LOC | | DIST | | REVISIONS | | | |
|-----|----|------|-----|-------------|------|-----|------|
| A | 66 | P | LTM | DESCRIPTION | DATE | OWN | APVD |
| - | - | - | - | SEE SHEET 1 | - | - | - |
| | | | | | | | |
| | | | | | | | |

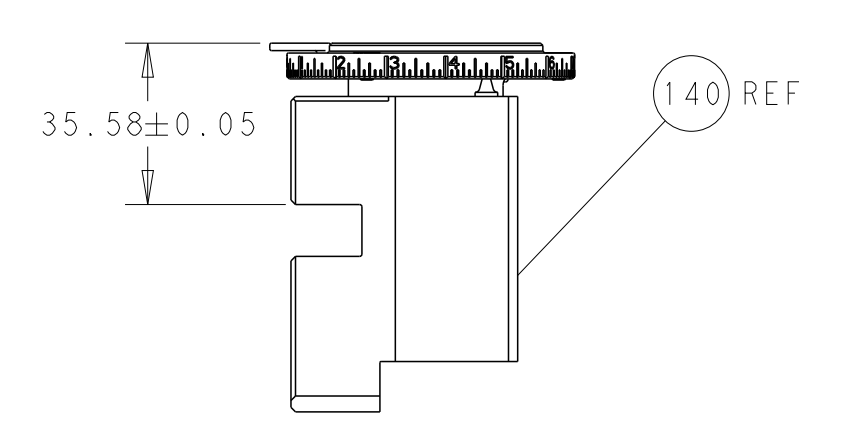
FEED TYPE MECHANICAL



PNEUMATIC

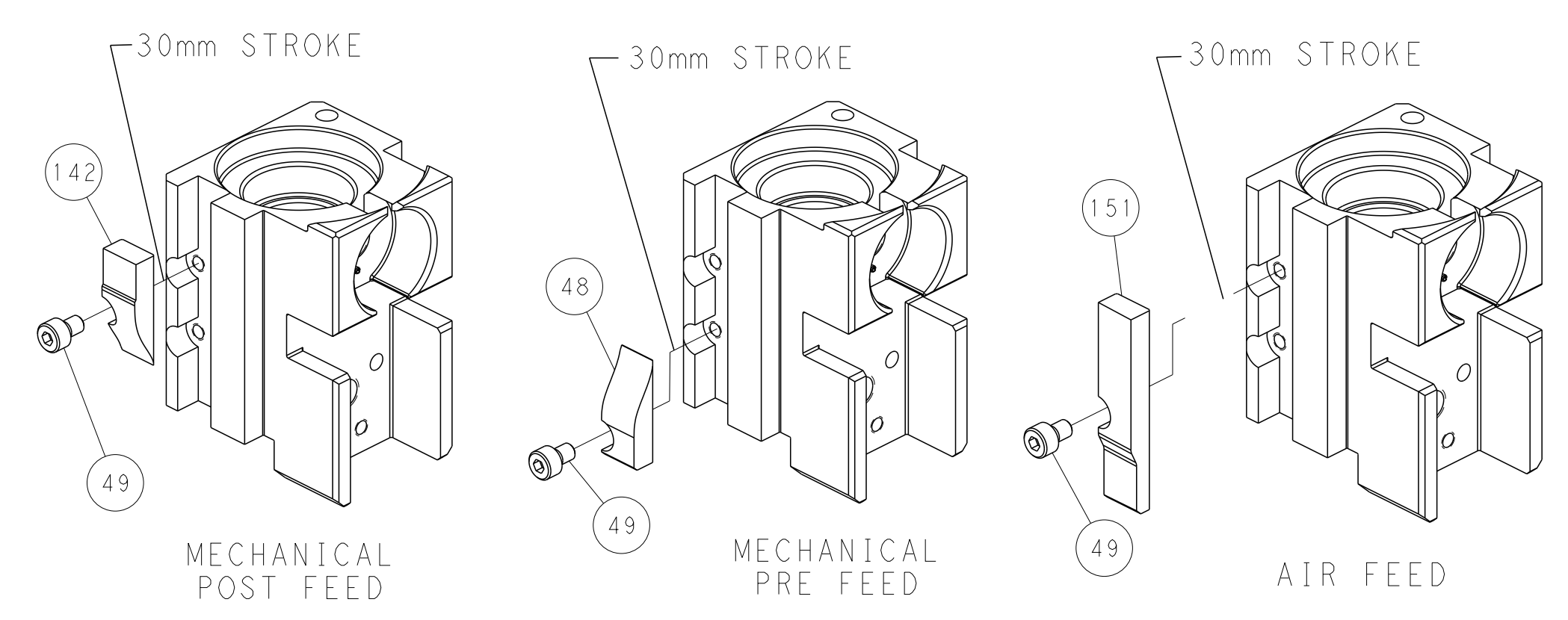


TERMINAL SUPPORT LOCATION



RAM SET-UP

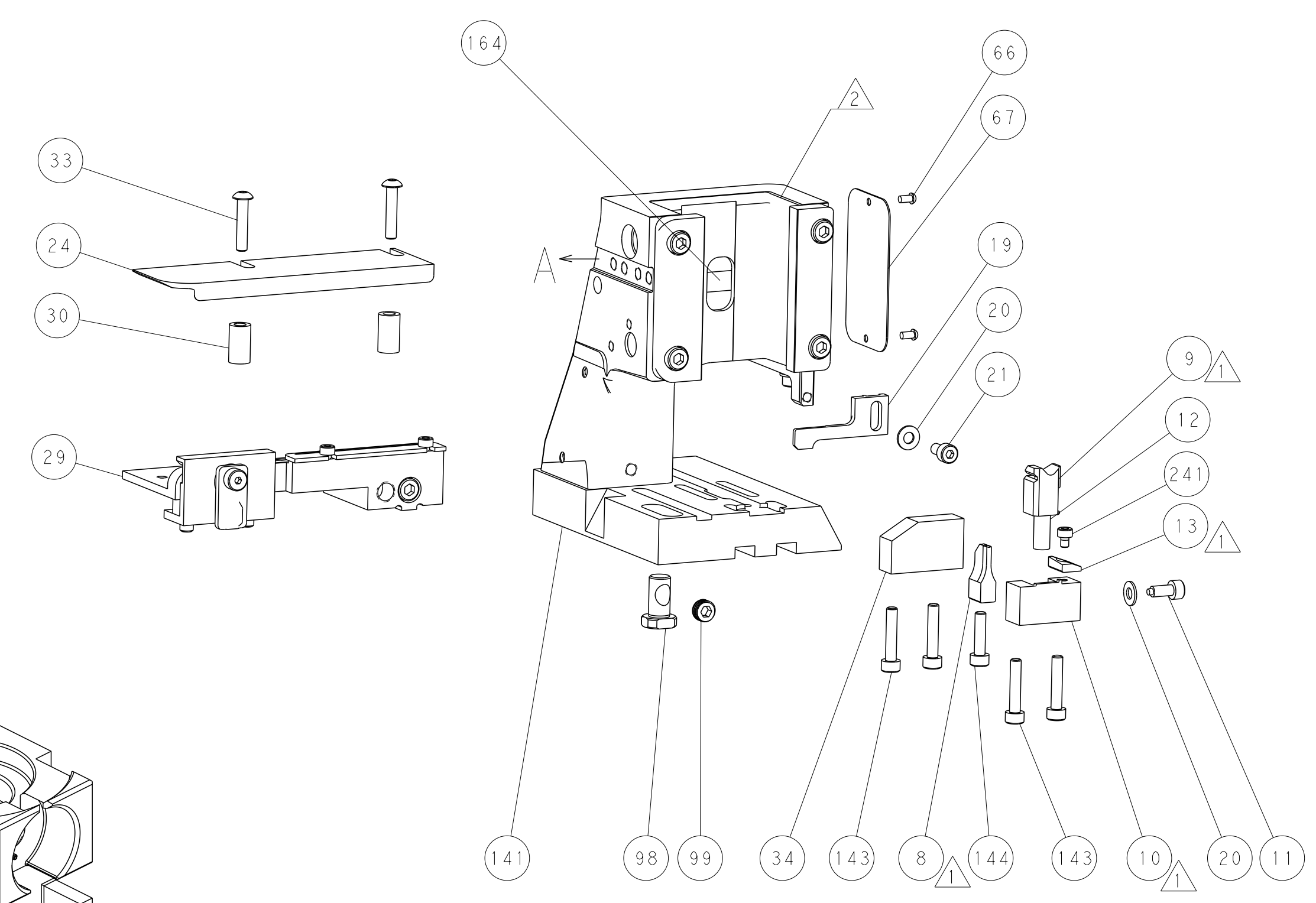
CAM POSITIONS



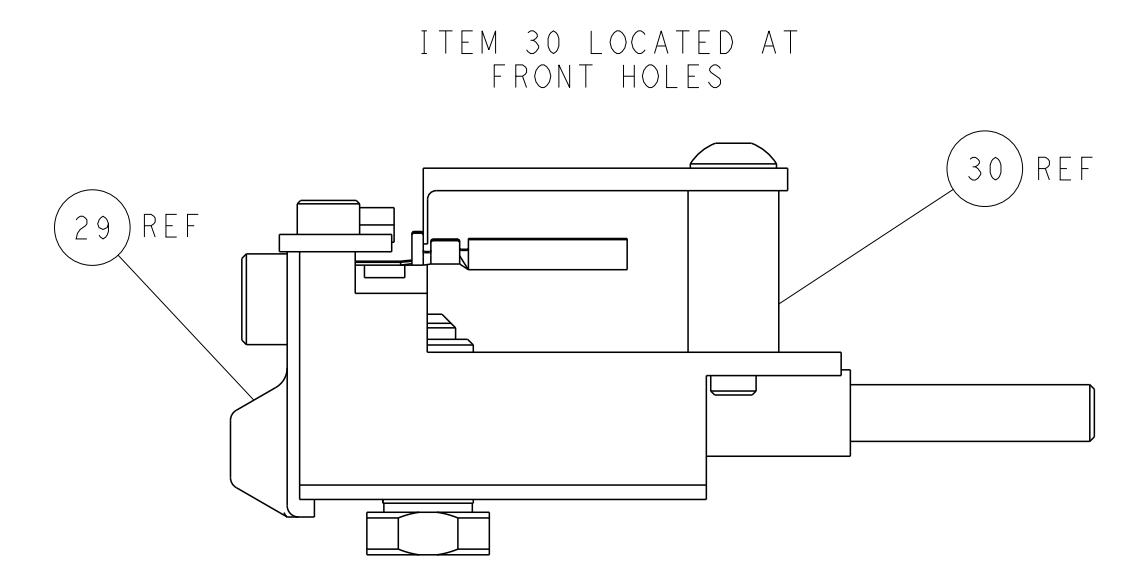
MECHANICAL POST FEED

MECHANICAL PRE FEED

AIR FEED



PACIFIC VERSION
 Shown on sheets 3 of 4 & 4 of 4
 (Atlantic version shown on sheets 1 of 4 & 2 of 4)



FEED TRACK POSITION GUIDE BY INSULATION BARREL

| | | | |
|--|--|---|---|
| <small>THIS DRAWING IS UNPUBLISHED. RELEASED FOR PUBLICATION. IT IS THE PROPERTY OF TYCO ELECTRONICS CORPORATION AND IS TO BE USED ONLY FOR THE PURPOSES AND IN THE MANNER SPECIFIED BY THE USER. IT IS NOT TO BE REPRODUCED OR TRANSMITTED IN ANY FORM OR BY ANY MEANS, ELECTRONIC OR MECHANICAL, INCLUDING PHOTOCOPYING, RECORDING, OR BY ANY INFORMATION STORAGE AND RETRIEVAL SYSTEM, WITHOUT PERMISSION IN WRITING FROM TYCO ELECTRONICS CORPORATION.</small> | | DWN Y. YIN 03SEP2014 CHK G. BAILEY 03SEP2014 APVD H. GUO 03SEP2014 | TE Connectivity Harrisburg, PA 17105-3608 |
| DIMENSIONS: mm TOLERANCES UNLESS OTHERWISE SPECIFIED: 0 PLC ± 1 PLC ± 2 PLC ± 3 PLC ± 4 PLC ± ANGLES FINISH ± | PRODUCT SPEC APPLICATION SPEC WEIGHT MATERIAL | NAME Ocean Side Feed Applicator SIZE CAGE CODE DRAWING NO A1 00779 C=2266488 Customer Accessible Production Drawing | RESTRICTED TO SCALE 1:2 SHEET 4 OF 4 REV B |