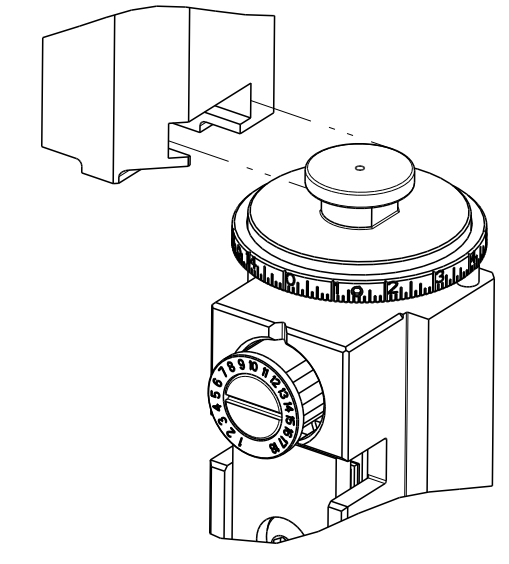


PART NUMBER	REVISION	DESCRIPTION	FEED TYPE
2266621-2	E	FINE CRIMP HEIGHT ADJUST	PNEUMATIC
3-2266621-2	E	FINE CRIMP HEIGHT ADJUST	DOUBLE ACTING PNEUMATIC WITH SENSORS
7-2266621-2	E	PNEUMATIC AND CRIMP TOOLING KIT	PNEUMATIC
7-2266621-7	A	CRIMP TOOLING KIT	-

ATLANTIC VERSION TERMINATOR INTERFACE ADAPTER

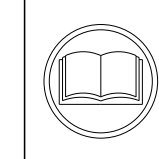


APPLICATOR DATA		
CRIMP	SIZE	TYPE
WIRE	1.07 mm [.042]	F
INSUL	1.07 mm [.042]	O

APPLICATOR INSTRUCTIONS  
408-35042

TERMINAL DATA: TE TERMINAL		TE CRIMP SPECIFICATION	
TERMINAL NAME: NANO TAB 0.5x0.4 CONTACT TERMINAL			
WIRE STRIP LENGTH		INSULATION DIAMETER RANGE	
3.85-4.15 mm [.152-.163 IN]		Ø0.95-1.20 mm [.037-.047 IN]	
TERMINAL APPLICATION SPECIFICATION	114-94288		
TERMINALS APPLIED			
TE TERMINAL	TE TERMINAL	TE TERMINAL	TE TERMINAL
1-2236905-1	1-2236905-3		

WIRE SIZE	CRIMP HEIGHT mm [INCH]	CRIMP HEIGHT REFERENCE SETTING
0.35mm2	0.78+/-0.02 [.031+/- .001]	6.2
0.22mm2	0.70+/-0.02 [.028+/- .001]	7.0



- RECOMMENDED SPARE PARTS
- REFER TO SUPPLIED INSTRUCTION SHEET FOR CLEANING, LUBRICATION AND STORAGE OF APPLICATOR.
- APPLY PART NUMBER 2-23419-6 LOCTITE TO THREADS OF ITEM 242.
- CRIMP HEIGHT REFERENCE SETTING WAS THE SETTING USED WHEN THE APPLICATOR WAS QUALIFIED AT THE FACTORY. ADJUSTMENT MAY BE NECESSARY WHEN RUNNING APPLICATOR IN THE FIELD.
- TERMINAL PITCH NOT COMPATIBLE WITH MECHANICAL FEED.
- 6. UNLESS SPECIFIED OTHERWISE TORQUE VALUES SHALL BE USED PER DOCUMENT, 101-35000.
- THIS APPLICATOR IS EQUIPPED WITH THE DOUBLE ACTING FEED WITH SENSORS AND IS APPLICATION SPECIFIC. IT DOES NOT REQUIRE ITEMS 49 & 248.

**\*WARNING**  
ON INSTALLATION, SET WIRE DISC TO CRIMP HEIGHT REFERENCE SETTING FOR LARGEST WIRE SIZE. CRIMP HEIGHT REFERENCE SETTINGS GREATER THAN THE VALUE SHOWN MAY CAUSE DAMAGE TO THE CRIMP TOOLING, REFER TO THE INSTRUCTION SHEET FOR PROPER SETUP AND ADJUSTMENTS.

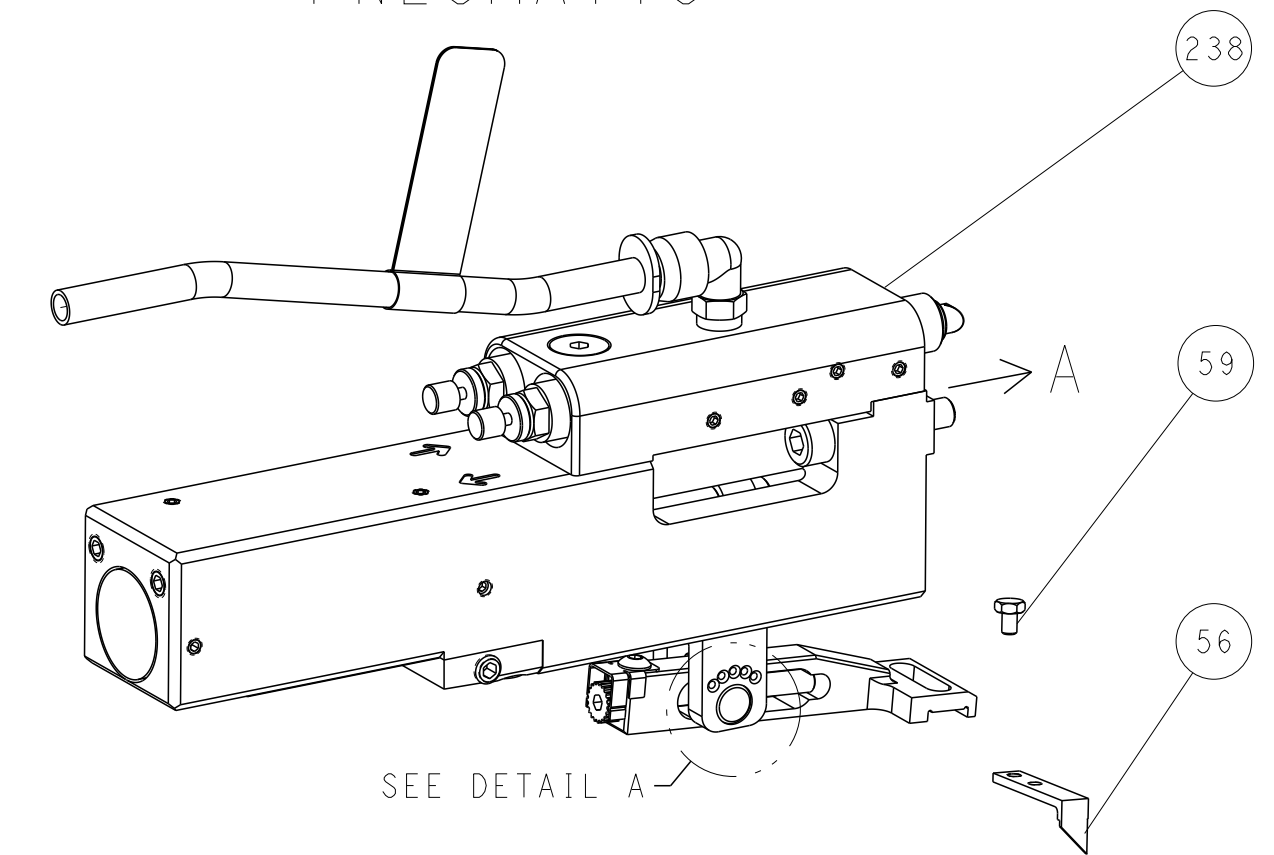
LOC	DIST	REVISIONS			
A	66	REV	DATE	BY	CHKD
		C	ECR-19-004610	22MAR2019	FJ TE
		D	ECR-19-013972	06SEP2019	MZ YY
		E	ECR-20-015653	03NOV2020	JWC RK
		E1	ECR-24-196878	09JAN2024	FZ GB

-	-	1	-	2844950-1	AIR FEED MODULE	290
	-	1	-	2119641-1	FEED CAM, AIR FEED	248
-	-	1	1	2119082-3	CAM, SNAIL, INSULATION ADJUSTMENT	244
-	-	1	1	2079764-1	WASHER, WAVE SPRING, CREST-TO-CREST	243
	-	1	1	2119083-1	RETAINER, INSULATION DIAL	242
-	-	1	-	2844940-1	AIR FEED MODULE	238
-	REF	REF	REF	994970-2	COUNTER, MAGNETIC	164
-	1	1	1	1-18028-2	WASHER, FLAT, REG M4	119
-	1	1	1	2844908-1	SCREW, LOCKING	99
-	1	1	1	2844907-1	POST, LOCKING	98
-	1	1	1	455888-4	SPACER, CRIMPER -	82
-	1	1	1	5-547505-2	SPRING, COMPRESSION	77
-	1	1	1	1803205-1	INSULATION HOLDER	74
-	1	1	1	1803607-3	DOCUMENTATION PACKAGE	71
-	1	1	1	2119740-1	TAG, IDENTIFICATION	67
-	2	2	2	2168078-1	SCREW, DRIVE, RH, RoHS, 2 x .188	66
-	1	1	1	2168083-2	SCR, SKT HD CAP, RoHS, M4 X 8.0	60
-	1	1	1	5-18022-5	SCR, HEX HD CAP, M4 X 6.0	59
-	1	1	1	21028-2	PIN, SLOTTED SPRING .062 X .250	58
-	1	1	1	1338685-1	PAWL, FEED	56
-	4	4	4	2168083-3	SCR, SKT HD CAP, RoHS, M4 X 12.0	54
-	2	2	2	2168083-8	SCR, SKT HD CAP, RoHS, M4 X 16	53
-	1	1	1	5018030-1	NUT, HEX, REG, RoHS, M3	52
-	1	1	1	811242-5	BUMPER, HOLD DOWN	51
-	1	1	1	690753-2	SPACER, TONKER	50
	-	1	-	18023-9	SCR, SKT HD CAP M4 X 6.0	49
-	1	1	1	1803583-9	APPLICATOR BASIC ASSEMBLY, SF	46
-	1	1	1	1803515-1	RAM ASSEMBLY, SF ATLANTIC	44
-	1	1	1	1803602-1	SCR, BHSC, RoHS (M8 X 25)	41
-	1	1	1	1752356-3	SUPPORT, TERMINAL	34
-	2	2	2	2079383-5	SCR, BHSC, RoHS (M4 X 20)	33
-	2	2	2	2-2844962-4	SPACER, CYLINDRICAL, STRIP GUIDE	30
-	1	1	1	2844992-1	ASSEMBLY, STRIP GUIDE -	29
-	1	1	1	1-455888-0	SPACER, CRIMPER -	28
-	1	1	1	1320928-2	STRIP GUIDE	24
-	1	1	1	2168083-2	SCR, SKT HD CAP, RoHS, M4 X 8.0	21
-	1	1	1	1-18028-2	WASHER, FLAT, REG M4	20
-	1	1	1	2119533-1	STRIPPER, SIDE FEED	19
-	1	1	1	3-22280-3	SPRING, COMPRESSION	12
-	1	1	1	2-519000-1	SCR, SKT HD CAP M4 X 10.0	11
	-	1	1	2119805-1	SHEAR HOLDER, FRONT -	10
	-	1	1	1803095-7	FLOATING SHEAR, FRONT -	9
	1	2	1	1-1633620-2	ANVIL, COMBINATION	8
-	1	1	1	240641-1	SPACER	7
-	-	-	-	-	-	6
-	1	1	1	1803140-1	DEPRESSOR, SHEAR	5
-	1	1	1	5-238011-7	BLOCK, CRIMPER SPACER	4
	1	2	1	1803143-2	CRIMPER, INSULATION O	3
-	-	-	-	-	-	2
	1	2	1	2-1333281-7	CRIMPER, WIRE PREMIUM	1

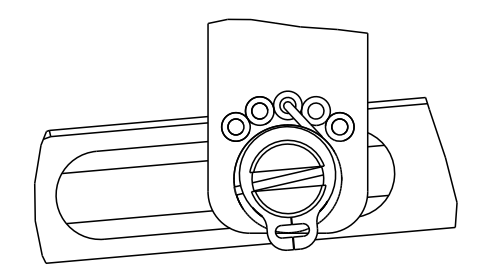
DIMENSIONS:		TOLERANCES UNLESS OTHERWISE SPECIFIED:		DWG		NAME	
mm	0 PLC ±	1 PLC ±	2 PLC ±	3 PLC ±	4 PLC ±	APPROVED	PRODUCT SPEC
	ANGLES ±	FINISH ±				APPROVED	APPLICATION SPEC
MATERIAL				WEIGHT		SIZE	CAGE CODE
						00779	2266621
Customer Accessible Production Drawing				SCALE	1:2	SHEET	1 OF 4

LOC	DIST	REVISIONS					
		P	LTN	DESCRIPTION	DATE	OWN	APVD
A	66	-	-	SEE SHEET 1	-	-	-

# FEED TYPE PNEUMATIC

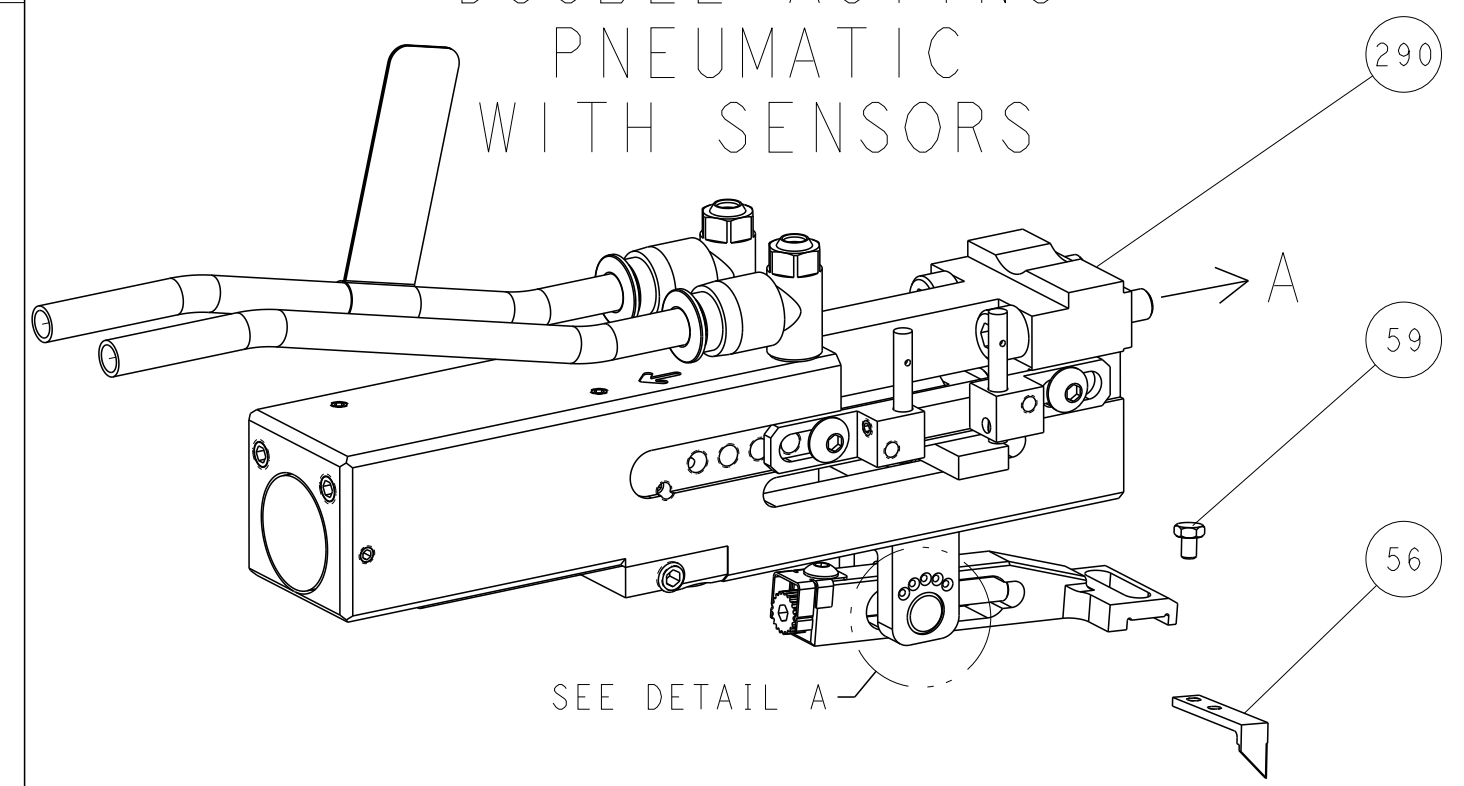


FEED SPRING SETTING POSITION  
(SHOWN FROM REAR SIDE)



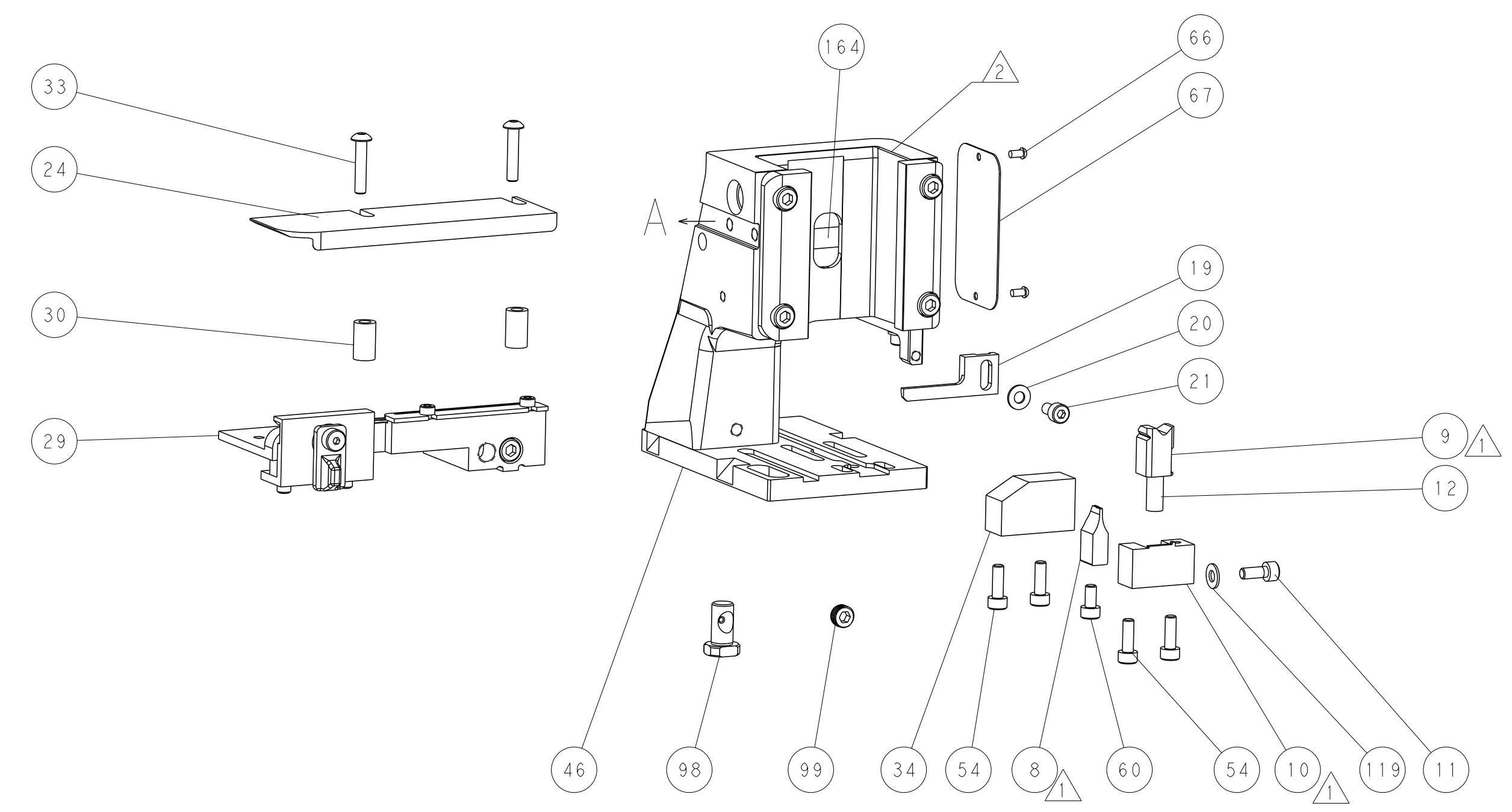
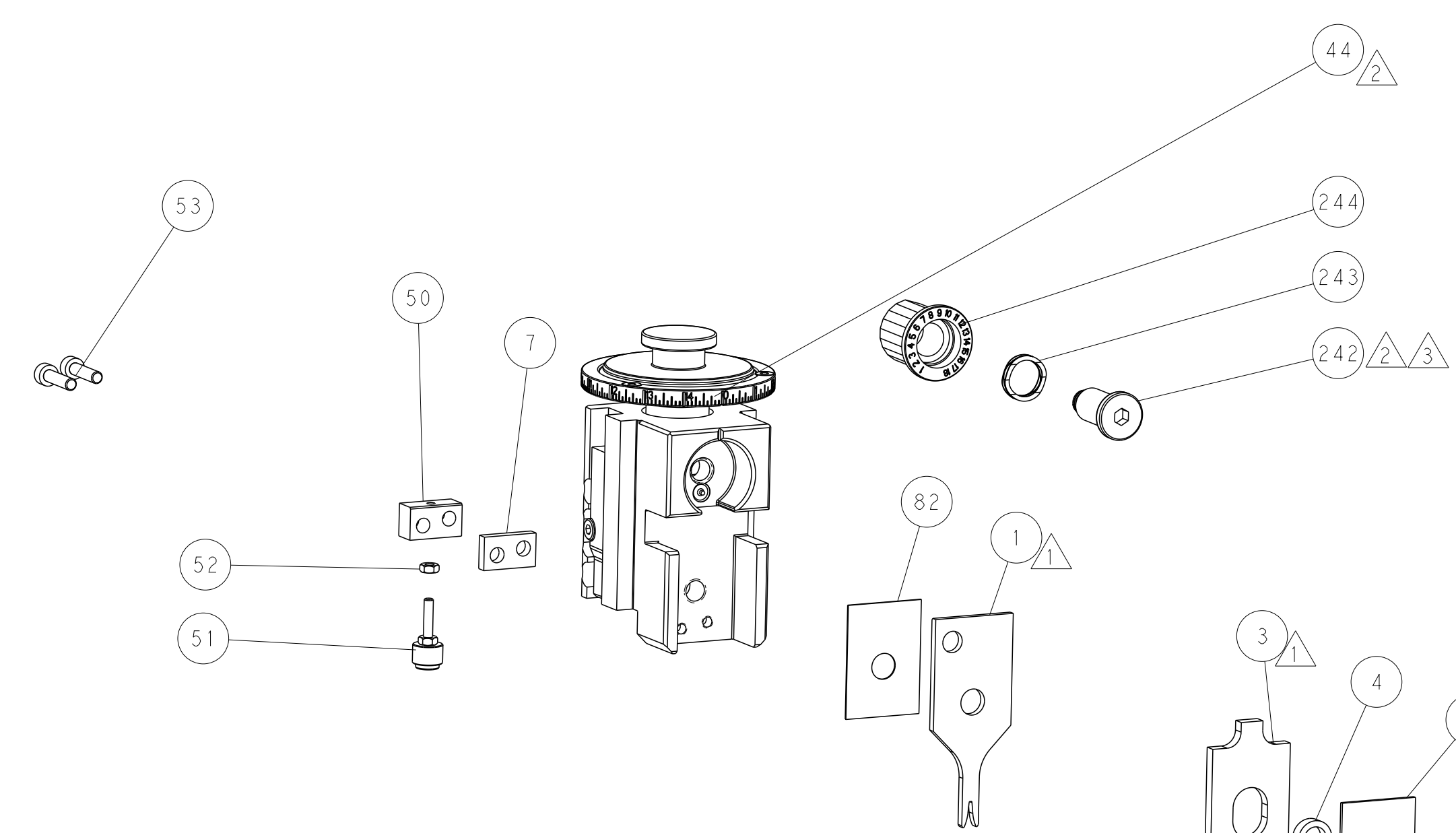
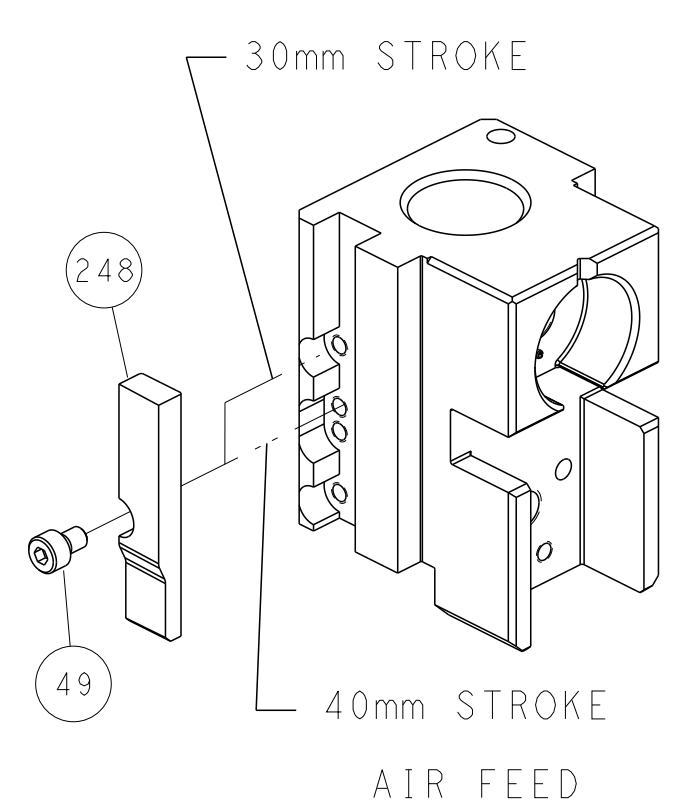
DETAIL A

# DOUBLE ACTING PNEUMATIC WITH SENSORS

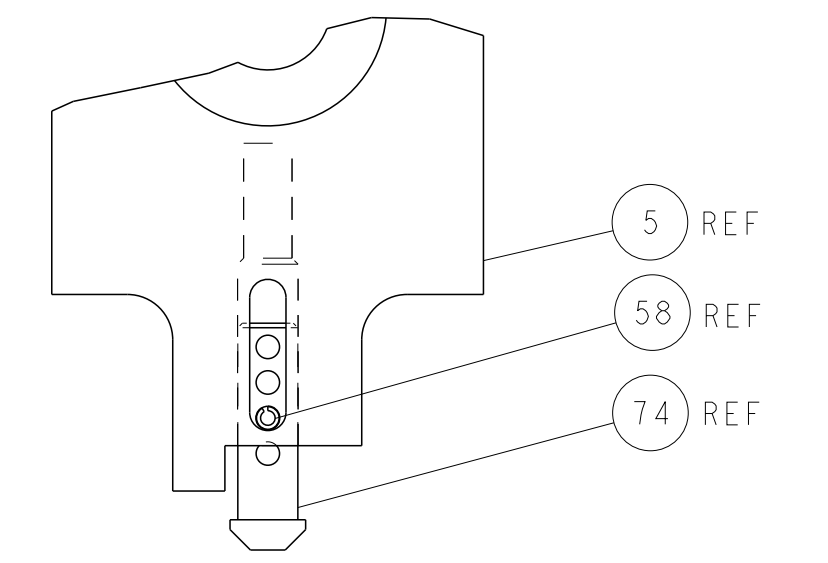


SEE DETAIL A

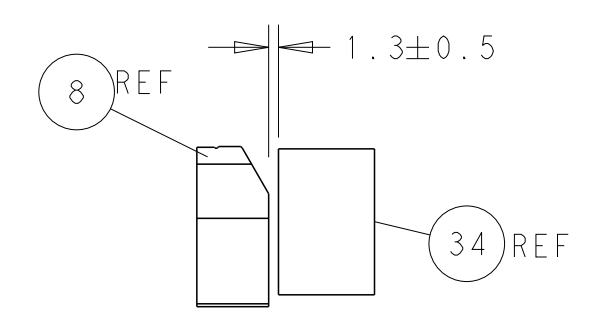
# CAM POSITION



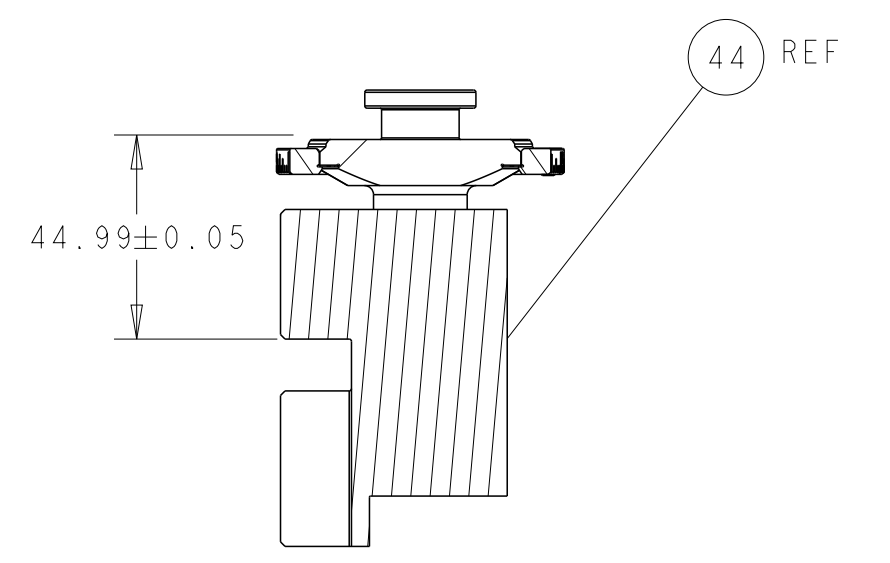
ITEM 58 LOCATED AS SHOWN



INSULATION HOLDER SETUP LOCATION

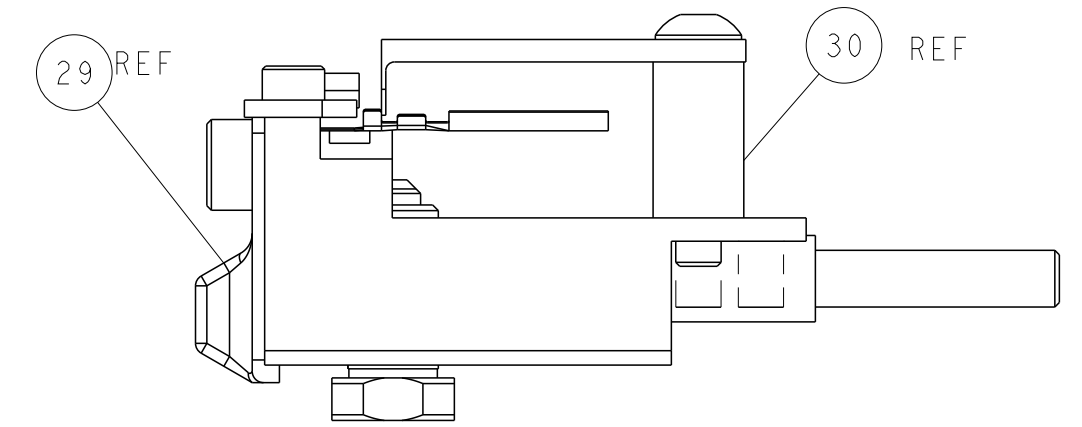


TERMINAL SUPPORT LOCATION



RAM SET-UP

ITEM 30 LOCATED AT  
FRONT HOLES



FEED TRACK POSITION  
GUIDE BY INSULATION BARREL

DIMENSIONS: mm 		TOLERANCES UNLESS OTHERWISE SPECIFIED: 0 PLC ± 1 PLC ± 2 PLC ± 3 PLC ± 4 PLC ± ANGLES ± FINISH		DWN BOB HIGMAN 18DEC2014 CHK G. BAILEY 18DEC2014 APVD G. BAILEY 18DEC2014 PRODUCT SPEC APPLICATION SPEC SIZE CAGE CODE DRAWING NO A1 00779 C=2266621 RESTRICTED TO	
MATERIAL:		WEIGHT:		NAME: Ocean Side Feed Applicator SCALE: 1:2 SHEET 2 OF 4 REV E1	