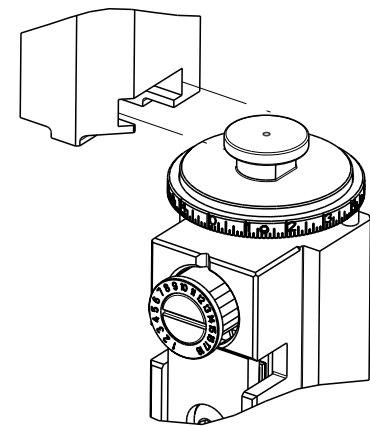


THIS DRAWING IS UNPUBLISHED.	RELEASED FOR PUBLICATION	20	
COPYRIGHT 20 BY TYCO ELECTRONICS CORPORATION. ALL RIGHTS RESERVED.			
PART NUMBER	REVISION	DESCRIPTION	FEED TYPE
2266805-2	B	FINE CRIMP HEIGHT ADJUST	PNEUMATIC
7-2266805-2	B	PNEUMATIC AND CRIMP TOOLING KIT	PNEUMATIC
7-2266805-7	A	CRIMP TOOLING KIT	-

ATLANTIC VERSION TERMINATOR INTERFACE ADAPTER



APPLICATOR DATA		
CRIMP	SIZE	TYPE
WIRE	3.10 mm [.122]	F
INSUL	5.84 mm [.230]	F

APPLICATOR INSTRUCTIONS 408-35042

TERMINAL DATA: YAZAKI TERMINAL YAZAKI CRIMP SPECIFICATION	
TERMINAL NAME: YAZAKI TERMINAL	
WIRE STRIP LENGTH 5.00-6.00 mm [.197-.236 IN]	INSULATION DIAMETER RANGE Ø2.60-3.80 mm [.102-.150 IN]
TERMINAL APPLICATION SPECIFICATION WA2044 Rev 2010/01/15	
TERMINALS APPLIED	
TE TERMINAL	YAZAKI TERMINAL
1949956-1	7116-2992-02

WIRE SIZE	CRIMP HEIGHT mm [INCH]	CRIMP HEIGHT REFERENCE SETTING
3.00mm2	1.80+/-0.05 [0.071+/-0.002]	6.2
2.50mm2	1.65+/-0.05 [0.065+/-0.002]	7.5
2.00mm2	1.55+/-0.05 [0.061+/-0.002]	8.5

- RECOMMENDED SPARE PARTS
- REFER TO SUPPLIED INSTRUCTION SHEET FOR CLEANING, LUBRICATION AND STORAGE OF APPLICATOR.
- APPLY PART NUMBER 2-23419-6 LOCTITE TO THREADS OF ITEM 242.
- CRIMP HEIGHT REFERENCE SETTING WAS THE SETTING USED WHEN THE APPLICATOR WAS QUALIFIED AT THE FACTORY. ADJUSTMENT MAY BE NECESSARY WHEN RUNNING APPLICATOR IN THE FIELD.
- TERMINAL PITCH NOT COMPATIBLE WITH MECHANICAL FEED.
- 6. UNLESS SPECIFIED OTHERWISE TORQUE VALUES SHALL BE USED PER DOCUMENT, 101-35000.

***WARNING**
ON INSTALLATION, SET WIRE DISC TO CRIMP HEIGHT REFERENCE SETTING FOR LARGEST WIRE SIZE. CRIMP HEIGHT REFERENCE SETTINGS GREATER THAN THE VALUE SHOWN MAY CAUSE DAMAGE TO THE CRIMP TOOLING, REFER TO THE INSTRUCTION SHEET FOR PROPER SETUP AND ADJUSTMENTS.

LOC	DIST	REVISIONS			
		REV	DATE	BY	APPV
A	66	1	28MAY2015	JH	UG
		A	25JUN2015	JH	TE
		B	30JAN2019	JAH	TE

-	1	1	2119640-1	PUSH ROD, AIR FEED	250
-	1	1	1803259-1	BUSHING, FLANGED	249
-	1	1	2119641-1	FEED CAM, AIR FEED	248
-	1	1	2119082-3	CAM, SNAIL, INSULATION ADJUSTMENT	244
-	1	1	2079764-1	WASHER, WAVE SPRING, CREST-TO-CREST	243
	1	1	2119083-1	RETAINER, INSULATION DIAL	242
-	1	1	7-18023-7	SCR, SKT HD CAP M3 X 4.0	241
-	1	1	2063440-2	AIR FEED MODULE	238
-	2	2	21045-3	RING, RETAIN, EXTERN, 3/16 CRESCENT	172
-	REF	REF	994970-2	COUNTER, MAGNETIC	164
-	1	1	240638-1	SPRING, FEED FINGER	163
-	1	1	3-23627-7	PIN, RETAIN, GRVD, 3/16 X .854	137
-	1	1	2119799-1	HOLDER, FEED FINGER, AF	136
-	1	1	2844908-1	SCREW, LOCKING	99
-	1	1	2844907-1	POST, LOCKING	98
-	1	1	318563-1	GUARD, FRONT CHIP	89
-	1	1	455888-5	SPACER, CRIMPER	82
-	1	1	1803607-1	DOCUMENTATION PACKAGE	71
-	1	1	2119740-1	TAG, IDENTIFICATION	67
-	2	2	2168078-1	SCREW, DRIVE, RH, RoHS, 2 x .188	66
-	1	1	2168083-2	SCR, SKT HD CAP, RoHS, M4 X 8.0	60
-	1	1	5-18022-5	SCR, HEX HD CAP, M4 X 6.0	59
-	1	1	1338685-1	PAWL, FEED	56
-	4	4	2168083-3	SCR, SKT HD CAP, RoHS, M4 X 12.0	54
-	2	2	1-2168083-0	SCR, SKT HD CAP, RoHS, M4 X 10	53
-	1	1	5018030-1	NUT, HEX, REG, RoHS, M3	52
-	1	1	811242-5	BUMPER, HOLD DOWN	51
-	1	1	690753-2	SPACER, TONKER	50
-	1	1	18023-9	SCR, SKT HD CAP M4 X 6.0	49
-	1	1	1803583-9	APPLICATOR BASIC ASSEMBLY, SF	46
-	1	1	1803515-1	RAM ASSEMBLY, SF ATLANTIC	44
-	1	1	1803602-1	SCR, BHSC, RoHS (M8 X 25)	41
-	1	1	1752356-1	SUPPORT, TERMINAL	34
-	2	2	2079383-5	SCR, BHSC, RoHS (M4 X 20)	33
-	2	2	2-2844962-6	SPACER, CYLINDRICAL, STRIP GUIDE	30
-	1	1	2844992-1	ASSEMBLY, STRIP GUIDE	29
-	1	1	455888-3	SPACER, CRIMPER	28
-	1	1	1320928-2	STRIP GUIDE	24
-	1	1	2168083-2	SCR, SKT HD CAP, RoHS, M4 X 8.0	21
-	1	1	1-18028-2	WASHER, FLAT, REG M4	20
-	1	1	2119533-1	STRIPPER, SIDE FEED	19
	1	1	2119806-1	INSERT, SHEAR	13
-	1	1	3-22280-3	SPRING, COMPRESSION	12
-	1	1	1-356885-3	STOP, SHEAR	11
	1	1	2119805-1	SHEAR HOLDER, FRONT	10
	1	1	1803095-1	FLOATING SHEAR, FRONT	9
	1	2	1-1633139-4	ANVIL, COMBINATION	8
-	-	-	-	-	7
-	-	-	-	-	6
-	1	1	2119757-8	DEPRESSOR, SHEAR	5
-	1	1	2-238011-1	BLOCK, CRIMPER SPACER	4
	1	2	1-1803187-4	CRIMPER, INSULATION F	3
-	1	1	455888-7	SPACER, CRIMPER	2
	1	2	1-568176-3	CRIMPER, WIRE	1
-	77	72	-2	PART NO	ITEM NO

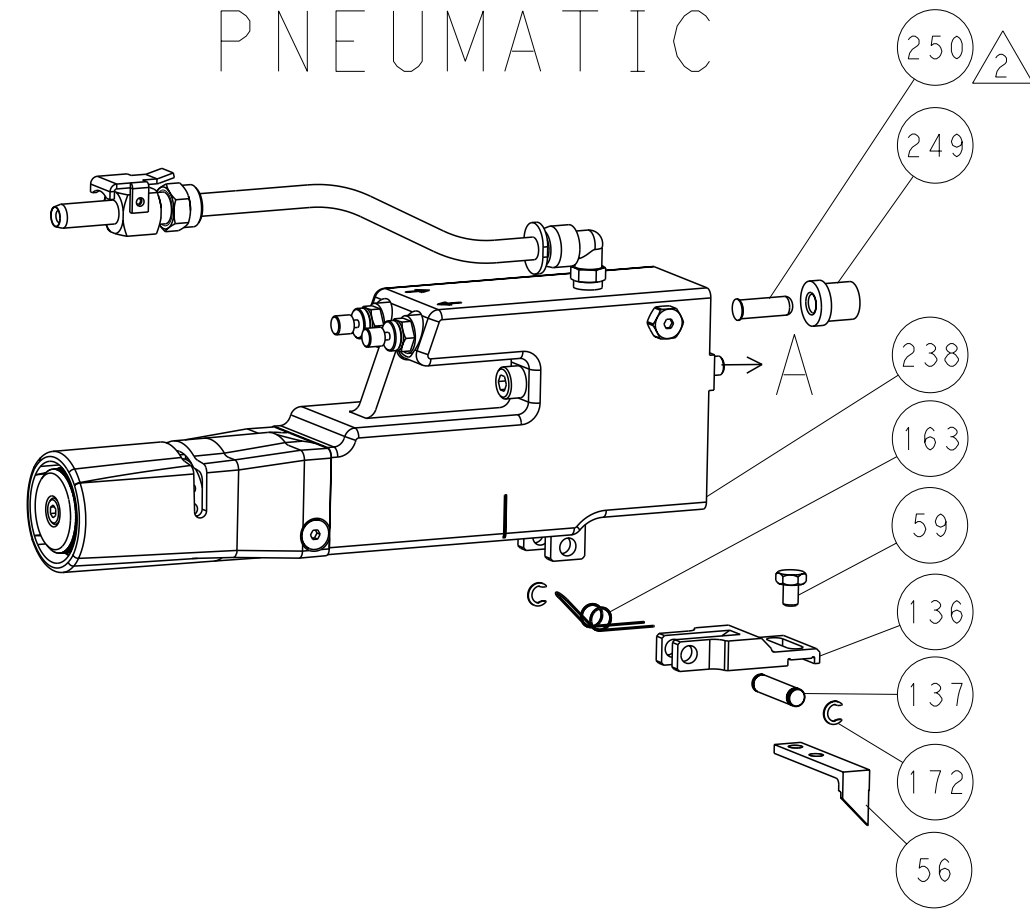
ATLANTIC VERSION
Shown on sheets 1 of 4 & 2 of 4
(Pacific version shown on sheets 3 of 4 & 4 of 4)

DIMENSIONS: mm		TOLERANCES UNLESS OTHERWISE SPECIFIED:		OWN J. HOU 28MAY2015		TE Connectivity	
0 PLC ±		1 PLC ±		CHK L. ZHAGN 28MAY2015		Harrisburg, PA 17105-3608	
2 PLC ±		3 PLC ±		APVD U. GUO 28MAY2015		NAME Ocean Side Feed Applicator	
4 PLC ±		ANGLES FINISH		PRODUCT SPEC		SIZE CAGE CODE DRAWING NO RESTRICTED TO	
MATERIAL		WEIGHT		A1 00779 C=2266805		Customer Accessible Production Drawing SCALE 1:2 SHEET 1 of 4 REV B	

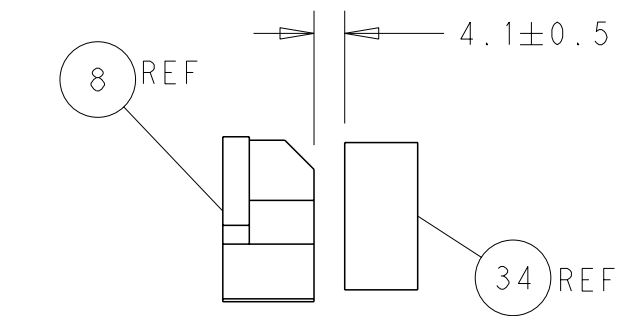
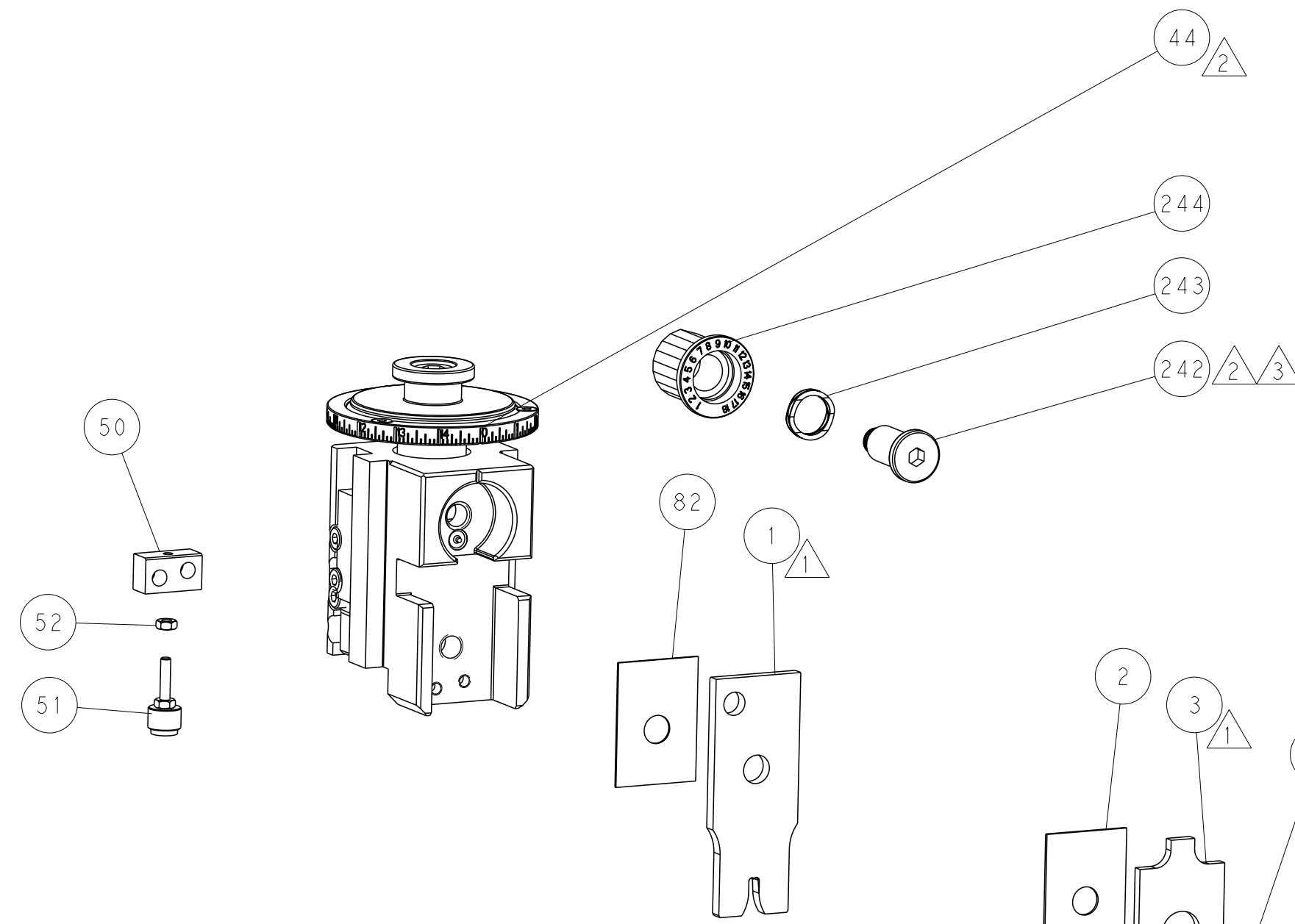
LOC	DIST	REVISIONS			
		REV	DATE	OWN	APVD
A	66	-	SEE SHEET 1	-	-

FEED TYPE

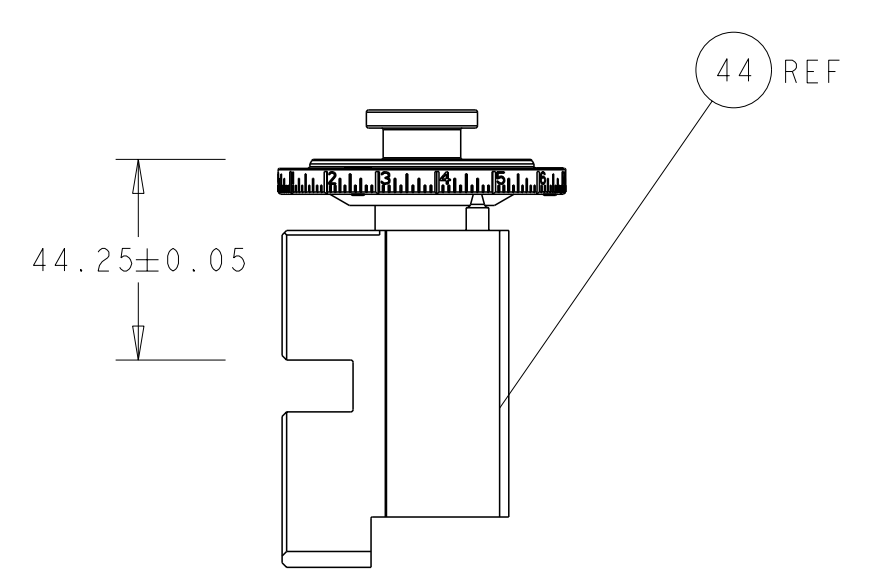
PNEUMATIC



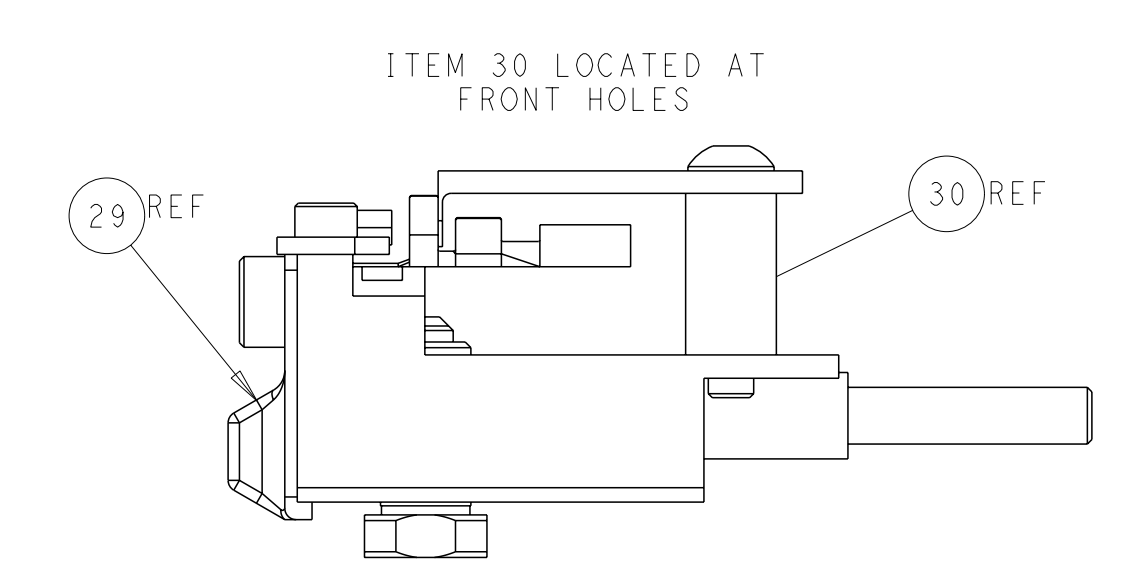
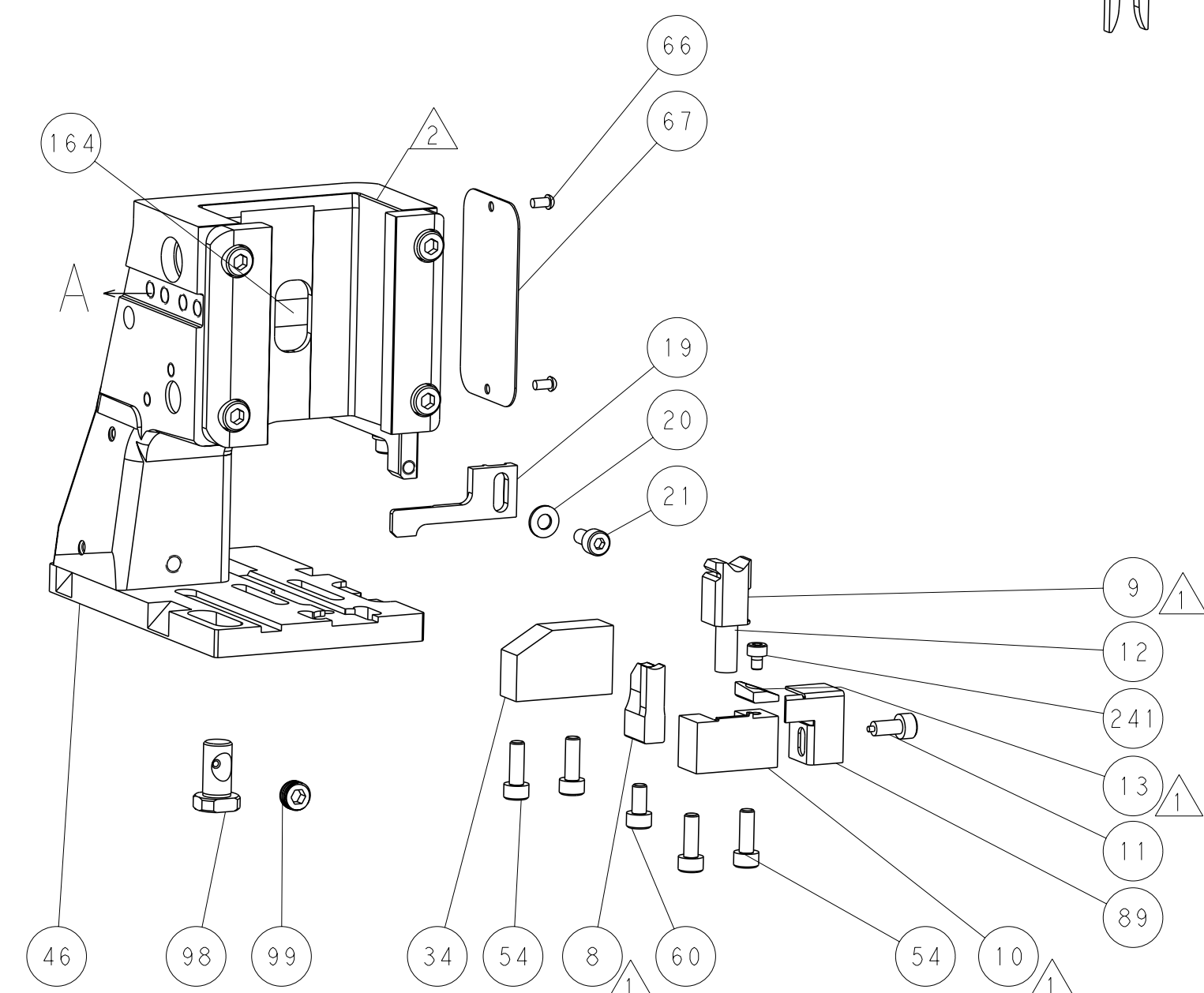
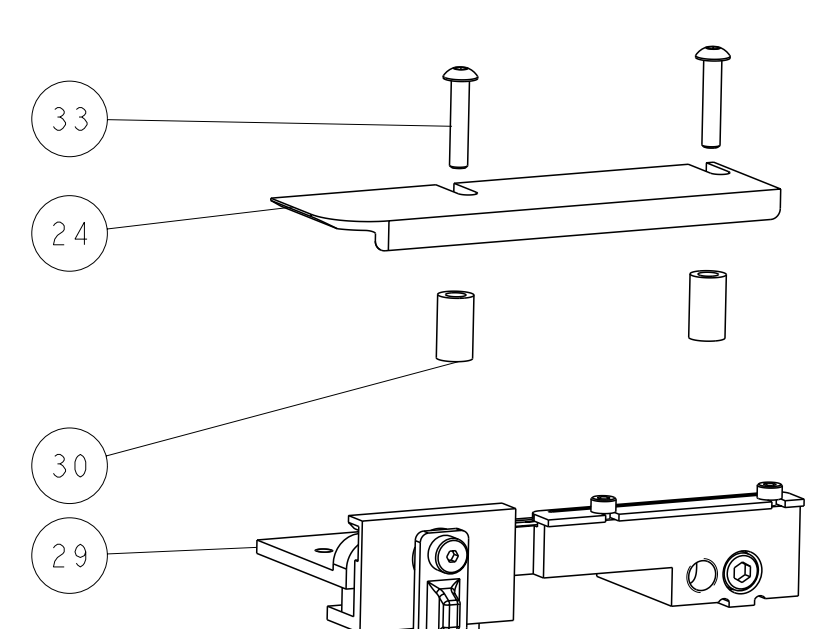
53



TERMINAL SUPPORT LOCATION

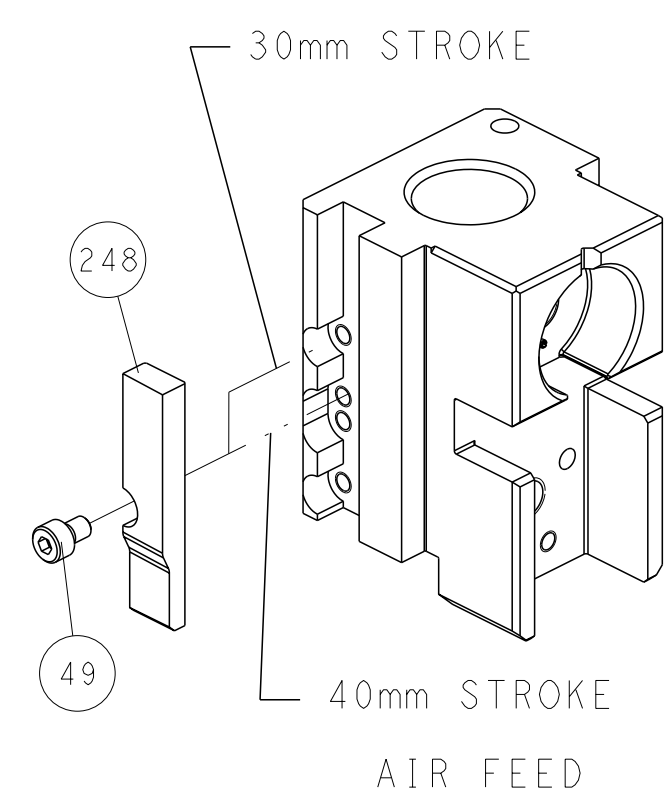


RAM SET-UP



FEED TRACK POSITION GUIDE BY INSULATION BARREL

CAM POSITIONS

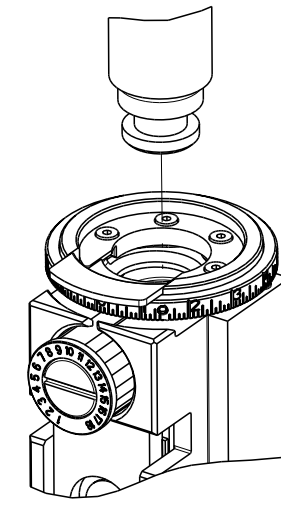


ATLANTIC VERSION
 Shown on sheets 1 of 4 & 2 of 4
 (Pacific version shown on sheets 3 of 4 & 4 of 4)

<small>THIS DRAWING IS A CONTROLLED DOCUMENT FOR TYCO ELECTRONICS CORPORATION. IT IS SUBJECT TO CHANGE AND TO CONTROLING ENGINEERING DISCRETION SHOULD BE CONTACTED FOR THE LATEST REVISION.</small>		DWN J. HOU 28MAY2015 CHK L. ZHAGN 28MAY2015 APVD U. GUO 28MAY2015	TE Connectivity Harrisburg, PA 17105-3608
DIMENSIONS: mm TOLERANCES UNLESS OTHERWISE SPECIFIED: 0 PLC ± 1 PLC ± 2 PLC ± 3 PLC ± 4 PLC ± ANGLES FINISH ±		NAME Ocean Side Feed Applicator SIZE A1 CAGE CODE 00779 DRAWING NO. C=2266805	RESTRICTED TO SCALE 1:2 SHEET 2 of 4 REV B
MATERIAL:		WEIGHT:	Customer Accessible Production Drawing

THIS DRAWING IS UNPUBLISHED.	RELEASED FOR PUBLICATION		
COPYRIGHT 20 BY TYCO ELECTRONICS CORPORATION. ALL RIGHTS RESERVED.			
PART NUMBER	REVISION	DESCRIPTION	FEED TYPE
2-2266805-2	B	FINE CRIMP HEIGHT ADJUST	PNEUMATIC
7-2266805-7	A	CRIMP TOOLING KIT	-

PACIFIC VERSION TERMINATOR
INTERFACE ADAPTER



APPLICATOR DATA		
CRIMP	SIZE	TYPE
WIRE	3.10 mm [.122]	F
INSUL	5.84 mm [.230]	F
APPLICATOR INSTRUCTIONS 408-35042		

TERMINAL DATA: YAZAKI TERMINAL YAZAKI CRIMP SPECIFICATION	
TERMINAL NAME: YAZAKI TERMINAL	
WIRE STRIP LENGTH 5.00-6.00 mm [.197-.236 IN]	INSULATION DIAMETER RANGE Ø2.60-3.80 mm [.102-.150 IN]
TERMINAL APPLICATION SPECIFICATION WA2044 Rev 2010/01/15	
TERMINALS APPLIED	
TE TERMINAL	YAZAKI TERMINAL
1949956-1	7116-2992-02

WIRE SIZE	CRIMP HEIGHT mm [INCH]	CRIMP HEIGHT REFERENCE SETTING
3.00mm2	1.80+/-0.05 [.071+/-0.002]	6.2
2.50mm2	1.65+/-0.05 [.065+/-0.002]	7.5
2.00mm2	1.55+/-0.05 [.061+/-0.002]	8.5

- 1 RECOMMENDED SPARE PARTS
- 2 REFER TO SUPPLIED INSTRUCTION SHEET FOR CLEANING, LUBRICATION AND STORAGE OF APPLICATOR.
- 3 APPLY PART NUMBER 2-23419-6 LOCTITE TO THREADS OF ITEM 242.
- 4 CRIMP HEIGHT REFERENCE SETTING WAS THE SETTING USED WHEN THE APPLICATOR WAS QUALIFIED AT THE FACTORY. ADJUSTMENT MAY BE NECESSARY WHEN RUNNING APPLICATOR IN THE FIELD.
- 5 TERMINAL PITCH NOT COMPATIBLE WITH MECHANICAL FEED.
- 6. UNLESS SPECIFIED OTHERWISE TORQUE VALUES SHALL BE USED PER DOCUMENT, 101-35000.

***WARNING**
ON INSTALLATION, SET WIRE DISC TO CRIMP HEIGHT REFERENCE SETTING FOR LARGEST WIRE SIZE. CRIMP HEIGHT REFERENCE SETTINGS GREATER THAN THE VALUE SHOWN MAY CAUSE DAMAGE TO THE CRIMP TOOLING, REFER TO THE INSTRUCTION SHEET FOR PROPER SETUP AND ADJUSTMENTS.

PACIFIC VERSION
Shown on sheets 3 of 4 & 4 of 4
(Atlantic version shown on sheets 1 of 4 & 2 of 4)

LOC	DIST	REVISIONS					
A	66	P	LY#	DESCRIPTION	DATE	OWN	APVD
		-		SEE SHEET 1	-	-	-

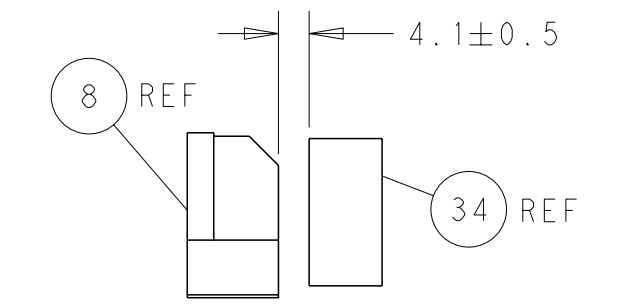
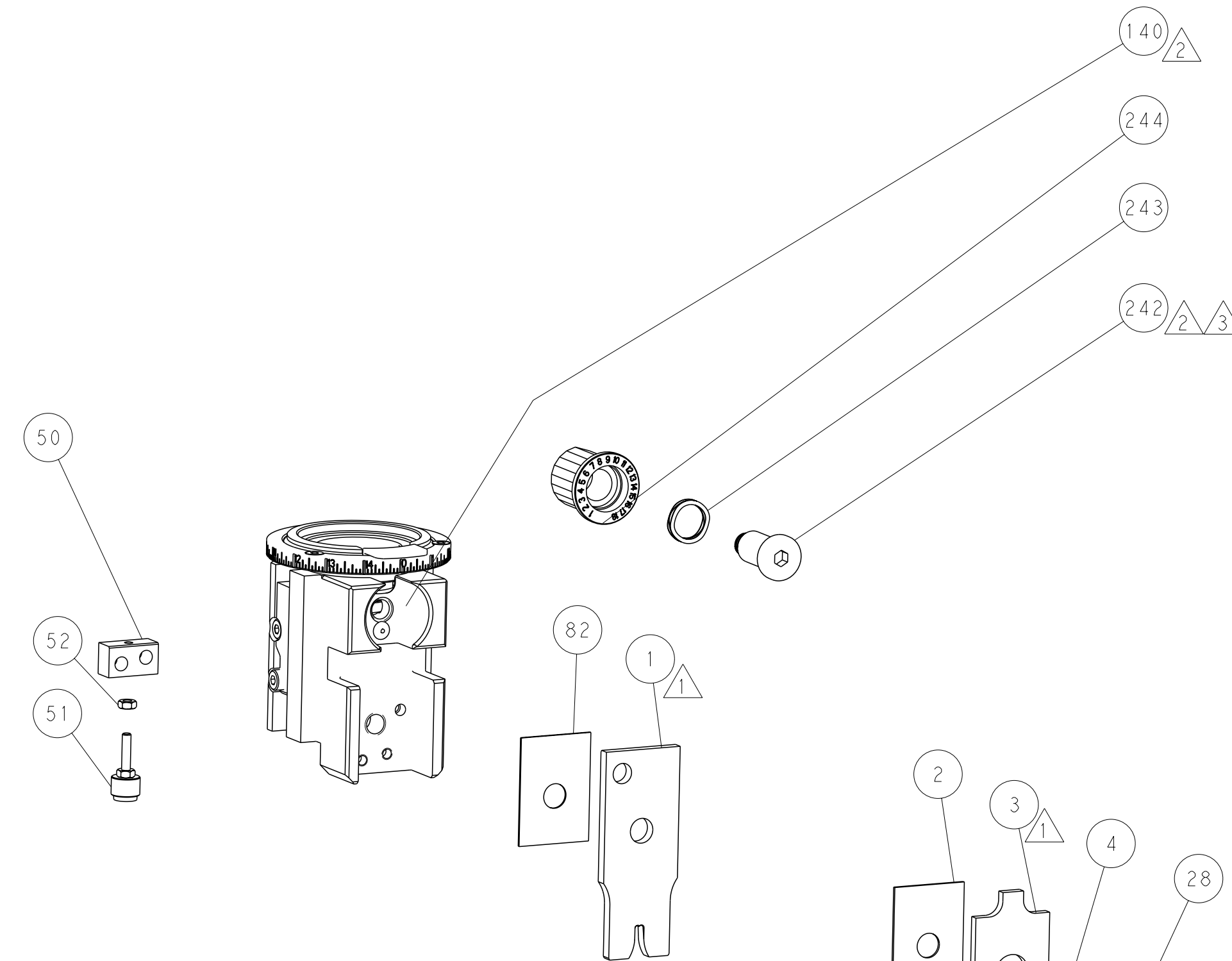
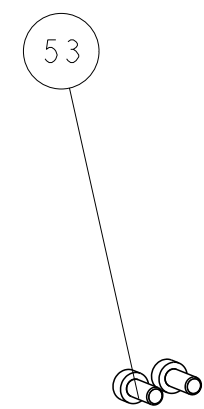
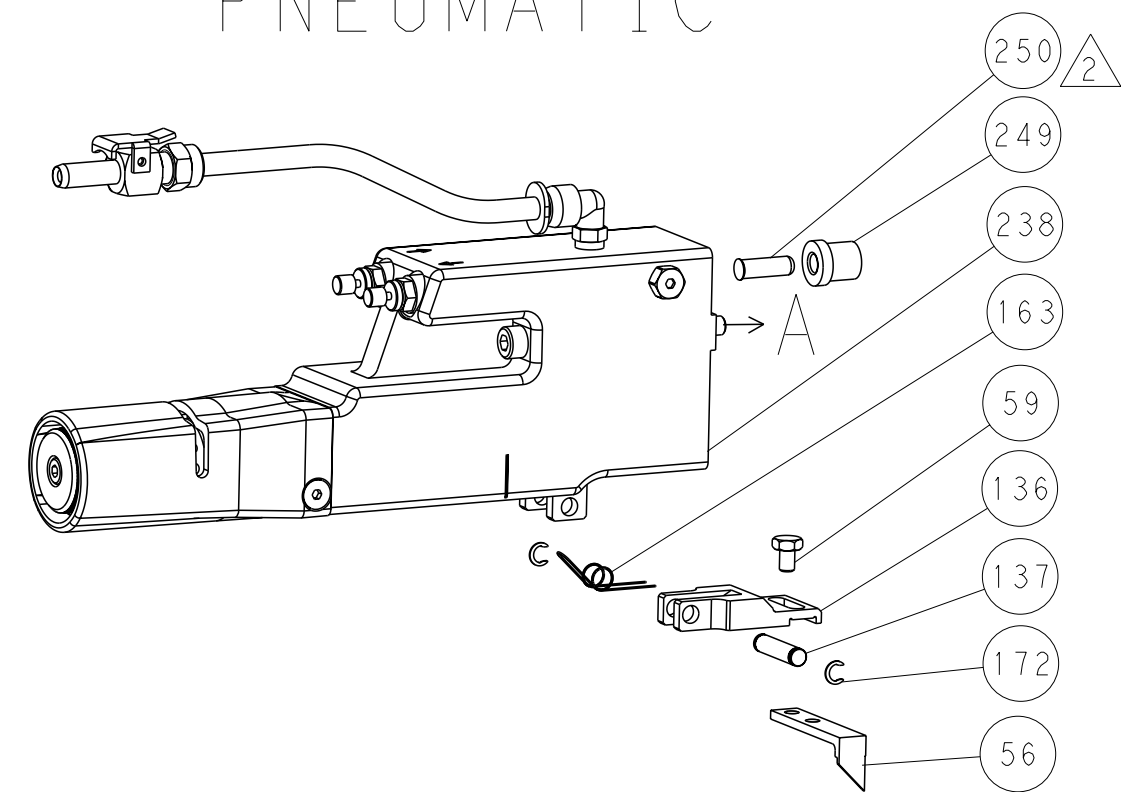
-	1	2119640-1	PUSH ROD, AIR FEED	250
-	1	1803259-1	BUSHING, FLANGED	249
-	1	2119082-3	CAM, SNAIL, INSULATION ADJUSTMENT	244
-	1	2079764-1	WASHER, WAVE SPRING, CREST-TO-CREST	243
-	1	2119083-1	RETAINER, INSULATION DIAL	242
-	1	7-18023-7	SCR, SKT HD CAP M3 X 4.0	241
-	1	2063440-2	AIR FEED MODULE	238
-	2	21045-3	RING, RETAIN, EXTERN, 3/16 CRESCENT	172
-	REF	994970-2	COUNTER, MAGNETIC	164
-	1	240638-1	SPRING, FEED FINGER	163
-	1	2119641-2	FEED CAM, AIR FEED	151
-	1	2168083-8	SCR, SKT HD CAP, RoHS, M4 X 16	144
-	4	2168083-9	SCR, SKT HD CAP, RoHS, M4 X 20	143
-	1	1-1803583-0	APPLICATOR BASIC ASSEMBLY, SF	141
-	1	1803516-1	RAM ASSEMBLY, SF PACIFIC	140
-	1	3-23627-7	PIN, RETAIN, GRVD, 3/16 X .854	137
-	1	2119799-1	HOLDER, FEED FINGER, AF	136
-	1	2844908-1	SCREW, LOCKING	99
-	1	2844907-1	POST, LOCKING	98
-	1	318563-1	GUARD, FRONT CHIP	89
-	1	455888-5	SPACER, CRIMPER	82
-	1	1803607-1	DOCUMENTATION PACKAGE	71
-	1	2119740-1	TAG, IDENTIFICATION	67
-	2	2168078-1	SCREW, DRIVE, RH, RoHS, 2 x .188	66
-	1	5-18022-5	SCR, HEX HD CAP, M4 X 6.0	59
-	1	1338685-1	PAWL, FEED	56
-	2	1-2168083-0	SCR, SKT HD CAP, RoHS, M4 X 10	53
-	1	5018030-1	NUT, HEX, REG, RoHS, M3	52
-	1	811242-5	BUMPER, HOLD DOWN	51
-	1	690753-2	SPACER, TONKER	50
-	1	18023-9	SCR, SKT HD CAP M4 X 6.0	49
-	1	1803602-1	SCR, BHSC, RoHS (M8 X 25)	41
-	1	1752356-1	SUPPORT, TERMINAL	34
-	2	2079383-5	SCR, BHSC, RoHS (M4 X 20)	33
-	2	2-2844962-6	SPACER, CYLINDRICAL, STRIP GUIDE	30
-	1	2844992-1	ASSEMBLY, STRIP GUIDE	29
-	1	455888-3	SPACER, CRIMPER	28
-	1	1320928-2	STRIP GUIDE	24
-	1	2168083-2	SCR, SKT HD CAP, RoHS, M4 X 8.0	21
-	1	1-18028-2	WASHER, FLAT, REG M4	20
-	1	2119533-1	STRIPPER, SIDE FEED	19
-	1	2119806-1	INSERT, SHEAR	13
-	1	3-22280-3	SPRING, COMPRESSION	12
-	1	1-356885-3	STOP, SHEAR	11
-	1	2119805-1	SHEAR HOLDER, FRONT	10
-	1	1803095-1	FLOATING SHEAR, FRONT	9
-	1	9-1633139-4	ANVIL, COMBINATION	8
-	-	-	-	7
-	-	-	-	6
-	1	2119757-8	DEPRESSOR, SHEAR	5
-	1	2-238011-1	BLOCK, CRIMPER SPACER	4
-	1	2-1803187-4	CRIMPER, INSULATION F	3
-	1	455888-7	SPACER, CRIMPER	2
-	1	1-568176-3	CRIMPER, WIRE	1
-	77	-22	PART NO	ITEM NO

DIMENSIONS: mm		TOLERANCES UNLESS OTHERWISE SPECIFIED:		OWN J. HOU 28MAY2015		CHK L. ZHAGN 28MAY2015		APVD U. GUO 28MAY2015		NAME	
0 PLC ±		1 PLC ±		2 PLC ±		3 PLC ±		4 PLC ±		SIZE CAGE CODE DRAWING NO	
ANGLES FINISH		MATERIAL		WEIGHT		SCALE		SHEET		REV	
						A1 00779 C=2266805		3 OF 4		B	

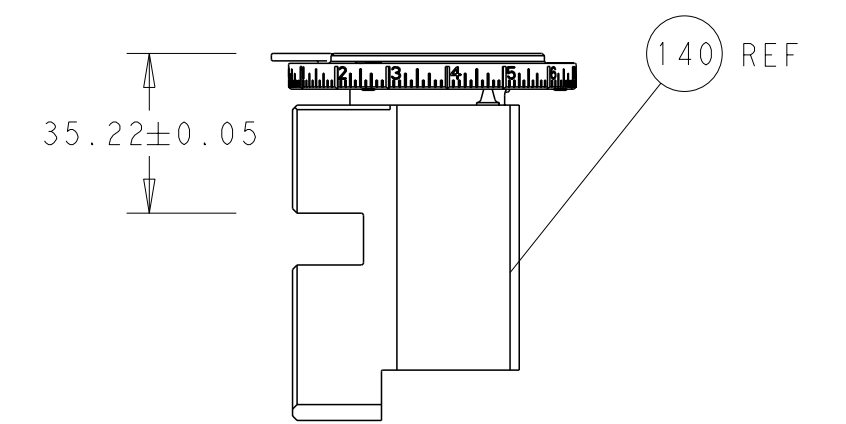
LOC	DIST	REVISIONS			
		REV	DATE	OWN	APVD
A	66	1			
		2			
		3			
		4			
		5			
		6			
		7			
		8			
		9			
		10			
		11			
		12			
		13			
		14			
		15			
		16			
		17			
		18			
		19			
		20			
		21			
		22			
		23			
		24			
		25			
		26			
		27			
		28			
		29			
		30			
		31			
		32			
		33			
		34			
		35			
		36			
		37			
		38			
		39			
		40			
		41			
		42			
		43			
		44			
		45			
		46			
		47			
		48			
		49			
		50			
		51			
		52			
		53			
		54			
		55			
		56			
		57			
		58			
		59			
		60			
		61			
		62			
		63			
		64			
		65			
		66			
		67			
		68			
		69			
		70			
		71			
		72			
		73			
		74			
		75			
		76			
		77			
		78			
		79			
		80			
		81			
		82			
		83			
		84			
		85			
		86			
		87			
		88			
		89			
		90			
		91			
		92			
		93			
		94			
		95			
		96			
		97			
		98			
		99			
		100			
		101			
		102			
		103			
		104			
		105			
		106			
		107			
		108			
		109			
		110			
		111			
		112			
		113			
		114			
		115			
		116			
		117			
		118			
		119			
		120			
		121			
		122			
		123			
		124			
		125			
		126			
		127			
		128			
		129			
		130			
		131			
		132			
		133			
		134			
		135			
		136			
		137			
		138			
		139			
		140			
		141			
		142			
		143			
		144			
		145			
		146			
		147			
		148			
		149			
		150			
		151			

FEED TYPE

PNEUMATIC

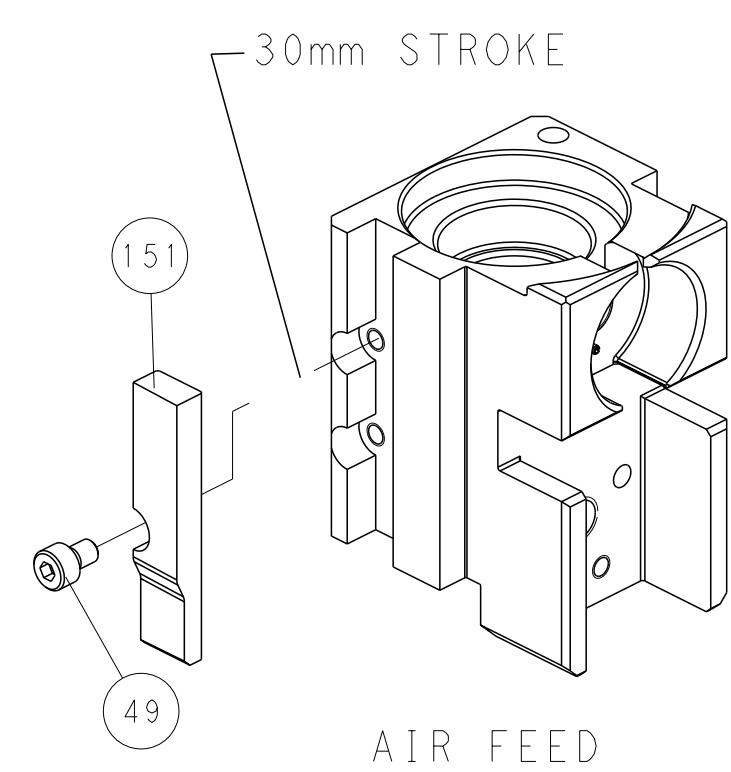


TERMINAL SUPPORT LOCATION

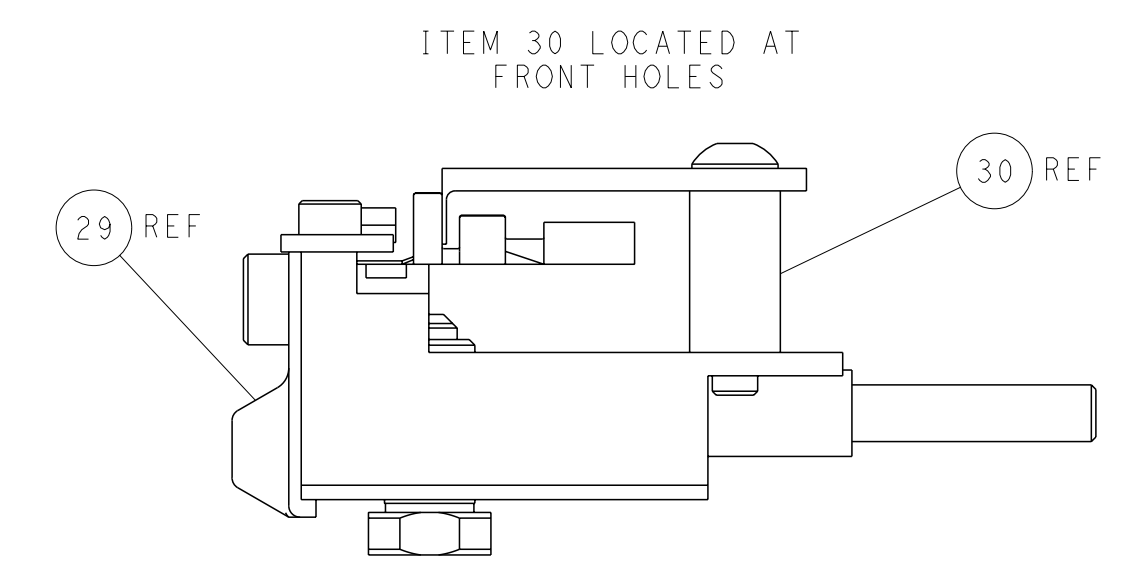
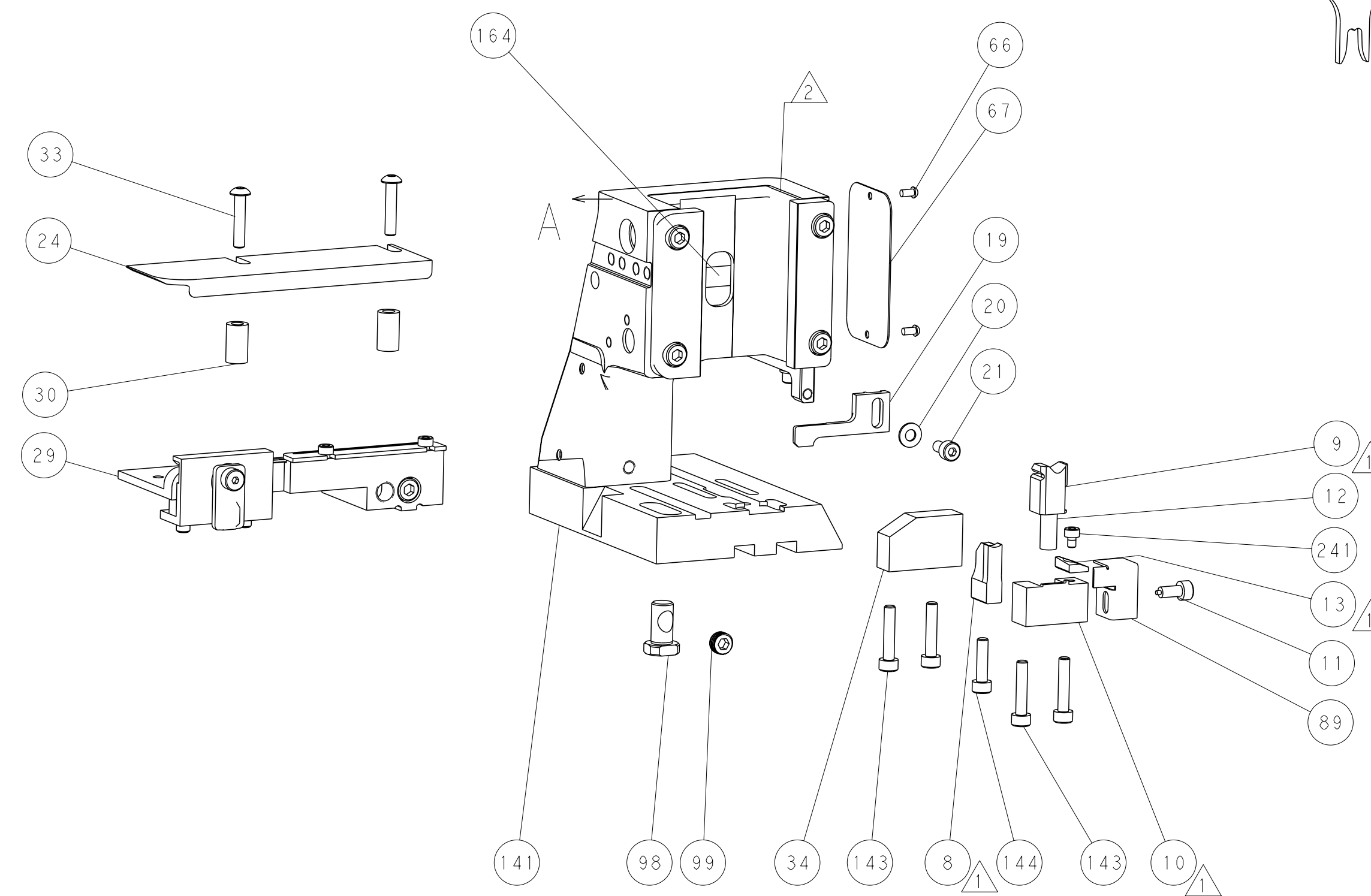


RAM SET-UP

CAM POSITIONS



AIR FEED



FEED TRACK POSITION GUIDE BY INSULATION BARREL

PACIFIC VERSION
 Shown on sheets 3 of 4 & 4 of 4
 (Atlantic version shown on sheets 1 of 4 & 2 of 4)

<small>THIS DRAWING IS A CONTROLLED DOCUMENT FOR TYCO ELECTRONICS CORPORATION. IT IS SUBJECT TO CHANGE AND THE CONTROL AND ISSUING ORGANIZATION SHOULD BE CONTACTED FOR THE LATEST REVISION.</small>		OWN: J. HOU CHK: L. ZHAGN APVD: U. GUO	DATE: 28MAY2015 DATE: 28MAY2015 DATE: 28MAY2015	NAME: Ocean Side Feed Applicator	SIZE: A1 CAGE CODE: 00779 DRAWING NO: C=2266805	RESTRICTED TO:
DIMENSIONS: mm TOLERANCES UNLESS OTHERWISE SPECIFIED: 0 PLC ± 1 PLC ± 2 PLC ± 3 PLC ± 4 PLC ± ANGLES FINISH ±	TOLERANCES UNLESS OTHERWISE SPECIFIED: 0 PLC ± 1 PLC ± 2 PLC ± 3 PLC ± 4 PLC ± ANGLES FINISH ±	WEIGHT:	SCALE: 1:2	SHEET: 4 of 4	REV: B	CUSTOMER ACCESSIBLE PRODUCTION DRAWING