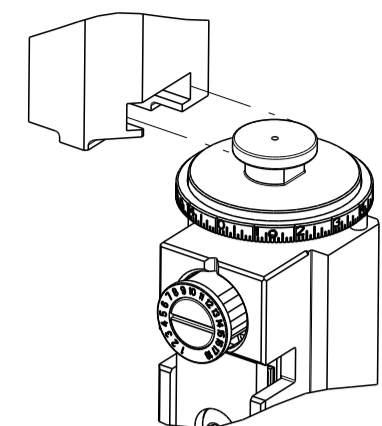


PART NUMBER	REVISION	DESCRIPTION	FEED TYPE
2836526-2	J	FINE CRIMP HEIGHT ADJUST	PNEUMATIC
3-2836526-2	J	FINE CRIMP HEIGHT ADJUST	DOUBLE ACTING PNEUMATIC WITH SENSORS
7-2836526-7	D	CRIMP TOOLING KIT	-

ATLANTIC VERSION TERMINATOR INTERFACE ADAPTER



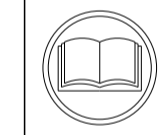
APPLICATOR DATA		
CRIMP	SIZE	TYPE
WIRE	3.61 mm [.142]	○
INSUL	6.86 mm [.270]	○

APPLICATOR INSTRUCTIONS
408-35042

TERMINAL DATA: TE TERMINAL		TE CRIMP SPECIFICATION	
TERMINAL NAME: OUTER FERRULE, 180 DEGREE, SEALED FAKRA			
WIRE STRIP LENGTH		INSULATION DIAMETER RANGE	
114-32145		∅3.40-3.70 mm [.134-.146 IN]	

TE TERMINAL	TE TERMINAL	TE SEAL	TE SEAL	CABLE DIAMETER
2272633-3		2301641-3	963245-1	∅ 3.40-3.70mm

WIRE SIZE	CRIMP HEIGHT mm [INCH]	CRIMP HEIGHT REFERENCE SETTING
RTK-031		7.5
DACAR 302		7.9



- △ RECOMMENDED SPARE PARTS
- △ REFER TO SUPPLIED INSTRUCTION SHEET FOR CLEANING, LUBRICATION AND STORAGE OF APPLICATOR.
- △ APPLY PART NUMBER 1-23419-5 LOCTITE TO THREADS OF ITEMS 180. APPLY PART NUMBER 2-23419-6 LOCTITE TO THREADS OF ITEM 242.
- △ CRIMP HEIGHT REFERENCE SETTING WAS THE SETTING USED WHEN THE APPLICATOR WAS QUALIFIED AT THE FACTORY. ADJUSTMENT MAY BE NECESSARY WHEN RUNNING APPLICATOR IN THE FIELD.
- △ APPLY TORQ-SEAL IN ALLEN SOCKET TO FILL HOLE AFTER FLAT HD HAS BEEN ADJUSTED TO CORRECT HEIGHT AT QUALIFICATION. APPLY #1-23419-5 LOC-TITE TO THREADS.
- △ TERMINAL PITCH NOT COMPATIBLE WITH MECHANICAL FEED.
- △ SEE APPLICATION SPECIFICATION 114-32145 FOR SOLDER DIAMETER TO VERIFY BRAID CRIMP HEIGHT.
- △ SEE APPLICATION SPECIFICATION 114-32145 FOR RECOMMENDED STRIP LENGTH DIMENSIONS.
- △ MUST FEED OFF OF SLOT.
- 10. UNLESS SPECIFIED OTHERWISE TORQUE VALUES SHALL BE USED PER DOCUMENT, 101-35000.
- △ THIS APPLICATOR IS EQUIPPED WITH THE DOUBLE ACTING FEED WITH SENSORS AND IS APPLICATION SPECIFIC. IT DOES NOT REQUIRE ITEMS 49 & 248.
- △ DIMENSION BETWEEN MALE AND FEMALE PRODUCT DIFFERENT:
TCPN 2203264-8 (MALE):
ITEM 34 - TERMINAL, SUPPORT - 5.15±0.1MM
TCPN 2203274-3 (FEMALE):
ITEM 34 - TERMINAL, SUPPORT - 6.15±0.1MM

***WARNING**
ON INSTALLATION, SET WIRE DISC TO CRIMP HEIGHT REFERENCE SETTING FOR LARGEST WIRE SIZE. CRIMP HEIGHT REFERENCE SETTINGS GREATER THAN THE VALUE SHOWN MAY CAUSE DAMAGE TO THE CRIMP TOOLING, REFER TO THE INSTRUCTION SHEET FOR PROPER SETUP AND ADJUSTMENTS.

LOC	DIST	REVISIONS			
A	66	REV	DATE	BY	APPV
G		ECR-22-142821	17JUN2022	TB	JAH
G1		ECR-23-165437	06FEB2023	FZ	JAH
H		ECR-23-169570	17MAR2023	FZ	JAH
J		ECR-24-216763	05AUG2024	LS	GD

-	1	1	6-1803945-3	TONKER -	300
-	1	1	22278-9	SPRING, COMPRESSION	299
-	2	2	4-18032-3	SCR, SET, FLT PNT, M3 X 6.0	298
-	1	1	1803944-1	SPACER, TONKER	297
-	1	-	2844950-1	AIR FEED MODULE	290
-	2	2	2168083-1	SCR, SKT HD CAP, RoHS, M3 X 8.0	269
-	1	1	1-1633782-4	FENCE	267
-	1	1	1-455888-0	SPACER, CRIMPER -	261
-	1	1	1803078-2	SPACER, PRECISION	259
-	-	1	2119641-1	FEED CAM, AIR FEED	248
-	1	1	2119082-5	CAM, SNAIL, INSULATION ADJUSTMENT	244
-	1	1	2079764-1	WASHER, WAVE SPRING, CREST-TO-CREST	243
-	1	1	2119083-1	RETAINER, INSULATION DIAL	242
-	1	1	7-18023-7	SCR, SKT HD CAP M3 X 4.0	241
-	-	1	2844940-1	AIR FEED MODULE	238
-	REF	REF	994970-2	COUNTER, MAGNETIC	164
-	1	1	1-22281-8	SPRING, COMPRESSION	121
-	1	1	2844908-1	SCREW, LOCKING	99
-	1	1	2844907-1	POST, LOCKING	98
-	1	1	1-690438-0	FRONT STRIP GUIDE	96
-	2	2	2168083-1	SCR, SKT HD CAP, RoHS, M3 X 8.0	95
-	1	1	2168083-6	SCR, SKT HD CAP, RoHS, M5 X 65	93
-	1	1	318563-1	GUARD, FRONT CHIP	89
-	1	1	1-455888-0	SPACER, CRIMPER -	82
-	1	1	1803607-3	DOCUMENTATION PACKAGE	71
-	1	1	2119791-9	DEPRESSOR, WIRE	70
-	1	1	2119943-1	WASHER, SPACER	69
-	1	1	2119740-1	TAG, IDENTIFICATION	67
-	2	2	2168078-1	SCREW, DRIVE, RH, RoHS, 2 x .188	66
-	2	2	2-18032-5	SCR, SET, FLT PNT, M5 X 20.0	61
-	1	1	2168083-2	SCR, SKT HD CAP, RoHS, M4 X 8.0	60
-	1	1	5-18022-5	SCR, HEX HD CAP, M4 X 6.0	59
-	1	1	5018030-1	NUT, HEX, REG, RoHS, M3	58
-	1	1	1-2168083-3	SCR, SKT HD CAP, RoHS, M3 X 16	57
-	1	1	1338685-3	PAWL, FEED	56
-	4	4	2168083-3	SCR, SKT HD CAP, RoHS, M4 X 12.0	54
-	2	2	2168083-8	SCR, SKT HD CAP, RoHS, M4 X 16	53
-	-	1	18023-9	SCR, SKT HD CAP M4 X 6.0	49
-	1	1	1-1803583-7	APPLICATOR BASIC ASSEMBLY, SF	46
-	1	1	1803515-2	RAM ASSEMBLY, SF ATLANTIC	44
-	1	1	1803602-2	SCR, BHSC, RoHS (M8 X 40)	41
-	1	1	2487541-2	TERMINAL SUPPORT, ADJUSTABLE	34
-	2	2	1-2079383-3	SCR, BHSC, RoHS (M4 X 25)	33
-	2	2	3-2844962-5	SPACER, CYLINDRICAL, STRIP GUIDE	30
-	1	1	2-2844938-4	PLATE, STRIP GUIDE -	29
-	1	1	1-455888-0	SPACER, CRIMPER -	28
-	2	2	22283-1	SPRING, COMPRESSION	27
-	1	1	356835-1	LEVER, DRAG RELEASE	26
-	1	1	240792-1	DRAG, TERMINAL	25
-	1	1	1320928-2	STRIP GUIDE -	24
-	1	1	980371-4	SCR, SKT HD SHLDR 5.0 DIA X 6.0	23
-	1	1	2119806-1	INSERT, SHEAR	13
-	1	1	3-22280-3	SPRING, COMPRESSION	12
-	1	1	1-18023-1	SCR, SKT HD CAP M4 X 10.0	11
-	1	1	2-2119805-3	SHEAR HOLDER, FRONT -	10
-	1	1	1803808-1	FLOATING SHEAR, FRONT SPECIAL	9
-	1	1	1803813-3	ANVIL, COMBINATION SPECIAL	8
-	1	1	2-240641-4	SPACER	7
-	-	-	-	-	6
-	1	1	2-1803080-0	DEPRESSOR, SHEAR	5
-	1	1	2-238011-1	BLOCK, CRIMPER SPACER	4
-	1	1	9-2119784-9	CRIMPER, INSULATION O PREMIUM	3
-	1	1	455888-2	SPACER, CRIMPER -	2
-	1	1	3-1633723-1	CRIMPER, WIRE O -	1

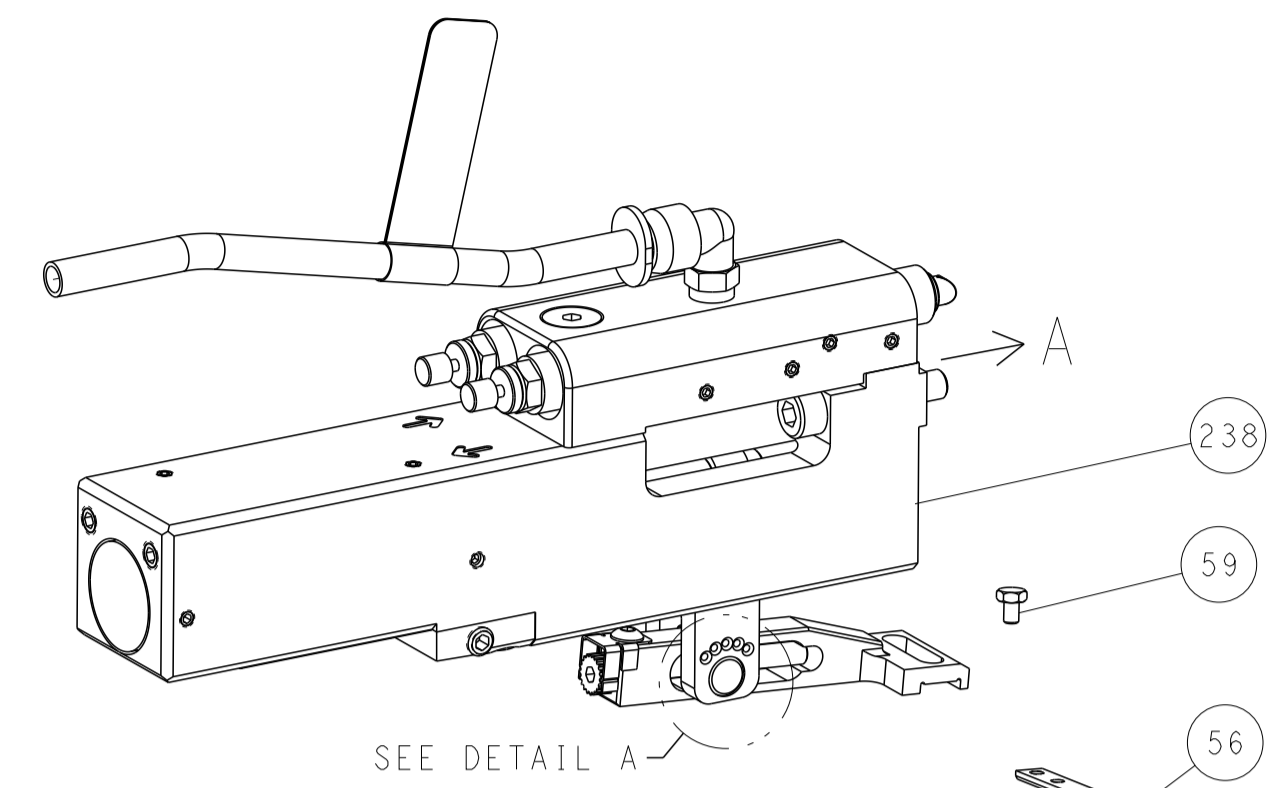
DIMENSIONS:		TOLERANCES UNLESS OTHERWISE SPECIFIED:		MATERIAL:		FINISH:	
mm	0 PLC ±	1 PLC ±	2 PLC ±	3 PLC ±	4 PLC ±	ANGLES ±	FINISH ±

OWN	CHK	APPV	NAME	SIZE	CAGE CODE	DRAWING NO	RESTRICTED TO
M. HERR	T. ELBIN	T. ELBIN	Ocean Side Feed Applicator	A1	00779	2836526	-

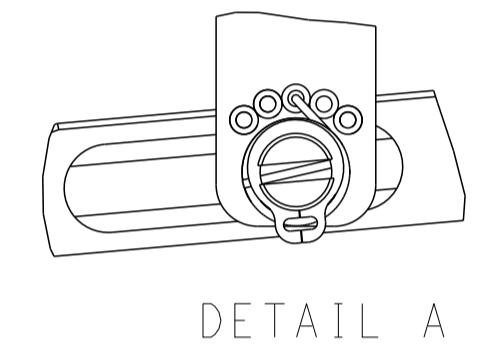
Customer Accessible Production Drawing SCALE 1:2 SHEET 1 OF 4 REV J

LOC	DIST	REVISIONS					
A	66	P	LTN	DESCRIPTION	DATE	OWN	APVD
		-		SEE SHEET 1			

FEED TYPE PNEUMATIC

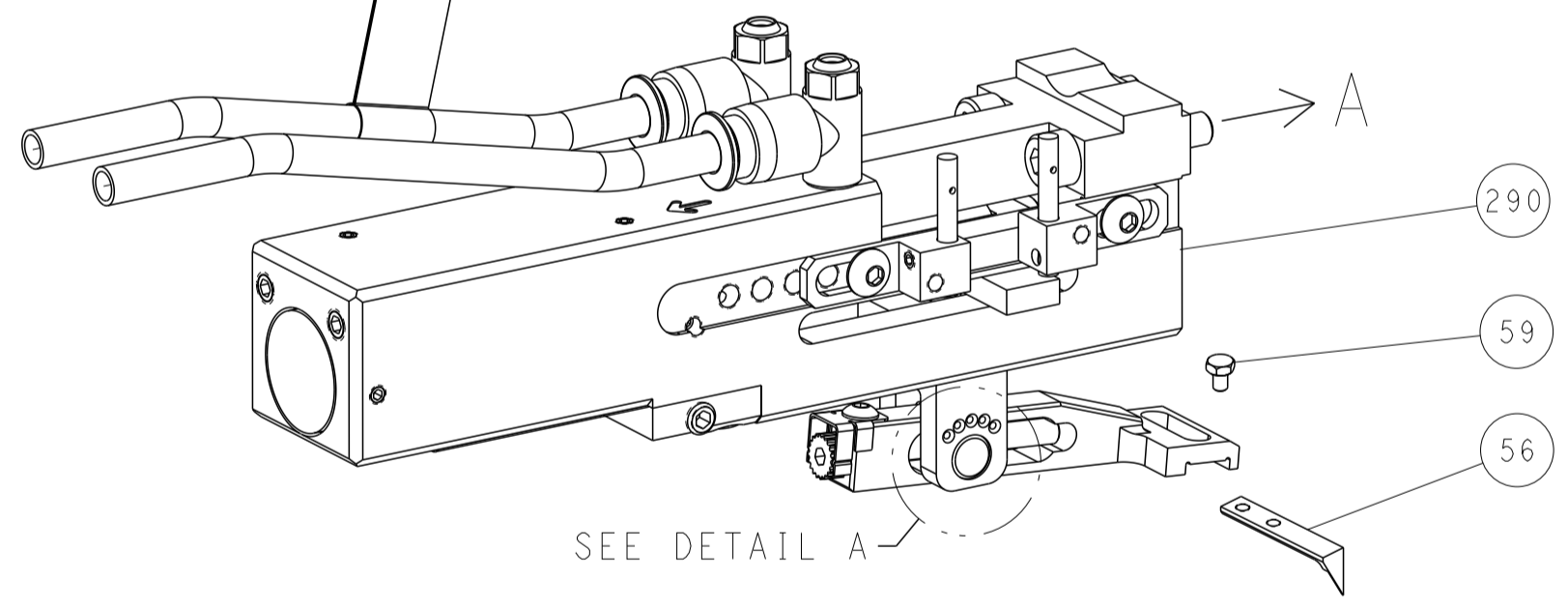


SEE DETAIL A
 FEED SPRING SETTING POSITION
 (SHOWN FROM REAR SIDE)



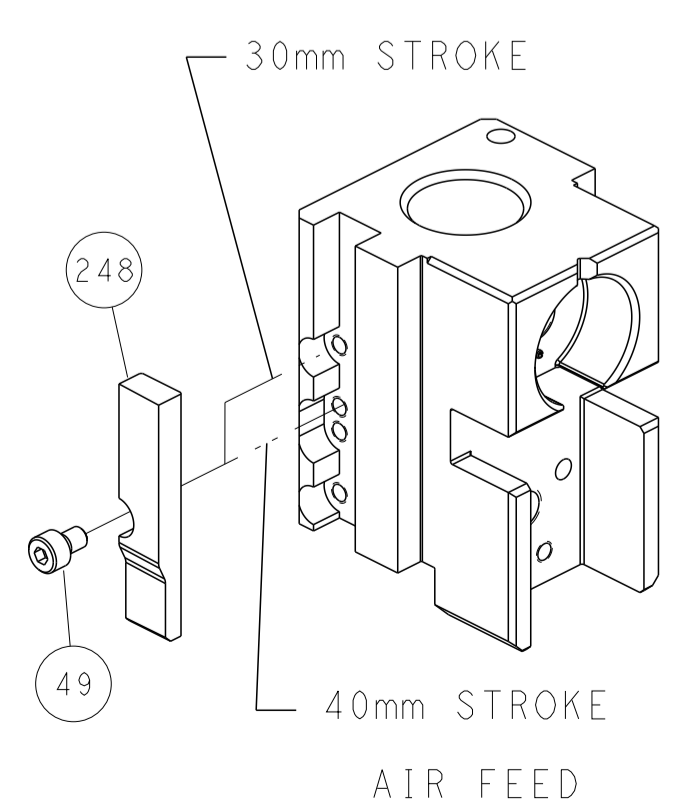
DETAIL A

DOUBLE ACTING PNEUMATIC WITH SENSORS

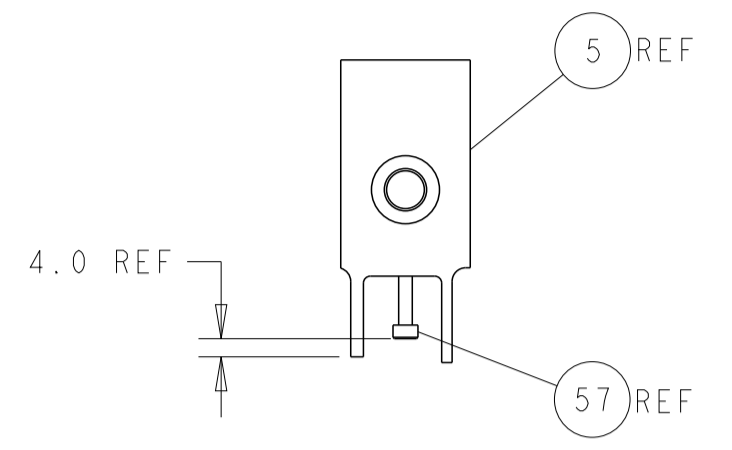
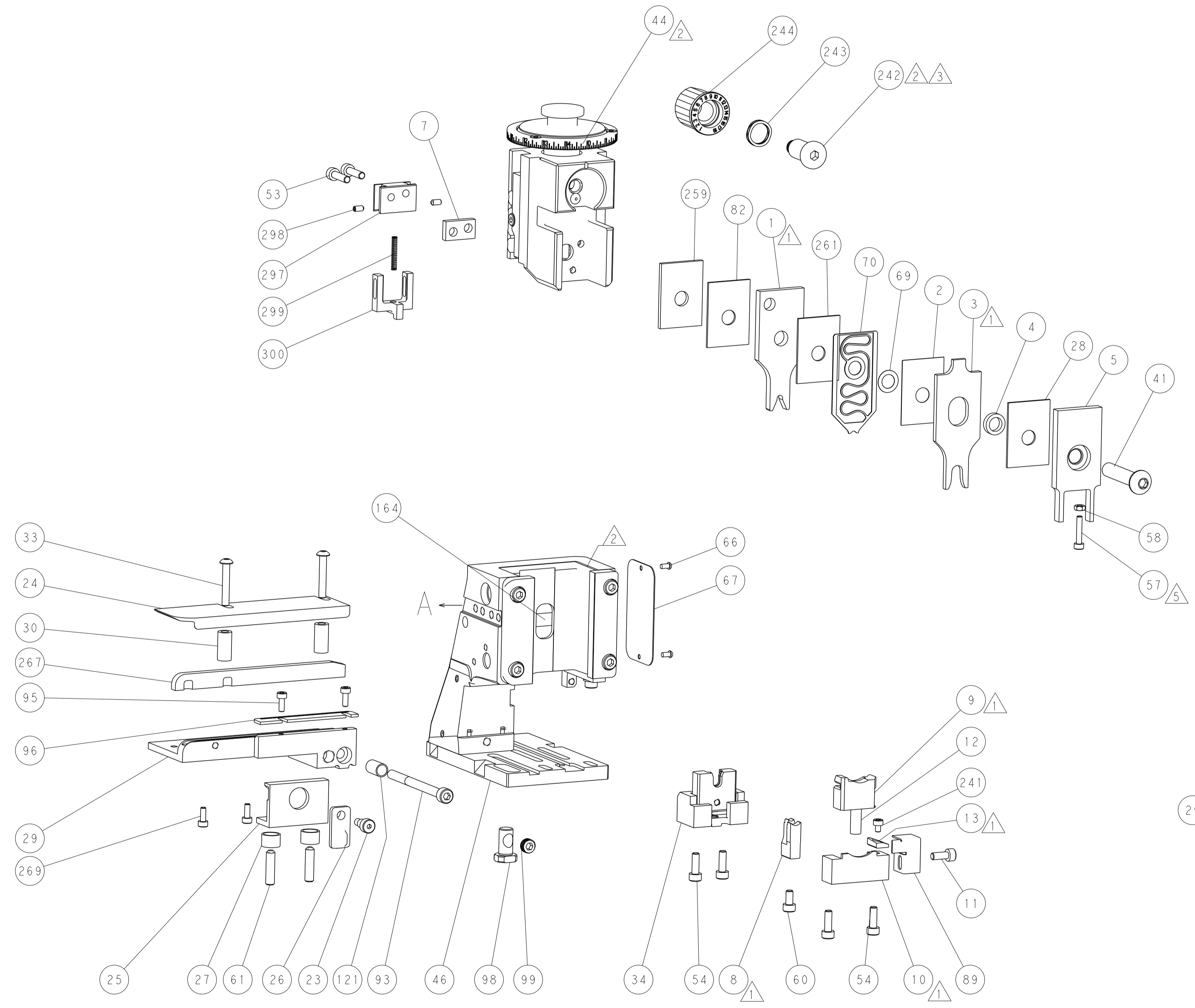


SEE DETAIL A

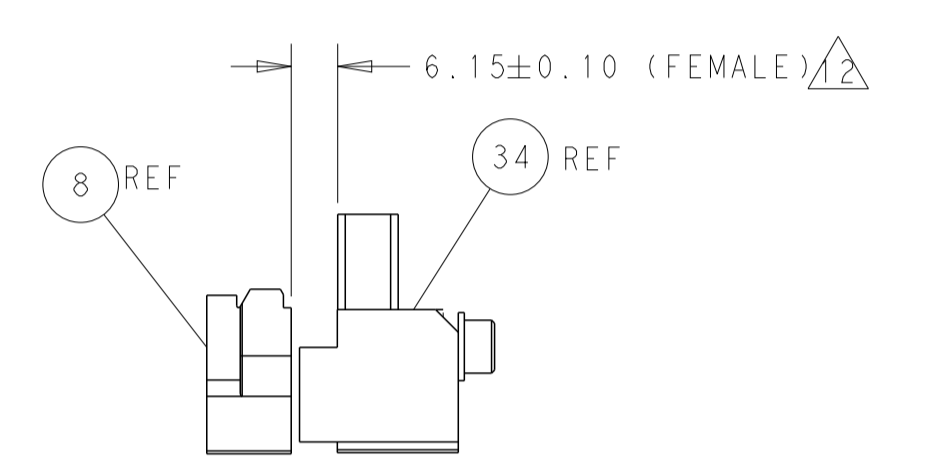
CAM POSITION



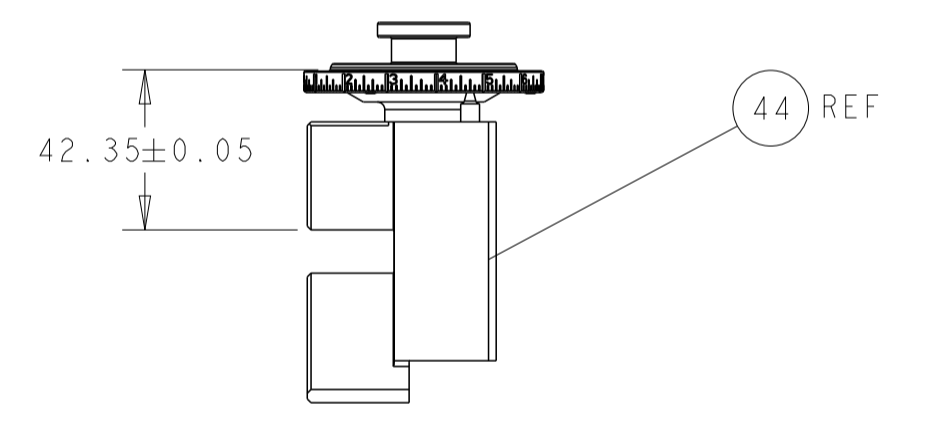
AIR FEED



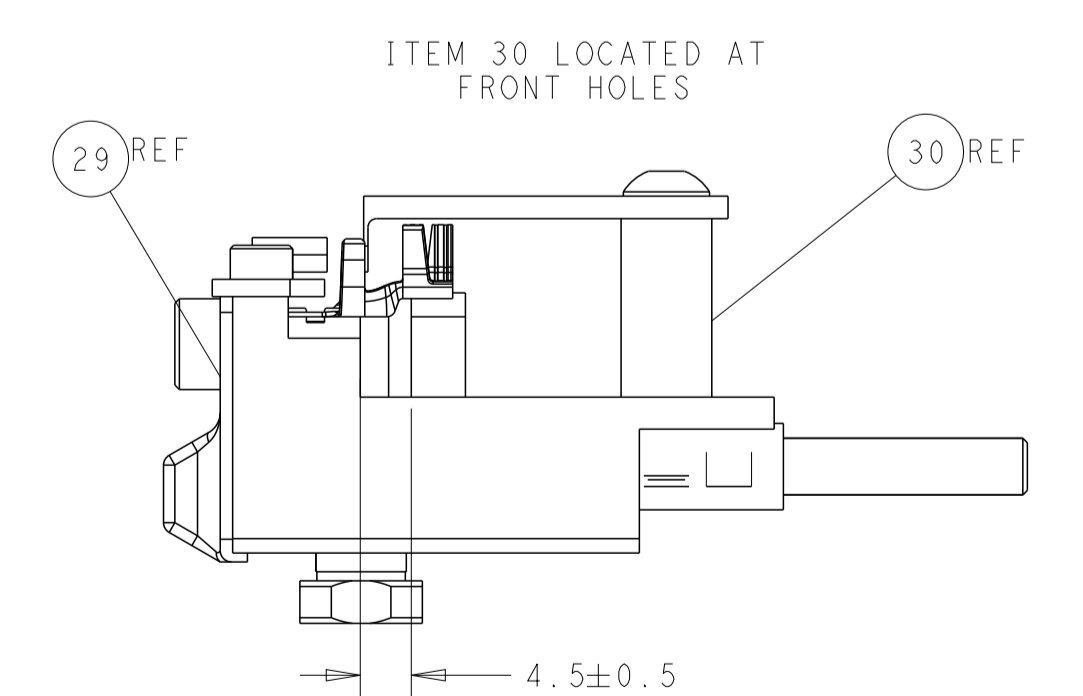
SHEAR DEPRESSOR DETAIL



TERMINAL SUPPORT LOCATION



RAM AND HOLDDOWN SET-UP



FEED TRACK POSITION
GUIDE BY INSULATION BARREL

DIMENSIONS: mm 		TOLERANCES UNLESS OTHERWISE SPECIFIED: 0 PLC ± 1 PLC ± 2 PLC ± 3 PLC ± 4 PLC ± ANGLES ± FINISH		DWN M_HERR 08NOV2016 CHK T_ELBIN 08NOV2016 APVD T_ELBIN 08NOV2016 PRODUCT SPEC APPLICATION SPEC WEIGHT SCALE 1:2		NAME Ocean Side Feed Applicator SIZE CAGE CODE DRAWING NO. RESTRICTED TO A1 00779 C=2836526 SHEET 2 OF 4 REV J	
MATERIAL: - FINISH: -				CUSTOMER ACCESSIBLE PRODUCTION DRAWING			