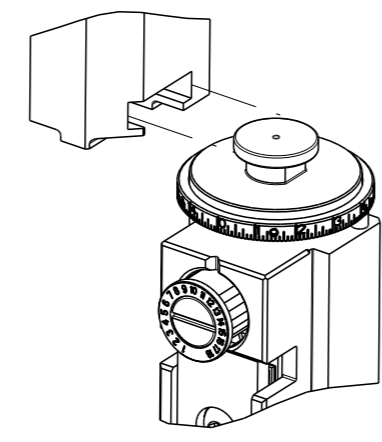


| PART NUMBER | REVISION | DESCRIPTION                      | FEED TYPE  |
|-------------|----------|----------------------------------|------------|
| 2837084-1   | B        | FINE CRIMP HEIGHT ADJUST         | MECHANICAL |
| 2837084-2   | B        | FINE CRIMP HEIGHT ADJUST         | PNEUMATIC  |
| 7-2837084-1 | B        | MECHANICAL AND CRIMP TOOLING KIT | MECHANICAL |
| 7-2837084-2 | B        | PNEUMATIC AND CRIMP TOOLING KIT  | PNEUMATIC  |
| 7-2837084-7 | A        | CRIMP TOOLING KIT                | -          |

ATLANTIC VERSION TERMINATOR INTERFACE ADAPTER

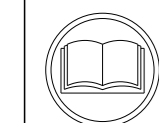


| APPLICATOR DATA |                |      |
|-----------------|----------------|------|
| CRIMP           | SIZE           | TYPE |
| WIRE            | 2.79 mm [.110] | F    |
| INSUL           | 3.94 mm [.155] | F    |

APPLICATOR INSTRUCTIONS 408-35042

| TERMINAL DATA: TE TERMINAL                            |                             | TE CRIMP SPECIFICATION             |                              |
|-------------------------------------------------------|-----------------------------|------------------------------------|------------------------------|
| TERMINAL NAME: JUNIOR POWER TIMER LAYOUT WITH BARRIER |                             |                                    |                              |
| WIRE STRIP LENGTH                                     | 4.50-5.50 mm [.177-.217 IN] | TERMINAL INSULATION DIAMETER RANGE | Ø2.63-3.50 mm [.103-.138 IN] |
| TERMINAL APPLICATION SPECIFICATION                    | 114-15051                   |                                    |                              |
| TERMINALS APPLIED                                     |                             |                                    |                              |
| TE TERMINAL                                           | TE TERMINAL                 | TE TERMINAL                        | TE TERMINAL                  |
| 144432-1                                              | 144432-2                    | 144432-3                           |                              |

| WIRE SIZE | CRIMP HEIGHT mm [INCH]     | CRIMP HEIGHT REFERENCE SETTING |
|-----------|----------------------------|--------------------------------|
| 3.00mm2   | 2.05+/-0.05 [.081+/-0.002] | 4.0                            |
| 2.50mm2   | 1.90+/-0.05 [.075+/-0.002] | 5.4                            |
| 2.00mm2   | 1.76+/-0.05 [.069+/-0.002] | 7.0                            |
| 1.50mm2   | 1.61+/-0.05 [.063+/-0.002] | 8.6                            |
| 1.00mm2   | 1.46+/-0.05 [.057+/-0.002] | 10.1                           |



- 1 RECOMMENDED SPARE PARTS
- 2 REFER TO SUPPLIED INSTRUCTION SHEET FOR CLEANING, LUBRICATION AND STORAGE OF APPLICATOR.
- 3 APPLY PART NUMBER 2-23419-6 LOCTITE TO THREADS OF ITEM 242.
- 4 CRIMP HEIGHT REFERENCE SETTING WAS THE SETTING USED WHEN THE APPLICATOR WAS QUALIFIED AT THE FACTORY. ADJUSTMENT MAY BE NECESSARY WHEN RUNNING APPLICATOR IN THE FIELD.
- 5. UNLESS SPECIFIED OTHERWISE TORQUE VALUES SHALL BE USED PER DOCUMENT, 101-35000.

**\*WARNING**  
ON INSTALLATION, SET WIRE DISC TO CRIMP HEIGHT REFERENCE SETTING FOR LARGEST WIRE SIZE. CRIMP HEIGHT REFERENCE SETTINGS GREATER THAN THE VALUE SHOWN MAY CAUSE DAMAGE TO THE CRIMP TOOLING, REFER TO THE INSTRUCTION SHEET FOR PROPER SETUP AND ADJUSTMENTS.

**ATLANTIC VERSION**  
Shown on sheets 1 of 4 & 2 of 4  
(Pacific version shown on sheets 3 of 4 & 4 of 4)

| LOC | DIST | REVISIONS |           |    |      |
|-----|------|-----------|-----------|----|------|
|     |      | REV       | DATE      | BY | APPV |
| A   | 66   | A         | 05MAR2018 | TB | CT   |
|     |      | B         | 28FEB2020 | FZ | TE   |

|   |     |     |     |     |             |                                     |                               |   |
|---|-----|-----|-----|-----|-------------|-------------------------------------|-------------------------------|---|
| - | 1   | -   | 1   | -   | 2119641-1   | FEED CAM, AIR FEED                  | 248                           |   |
| - | 1   | 1   | 1   | 1   | 2119082-7   | CAM, SNAIL, INSULATION ADJUSTMENT   | 244                           |   |
| - | 1   | 1   | 1   | 1   | 2079764-1   | WASHER, WAVE SPRING, CREST-TO-CREST | 243                           |   |
| - | 1   | 1   | 1   | 1   | 2119083-1   | RETAINER, INSULATION DIAL           | 242                           |   |
| - | 1   | 1   | 1   | 1   | 7-18023-7   | SCR, SKT HD CAP M3 X 4.0            | 241                           |   |
| - | -   | 1   | -   | 1   | 2119580-1   | MECHANICAL FEED ASSEMBLY            | 239                           |   |
| - | 1   | -   | 1   | -   | 2844940-1   | AIR FEED MODULE                     | 238                           |   |
| - | REF | REF | REF | REF | 994970-2    | COUNTER, MAGNETIC                   | 164                           |   |
| - | 1   | 1   | 1   | 1   | 2844908-1   | SCREW, LOCKING                      | 99                            |   |
| - | 1   | 1   | 1   | 1   | 2844907-1   | POST, LOCKING                       | 98                            |   |
| - | 1   | 1   | 1   | 1   | 455888-4    | SPACER, CRIMPER                     | 82                            |   |
| - | 1   | 1   | 1   | 1   | 1803607-3   | DOCUMENTATION PACKAGE               | 71                            |   |
| - | 1   | 1   | 1   | 1   | 2119740-1   | TAG, IDENTIFICATION                 | 67                            |   |
| - | 2   | 2   | 2   | 2   | 2168078-1   | SCREW, DRIVE, RH, RoHS, 2 x .188    | 66                            |   |
| - | 1   | 1   | 1   | 1   | 2168083-2   | SCR, SKT HD CAP, RoHS, M4 X 8.0     | 60                            |   |
| - | 1   | 1   | 1   | 1   | 5-18022-5   | SCR, HEX HD CAP, M4 X 6.0           | 59                            |   |
| - | 1   | 1   | 1   | 1   | 1338683-8   | FEED PAWL                           | 56                            |   |
| - | 4   | 4   | 4   | 4   | 2168083-3   | SCR, SKT HD CAP, RoHS, M4 X 12.0    | 54                            |   |
| - | 2   | 2   | 2   | 2   | 1-2168083-0 | SCR, SKT HD CAP, RoHS, M4 X 10      | 53                            |   |
| - | 1   | 1   | 1   | 1   | 1803382-6   | HOLD DOWN, SPRING LOADED            | 50                            |   |
| - | 1   | 2   | 1   | 2   | 18023-9     | SCR, SKT HD CAP M4 X 6.0            | 49                            |   |
| - | -   | 1   | -   | 1   | 2119652-1   | FEED CAM, PRE FEED                  | 48                            |   |
| - | -   | 1   | -   | 1   | 2119653-1   | FEED CAM, POST FEED                 | 47                            |   |
| - | 1   | 1   | 1   | 1   | 1803583-9   | APPLICATOR BASIC ASSEMBLY, SF       | 46                            |   |
| - | 1   | 1   | 1   | 1   | 1803515-1   | RAM ASSEMBLY, SF ATLANTIC           | 44                            |   |
| - | 1   | 1   | 1   | 1   | 1803602-1   | SCR, BHSC, RoHS (M8 X 25)           | 41                            |   |
| - | 1   | 1   | 1   | 1   | 3-1752356-3 | SUPPORT, TERMINAL                   | 34                            |   |
| - | 2   | 2   | 2   | 2   | 2079383-5   | SCR, BHSC, RoHS (M4 X 20)           | 33                            |   |
| - | 2   | 2   | 2   | 2   | 3-2844962-0 | SPACER, CYLINDRICAL, STRIP GUIDE    | 30                            |   |
| - | 1   | 1   | 1   | 1   | 2844992-1   | ASSEMBLY, STRIP GUIDE               | 29                            |   |
| - | 1   | 1   | 1   | 1   | 455888-3    | SPACER, CRIMPER                     | 28                            |   |
| - | 1   | 1   | 1   | 1   | 1320928-2   | STRIP GUIDE                         | 24                            |   |
| - | 1   | 1   | 1   | 1   | 2168083-2   | SCR, SKT HD CAP, RoHS, M4 X 8.0     | 21                            |   |
| - | 2   | 2   | 2   | 2   | 1-18028-2   | WASHER, FLAT, REG M4                | 20                            |   |
| - | 1   | 1   | 1   | 1   | 2119533-1   | STRIPPER, SIDE FEED                 | 19                            |   |
| - | 1   | 1   | 1   | 1   | 2119806-1   | INSERT, SHEAR                       | 13                            |   |
| - | 1   | 1   | 1   | 1   | 3-22280-3   | SPRING, COMPRESSION                 | 12                            |   |
| - | 1   | 1   | 1   | 1   | 1-356885-4  | STOP, SHEAR                         | 11                            |   |
| - | 1   | 1   | 1   | 1   | 2119805-1   | SHEAR HOLDER, FRONT                 | 10                            |   |
| - | 1   | 1   | 1   | 1   | 1803095-6   | FLOATING SHEAR, FRONT               | 9                             |   |
| - | 1   | 2   | 2   | 1   | 1           | 3-1803554-1                         | ANVIL, COMBINATION            | 8 |
| - | -   | -   | -   | -   | -           | -                                   | 7                             |   |
| - | -   | -   | -   | -   | -           | -                                   | 6                             |   |
| - | 1   | 1   | 1   | 1   | 1-2119757-0 | DEPRESSOR, SHEAR                    | 5                             |   |
| - | 1   | 1   | 1   | 1   | 238011-2    | BLOCK, CRIMPER SPACER               | 4                             |   |
| - | 1   | 2   | 2   | 1   | 1           | 4-1803223-6                         | CRIMPER, INSULATION F PREMIUM | 3 |
| - | 1   | 1   | 1   | 1   | 455888-1    | SPACER, CRIMPER                     | 2                             |   |
| - | 1   | 2   | 2   | 1   | 1           | 1803224-2                           | CRIMPER, WIRE                 | 1 |
| - | 77  | 72  | 71  | -2  | -1          | PART NO                             | ITEM NO                       |   |

| DIMENSIONS: |         | TOLERANCES UNLESS OTHERWISE SPECIFIED: |         | APPROVED: |         | NAME:  |       |
|-------------|---------|----------------------------------------|---------|-----------|---------|--------|-------|
| mm          | 0 PLC ± | 1 PLC ±                                | 2 PLC ± | 3 PLC ±   | 4 PLC ± | FINISH | SCALE |
|             |         |                                        |         |           |         |        | 1:2   |
| MATERIAL    |         |                                        |         | WEIGHT    |         | SCALE  |       |
|             |         |                                        |         |           |         | 1:2    |       |



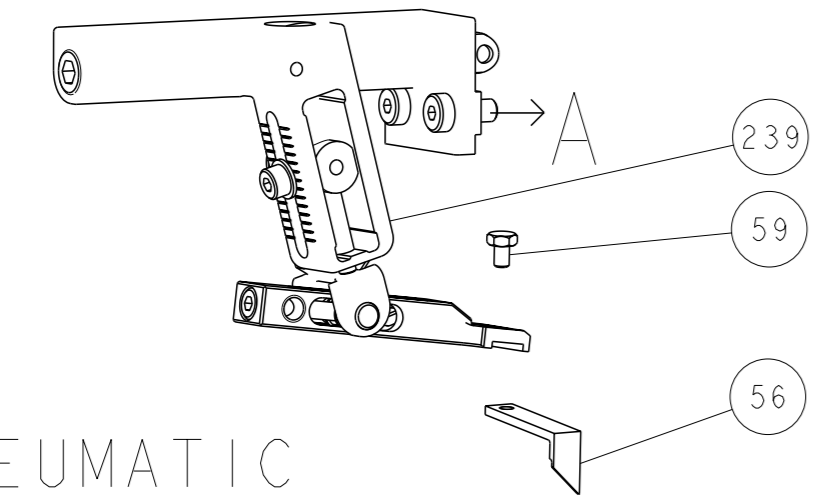
Ocean Side Feed Applicator

SIZE: A1 CAGE CODE: 00779 DRAWING NO: 2837084

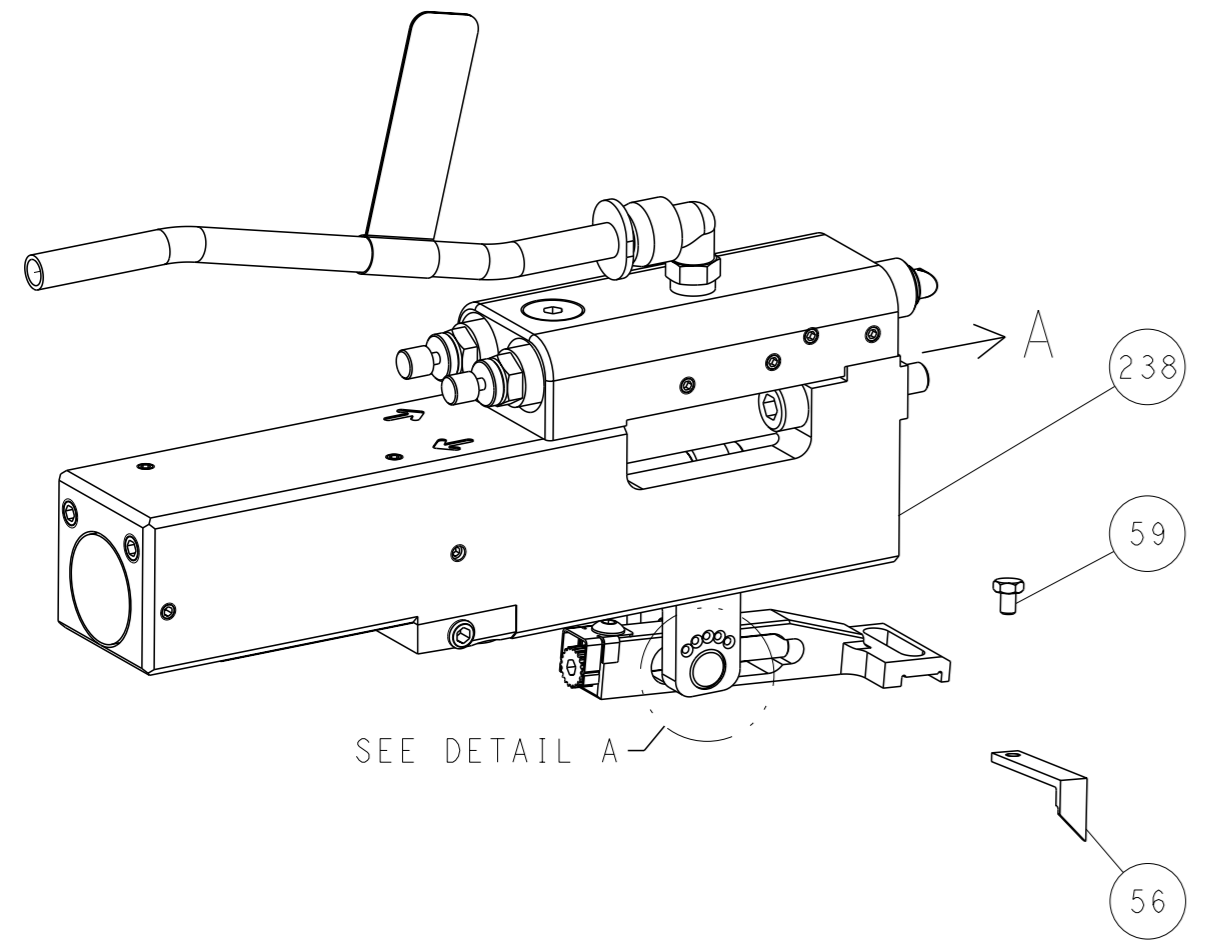
Customer Accessible Production Drawing SHEET 1 OF 4 REV B

| LOC | DIST | REVISIONS   |      |     |      |
|-----|------|-------------|------|-----|------|
| A   | 66   | REV         | DATE | OWN | APVD |
| -   | -    | SEE SHEET 1 | -    | -   | -    |

# FEED TYPE MECHANICAL



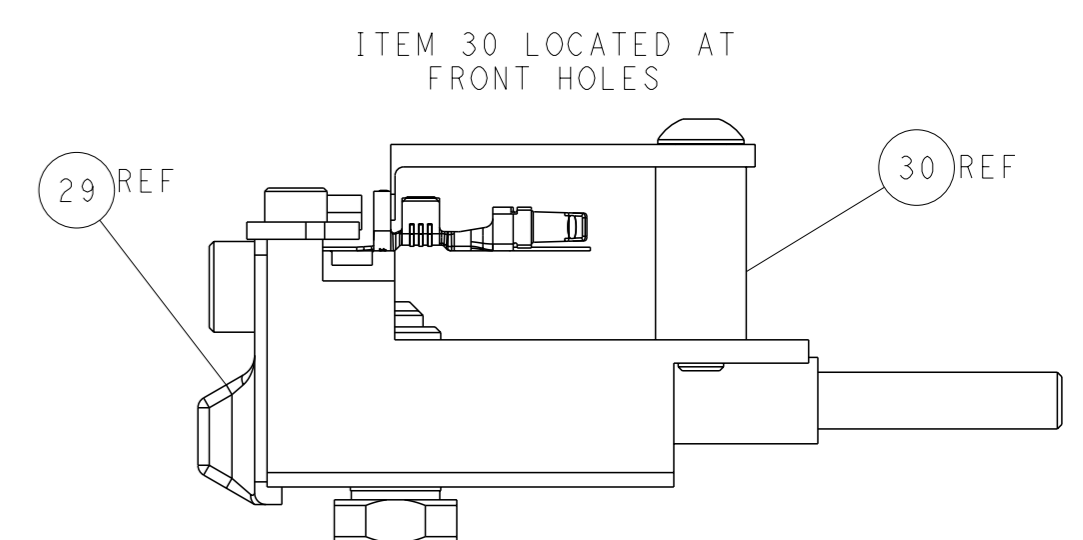
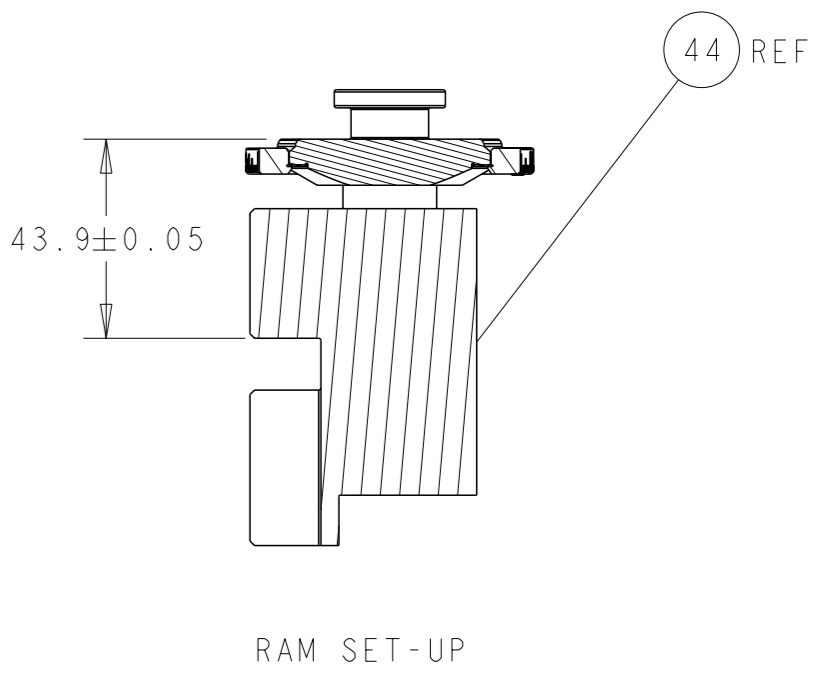
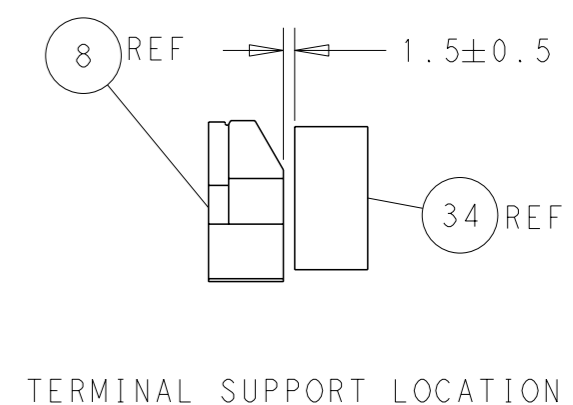
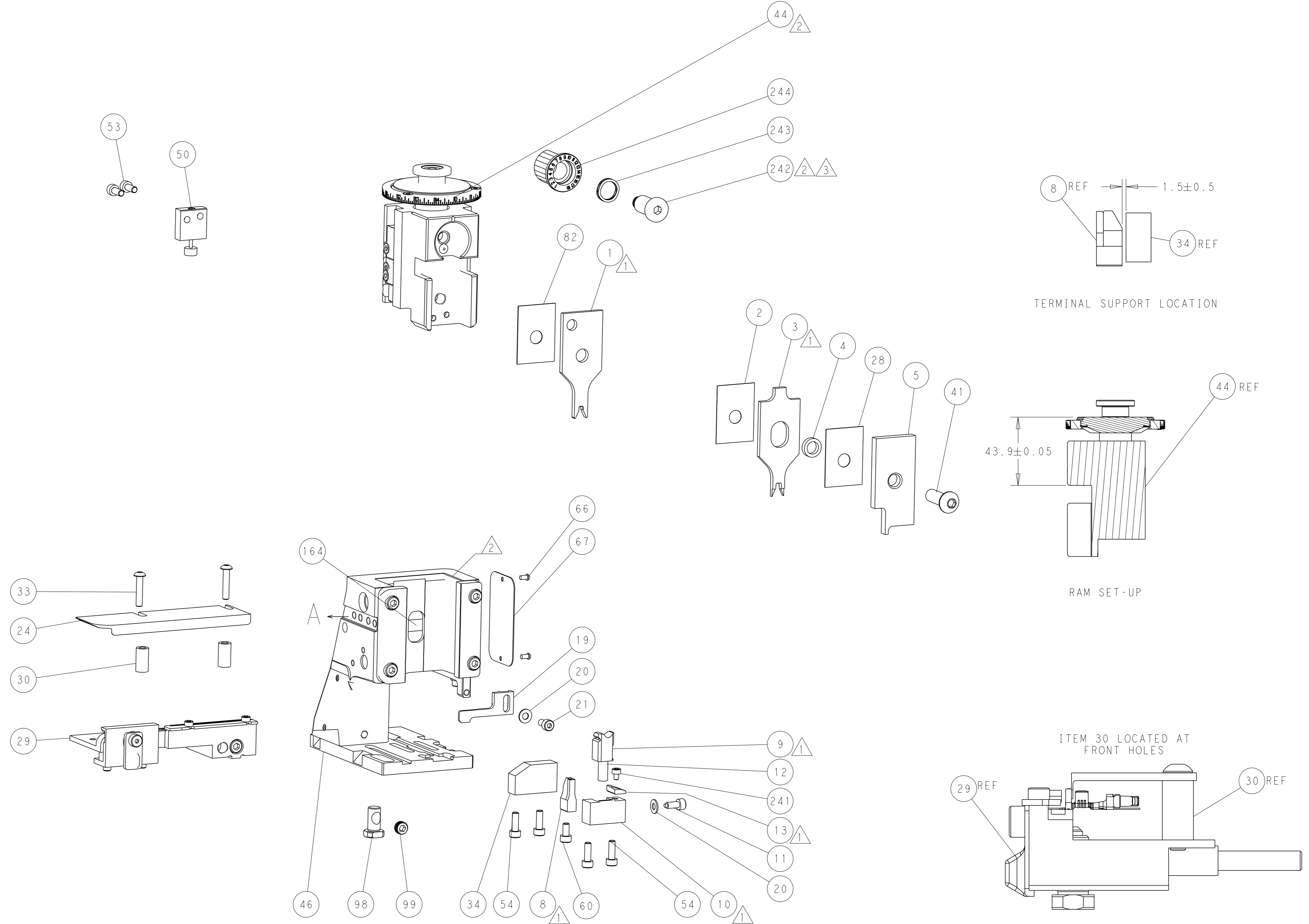
## PNEUMATIC



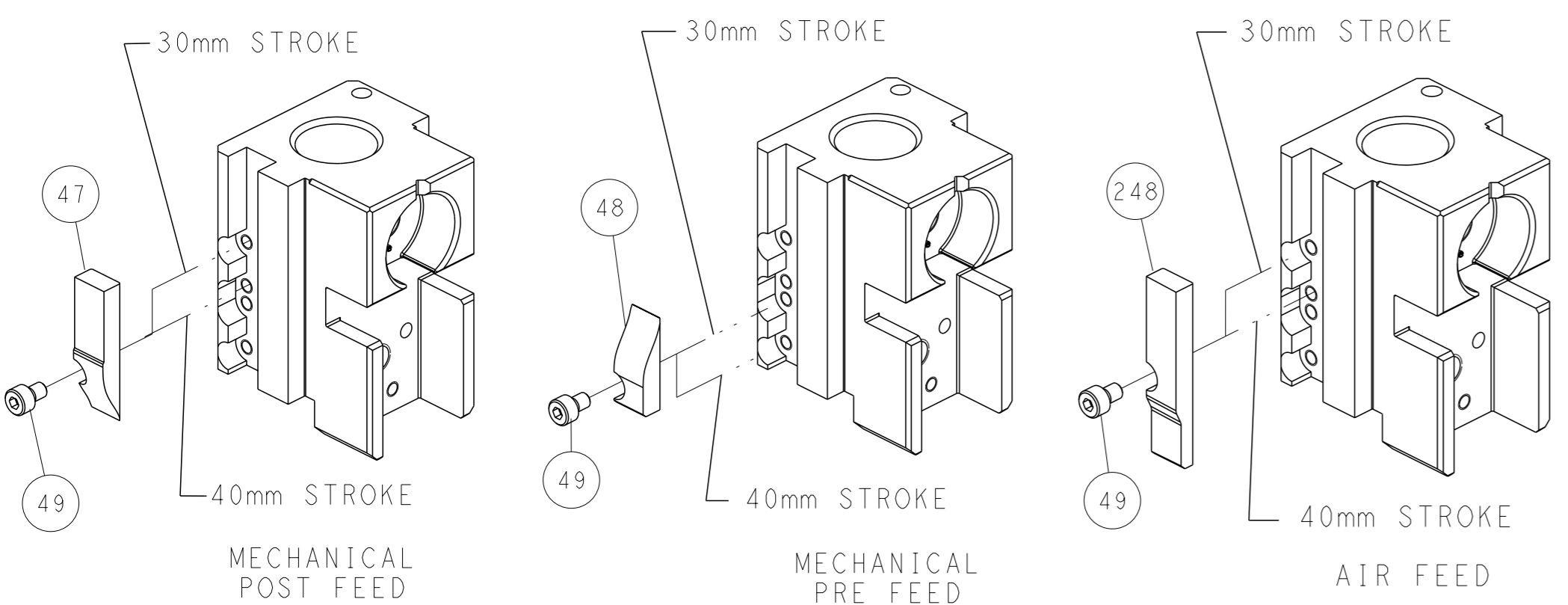
## FEED SPRING SETTING POSITION (SHOWN FROM REAR SIDE)



DETAIL A



# CAM POSITIONS

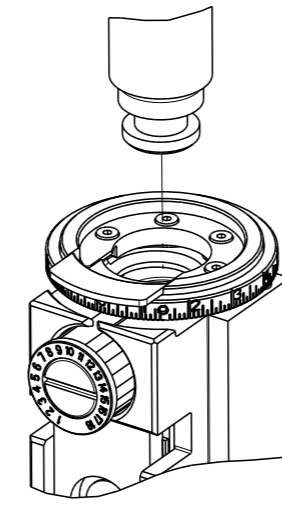


**ATLANTIC VERSION**  
 Shown on sheets 1 of 4 & 2 of 4  
 (Pacific version shown on sheets 3 of 4 & 4 of 4)

|                                                                                                                                                                                                          |  |                                                                                                                                                          |                                               |
|----------------------------------------------------------------------------------------------------------------------------------------------------------------------------------------------------------|--|----------------------------------------------------------------------------------------------------------------------------------------------------------|-----------------------------------------------|
| <small>THIS DRAWING IS A CONTROLLED DOCUMENT FOR TYCO ELECTRONICS CORPORATION. IT IS SUBJECT TO CHANGE AND THE CONTROL AND ENGINEERING ORGANIZATION SHOULD BE CONTACTED FOR THE LATEST REVISION.</small> |  | DWN T. BROOKS 23JAN2018<br>CHK M. HERR 23JAN2018<br>APVD J. ELBIN 23JAN2018                                                                              | TE Connectivity<br>Harrisburg, PA 17105-3608  |
| DIMENSIONS: mm<br>TOLERANCES UNLESS OTHERWISE SPECIFIED:<br>0 PLC ±<br>1 PLC ±<br>2 PLC ±<br>3 PLC ±<br>4 PLC ±<br>ANGLES FINISH ±                                                                       |  | NAME Ocean Side Feed Applicator<br>APPLICATION SPEC<br>SIZE CAGE CODE DRAWING NO. A1 00779 C=2837084<br>WEIGHT<br>Customer Accessible Production Drawing | RESTRICTED TO<br>SCALE 1:2 SHEET 2 of 4 REV B |

| THIS DRAWING IS UNPUBLISHED.                                       | RELEASED FOR PUBLICATION | 20                       |            |
|--------------------------------------------------------------------|--------------------------|--------------------------|------------|
| COPYRIGHT 20 BY TYCO ELECTRONICS CORPORATION. ALL RIGHTS RESERVED. |                          |                          |            |
| PART NUMBER                                                        | REVISION                 | DESCRIPTION              | FEED TYPE  |
| 2-2837084-1                                                        | B                        | FINE CRIMP HEIGHT ADJUST | MECHANICAL |
| 2-2837084-2                                                        | B                        | FINE CRIMP HEIGHT ADJUST | PNEUMATIC  |
| 7-2837084-7                                                        | A                        | CRIMP TOOLING KIT        | -          |

PACIFIC VERSION TERMINATOR INTERFACE ADAPTER



| APPLICATOR DATA                   |                |      |
|-----------------------------------|----------------|------|
| CRIMP                             | SIZE           | TYPE |
| WIRE                              | 2.79 mm [.110] | F    |
| INSUL                             | 3.94 mm [.155] | F    |
| APPLICATOR INSTRUCTIONS 408-35042 |                |      |

|                                                       |             |                                                                    |             |
|-------------------------------------------------------|-------------|--------------------------------------------------------------------|-------------|
| TERMINAL DATA: TE TERMINAL                            |             | TE CRIMP SPECIFICATION                                             |             |
| TERMINAL NAME: JUNIOR POWER TIMER LAYOUT WITH BARRIER |             |                                                                    |             |
| WIRE STRIP LENGTH<br>4.50-5.50 mm [.177-.217 IN]      |             | TERMINAL INSULATION DIAMETER RANGE<br>Ø2.63-3.50 mm [.103-.138 IN] |             |
| TERMINAL APPLICATION SPECIFICATION                    | 114-15051   | -                                                                  | -           |
| TERMINALS APPLIED                                     |             |                                                                    |             |
| TE TERMINAL                                           | TE TERMINAL | TE TERMINAL                                                        | TE TERMINAL |
| 144432-1                                              | 144432-2    | 144432-3                                                           |             |

| WIRE SIZE | CRIMP HEIGHT mm [INCH]     | CRIMP HEIGHT REFERENCE SETTING |
|-----------|----------------------------|--------------------------------|
| 3.00mm2   | 2.05+/-0.05 [.081+/-0.002] | 4.0                            |
| 2.50mm2   | 1.90+/-0.05 [.075+/-0.002] | 5.4                            |
| 2.00mm2   | 1.76+/-0.05 [.069+/-0.002] | 7.0                            |
| 1.50mm2   | 1.61+/-0.05 [.063+/-0.002] | 8.6                            |
| 1.00mm2   | 1.46+/-0.05 [.057+/-0.002] | 10.1                           |



- 1 RECOMMENDED SPARE PARTS
  - 2 REFER TO SUPPLIED INSTRUCTION SHEET FOR CLEANING, LUBRICATION AND STORAGE OF APPLICATOR.
  - 3 APPLY PART NUMBER 2-23419-6 LOCTITE TO THREADS OF ITEM 242.
  - 4 CRIMP HEIGHT REFERENCE SETTING WAS THE SETTING USED WHEN THE APPLICATOR WAS QUALIFIED AT THE FACTORY. ADJUSTMENT MAY BE NECESSARY WHEN RUNNING APPLICATOR IN THE FIELD.
5. UNLESS SPECIFIED OTHERWISE TORQUE VALUES SHALL BE USED PER DOCUMENT, 101-35000.

**\*WARNING**  
ON INSTALLATION, SET WIRE DISC TO CRIMP HEIGHT REFERENCE SETTING FOR LARGEST WIRE SIZE. CRIMP HEIGHT REFERENCE SETTINGS GREATER THAN THE VALUE SHOWN MAY CAUSE DAMAGE TO THE CRIMP TOOLING, REFER TO THE INSTRUCTION SHEET FOR PROPER SETUP AND ADJUSTMENTS.

**PACIFIC VERSION**  
Shown on sheets 3 of 4 & 4 of 4  
(Atlantic version shown on sheets 1 of 4 & 2 of 4)

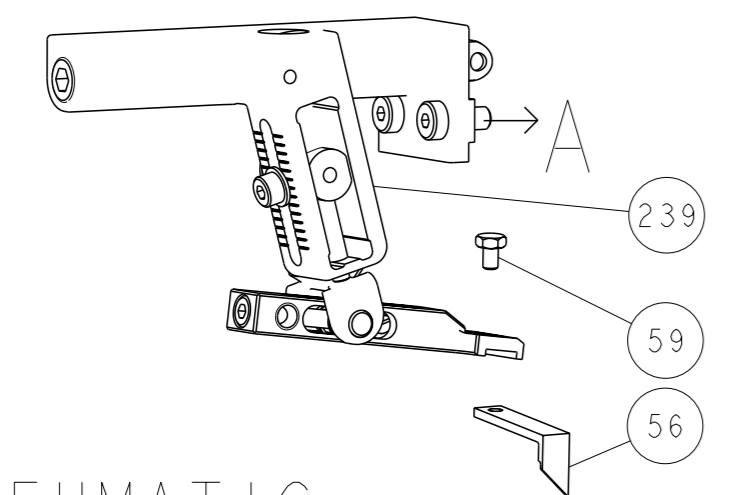
| LOC | DIST | REV | DATE | BY | APPV |
|-----|------|-----|------|----|------|
| A   | 66   |     |      |    |      |

| REV | DATE | BY  | APPV | DESCRIPTION                                   | ITEM NO |
|-----|------|-----|------|-----------------------------------------------|---------|
| -   | 1    | 1   |      | 2119082-7 CAM, SNAIL, INSULATION ADJUSTMENT   | 244     |
| -   | 1    | 1   |      | 2079764-1 WASHER, WAVE SPRING, CREST-TO-CREST | 243     |
| 3   | 1    | 1   |      | 2119083-1 RETAINER, INSULATION DIAL           | 242     |
| -   | 1    | 1   |      | 7-18023-7 SCR, SKT HD CAP M3 X 4.0            | 241     |
| -   | -    | 1   |      | 2119580-1 MECHANICAL FEED ASSEMBLY            | 239     |
| -   | 1    | -   |      | 2844940-1 AIR FEED MODULE                     | 238     |
| -   | REF  | REF |      | 994970-2 COUNTER, MAGNETIC                    | 164     |
| -   | 1    | -   |      | 2119641-2 FEED CAM, AIR FEED                  | 151     |
| -   | 1    | 1   |      | 2168083-8 SCR, SKT HD CAP, RoHS, M4 X 16      | 144     |
| -   | 4    | 4   |      | 2168083-9 SCR, SKT HD CAP, RoHS, M4 X 20      | 143     |
| -   | -    | 1   |      | 2119653-2 FEED CAM, POST FEED                 | 142     |
| -   | 1    | 1   |      | 1-1803583-0 APPLICATOR BASIC ASSEMBLY, SF     | 141     |
| -   | 1    | 1   |      | 1803516-1 RAM ASSEMBLY, SF PACIFIC            | 140     |
| -   | 1    | 1   |      | 2844908-1 SCREW, LOCKING                      | 99      |
| -   | 1    | 1   |      | 2844907-1 POST, LOCKING                       | 98      |
| -   | 1    | 1   |      | 455888-4 SPACER, CRIMPER                      | 82      |
| -   | 1    | 1   |      | 1803607-3 DOCUMENTATION PACKAGE               | 71      |
| -   | 1    | 1   |      | 2119740-1 TAG, IDENTIFICATION                 | 67      |
| -   | 2    | 2   |      | 2168078-1 SCREW, DRIVE, RH, RoHS, 2 x .188    | 66      |
| -   | 1    | 1   |      | 5-18022-5 SCR, HEX HD CAP, M4 X 6.0           | 59      |
| -   | 1    | 1   |      | 1338683-8 FEED PAWL                           | 56      |
| -   | 2    | 2   |      | 1-2168083-0 SCR, SKT HD CAP, RoHS, M4 X 10    | 53      |
| -   | 1    | 1   |      | 1803382-6 HOLD DOWN, SPRING LOADED            | 50      |
| -   | 1    | 2   |      | 18023-9 SCR, SKT HD CAP M4 X 6.0              | 49      |
| -   | -    | 1   |      | 2119652-1 FEED CAM, PRE FEED                  | 48      |
| -   | 1    | 1   |      | 1803602-1 SCR, BHSC, RoHS (M8 X 25)           | 41      |
| -   | 1    | 1   |      | 3-1752356-3 SUPPORT, TERMINAL                 | 34      |
| -   | 2    | 2   |      | 2079383-5 SCR, BHSC, RoHS (M4 X 20)           | 33      |
| -   | 2    | 2   |      | 3-2844962-0 SPACER, CYLINDRICAL, STRIP GUIDE  | 30      |
| -   | 1    | 1   |      | 2844992-1 ASSEMBLY, STRIP GUIDE               | 29      |
| -   | 1    | 1   |      | 455888-3 SPACER, CRIMPER                      | 28      |
| -   | 1    | 1   |      | 1320928-2 STRIP GUIDE                         | 24      |
| -   | 1    | 1   |      | 2168083-2 SCR, SKT HD CAP, RoHS, M4 X 8.0     | 21      |
| -   | 2    | 2   |      | 1-18028-2 WASHER, FLAT, REG M4                | 20      |
| -   | 1    | 1   |      | 2119533-1 STRIPPER, SIDE FEED                 | 19      |
| 1   | 1    | 1   |      | 2119806-1 INSERT, SHEAR                       | 13      |
| -   | 1    | 1   |      | 3-22280-3 SPRING, COMPRESSION                 | 12      |
| -   | 1    | 1   |      | 1-356885-4 STOP, SHEAR                        | 11      |
| 1   | 1    | 1   |      | 2119805-1 SHEAR HOLDER, FRONT                 | 10      |
| 1   | 1    | 1   |      | 1803095-6 FLOATING SHEAR, FRONT               | 9       |
| 1   | 1    | 1   |      | 3-1803554-1 ANVIL, COMBINATION                | 8       |
| -   | -    | -   |      | -                                             | 7       |
| -   | -    | -   |      | -                                             | 6       |
| -   | 1    | 1   |      | 1-2119757-0 DEPRESSOR, SHEAR                  | 5       |
| -   | 1    | 1   |      | 238011-2 BLOCK, CRIMPER SPACER                | 4       |
| 1   | 1    | 1   |      | 4-1803223-6 CRIMPER, INSULATION F PREMIUM     | 3       |
| -   | 1    | 1   |      | 455888-1 SPACER, CRIMPER                      | 2       |
| 1   | 1    | 1   |      | 1803224-2 CRIMPER, WIRE                       | 1       |
| -   | 77   | 22  | 21   | PART NO                                       |         |
| -   | -    | -   | -    | DESCRIPTION                                   |         |
| -   | -    | -   | -    | ITEM NO                                       |         |

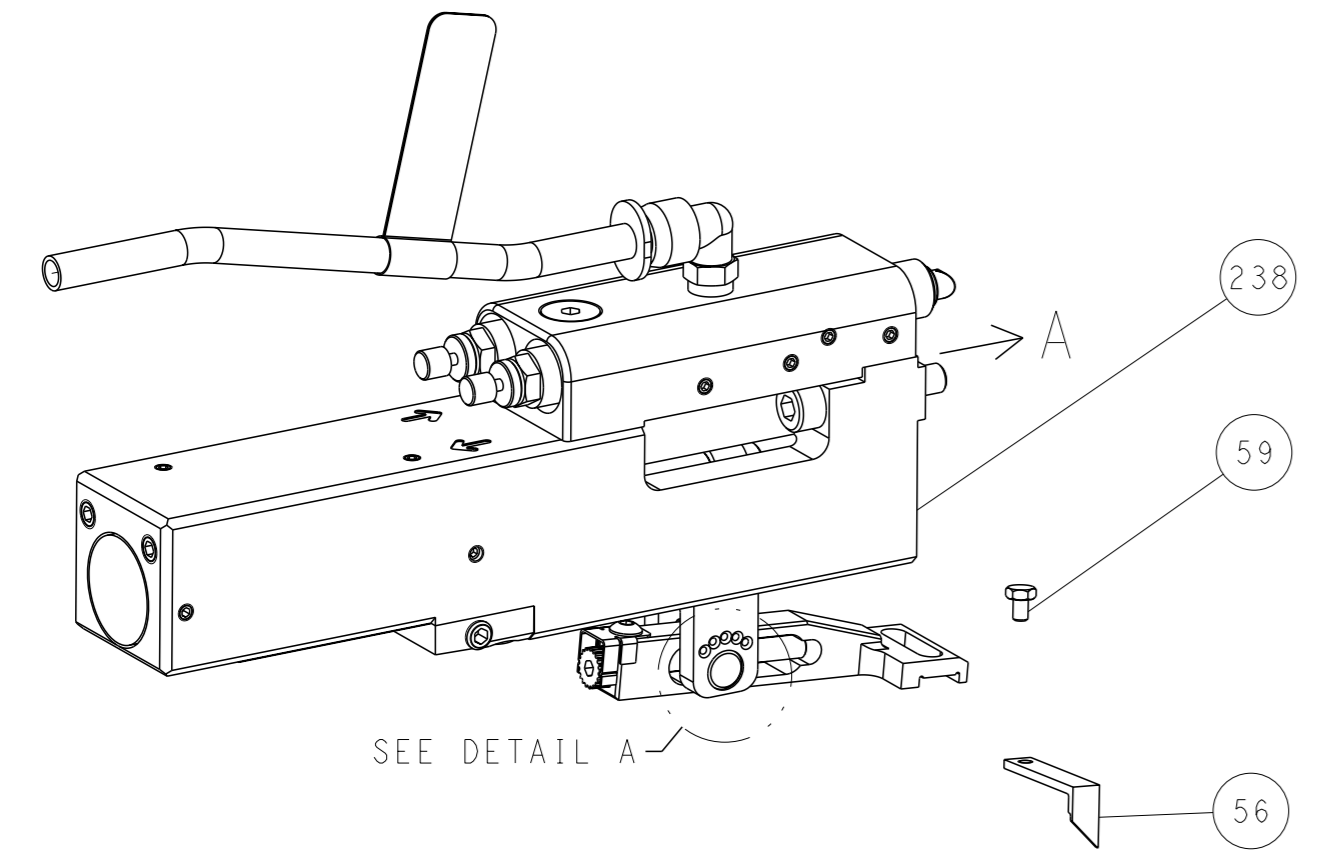
|                                                                                                                                                                                |                                                                                                                  |                                                                                    |                                                                                      |
|--------------------------------------------------------------------------------------------------------------------------------------------------------------------------------|------------------------------------------------------------------------------------------------------------------|------------------------------------------------------------------------------------|--------------------------------------------------------------------------------------|
| <small>THE DRAWING IS UNPUBLISHED. IT IS SUBJECT TO CHANGE AND THE USER SHALL BE RESPONSIBLE FOR VERIFYING THE DIMENSIONS SHOULD BE CONTACTED FOR THE LATEST REVISION.</small> |                                                                                                                  | DWN T. BROOKENS 23JAN2018<br>CHK M. HERR 23JAN2018<br>APVD J. ELBIN 23JAN2018      | <b>STE</b> TE Connectivity<br>Harrisburg, PA 17105-3608                              |
| DIMENSIONS:<br>mm<br>                                                                                                                                                          | TOLERANCES UNLESS OTHERWISE SPECIFIED:<br>0 PLC ±<br>1 PLC ±<br>2 PLC ±<br>3 PLC ±<br>4 PLC ±<br>ANGLES FINISH ± | NAME Ocean Side Feed Applicator<br>SIZE CAGE CODE DRAWING NO<br>A1 00779 C=2837084 | RESTRICTED TO<br>Customer Accessible Production Drawing SCALE 1:2 SHEET 3 of 4 REV B |

| LOC |    | DIST |     | REVISIONS   |      |     |      |
|-----|----|------|-----|-------------|------|-----|------|
| A   | 66 | P    | LYR | DESCRIPTION | DATE | OWN | APVD |
|     |    | -    |     | SEE SHEET 1 | -    | -   | -    |

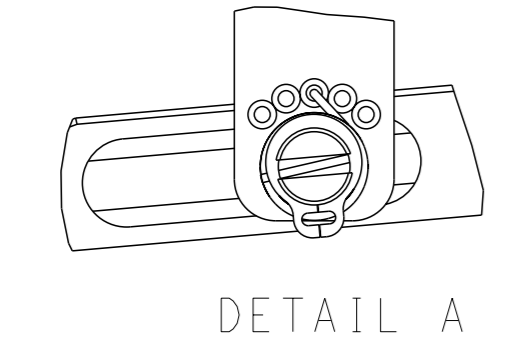
# FEED TYPE MECHANICAL



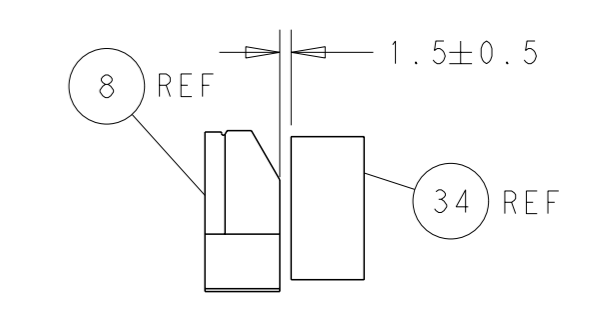
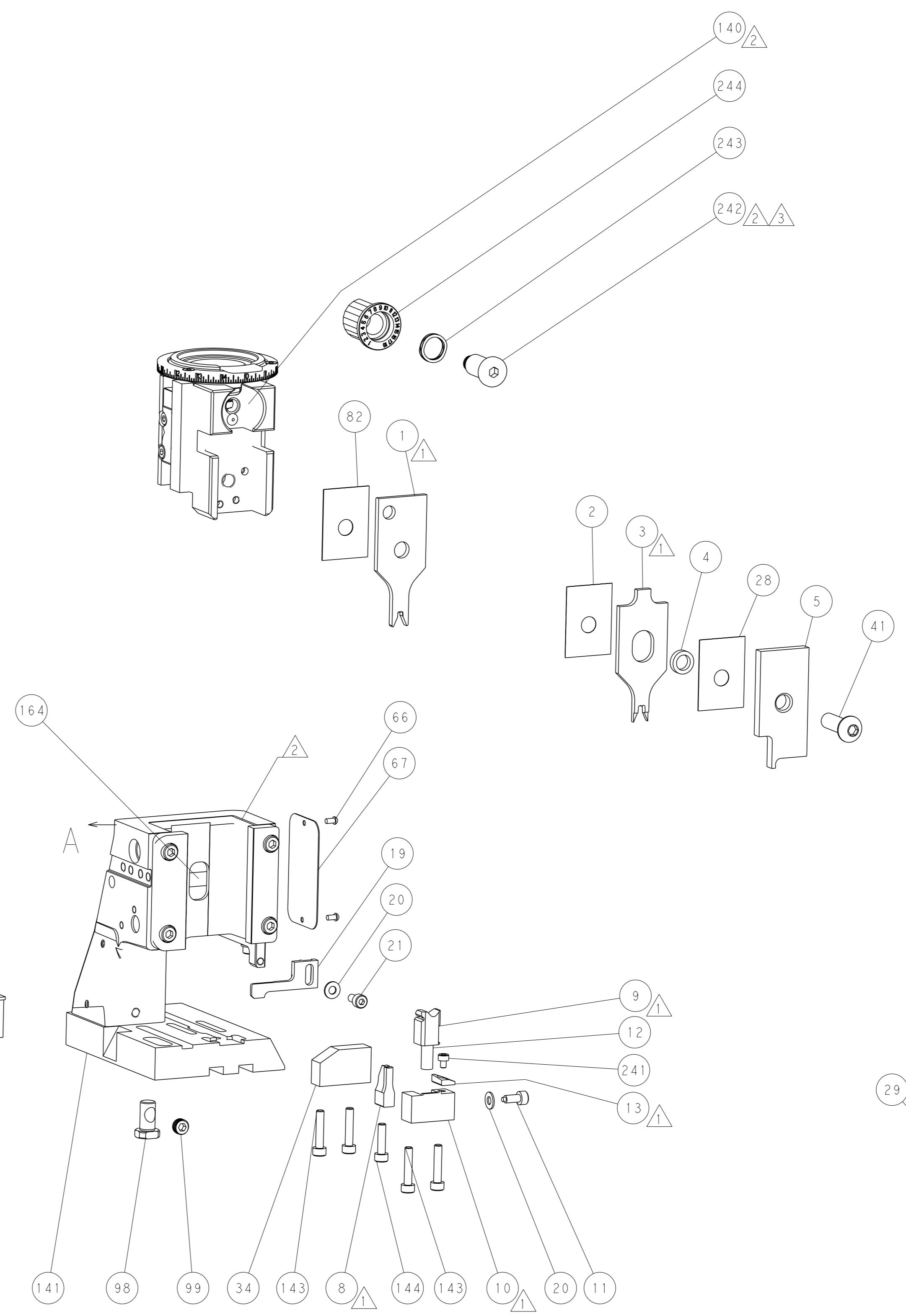
## PNEUMATIC



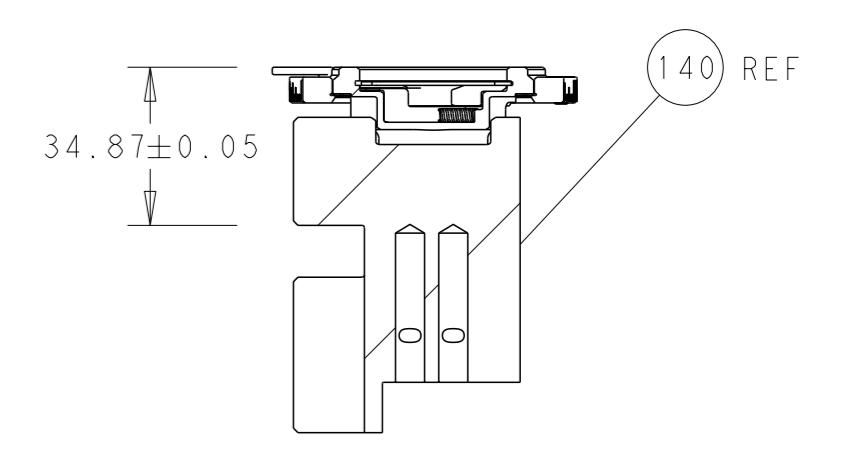
### FEED SPRING SETTING POSITION (SHOWN FROM REAR SIDE)



DETAIL A

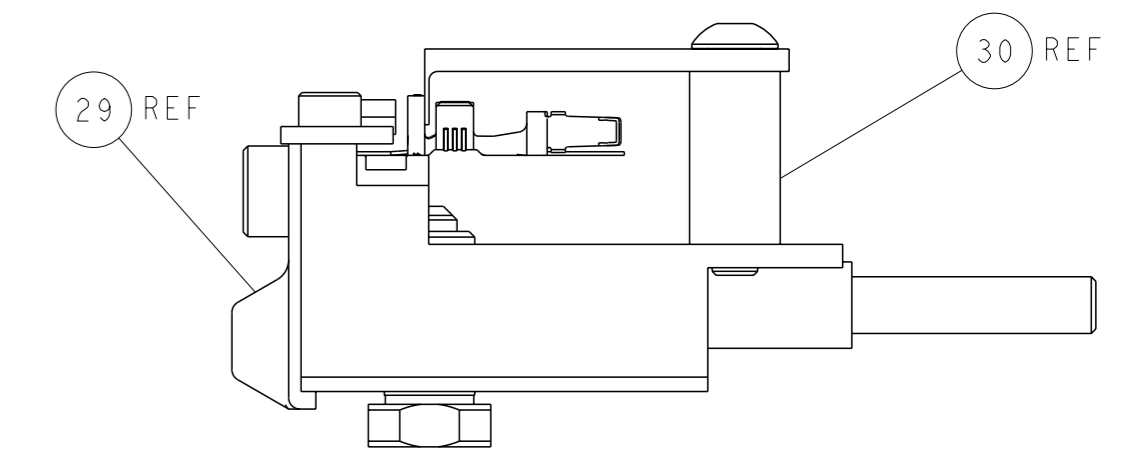


TERMINAL SUPPORT LOCATION



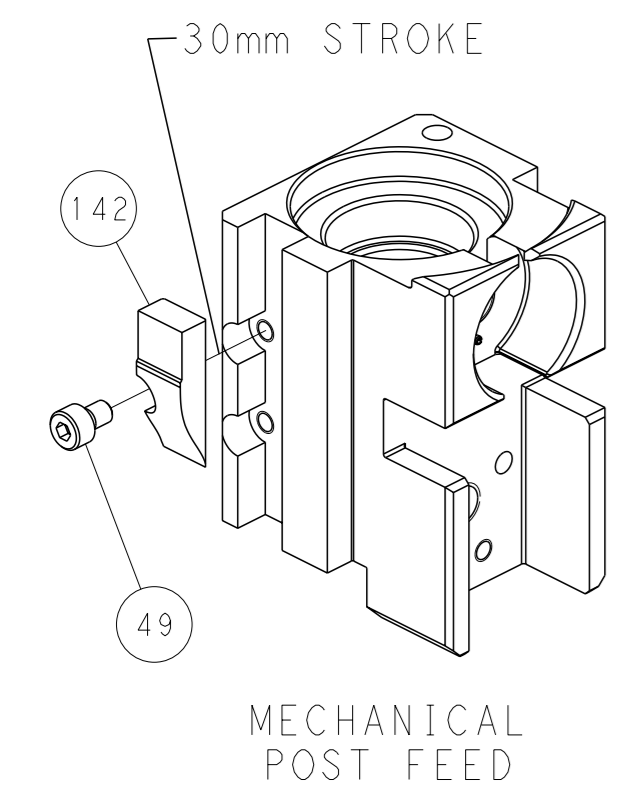
RAM SET-UP

ITEM 30 LOCATED AT FRONT HOLES

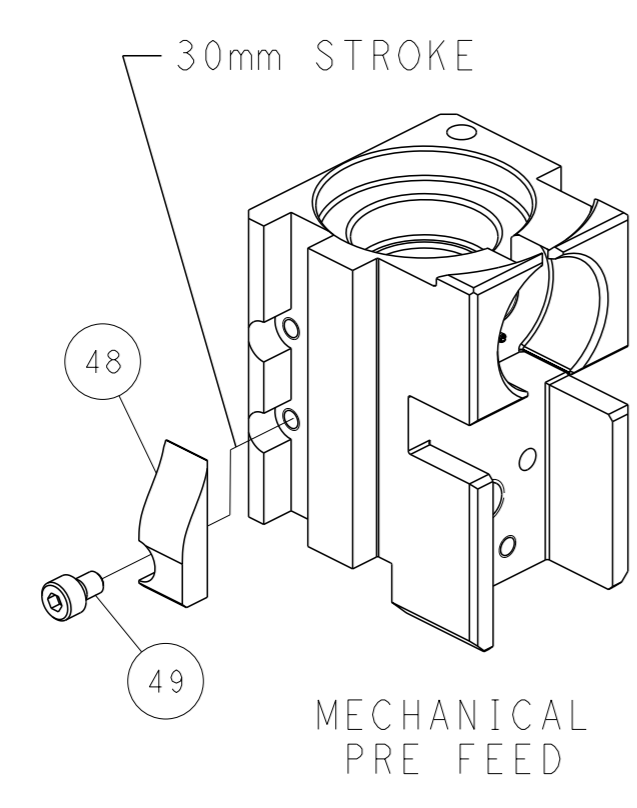


FEED TRACK POSITION GUIDE BY INSULATION BARREL

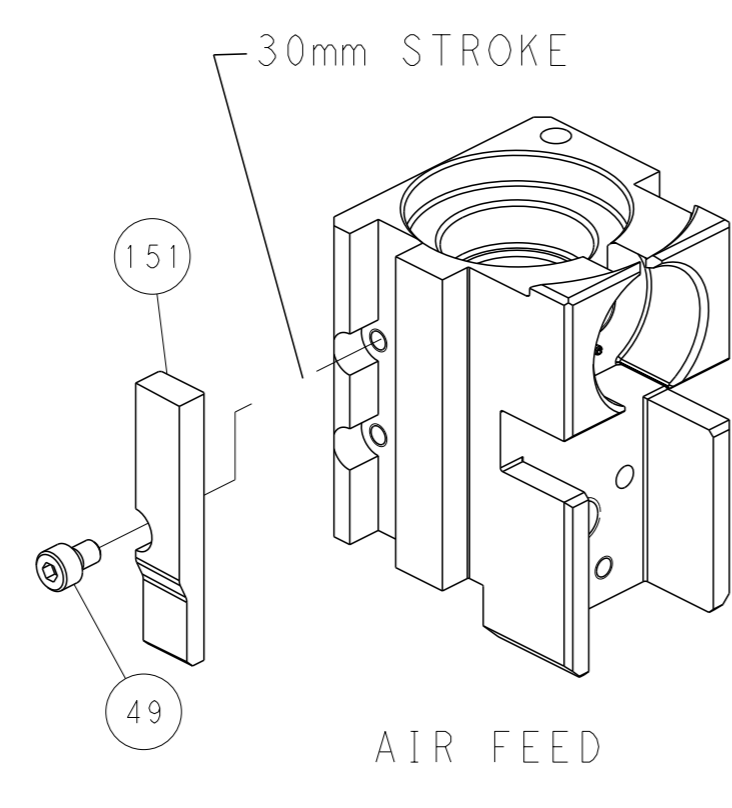
## CAM POSITIONS



MECHANICAL POST FEED



MECHANICAL PRE FEED



AIR FEED

**PACIFIC VERSION**  
 Shown on sheets 3 of 4 & 4 of 4  
 (Atlantic version shown on sheets 1 of 4 & 2 of 4)

|                                                                                                                                                                                                         |                                                                                                                  |                                                                             |                                                 |
|---------------------------------------------------------------------------------------------------------------------------------------------------------------------------------------------------------|------------------------------------------------------------------------------------------------------------------|-----------------------------------------------------------------------------|-------------------------------------------------|
| <small>THIS DRAWING IS A CONTROLLED DOCUMENT FOR TYCO ELECTRONICS CORPORATION. IT IS SUBJECT TO CHANGE AND THE CONTROLLER ENGINEERING ORGANIZATION SHOULD BE CONTACTED FOR THE LATEST REVISION.</small> |                                                                                                                  | DWN T. BROOKS 23JAN2018<br>CHK M. HERR 23JAN2018<br>APVD T. ELBIN 23JAN2018 | TE Connectivity<br>Harrisburg, PA 17105-3608    |
| DIMENSIONS:<br>mm<br>                                                                                                                                                                                   | TOLERANCES UNLESS OTHERWISE SPECIFIED:<br>0 PLC ±<br>1 PLC ±<br>2 PLC ±<br>3 PLC ±<br>4 PLC ±<br>ANGLES FINISH ± | NAME<br>Ocean Side Feed Applicator                                          | RESTRICTED TO                                   |
| MATERIAL                                                                                                                                                                                                | FINISH                                                                                                           | WEIGHT<br>SCALE 1:2<br>SHEET 4 of 4<br>REV B                                | SIZE CAGE CODE DRAWING NO<br>A1 00779 C=2837084 |
| Customer Accessible Production Drawing                                                                                                                                                                  |                                                                                                                  | Customer Accessible Production Drawing                                      |                                                 |