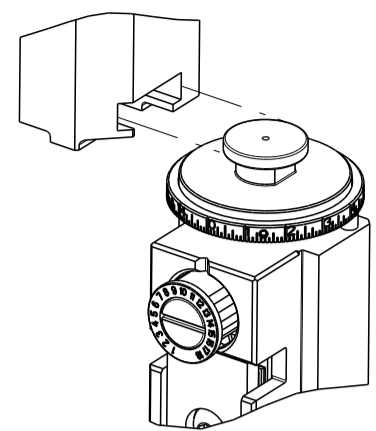


PART NUMBER	REVISION	DESCRIPTION	FEED TYPE
2837458-2	C	FINE CRIMP HEIGHT ADJUST	PNEUMATIC
7-2837458-2	C	PNEUMATIC AND CRIMP TOOLING KIT	PNEUMATIC
7-2837458-7	A	CRIMP TOOLING KIT	-

ATLANTIC VERSION TERMINATOR INTERFACE ADAPTER

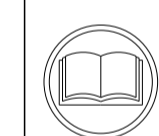


APPLICATOR DATA		
CRIMP	SIZE	TYPE
WIRE	1.15 mm [.045]	F
INSUL	1.40 mm [.055]	F

APPLICATOR INSTRUCTIONS 408-35042

TERMINAL DATA: JST TERMINAL		JST CRIMP SPECIFICATION	
TERMINAL NAME: TERMINAL FEMALE .050			
WIRE STRIP LENGTH		TERMINAL INSULATION DIAMETER RANGE	
3.00-4.00 mm [.118-.157 IN]		∅1.20-1.30 mm [.047-.051 IN]	
TERMINAL APPLICATION SPECIFICATION	CHM-J-SPAH01 Rev R1		
TERMINALS APPLIED			
TE TERMINAL	JST TERMINAL	TE TERMINAL	JST TERMINAL
3311354-1	SPAH-A011T-K050	3311354-2	SPAH-A011GF-K050

WIRE SIZE	CRIMP HEIGHT mm [INCH]	CRIMP HEIGHT REFERENCE SETTING
0.35mm2	0.85 +/- 0.03 [.033 +/- .001]	7.9
0.22mm2	0.80 +/- 0.03 [.031 +/- .001]	8.4



- 1 RECOMMENDED SPARE PARTS
- 2 REFER TO SUPPLIED INSTRUCTION SHEET FOR CLEANING, LUBRICATION AND STORAGE OF APPLICATOR.
- 3 APPLY PART NUMBER 2-23419-6 LOCTITE TO THREADS OF ITEM 242.
- 4 CRIMP HEIGHT REFERENCE SETTING WAS THE SETTING USED WHEN THE APPLICATOR WAS QUALIFIED AT THE FACTORY. ADJUSTMENT MAY BE NECESSARY WHEN RUNNING APPLICATOR IN THE FIELD.
- 5 TERMINAL LUBRICANT IS RECOMMENDED.
- 6 UNLESS SPECIFIED OTHERWISE TORQUE VALUES SHALL BE USED PER DOCUMENT, 101-35000.
- 7 TERMINAL PITCH NOT COMPATIBLE WITH MECHANICAL FEED.

***WARNING**
 ON INSTALLATION, SET WIRE DISC TO CRIMP HEIGHT REFERENCE SETTING FOR LARGEST WIRE SIZE. CRIMP HEIGHT REFERENCE SETTINGS GREATER THAN THE VALUE SHOWN MAY CAUSE DAMAGE TO THE CRIMP TOOLING. REFER TO THE INSTRUCTION SHEET FOR PROPER SETUP AND ADJUSTMENTS.

LOC	DIST	REVISIONS					
A	66	P	LTN	DESCRIPTION	DATE	OWN	APVD
		1		DEVELOPMENT	26OCT2018	MZ	KZ
		A		RELEASED	07DEC2018	TB	TE
		B		ECR-19-002143	10FEB2019	TB	CT
		C		ECR-23-174765	09MAY2023	ROY	TJM

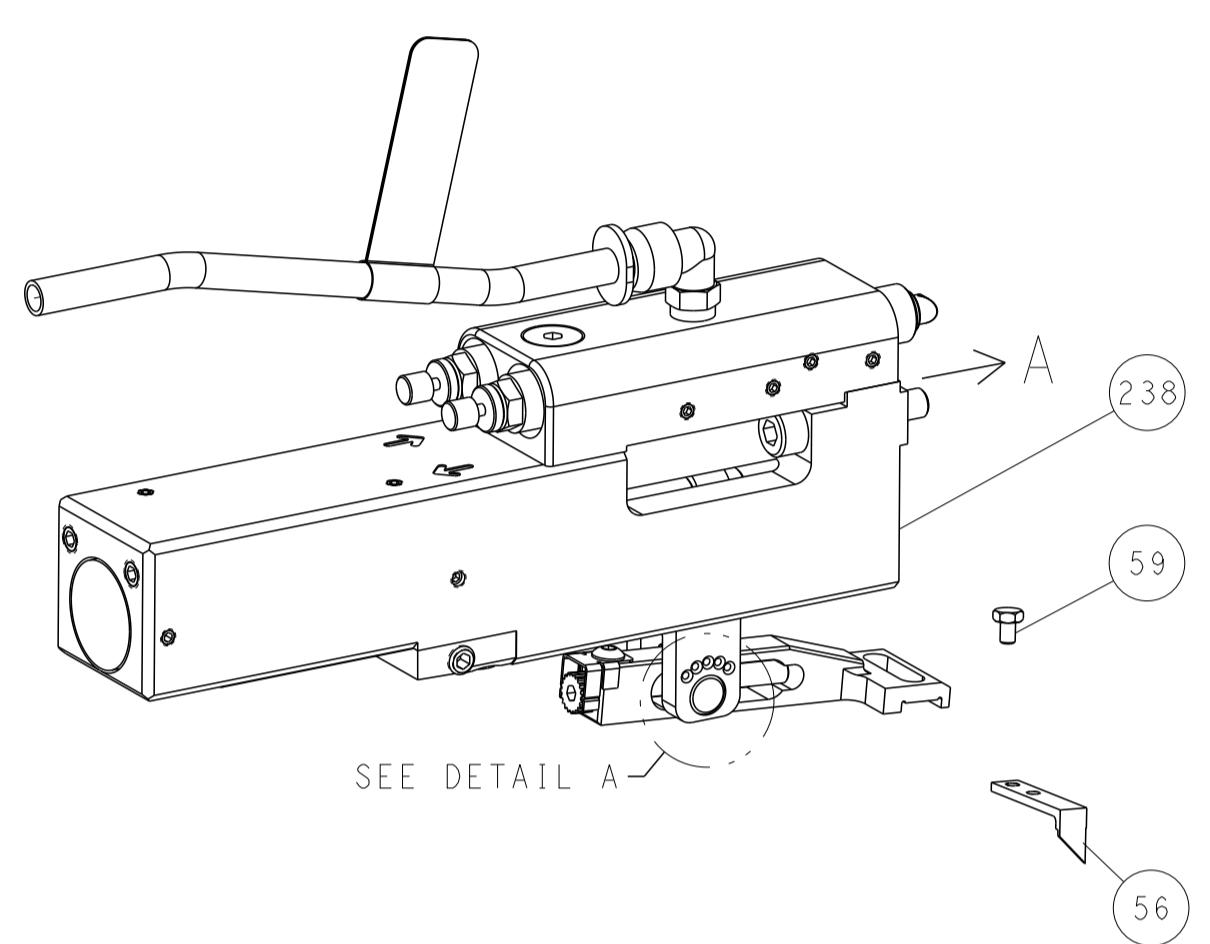
-	1	1	455888-5	SPACER, CRIMPER	285		
-	1	1	2119641-1	FEED CAM, AIR FEED	248		
-	1	1	2119082-4	CAM, SNAIL, INSULATION ADJUSTMENT	244		
-	1	1	2079764-1	WASHER, WAVE SPRING, CREST-TO-CREST	243		
3	-	1	1	2119083-1	RETAINER, INSULATION DIAL	242	
-	1	1	7-18023-7	SCR, SKT HD CAP M3 X 4.0	241		
-	1	1	2844940-1	AIR FEED MODULE	238		
-	REF	REF	994970-2	COUNTER, MAGNETIC	164		
5	-	1	1	2119955-1	ASSY, LUBRICATOR, SIDE FEED	113	
-	1	1	2844908-1	SCREW, LOCKING	99		
-	1	1	2844907-1	POST, LOCKING	98		
-	1	1	455888-6	SPACER, CRIMPER	82		
-	1	1	1803607-3	DOCUMENTATION PACKAGE	71		
-	1	1	1-2119791-0	DEPRESSOR, WIRE	70		
-	1	1	2119943-1	WASHER, SPACER	69		
-	1	1	2119740-1	TAG, IDENTIFICATION	67		
-	2	2	2168078-1	SCREW, DRIVE, RH, RoHS, 2 x .188	66		
-	1	1	2168083-2	SCR, SKT HD CAP, RoHS, M4 X 8.0	60		
-	1	1	5-18022-5	SCR, HEX HD CAP, M4 X 6.0	59		
-	1	1	1338685-1	PAWL, FEED	56		
-	4	4	2168083-3	SCR, SKT HD CAP, RoHS, M4 X 12.0	54		
-	2	2	1-2168083-0	SCR, SKT HD CAP, RoHS, M4 X 10	53		
-	1	1	1803382-2	HOLD DOWN, SPRING LOADED	50		
-	1	1	18023-9	SCR, SKT HD CAP M4 X 6.0	49		
-	1	1	1803583-9	APPLICATOR BASIC ASSEMBLY, SF	46		
-	1	1	1803515-1	RAM ASSEMBLY, SF ATLANTIC	44		
-	1	1	1803602-1	SCR, BHSC, RoHS (M8 X 25)	41		
-	1	1	2-1752356-6	SUPPORT, TERMINAL	34		
-	2	2	2079383-5	SCR, BHSC, RoHS (M4 X 20)	33		
-	2	2	2-2844962-4	SPACER, CYLINDRICAL, STRIP GUIDE	30		
-	1	1	2844992-1	ASSEMBLY, STRIP GUIDE	29		
-	1	1	455888-3	SPACER, CRIMPER	28		
-	1	1	1320928-2	STRIP GUIDE	24		
-	1	1	2168083-2	SCR, SKT HD CAP, RoHS, M4 X 8.0	21		
-	2	2	1-18028-2	WASHER, FLAT, REG M4	20		
-	1	1	2119533-1	STRIPPER, SIDE FEED	19		
1	-	1	1	2119806-1	INSERT, SHEAR	13	
-	1	1	3-22280-3	SPRING, COMPRESSION	12		
-	1	1	1-356885-4	STOP, SHEAR	11		
-	1	1	2119805-1	SHEAR HOLDER, FRONT	10		
1	-	1	1	1803095-6	FLOATING SHEAR, FRONT	9	
1	1	2	1	3-1803512-0	ANVIL, COMBINATION	8	
-	-	-	-	-	7		
-	-	-	-	-	6		
-	1	1	2119757-4	DEPRESSOR, SHEAR	5		
-	1	1	2-238011-0	BLOCK, CRIMPER SPACER	4		
1	1	2	1	5-2119582-1	CRIMPER, INSULATION F PREMIUM	3	
-	1	1	455888-2	SPACER, CRIMPER	2		
1	1	2	1	9-1803470-0	CRIMPER, WIRE F	1	
-	77	72	-2	PART NO			
-				DESCRIPTION			ITEM NO

ATLANTIC VERSION
 Shown on sheets 1 of 4 & 2 of 4
 (Pacific version shown on sheets 3 of 4 & 4 of 4)

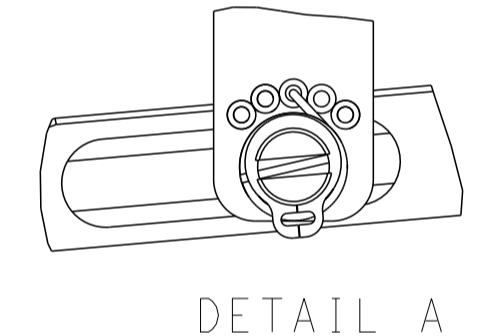
DIMENSIONS:		TOLERANCES UNLESS OTHERWISE SPECIFIED:		MATERIAL:		FINISH:	
mm	0 PLC ±	1 PLC ±	2 PLC ±	3 PLC ±	4 PLC ±	ANGLES ±	FINISH ±
				WEIGHT: - SCALE: 1:2 SHEET: 1 of 4 REV: C			

LOC	DIST	REVISIONS			
P	LTN	DESCRIPTION	DATE	DWN	APVD
A	66	SEE SHEET 1			

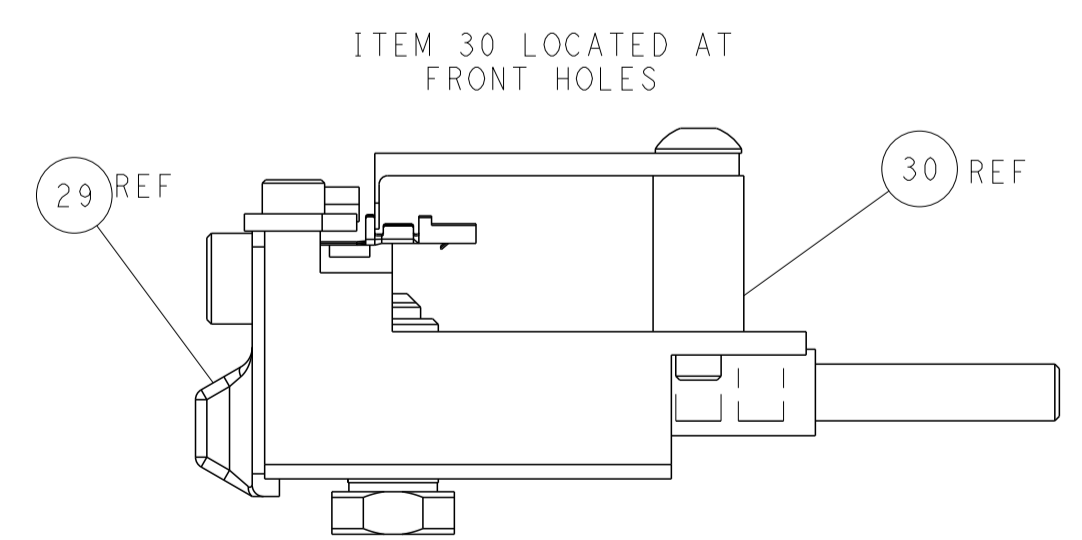
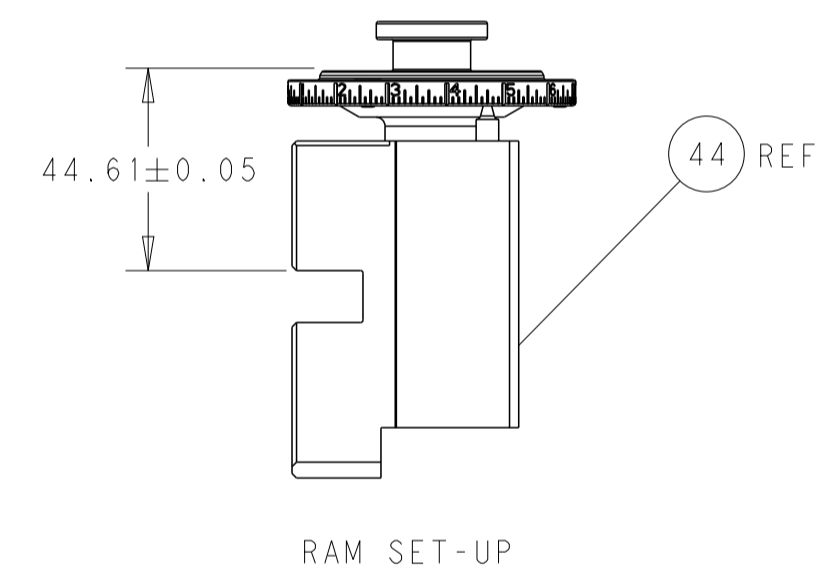
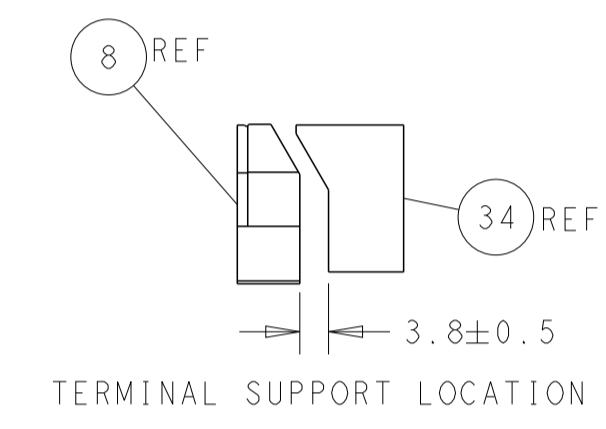
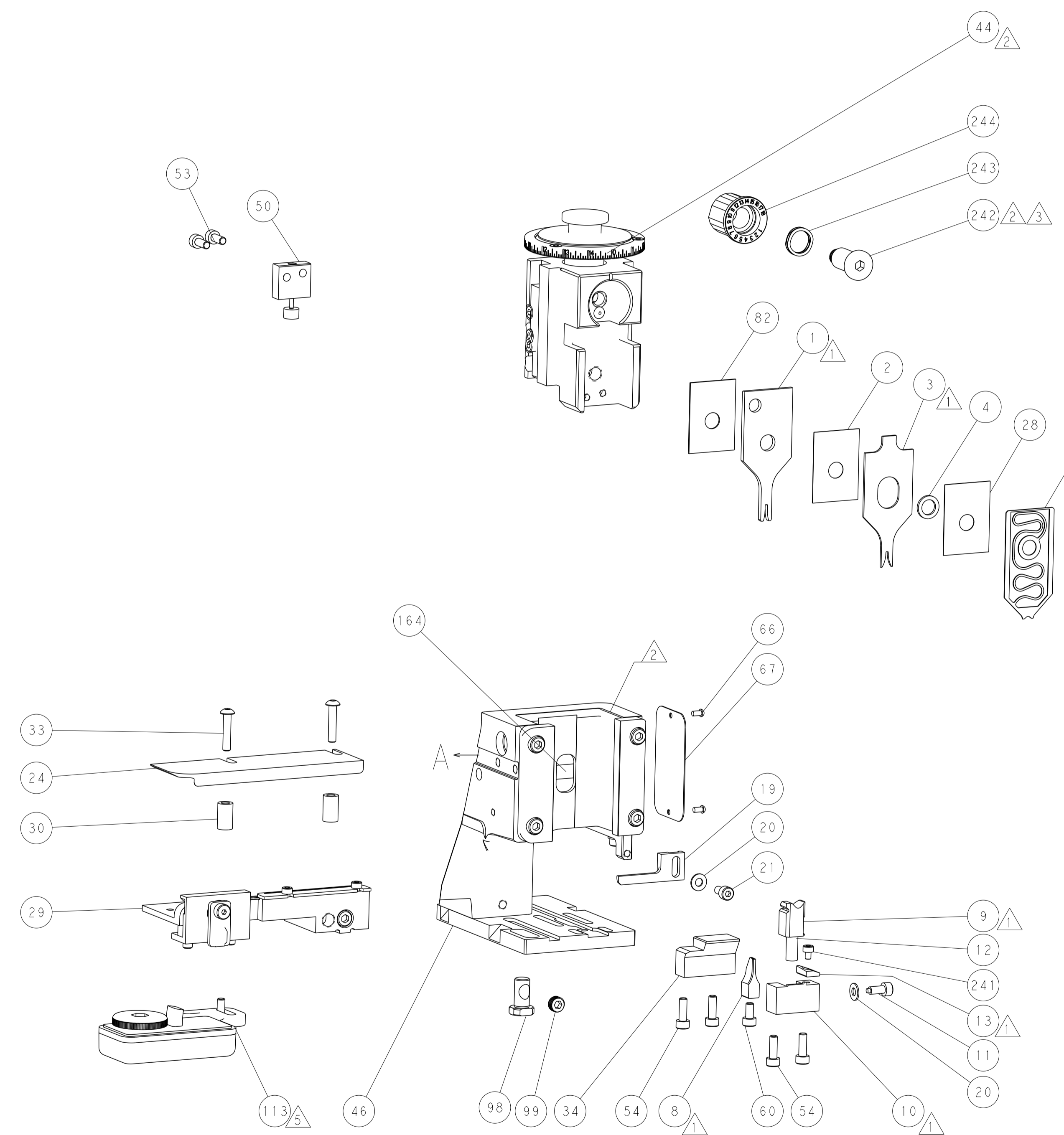
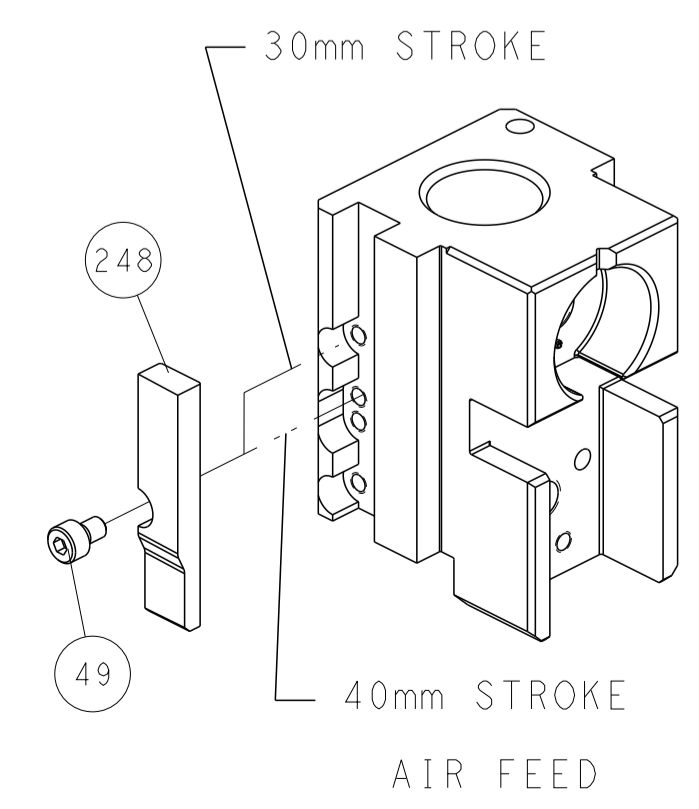
FEED TYPE PNEUMATIC



FEED SPRING SETTING POSITION (SHOWN FROM REAR SIDE)



CAM POSITION



ATLANTIC VERSION
 Shown on sheets 1 of 4 & 2 of 4
 (Pacific version shown on sheets 3 of 4 & 4 of 4)

DIMENSIONS:		TOLERANCES UNLESS OTHERWISE SPECIFIED:		DWN M. ZHAO 26OCT2018		TE Connectivity	
mm	0 PLC ±	1 PLC ±	2 PLC ±	3 PLC ±	4 PLC ±	Harrisburg, PA 17105-3608	
MATERIAL:		FINISH:		CHK K. ZHANG 26OCT2018		NAME	
				APVD K. ZHANG 26OCT2018		Ocean Side Feed Applicator	
				PRODUCT SPEC		SIZE CAGE CODE DRAWING NO	
				APPLICATION SPEC		RESTRICTED TO	
				WEIGHT		A1 00779 C=2837458	
				Customer Accessible Production Drawing		SCALE 1:2 SHEET 2 OF 4 REV C	

THIS DRAWING IS UNPUBLISHED.	RELEASED FOR PUBLICATION		
COPYRIGHT 20 BY TYCO ELECTRONICS CORPORATION. ALL RIGHTS RESERVED.			
PART NUMBER	REVISION	DESCRIPTION	FEED TYPE
2-2837458-2	C	FINE CRIMP HEIGHT ADJUST	PNEUMATIC
7-2837458-7	A	CRIMP TOOLING KIT	-

PACIFIC VERSION TERMINATOR
INTERFACE ADAPTER



APPLICATOR DATA		
CRIMP	SIZE	TYPE
WIRE	1.15 mm [.045]	F
INSUL	1.40 mm [.055]	F
APPLICATOR INSTRUCTIONS 408-35042		

TERMINAL DATA: JST TERMINAL		JST CRIMP SPECIFICATION	
TERMINAL NAME: TERMINAL FEMALE .050			
WIRE STRIP LENGTH		TERMINAL INSULATION DIAMETER RANGE	
3.00-4.00 mm [.118-.157 IN]		1.20-1.30 mm [.047-.051 IN]	
TERMINAL APPLICATION SPECIFICATION	CHM-J-SPAH01 Rev R1		
TERMINALS APPLIED			
TE TERMINAL	JST TERMINAL	TE TERMINAL	JST TERMINAL
3311354-1	SPAH-A011T-K050	3311354-2	SPAH-A011GF-K050

WIRE SIZE	CRIMP HEIGHT mm [INCH]	CRIMP HEIGHT REFERENCE SETTING
0.35mm2	0.85+/-0.03 [.033+/-0.001]	7.9
0.22mm2	0.80+/-0.03 [.031+/-0.001]	8.4

- RECOMMENDED SPARE PARTS
- REFER TO SUPPLIED INSTRUCTION SHEET FOR CLEANING, LUBRICATION AND STORAGE OF APPLICATOR.
- APPLY PART NUMBER 2-23419-6 LOCTITE TO THREADS OF ITEM 242.
- CRIMP HEIGHT REFERENCE SETTING WAS THE SETTING USED WHEN THE APPLICATOR WAS QUALIFIED AT THE FACTORY. ADJUSTMENT MAY BE NECESSARY WHEN RUNNING APPLICATOR IN THE FIELD.
- TERMINAL LUBRICANT IS RECOMMENDED.
- 6. UNLESS SPECIFIED OTHERWISE TORQUE VALUES SHALL BE USED PER DOCUMENT, 101-35000.
- TERMINAL PITCH NOT COMPATIBLE WITH MECHANICAL FEED.

***WARNING**
ON INSTALLATION, SET WIRE DISC TO CRIMP HEIGHT REFERENCE SETTINGS GREATER THAN THE VALUE SHOWN MAY CAUSE DAMAGE TO THE CRIMP TOOLING. REFER TO THE INSTRUCTION SHEET FOR PROPER SETUP AND ADJUSTMENTS.

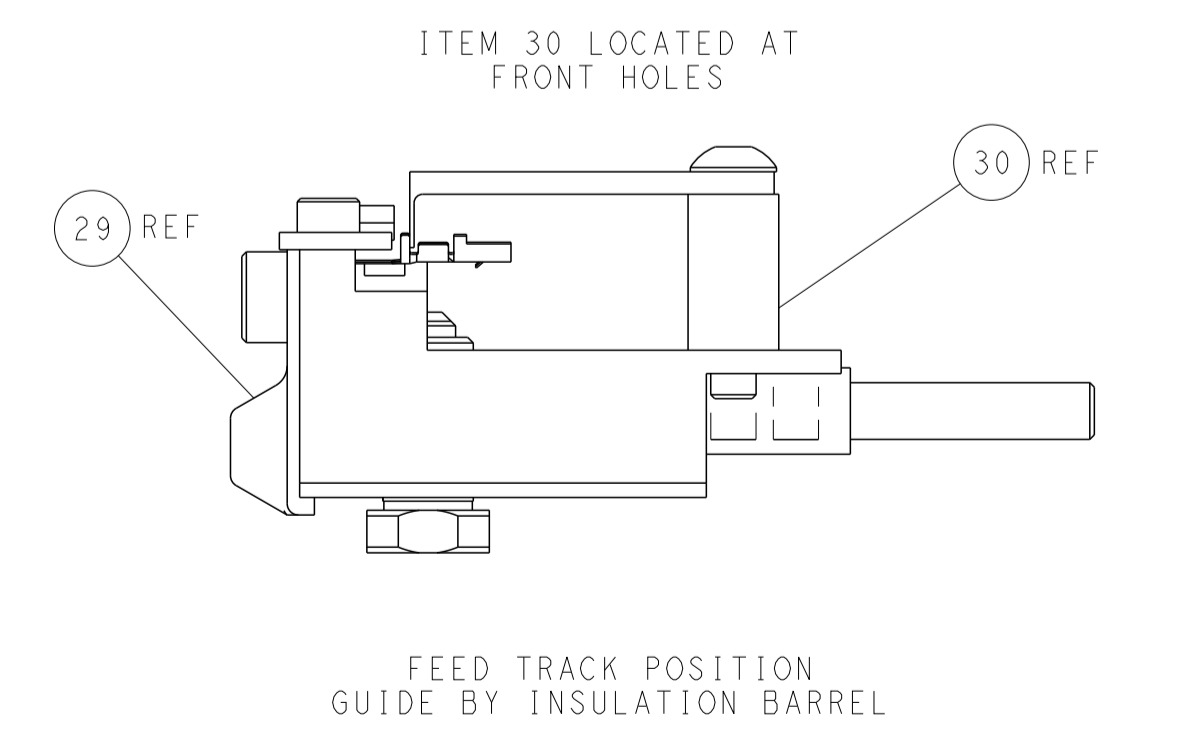
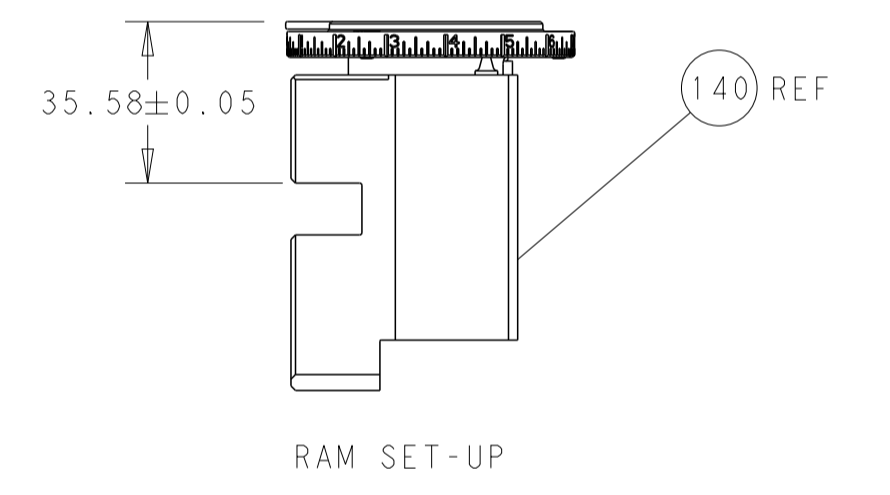
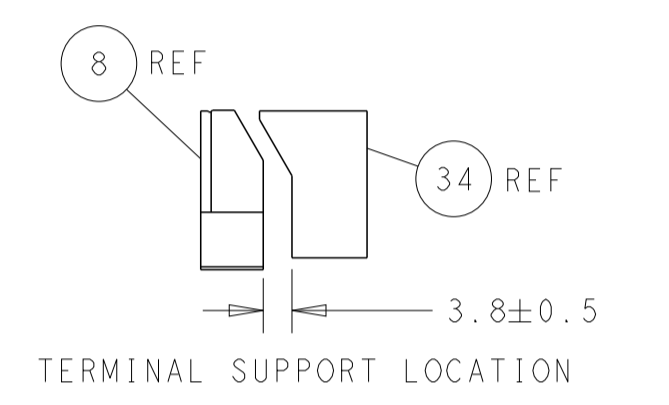
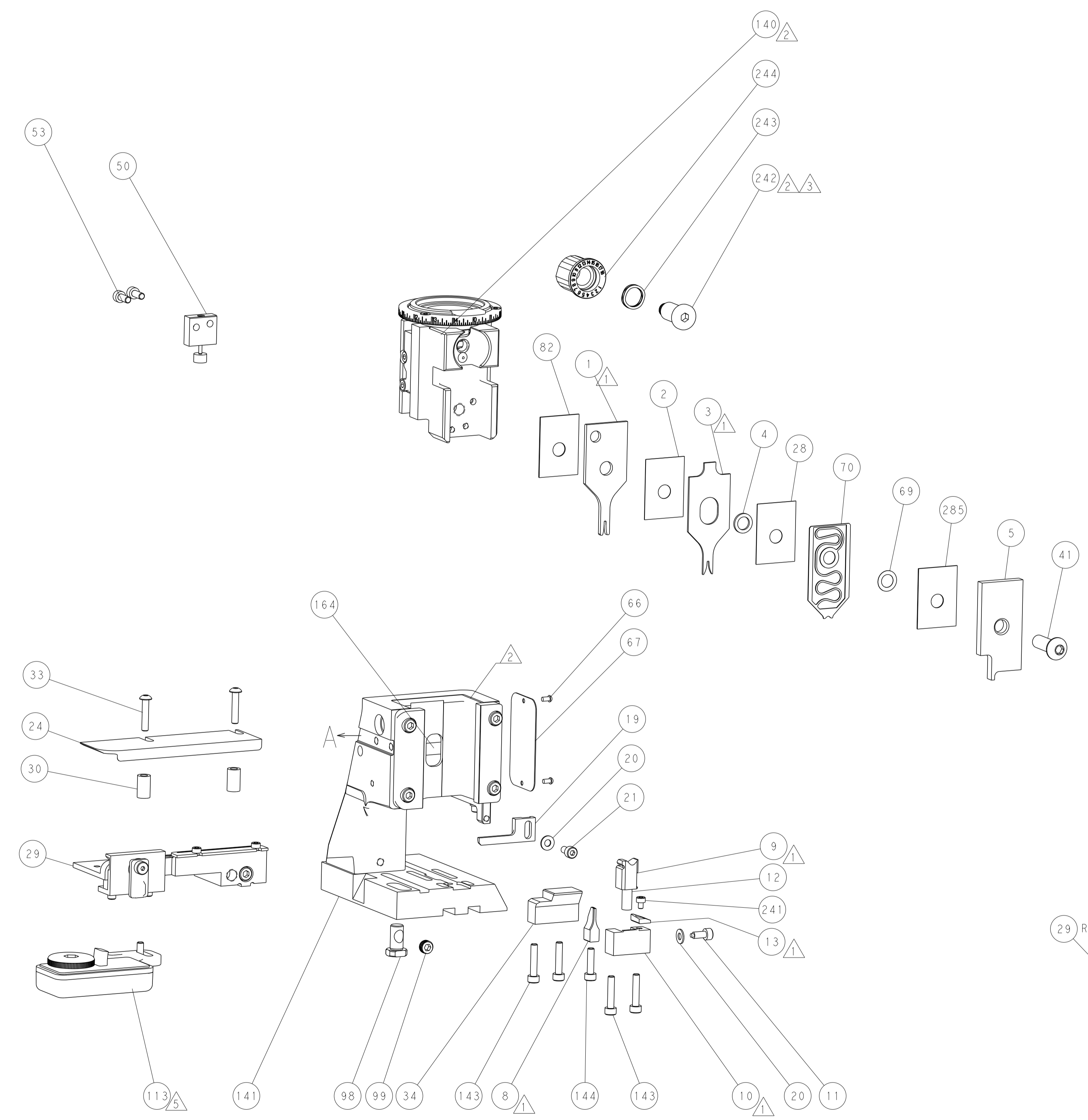
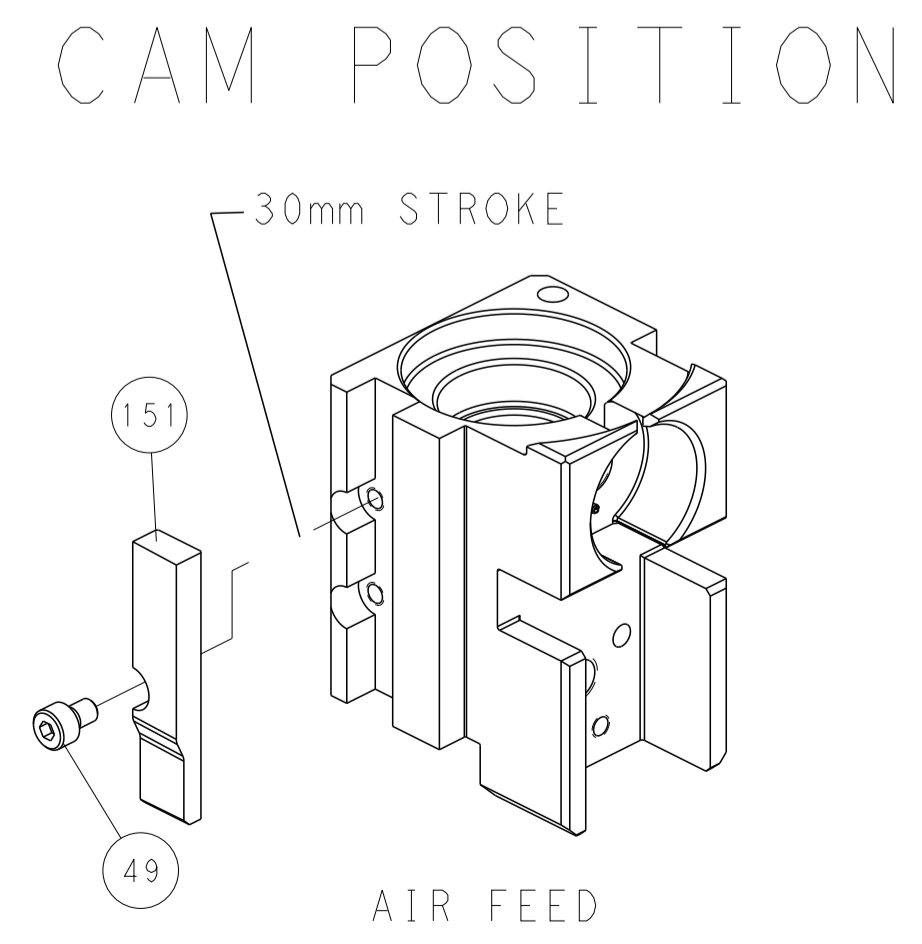
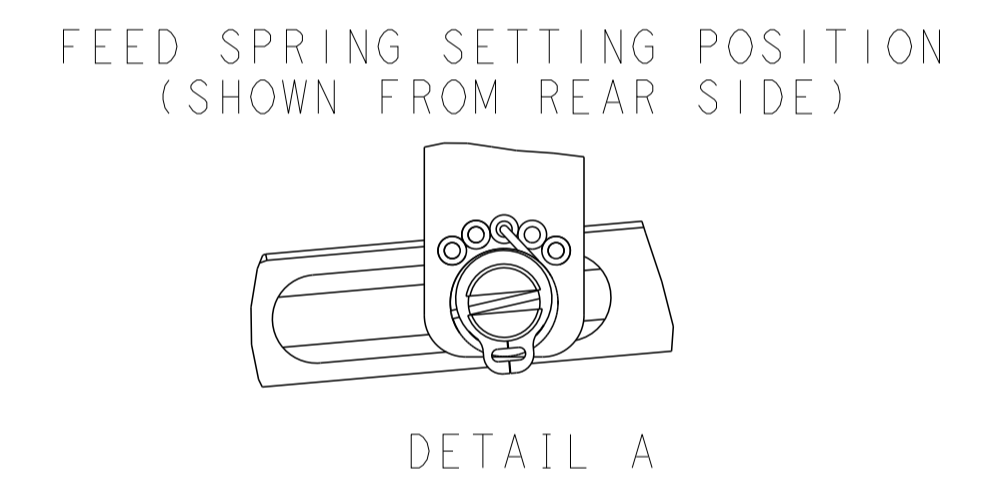
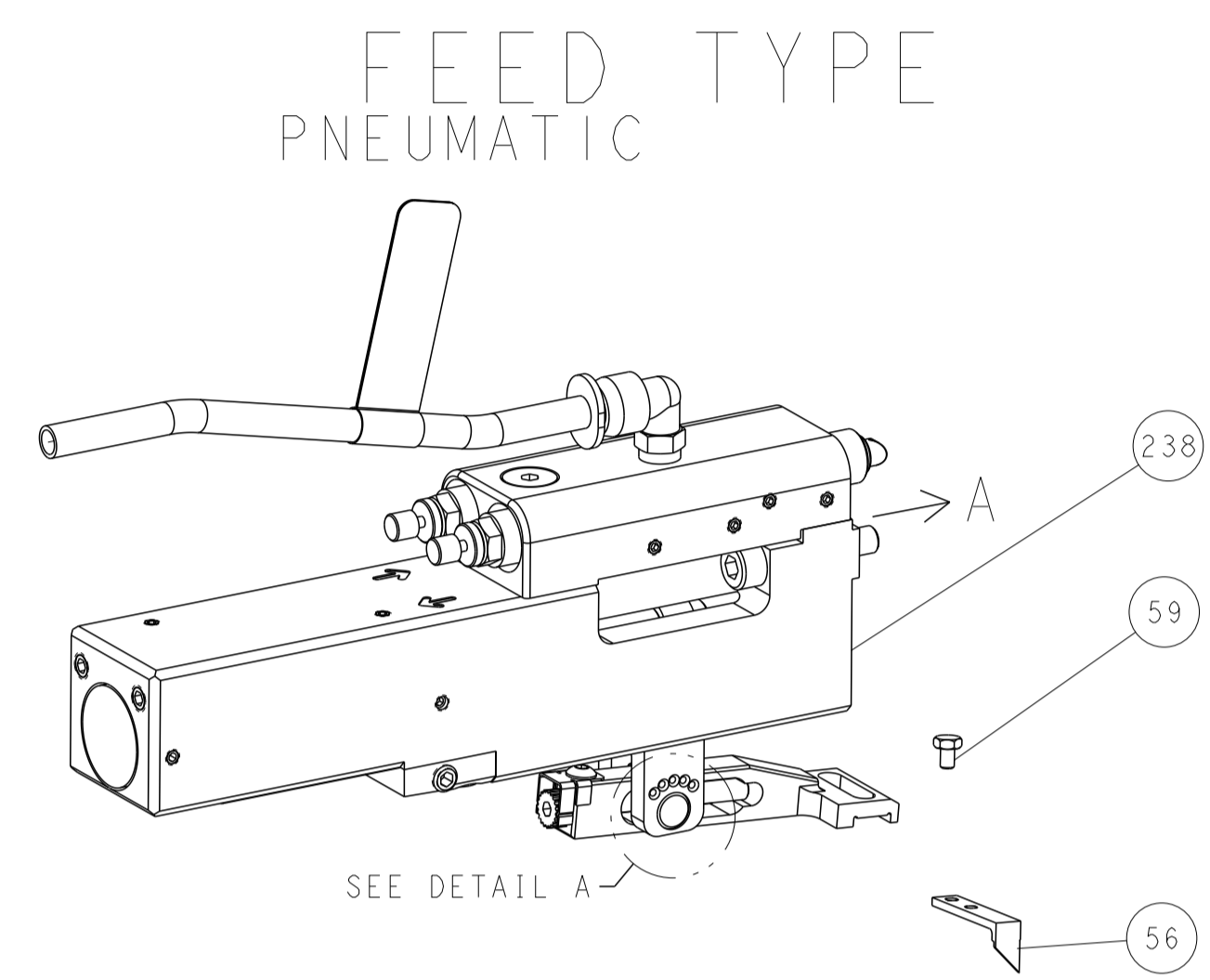
LOC	DIST	REV	DATE	BY	APPV
A	66				

REVISIONS					
REV	DATE	BY	DESCRIPTION	DATE	BY
-	-	-	SEE SHEET 1	-	-
-	1	455888-5	SPACER, CRIMPER	285	
-	1	2119082-4	CAM, SNAIL, INSULATION ADJUSTMENT	244	
-	1	2079764-1	WASHER, WAVE SPRING, CREST-TO-CREST	243	
-	1	2119083-1	RETAINER, INSULATION DIAL	242	
-	1	7-18023-7	SCR, SKT HD CAP M3 X 4.0	241	
-	1	2844940-1	AIR FEED MODULE	238	
-	REF	994970-2	COUNTER, MAGNETIC	164	
-	1	2119641-2	FEED CAM, AIR FEED	151	
-	1	2168083-8	SCR, SKT HD CAP, RoHS, M4 X 16	144	
-	4	2168083-9	SCR, SKT HD CAP, RoHS, M4 X 20	143	
-	1	1-1803583-0	APPLICATOR BASIC ASSEMBLY, SF	141	
-	1	1803516-1	RAM ASSEMBLY, SF PACIFIC	140	
-	1	2119955-1	ASSY, LUBRICATOR, SIDE FEED	113	
-	1	2844908-1	SCREW, LOCKING	99	
-	1	2844907-1	POST, LOCKING	98	
-	1	455888-6	SPACER, CRIMPER	82	
-	1	1803607-3	DOCUMENTATION PACKAGE	71	
-	1	1-2119791-0	DEPRESSOR, WIRE	70	
-	1	2119943-1	WASHER, SPACER	69	
-	1	2119740-1	TAG IDENTIFICATION	67	
-	2	2168078-1	SCREW, DRIVE, RH, RoHS, 2 x .188	66	
-	1	5-18022-5	SCR, HEX HD CAP, M4 X 6.0	59	
-	1	1338685-1	PAWL, FEED	56	
-	2	1-2168083-0	SCR, SKT HD CAP, RoHS, M4 X 10	53	
-	1	1803382-2	HOLD DOWN, SPRING LOADED	50	
-	1	18023-9	SCR, SKT HD CAP M4 X 6.0	49	
-	1	1803602-1	SCR, BHSC, RoHS (M8 X 25)	41	
-	1	2-1752356-6	SUPPORT, TERMINAL	34	
-	2	2079383-5	SCR, BHSC, RoHS (M4 X 20)	33	
-	2	2-2844962-4	SPACER, CYLINDRICAL, STRIP GUIDE	30	
-	1	2844992-1	ASSEMBLY, STRIP GUIDE	29	
-	1	455888-3	SPACER, CRIMPER	28	
-	1	1320928-2	STRIP GUIDE	24	
-	1	2168083-2	SCR, SKT HD CAP, RoHS, M4 X 8.0	21	
-	2	1-18028-2	WASHER, FLAT, REG M4	20	
-	1	2119533-1	STRIPPER, SIDE FEED	19	
-	1	2119806-1	INSERT, SHEAR	13	
-	1	3-22280-3	SPRING, COMPRESSION	12	
-	1	1-356885-4	STOP, SHEAR	11	
-	1	2119805-1	SHEAR HOLDER, FRONT	10	
-	1	1803095-6	FLOATING SHEAR, FRONT	9	
-	1	1	3-1803512-0	ANVIL, COMBINATION	8
-	-	-	-	7	
-	-	-	-	6	
-	1	2119757-4	DEPRESSOR, SHEAR	5	
-	1	2-238011-0	BLOCK, CRIMPER SPACER	4	
-	1	1	5-2119582-1	CRIMPER, INSULATION F PREMIUM	3
-	1	1	455888-2	SPACER, CRIMPER	2
-	1	1	9-1803470-0	CRIMPER, WIRE F	1

PACIFIC VERSION
Shown on sheets 3 of 4 & 4 of 4
(Atlantic version shown on sheets 1 of 4 & 2 of 4)

<small>THIS DRAWING IS UNPUBLISHED. IT IS THE PROPERTY OF TYCO ELECTRONICS CORPORATION. IT IS TO BE USED ONLY FOR THE PURPOSES SPECIFIED. IT IS NOT TO BE REPRODUCED OR TRANSMITTED IN ANY FORM OR BY ANY MEANS, ELECTRONIC OR MECHANICAL, INCLUDING PHOTOCOPYING, RECORDING, OR BY ANY INFORMATION STORAGE AND RETRIEVAL SYSTEM, WITHOUT PERMISSION IN WRITING FROM TYCO ELECTRONICS CORPORATION.</small>		DWN M. ZHAO 26OCT2018 CHK K. ZHANG 26OCT2018 APVD K. ZHANG 26OCT2018	TE Connectivity Harrisburg, PA 17105-3608
DIMENSIONS: mm 		TOLERANCES UNLESS OTHERWISE SPECIFIED: 0 PLC ± 1 PLC ± 2 PLC ± 3 PLC ± 4 PLC ± ANGLES ± FINISH ±	NAME Ocean Side Feed Applicator
MATERIAL:		WEIGHT:	SIZE: A1 CAGE CODE: 00779 DRAWING NO: C=2837458 RESTRICTED TO:
CUSTOMER ACCESSIBLE PRODUCTION DRAWING		SCALE: 1:2	SHEET 3 OF 4 REV C

LOC	DIST	REVISIONS					
A	66	P	LTN	DESCRIPTION	DATE	DMN	APVD
		-		SEE SHEET 1	-	-	-



PACIFIC VERSION
 Shown on sheets 3 of 4 & 4 of 4
 (Atlantic version shown on sheets 1 of 4 & 2 of 4)

<small>THIS DRAWING IS UNPUBLISHED. RELEASED FOR PUBLICATION. ALL RIGHTS RESERVED. © 2018 BY TYCO ELECTRONICS CORPORATION. THIS DRAWING IS CONTROLLED DOCUMENT. THE INFORMATION CONTAINED HEREIN IS UNCLASSIFIED EXCEPT WHERE SHOWN OTHERWISE. THIS INFORMATION IS CONTROLLED DOCUMENT. THE INFORMATION CONTAINED HEREIN IS UNCLASSIFIED EXCEPT WHERE SHOWN OTHERWISE.</small>		DMN: M. ZHAO 26OCT2018 CHK: K. ZHANG 26OCT2018 APVD: K. ZHANG 26OCT2018	TE Connectivity Harrisburg, PA 17105-3608
DIMENSIONS: mm TOLERANCES UNLESS OTHERWISE SPECIFIED: 0 PLC ± 1 PLC ± 2 PLC ± 3 PLC ± 4 PLC ± ANGLES ± MATERIAL: - FINISH: -		NAME: Ocean Side Feed Applicator APPLICATION SPEC: - SIZE: A1 CAGE CODE: 00779 DRAWING NO: C=2837458 WEIGHT: - SCALE: 1:2	RESTRICTED TO: - SHEET 4 OF 4 REV C
CUSTOMER ACCESSIBLE PRODUCTION DRAWING		SHEETS 1 & 2 ARE NOT REQUIRED FOR PACIFIC VERSION	