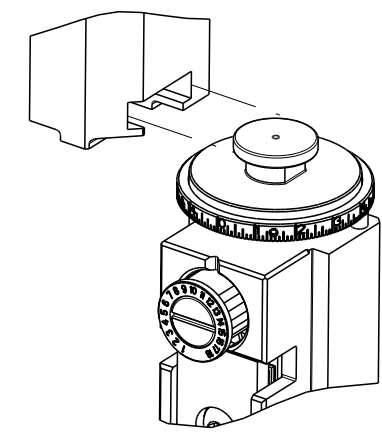


PART NUMBER	REVISION	DESCRIPTION	FEED TYPE
2837924-2	A	FINE CRIMP HEIGHT ADJUST	PNEUMATIC
7-2837924-2	A	PNEUMATIC AND CRIMP TOOLING KIT	PNEUMATIC
7-2837924-7	A	CRIMP TOOLING KIT	-

ATLANTIC VERSION TERMINATOR INTERFACE ADAPTER

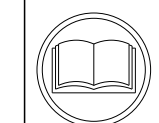


APPLICATOR DATA		
CRIMP	SIZE	TYPE
WIRE	3.05 mm [.120]	F
INSUL	4.06 mm [.160]	F

APPLICATOR INSTRUCTIONS 408-35042

TERMINAL DATA: APTIV/DELPHI TERMINAL TE CRIMP SPECIFICATION			
TERMINAL NAME: 56 SERIES MALE CONNECTOR			
WIRE STRIP LENGTH		TERMINAL INSULATION DIAMETER RANGE	
4.18-4.94 mm [.164-.194 IN]		∅2.06-2.75 mm [.081-.108 IN]	
TERMINAL APPLICATION SPECIFICATION	NONE		AT9106
TERMINALS APPLIED			
TE TERMINAL	APTIV/DELPHI TERMINAL	TE TERMINAL	APTIV/DELPHI TERMINAL
3311738-1	02965481		

WIRE SIZE	CRIMP HEIGHT mm [INCH]	CRIMP HEIGHT REFERENCE SETTING
18 AWG	2.16+/-0.05 [.085+/- .002]	7.5



- 1 RECOMMENDED SPARE PARTS
- 2 REFER TO SUPPLIED INSTRUCTION SHEET FOR CLEANING, LUBRICATION & STORAGE OF APPLICATOR.
- 3 APPLY PART NUMBER 2-23419-6 LOCTITE TO THREADS OF ITEM 242.
- 4 CRIMP HEIGHT REFERENCE SETTING WAS THE SETTING USED WHEN THE APPLICATOR WAS QUALIFIED AT THE FACTORY. ADJUSTMENT MAY BE NECESSARY WHEN RUNNING APPLICATOR IN THE FIELD.
5. UNLESS SPECIFIED OTHERWISE TORQUE VALUES SHALL BE USED PER DOCUMENT 101-35000.
- 6 TERMINAL PITCH NOT COMPATIBLE WITH MECHANICAL FEED.
- 7 TERMINAL LUBRICANT IS RECOMMENDED.

**\*WARNING**  
ON INSTALLATION, SET WIRE DISC TO CRIMP HEIGHT REFERENCE SETTING FOR LARGEST WIRE SIZE. CRIMP HEIGHT REFERENCE SETTINGS GREATER THAN THE VALUE SHOWN MAY CAUSE DAMAGE TO THE CRIMP TOOLING, REFER TO THE INSTRUCTION SHEET FOR PROPER SETUP AND ADJUSTMENTS.

**ATLANTIC VERSION**  
Shown on sheets 1 of 4 & 2 of 4  
(Pacific version shown on sheets 3 of 4 & 4 of 4)

LOC	DIST	REVISIONS			
		REV	DATE	BY	APPV
A	66	1	16DEC2020	MEH	TE
		A	24MAR2021	MEH	TE

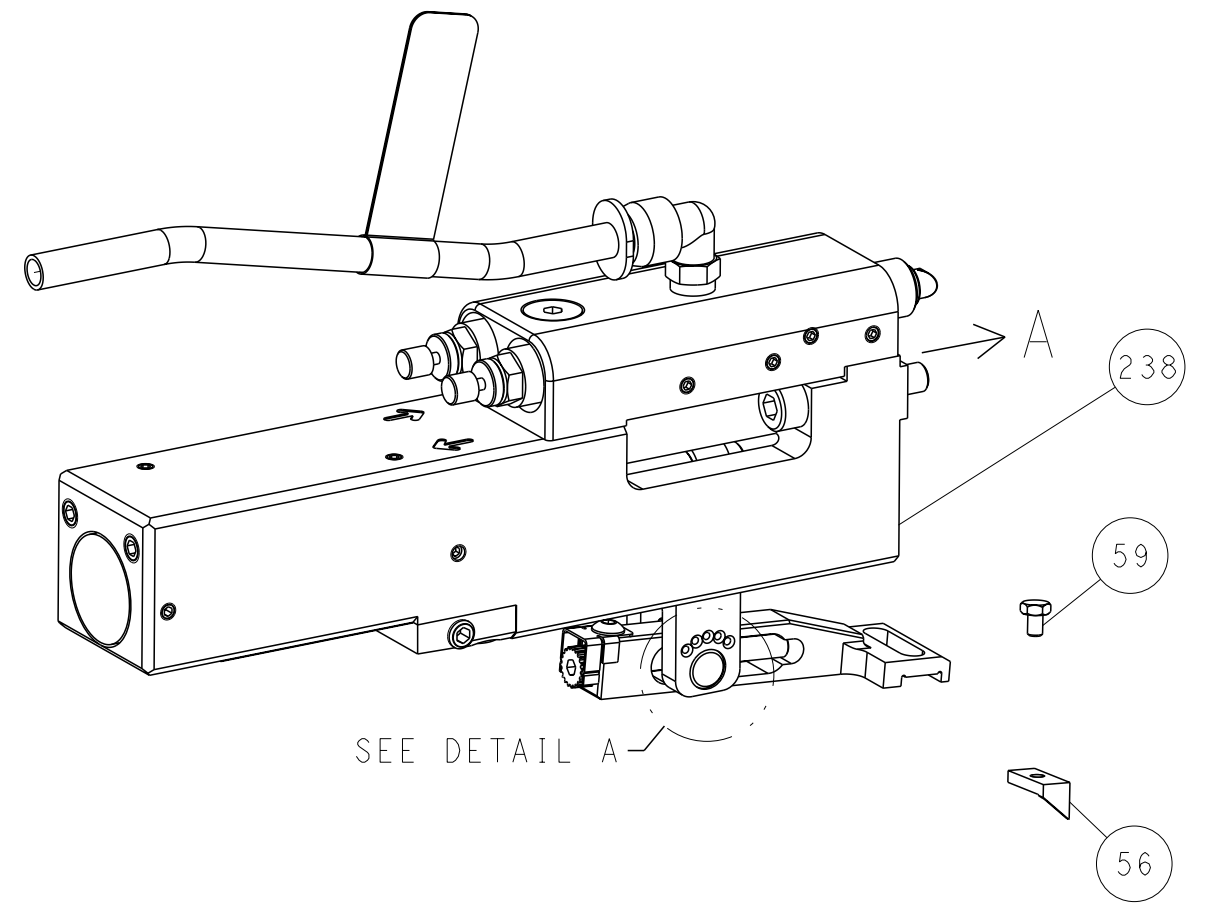
-	1	1	2119791-6	DEPRESSOR, WIRE	286
-	1	1	2119641-1	FEED CAM, AIR FEED	248
-	1	1	2119082-4	CAM, SNAIL, INSULATION ADJUSTMENT	244
-	1	1	2079764-1	WASHER, WAVE SPRING, CREST-TO-CREST	243
3	-	1	2119083-1	RETAINER, INSULATION DIAL	242
-	1	1	2844940-1	AIR FEED MODULE	238
-	REF	REF	994970-2	COUNTER, MAGNETIC	164
-	1	1	1-22281-8	SPRING, COMPRESSION	121
7	-	1	2119955-1	ASSY, LUBRICATOR, SIDE FEED	113
-	1	1	2844908-1	SCREW, LOCKING	99
-	1	1	2844907-1	POST, LOCKING	98
-	1	1	1803647-2	SPECIAL, REAR STRIP GUIDE	96
-	2	2	1-2168083-3	SCR, SKT HD CAP, RoHS, M3 X 16	95
-	1	1	2168083-6	SCR, SKT HD CAP, RoHS, M5 X 6.5	93
-	1	1	2168083-5	SCR, SKT HD CAP, RoHS, M4 X 6.0	92
-	1	1	2168083-3	SCR, SKT HD CAP, RoHS, M4 X 12.0	91
-	1	1	455888-5	SPACER, CRIMPER	82
-	1	1	1803607-3	DOCUMENTATION PACKAGE	71
-	1	1	2119740-1	TAG, IDENTIFICATION	67
-	2	2	2168078-1	SCREW, DRIVE, RH, RoHS, 2 x .188	66
-	2	2	2-18032-5	SCR, SET, FLT PNT, M5 X 20.0	61
-	1	1	2168083-2	SCR, SKT HD CAP, RoHS, M4 X 8.0	60
-	1	1	5-18022-5	SCR, HEX HD CAP, M4 X 6.0	59
-	1	1	1338683-1	FEED PAWL	56
-	2	2	2168400-1	SHCS, LOW HEAD, RoHS, M4 X 12	54
-	2	2	1-2168083-2	SCR, SKT HD CAP, RoHS, M4 X 25	53
-	1	1	2119830-3	HOLDER, SLUG BLADE	50
-	1	1	18023-9	SCR, SKT HD CAP M4 X 6.0	49
-	1	1	3-1803583-5	APPLICATOR BASIC ASSEMBLY, SF	46
-	1	1	1803515-1	RAM ASSEMBLY, SF ATLANTIC	44
-	1	1	1803602-1	SCR, BHSC, RoHS (M8 X 25)	41
-	2	2	2168083-1	SCR, SKT HD CAP, RoHS, M3 X 8.0	33
-	1	1	2-2305692-6	PLATE, REAR STRIP GUIDE	29
-	2	2	2-22281-1	SPRING, COMPRESSION	27
-	1	1	356835-1	LEVER, DRAG RELEASE	26
-	1	1	240792-2	DRAG, TERMINAL	25
-	1	1	4-189124-1	GUIDE, FRONT STRIP	24
-	1	1	980371-4	SCR, SKT HD SHLDR 5.0 DIA X 6.0	23
-	1	1	2168083-2	SCR, SKT HD CAP, RoHS, M4 X 8.0	21
-	1	1	1-18028-2	WASHER, FLAT, REG M4	20
-	1	1	2119533-1	STRIPPER, SIDE FEED	19
-	1	1	1725849-5	BLADE, SLUG	10
-	1	1	1803939-1	SHEAR, LOWER	9
1	2	1	4-1803763-0	ANVIL, COMBINATION	8
-	1	1	1-240641-0	SPACER	7
-	1	1	1-240641-3	SPACER	6
-	1	1	1803203-1	BLOCK, FRONT DEPRESSOR	5
-	1	1	238011-2	BLOCK, CRIMPER SPACER	4
1	2	1	9-1803017-8	CRIMPER, INSULATION F	3
-	1	1	455888-7	SPACER, CRIMPER	2
1	2	1	2-456409-6	CRIMPER, WIRE .120 "F" PREMIUM	1
-	77	-72	-2	PART NO	ITEM NO

<small>THIS DRAWING IS UNPUBLISHED. IT IS SUBJECT TO CHANGE AND THE CUSTOMER ASSUMES ALL RESPONSIBILITY FOR THE CORRECTNESS OF THE INFORMATION SHOWN ON THIS DRAWING. CONTACT THE SUPPLIER FOR THE LATEST REVISION.</small>		OWN: M. HERR 16DEC2020 CHK: T. ELBIN 16DEC2020 APVD: B. BAIR 16DEC2020	<b>STE</b> TE Connectivity Harrisburg, PA 17105-3608
DIMENSIONS: mm 0 PLC ± 1 PLC ± 2 PLC ± 3 PLC ± 4 PLC ± ANGLES FINISH ±		TOLERANCES UNLESS OTHERWISE SPECIFIED: ±	NAME: OCEAN 2.0 Side Feed Applicator SIZE: A1 CAGE CODE: 00779 DRAWING NO: 2837924 RESTRICTED TO: -
MATERIAL: -		WEIGHT: -	SCALE: 1:2 SHEET: 1 of 4 REV: A

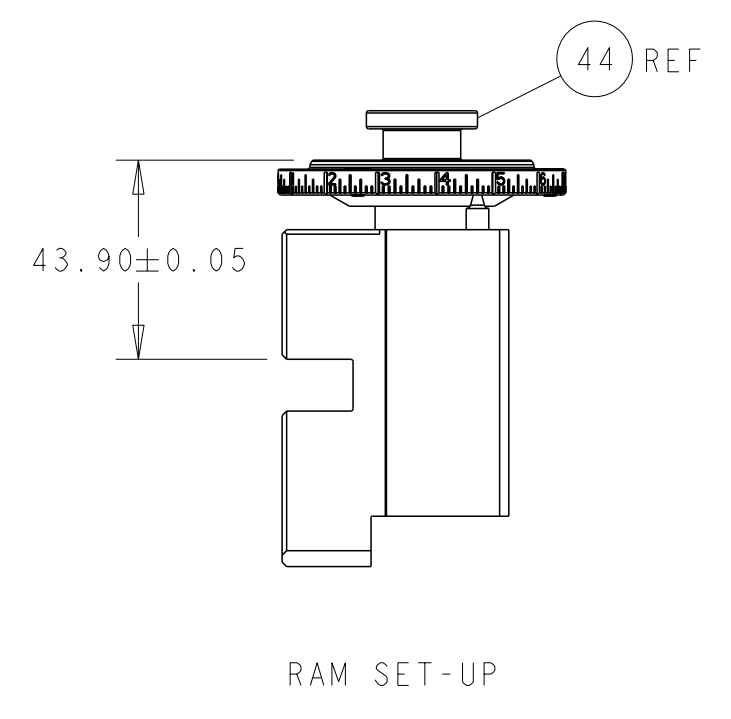
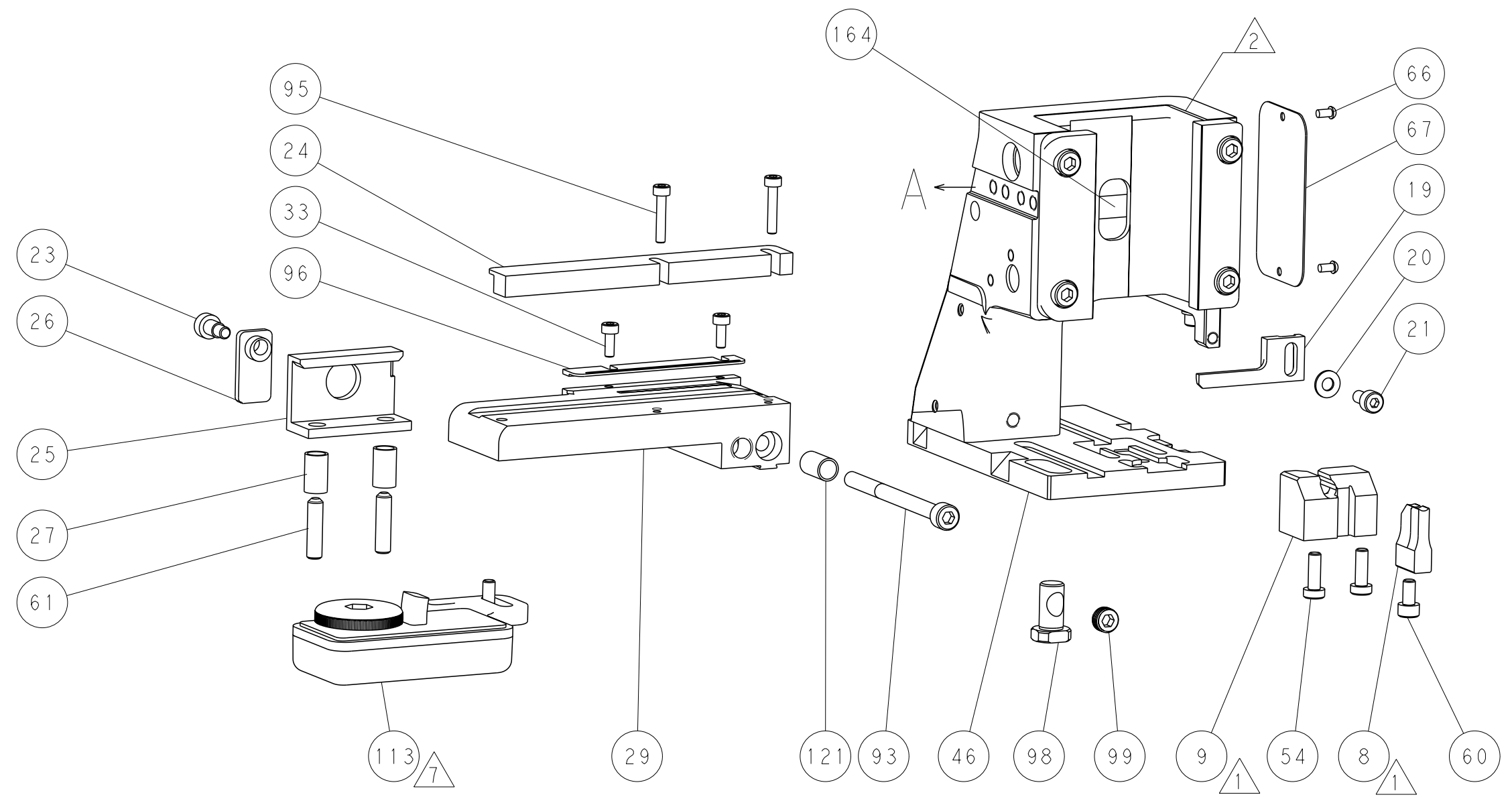
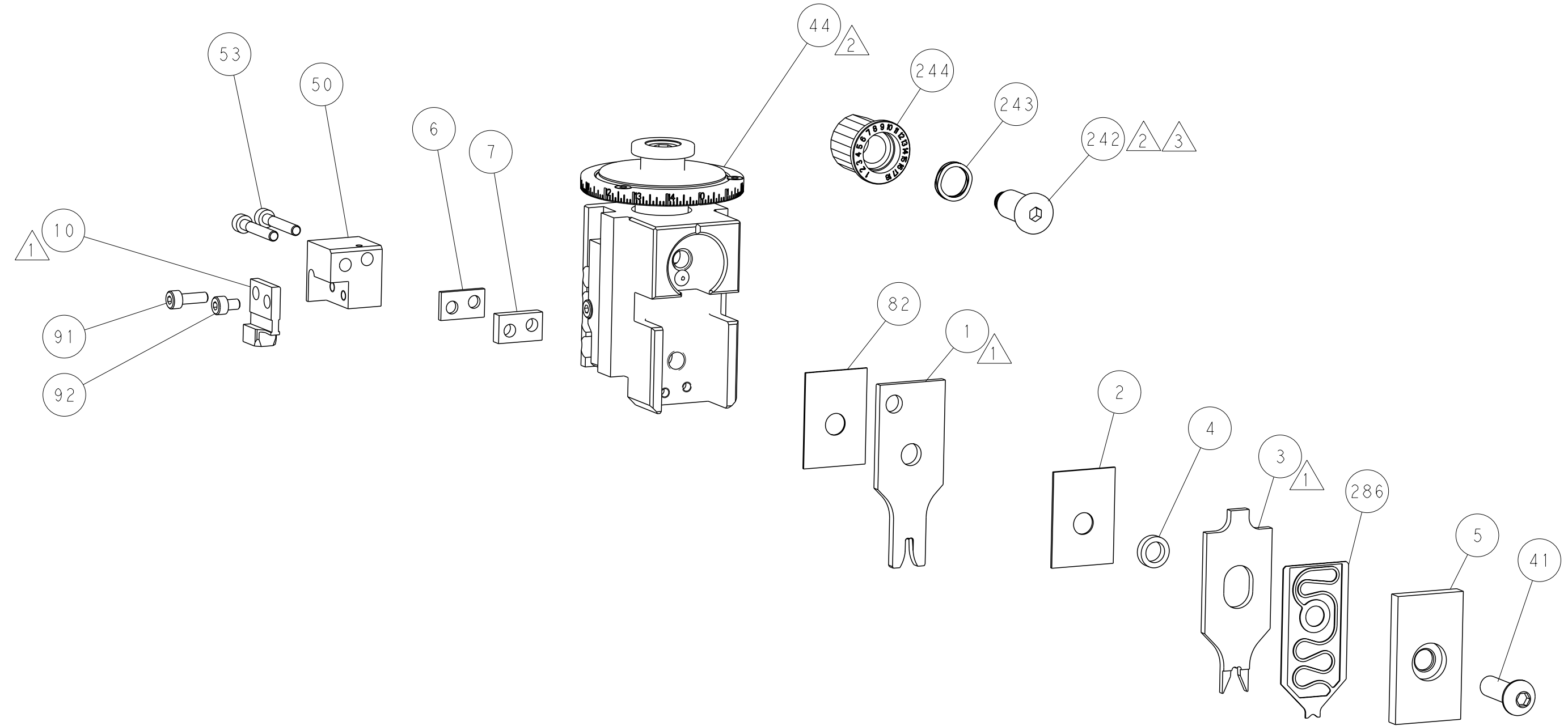
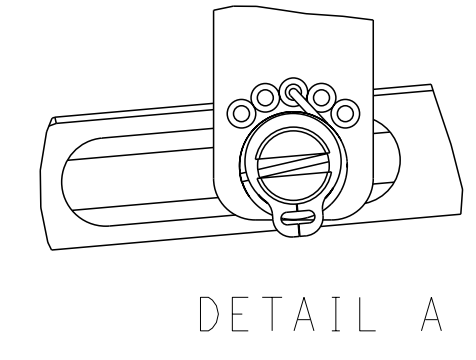
LOC	DIST	REVISIONS					
		P	LY#	DESCRIPTION	DATE	OWN	APVD
A	66	-	-	SEE SHEET 1	-	-	-

# FEED TYPE

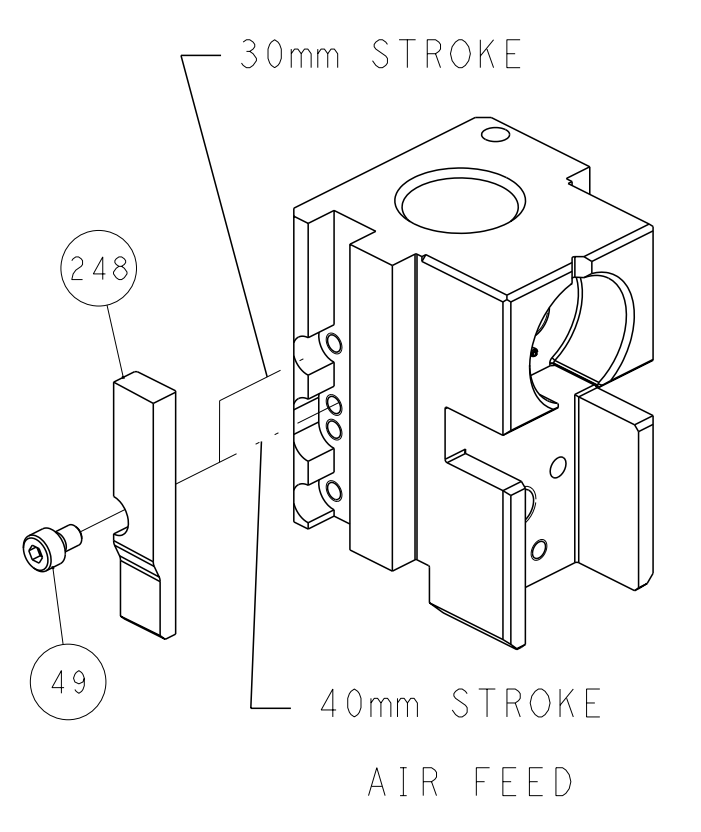
## PNEUMATIC



## FEED SPRING SETTING POSITION (SHOWN FROM REAR SIDE)



# CAM POSITION

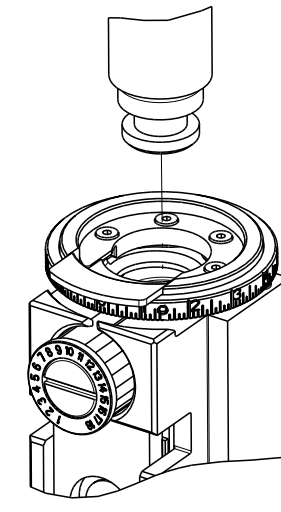


**ATLANTIC VERSION**  
 Shown on sheets 1 of 4 & 2 of 4  
 (Pacific version shown on sheets 3 of 4 & 4 of 4)

<small>THIS DRAWING IS A CONTROLLED DOCUMENT FROM TYCO ELECTRONICS CORPORATION. IT IS SUBJECT TO CHANGE AND THE CONTROLLER'S RESERVATION. DISSEMINATION SHOULD BE LIMITED TO THE INTENTED REVISION.</small>		OWN: M. HERR CHK: T. ELBIN APVD: B. BAIR PRODUCT SPEC: - APPLICATION SPEC: - ANGLE FINISH: -	DATE: 16DEC2020 NAME: OCEAN 2.0 Side Feed Applicator SIZE: A1 CAGE CODE: 00779 DRAWING NO: 2837924 SCALE: 1:2 SHEET: 2 of 4 REV: A	TE Connectivity Harrisburg, PA 17105-3608
DIMENSIONS: mm TOLERANCES UNLESS OTHERWISE SPECIFIED: 0 PLC ± 1 PLC ± 2 PLC ± 3 PLC ± 4 PLC ± ANGLES FINISH: -		WEIGHT: - RESTRICTED TO: -	CUSTOMER ACCESSIBLE PRODUCTION DRAWING	

8	7	6	5	4	3	2	1
THIS DRAWING IS UNPUBLISHED.		RELEASED FOR PUBLICATION		2020			
COPYRIGHT 2020 BY TYCO ELECTRONICS CORPORATION. ALL RIGHTS RESERVED.							
PART NUMBER	REVISION	DESCRIPTION	FEED TYPE				
2-2837924-2	A	FINE CRIMP HEIGHT ADJUST	PNEUMATIC				
7-2837924-7	A	CRIMP TOOLING KIT	-				

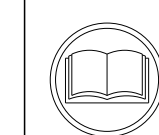
PACIFIC VERSION TERMINATOR  
INTERFACE ADAPTER



APPLICATOR DATA		
CRIMP	SIZE	TYPE
WIRE	3.05 mm [.120]	F
INSUL	4.06 mm [.160]	F
APPLICATOR INSTRUCTIONS 408-35042		

TERMINAL DATA: APTIV/DELPHI TERMINAL TE CRIMP SPECIFICATION			
TERMINAL NAME: 56 SERIES MALE CONNECTOR			
WIRE STRIP LENGTH		TERMINAL INSULATION DIAMETER RANGE	
4.18-4.94 mm [.164-.194 IN]		∅2.06-2.75 mm [.081-.108 IN]	
TERMINAL APPLICATION SPECIFICATION	NONE		AT9106
TERMINALS APPLIED			
TE TERMINAL	APTIV/DELPHI TERMINAL	TE TERMINAL	APTIV/DELPHI TERMINAL
3311738-1	02965481		

WIRE SIZE	CRIMP HEIGHT mm [INCH]	CRIMP HEIGHT REFERENCE SETTING
18 AWG	2.16+/-0.05 [.085+/-0.02]	7.5



- RECOMMENDED SPARE PARTS
- REFER TO SUPPLIED INSTRUCTION SHEET FOR CLEANING, LUBRICATION AND STORAGE OF APPLICATOR.
- APPLY PART NUMBER 2-23419-6 LOCTITE TO THREADS OF ITEM 242.
- CRIMP HEIGHT REFERENCE SETTING WAS THE SETTING USED WHEN THE APPLICATOR WAS QUALIFIED AT THE FACTORY. ADJUSTMENT MAY BE NECESSARY WHEN RUNNING APPLICATOR IN THE FIELD.
- 5. UNLESS SPECIFIED OTHERWISE TORQUE VALUES SHALL BE USED PER DOCUMENT 101-35000.
- TERMINAL PITCH NOT COMPATIBLE WITH MECHANICAL FEED.
- TERMINAL LUBRICANT IS RECOMMENDED.

**\*WARNING**  
ON INSTALLATION, SET WIRE DISC TO CRIMP HEIGHT REFERENCE SETTING FOR LARGEST WIRE SIZE. CRIMP HEIGHT REFERENCE SETTINGS GREATER THAN THE VALUE SHOWN MAY CAUSE DAMAGE TO THE CRIMP TOOLING, REFER TO THE INSTRUCTION SHEET FOR PROPER SETUP AND ADJUSTMENTS.

PACIFIC VERSION  
Shown on sheets 3 of 4 & 4 of 4  
(Atlantic version shown on sheets 1 of 4 & 2 of 4)

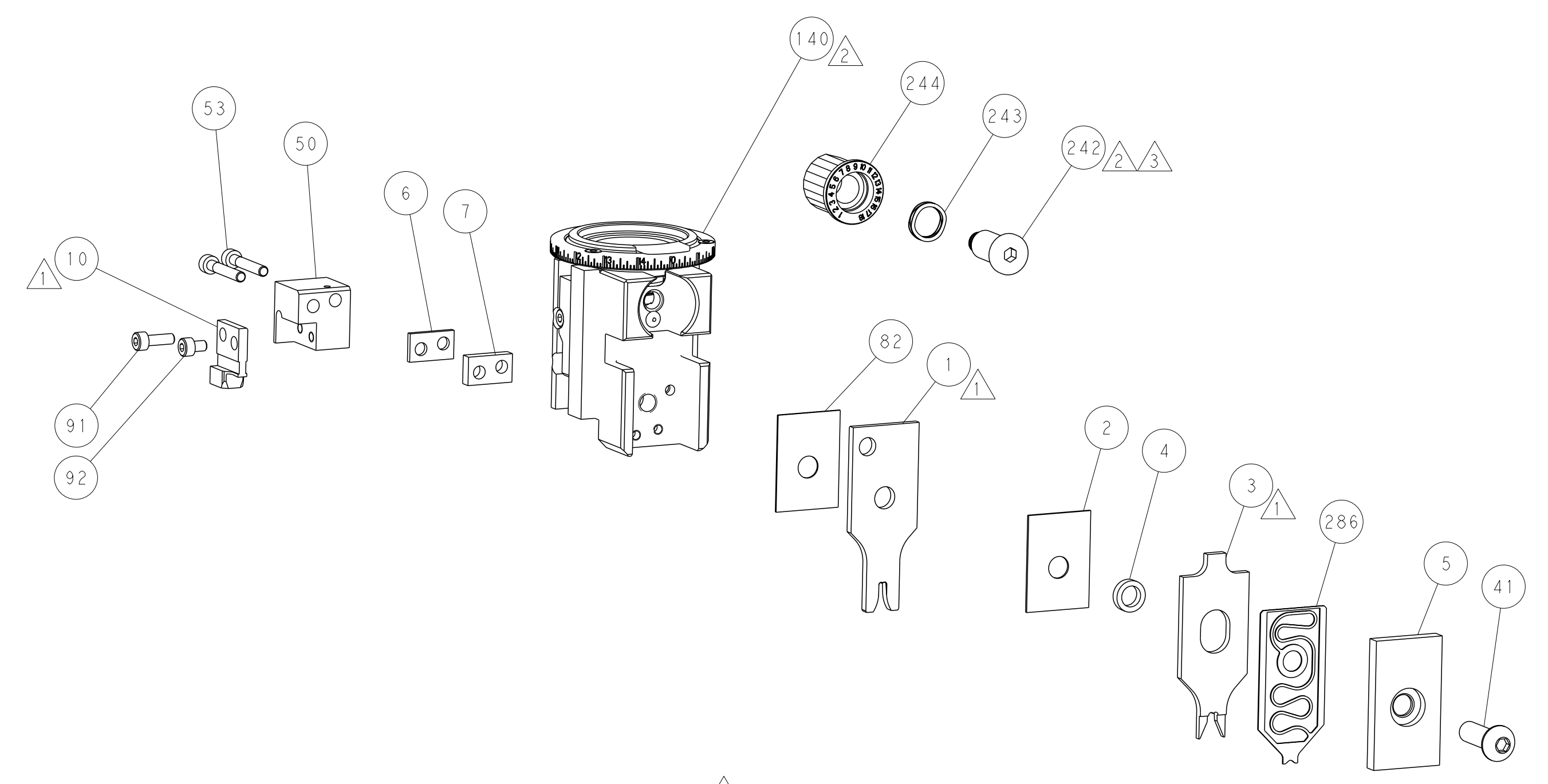
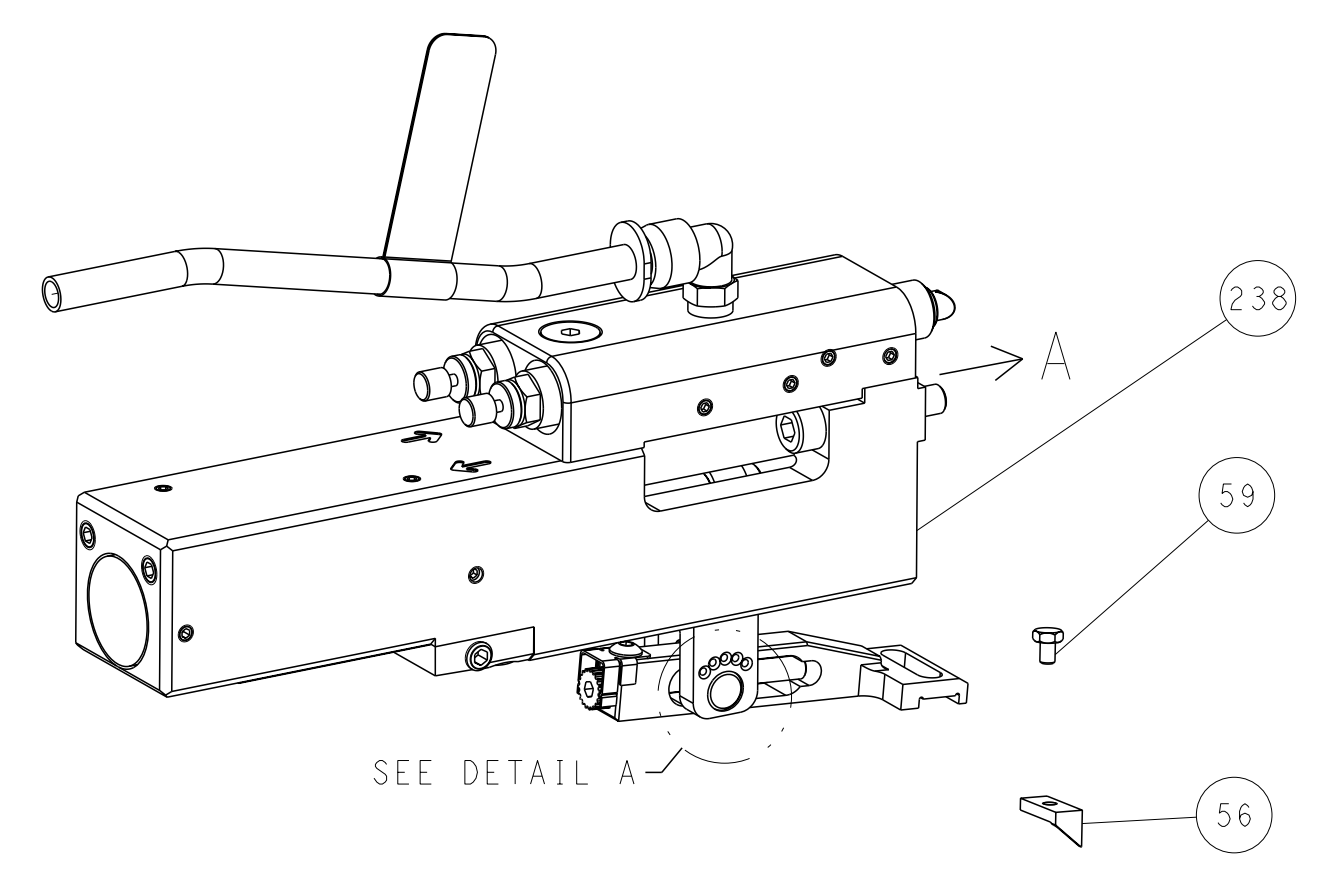
LOC	DIST	REVISIONS					
A	66	P	LYR	DESCRIPTION	DATE	OWN	APVD
		-		SEE SHEET 1			

-	1	2119791-6	DEPRESSOR, WIRE	286	
-	1	2119082-4	CAM, SNAIL, INSULATION ADJUSTMENT	244	
-	1	2079764-1	WASHER, WAVE SPRING, CREST-TO-CREST	243	
-	1	2119083-1	RETAINER, INSULATION DIAL	242	
-	1	2844940-1	AIR FEED MODULE	238	
-	REF	994970-2	COUNTER, MAGNETIC	164	
-	1	2119641-2	FEED CAM, AIR FEED	151	
-	1	2168083-8	SCR, SKT HD CAP, RoHS, M4 X 16	144	
-	2	2168400-5	SHCS, LOW HEAD, RoHS, M4 X 20	143	
-	1	3-1803583-6	APPLICATOR BASIC ASSEMBLY, SF	141	
-	1	1803516-1	RAM ASSEMBLY, SF PACIFIC	140	
-	1	1-22281-8	SPRING, COMPRESSION	121	
-	1	2119955-1	ASSY, LUBRICATOR, SIDE FEED	113	
-	1	2844908-1	SCREW, LOCKING	99	
-	1	2844907-1	POST, LOCKING	98	
-	1	1803647-2	SPECIAL, REAR STRIP GUIDE	96	
-	2	1-2168083-3	SCR, SKT HD CAP, RoHS, M3 X 16	95	
-	1	2168083-6	SCR, SKT HD CAP, RoHS, M5 X 65	93	
-	1	2168083-5	SCR, SKT HD CAP, RoHS, M4 X 6.0	92	
-	1	2168083-3	SCR, SKT HD CAP, RoHS, M4 X 12.0	91	
-	1	455888-5	SPACER, CRIMPER	82	
-	1	1803607-3	DOCUMENTATION PACKAGE	71	
-	1	2119740-1	TAG, IDENTIFICATION	67	
-	2	2168078-1	SCREW, DRIVE, RH, RoHS, 2 x .188	66	
-	2	2-18032-5	SCR, SET, FLT PNT, M5 X 20.0	61	
-	1	5-18022-5	SCR, HEX HD CAP, M4 X 6.0	59	
-	1	1338683-1	FEED PAWL	56	
-	2	1-2168083-2	SCR, SKT HD CAP, RoHS, M4 X 25	53	
-	1	2119830-3	HOLDER, SLUG BLADE	50	
-	1	18023-9	SCR, SKT HD CAP M4 X 6.0	49	
-	1	1803602-1	SCR, BHSC, RoHS (M8 X 25)	41	
-	2	2168083-1	SCR, SKT HD CAP, RoHS, M3 X 8.0	33	
-	1	2-2305692-6	PLATE, REAR STRIP GUIDE	29	
-	2	2-22281-1	SPRING, COMPRESSION	27	
-	1	356835-1	LEVER, DRAG RELEASE	26	
-	1	240792-2	DRAG, TERMINAL	25	
-	1	4-189124-1	GUIDE, FRONT STRIP	24	
-	1	980371-4	SCR, SKT HD SHLDR 5.0 DIA X 6.0	23	
-	1	2168083-2	SCR, SKT HD CAP, RoHS, M4 X 8.0	21	
-	1	1-18028-2	WASHER, FLAT, REG M4	20	
-	1	2119533-1	STRIPPER, SIDE FEED	19	
-	1	1725849-5	BLADE, SLUG	10	
-	1	1803939-1	SHEAR, LOWER	9	
-	1	4-1803763-0	ANVIL, COMBINATION	8	
-	1	1-240641-0	SPACER	7	
-	1	1-240641-3	SPACER	6	
-	1	1803203-1	BLOCK, FRONT DEPRESSOR	5	
-	1	238011-2	BLOCK, CRIMPER SPACER	4	
-	1	9-1803017-8	CRIMPER, INSULATION F	3	
-	1	455888-7	SPACER, CRIMPER	2	
-	1	2-456409-6	CRIMPER, WIRE .120 "F" PREMIUM	1	
-	77	-22	PART NO	DESCRIPTION	ITEM NO

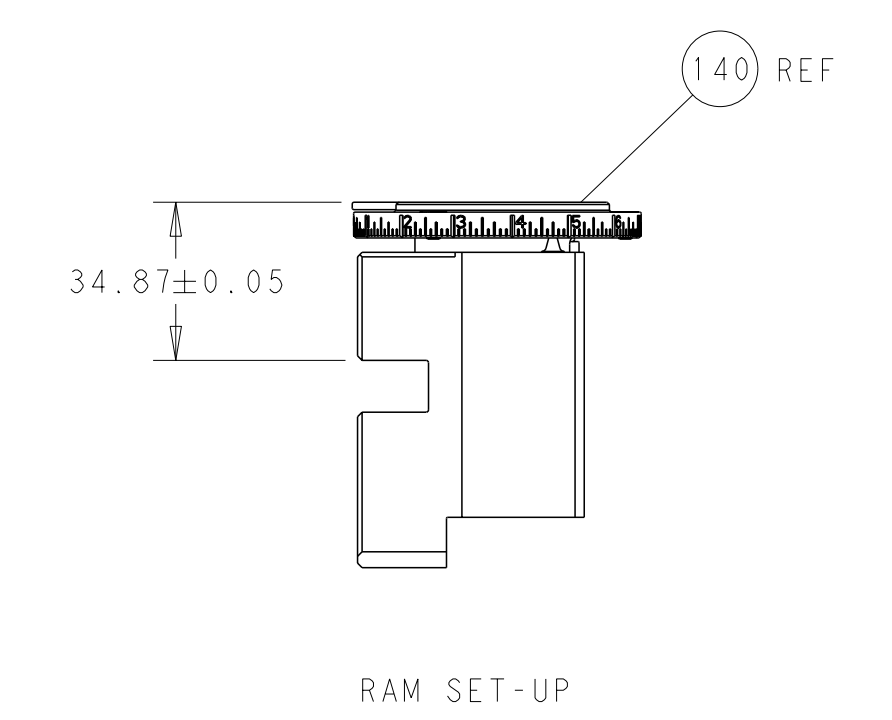
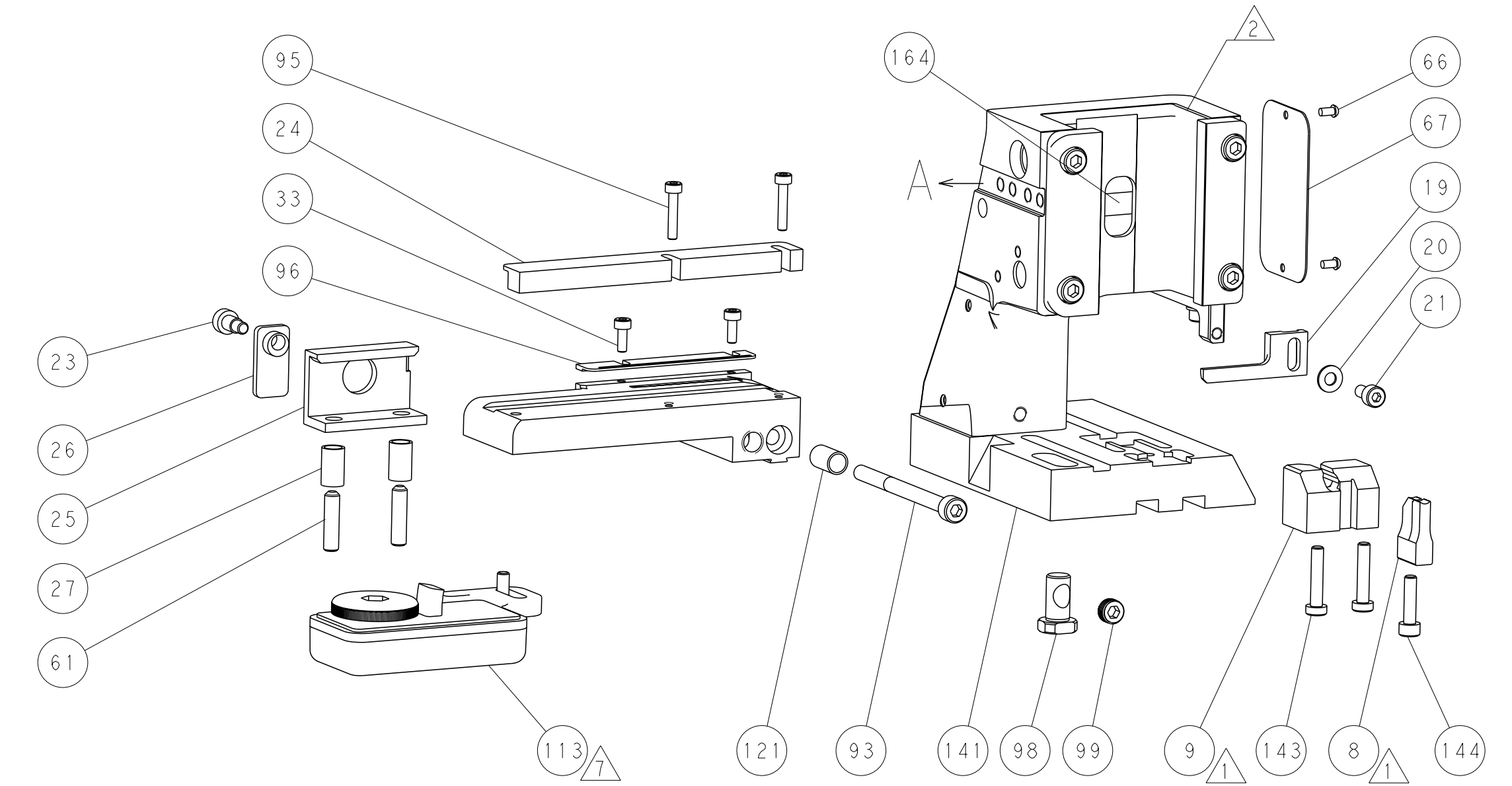
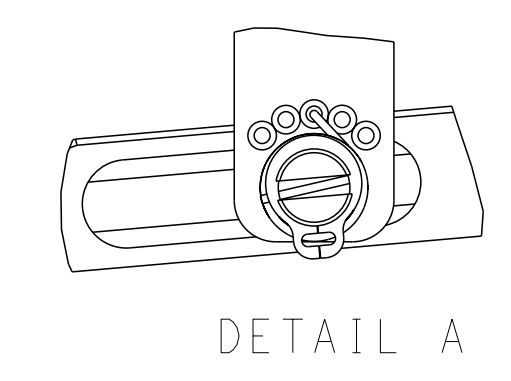
<small>THIS DRAWING IS UNPUBLISHED. IT IS SUBJECT TO CHANGE AND THE CUSTOMER'S RESPONSIBILITY TO VERIFY DIMENSIONS AND TOLERANCES. DIMENSIONS SHOULD BE CONTACTED FOR THE LATEST REVISION.</small>		OWN: M. HERR 16DEC2020 CHK: T. ELBIN 16DEC2020 APVD: B. BAIR 16DEC2020	TE Connectivity Harrisburg, PA 17105-3608
DIMENSIONS: mm 0 PLC ± 1 PLC ± 2 PLC ± 3 PLC ± 4 PLC ± ANGLES FINISH ±		TOLERANCES UNLESS OTHERWISE SPECIFIED: ± ± ± ± ±	NAME: OCEAN 2.0 Side Feed Applicator SIZE: A1 CASE CODE: 00779 DRAWING NO: 2837924 RESTRICTED TO: A
MATERIAL:		APPLICATION SPEC:	WEIGHT:
AMP 4805 REV 31MAR2000		Customer Accessible Production Drawing	SCALE: 1:2 SHEET 3 OF 4 REV A

LOC	DIST	REVISIONS					
		P	LYR	DESCRIPTION	DATE	OWN	APVD
A	66	-	-	SEE SHEET 1	-	-	-

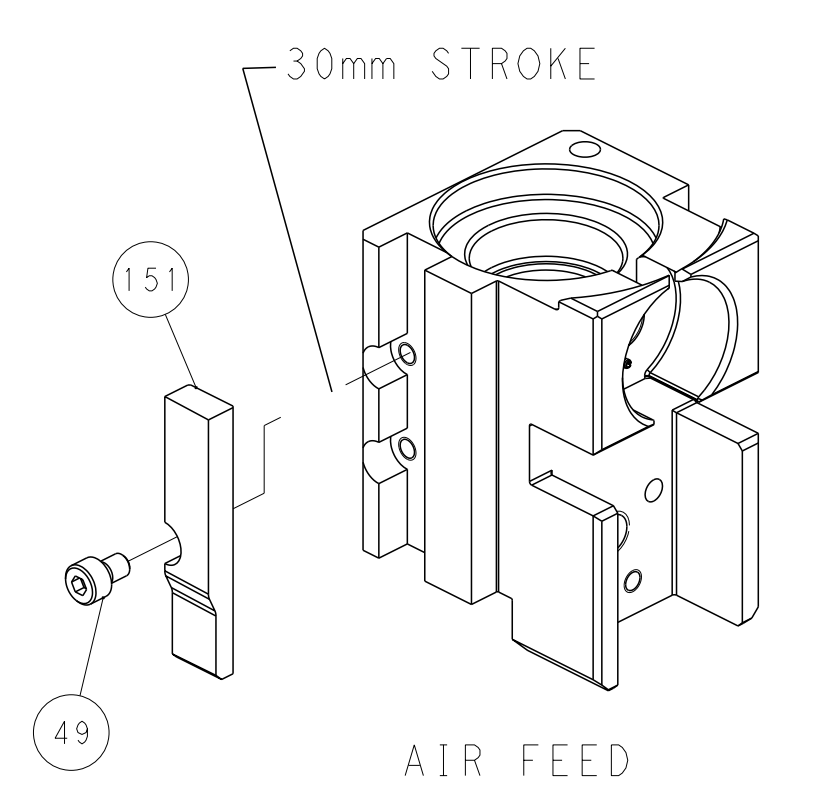
### FEED TYPE PNEUMATIC



### FEED SPRING SETTING POSITION (SHOWN FROM REAR SIDE)



### CAM POSITION



**PACIFIC VERSION**  
 Shown on sheets 3 of 4 & 4 of 4  
 (Atlantic version shown on sheets 1 of 4 & 2 of 4)

<small>THIS DRAWING IS A CONTROLLED DOCUMENT FOR TYCO ELECTRONICS CORPORATION. IT IS SUBJECT TO CHANGE AND THE CONTROLLING ENGINEERING ORGANIZATION SHOULD BE CONTACTED FOR THE LATEST REVISION.</small>		OWN: M. HERR 16DEC2020 CHK: T. ELBIN 16DEC2020 APVD: B. BAIR 16DEC2020	<b>STE</b> TE Connectivity Harrisburg, PA 17105-3608
DIMENSIONS: mm TOLERANCES UNLESS OTHERWISE SPECIFIED: 0 PLC ± 1 PLC ± 2 PLC ± 3 PLC ± 4 PLC ± ANGLES FINISH *		NAME: OCEAN 2.0 Side Feed Applicator SIZE: A CAGE CODE: 00779 DRAWING NO: C=2837924	RESTRICTED TO: - SCALE: 1:2 SHEET: 4 of 4 REV: A
MATERIAL: - FINISH: -		WEIGHT: - Customer Accessible Production Drawing	SHEETS 1 & 2 ARE NOT REQUIRED FOR PACIFIC VERSION