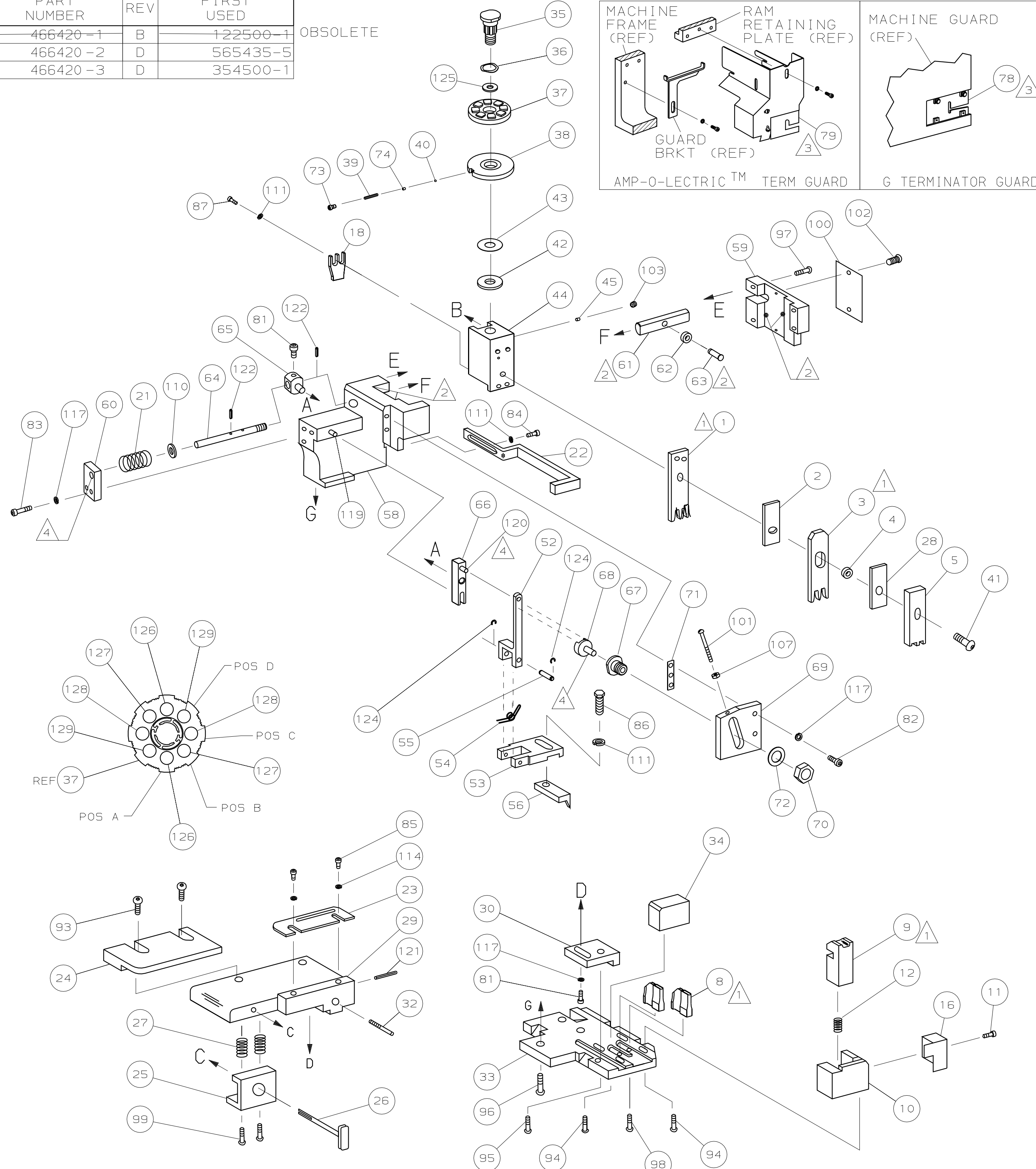
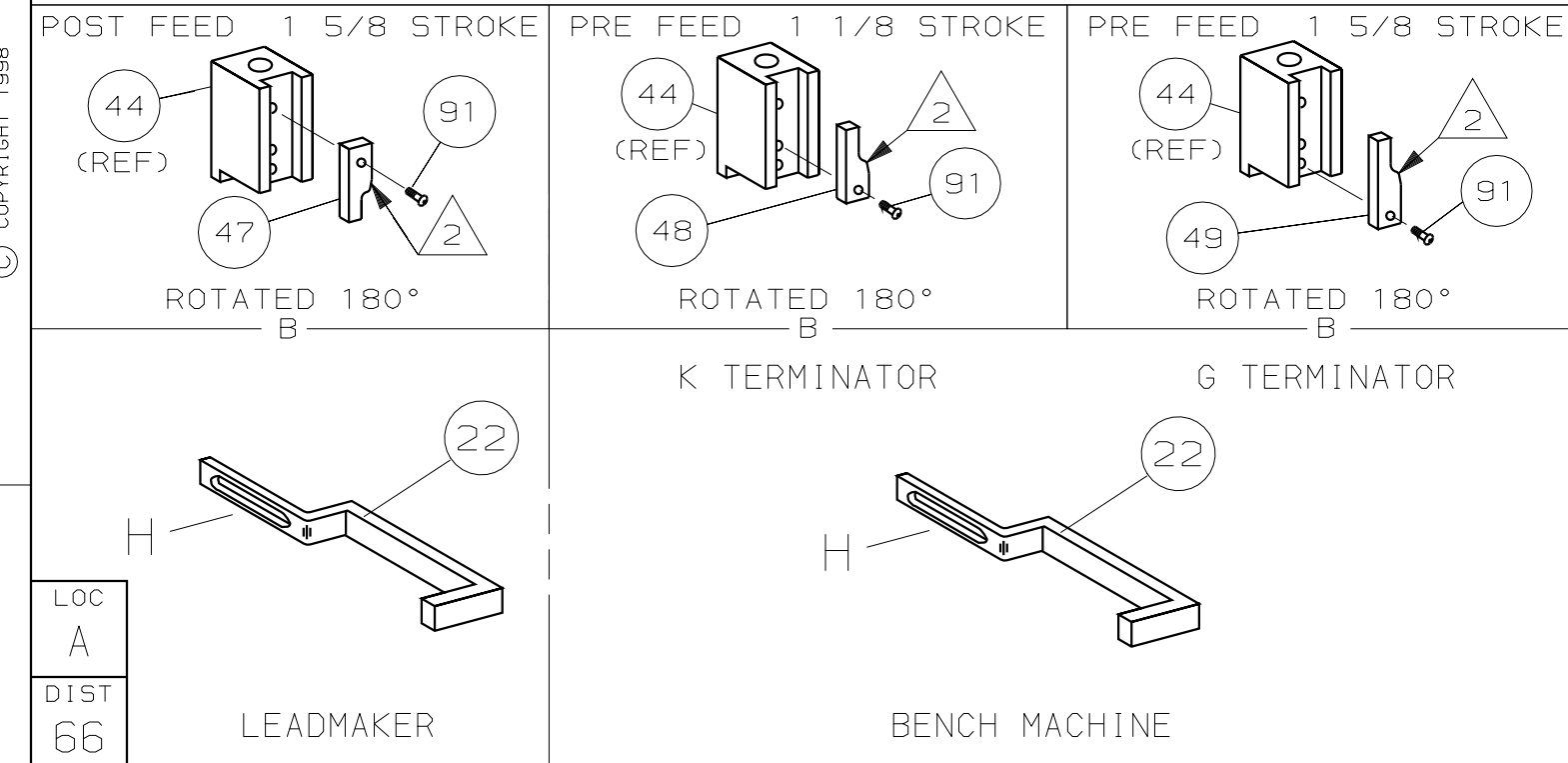


PART NUMBER	REV	FIRST USED
466420-1	B	122500-1
466420-2	D	565435-5
466420-3	D	354500-1

OBSOLETE



- 1 RECOMMENDED SPARE PARTS.
- 2 GREASE LIGHTLY.
- 3 GUARD MUST BE IN PLACE WHEN OPERATING APPLICATOR IN A BENCH MACHINE.
- 4 LUBRICATE DAILY USING NO. 20 MACHINE OIL.



TERMINAL NAME: .093 COMMERCIAL PIN & SOCKET					
CRIMPING DATA					
PIN	SOCKET	PAD LTR	CRIMP HEIGHT	WIRE SIZE	
350418	350417	A	.045 ± .002 [1.14 ± 0.05mm]	18	
		B	.039 ± .002 [0.99 ± 0.05mm]	20	
		C	.037 ± .002 [0.94 ± 0.05mm]	22	
		D	.035 ± .002 [0.89 ± 0.05mm]	24	
WIRE	INSUL	CRIMP	SIZE	TYPE	RANGE
			.070 [1.78mm]	F	24-18
			.120 [3.05mm]	F	.110 MAX

WIRE STRIP LENGTH	TERM APPL SPEC	FEED	APPL INSTRUCTION	SET UP GAGE	LAYOUT
-	114-49000	.980	408-8040	458637-1	L837

QTY	REQD	PER	ASSY	PART NO	DESCRIPTION	ITEM NO	
2	2	2	-	C	6-354779-2	PIN, WIRE DISC (.3300)D	129
2	2	2	-	C	5-354779-8	PIN, WIRE DISC (.3280)C	128
2	2	2	-	C	5-354779-4	PIN, WIRE DISC (.3260)B	127
2	2	2	-	C	4-354779-2	PIN, WIRE DISC (.3200)A	126
1	1	1	-	A	986950-1	WASHER, FLAT PRECISION	125
2	2	2	-	A	21045-3	RING, RET "C" (ø.187) FD FING PIN	124
							123
2	2	2	-	A	5-21028-1	PIN, SLT SPR (ø.125x.50) ADJ ROD	122
1	1	1	-	A	4-21028-0	PIN, SLT SPR (ø.093x.75) ST GDE PL	121
1	1	1	-	A	1-21030-1	PIN, DOWEL (ø.187x.50) LEVER	120
1	1	1	-	A	1-21030-6	PIN, DOWEL (ø.187x1.25) HOUSING	119
							118
1	5	5	-	A	21024-5	WASHER, LOCK (#10) ADJ BLOCK	117
							116
							115
2	2	2	-	A	21024-2	WASHER, LOCK (#4) FRONT STP GUIDE	114
							113
							112
4	4	4	-	A	21024-4	WASHER, LOCK (#8) STRIPPER	111
1	1	1	-	A	21899-4	WASHER, FLAT (ø5/16) SCREW ADJ	110
							109
							108
1	1	1	-	A	21018-5	NUT, HEX (6-32) FEED ADJ	107
							106
							105
1	1	1	-	A	21009-2	SCR, SKT SET (1/4-20x.25 LW) RAM	104
2	2	2	-	A	21017-2	SCR, DRIVE (#2x.19) ID PLATE	103
1	1	1	-	A	6-23715-5	SCR, PAN HD (6-32x1.50) FEED ADJ	101
1	1	1	-	B	461264-1	PLATE, IDENTIFICATION	100
2	2	2	-	A	3-21002-0	SCR, BHC (10-32x.88) DRAG	99
1	1	1	-	A	22733-8	SCR, BHC (8-32x.38 LW) ANVIL	98
2	2	2	-	A	2-21002-9	SCR, BHC (10-32x.75) CAP	97
3	3	3	-	A	2-22733-8	SCR, BHC (1/4-20x.62) HOUSING	96
1	1	1	-	A	2-21002-7	SCR, BHC (10-32x.50) SG ADJ BLOCK	95
4	4	4	-	A	2-21002-2	SCR, BHC (8-32x.50) TERM H DWN	94
2	2	2	-	A	1-21002-5	SCR, BHC, (4-40x.50)	93
							92
1	1	1	-	A	1-21002-7	SCR, BHC (6-32x.38) CAM	91
							90
							89
							88
2	2	2	-	A	2-21000-9	SCR, SHC (8-32x.75) DEP-HOLD	87
1	1	1	-	A	2-22603-0	SCR, HEX HD (8-32x.31) FEED FINGER	86
2	2	2	-	A	1-21000-3	SCR, SHC (4-40x.25) F ST GUIDE	85
1	1	1	-	A	2-21000-7	SCR, SHC (8-32x.50) STRIPPER	84
2	2	2	-	A	3-21000-7	SCR, SHC (10-32x.75) FEED ROD GD	83
2	2	2	-	A	3-21000-6	SCR, SHC (10-32x.62) FEED ADJ BLK	82
2	2	2	-	A	3-21000-4	SCR, SHC (10-32x.38) SG ADJ BL	81
							80
							79
-	1	-	-	B	455755-2	GUARD ASSY	78
1	-	-	-	B	679532-1	INSERT, GUARD	77
							76
							75
1	1	1	-	A	690603-1	SPRING, ASSIST	74
1	1	1	-	A	23030-1	SCR, SHC (6-32x.25 SL) INS DISC	73
1	1	1	-	A	458109-1	WASHER, SPECIAL	72
1	1	1	-	A	690517-1	SPACER	71
							70
							69
							68
							67
							66
							65
							64
							63
							62
							61
							60
							59
							58
							57
							56
							55
							54
							53
							52
							51
							50
							49
							48
							47
							46
							45
							44
							43
							42
							41
							40
							39
							38
							37
							36
							35
							34
							33
							32
							31
							30
							29
							28
							27
							26
							25
							24
							23
							22
							21
							20
							19
							18
							17
							16
							15
							14
							13
							12
							11
							10
							9
							8
							7
							6
							5
							4
							3
							2
							1

QTY	REQD	PER	ASSY	PART NO	DESCRIPTION	ITEM NO	
-	1	-	-	B	690602-6	CAM, PRE-FEED 1 5/8 ST	49
-	1	-	-	B	690602-5	CAM, PRE-FEED 1 1/8 ST	48
-	-	-	-	B	690501-4	CAM, POST-FEED 1 5/8 ST	47
							46
1	1	1	-	A	690191-1	PLUG, NYLON	45
1	1	1	-	C	455673-1	RAM	44
1	1	1	-	A	690125-1	WASHER, LAMINATED	43
1	1	1	-	A	690124-1	WASHER, RAM	42
1	1	1	-	A	7-21002-9	BOLT, CRIMPER (5/16x1.00)	41
1	1	1	-	A	23241-6	BALL, STEEL	40
1	1	1	-	A	690170-1	SPRING, COMPRESSION	39
1	1	1	-	C	690142-1	DISC, INSULATION	38
1	1	1	-	D	354777-1	WIRE DISC, PLASTIC	37
1	1	1	-	A	22480-5	WASHER, SPRING	36
1	1	1	-	B	690212-1	POST, RAM	35
1	1	1	-	B	460770-1	SUPPORT, TERMINAL	34
1	1	1	-	D	462504-1	PLATE, BASE	33
1	1	1	-	A	690432-3	SCREW, ADJUSTMENT	32
							31
1	1	1	-	B	455689-1	BLOCK, STRIP GUIDE ADJ	30
1	1	1	-	C	1-455671-5	PLATE, STRIP GUIDE	29
1	1	1	-	C	1-455888-1	SPACER, FRONT SHEAR DEP	28
2	2	2	-	A	1-22284-0	SPRING, DRAG	27
1	1	1	-	B	690546-1	LEVER, DRAG RELEASE	26
1	1	1	-	B	240792-5	DRAG, TERMINAL	25
1	1	1	-	D	690504-8	GUIDE, STRIP (REAR)	24
1	1	1	-	A	690438-1	GUIDE, STRIP (FRONT)	23
1	1	1	-	B	456468-5	STRIPPER	22
1	1	1	-	A	4-22284-9	SPRING, FEED RETURN	21
							20
							19
1	1	1	-	B	460801-1	HOLDER, TERMINAL	18
							17
1	1	1	-	B	318563-1	GUARD, CHIP (FRONT)	16
							15
							14
							13
1	1	1	-	A	5-22280-0	SPRING, SHEAR	12
1	1	1	-	B	690461-9	STOP, SHEAR	11
1	1	1	-	C	686859-3	HOLDER, SHEAR (FRONT)	10
1	1	1	-	C	462502-1	SHEAR, FLOAT (FRONT)	9
2	2	2	-	C	8-690471-8	ANVIL	8
							7
							6
1	1	1	-	C	462501-1	DEPRESSOR, SHEAR (FRONT)	5
1	1	1	-	B	238011-6	SPACER, BLOCK CRIMPER	4
1	1	1	-	C	458210-4	CRIMPER, INSULATION	3
1	1	1	-	C	455888-6	SPACER, CRIMPER	2
1	1	1	-	C	458209-6	CRIMPER, WIRE	1

THIS DRAWING IS UNPUBLISHED. FEB 11, 1998. RELEASED FOR PUBLICATION BY AMP. INCORPORATED. ALL INTERNATIONAL RIGHTS RESERVED.