

THIS DRAWING IS UNPUBLISHED

RELEASED FOR PUBLICATION

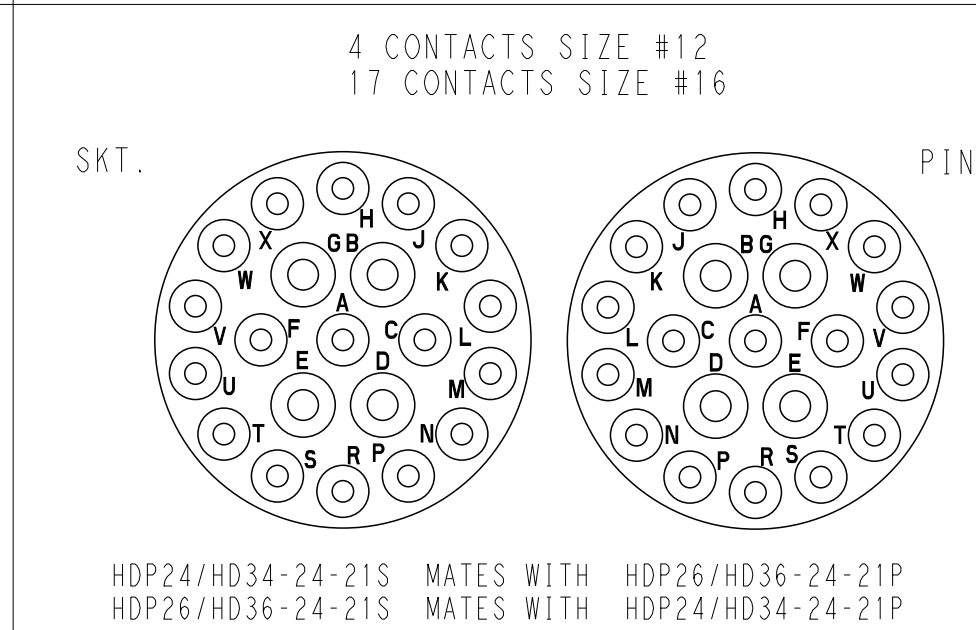
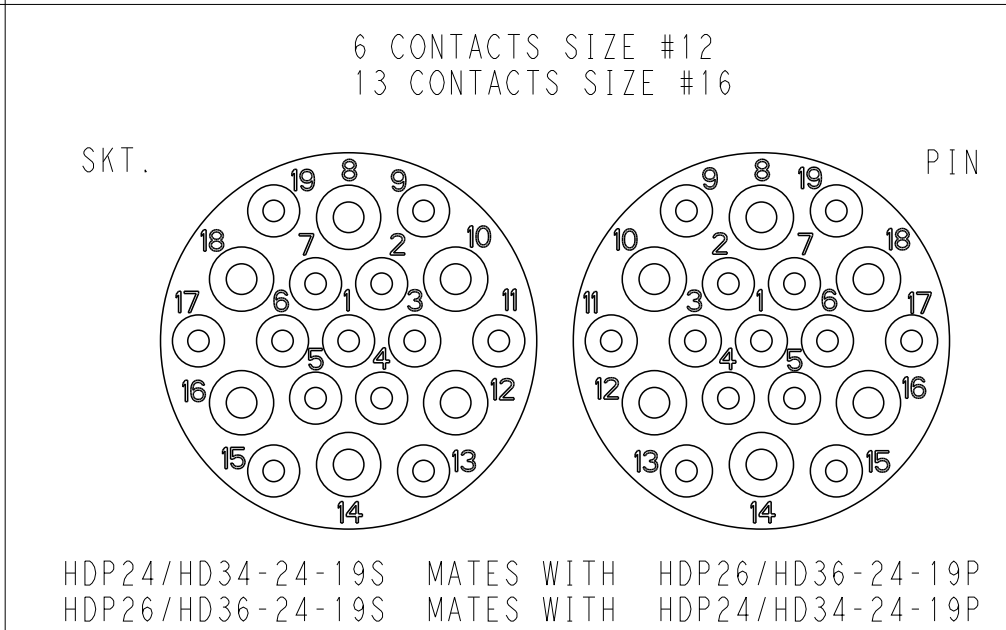
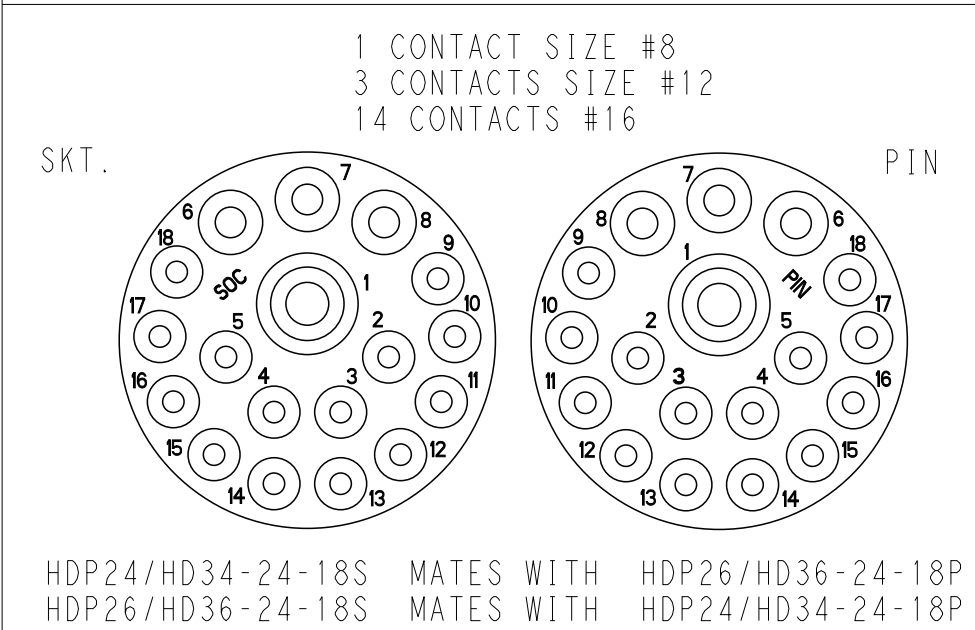
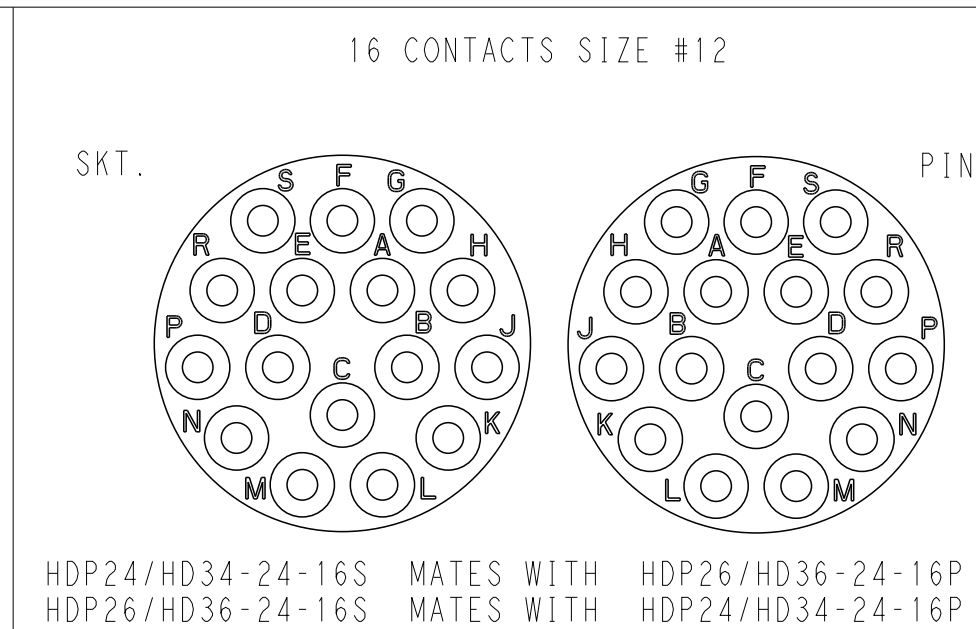
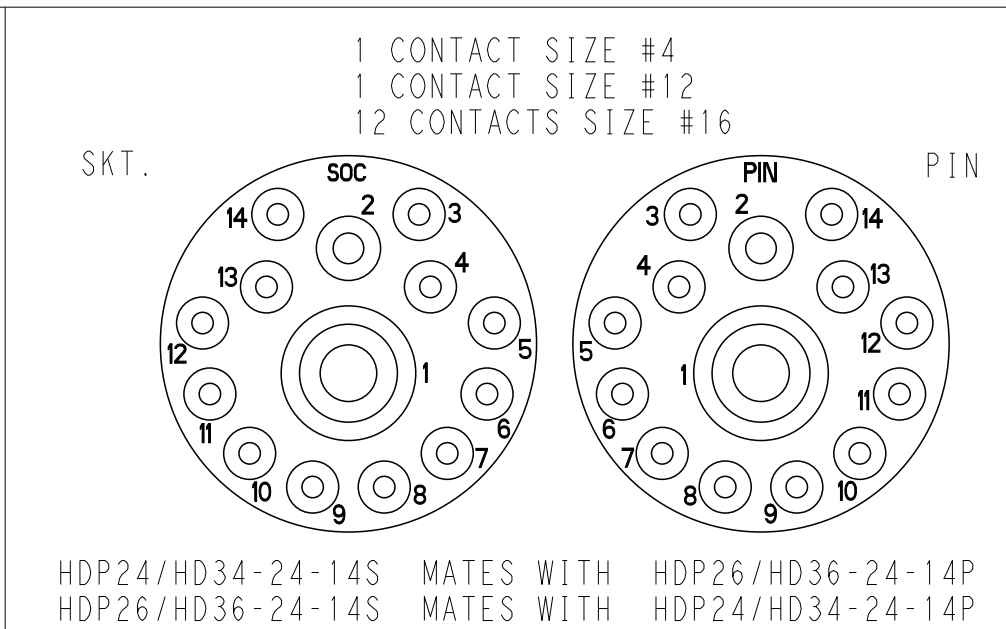
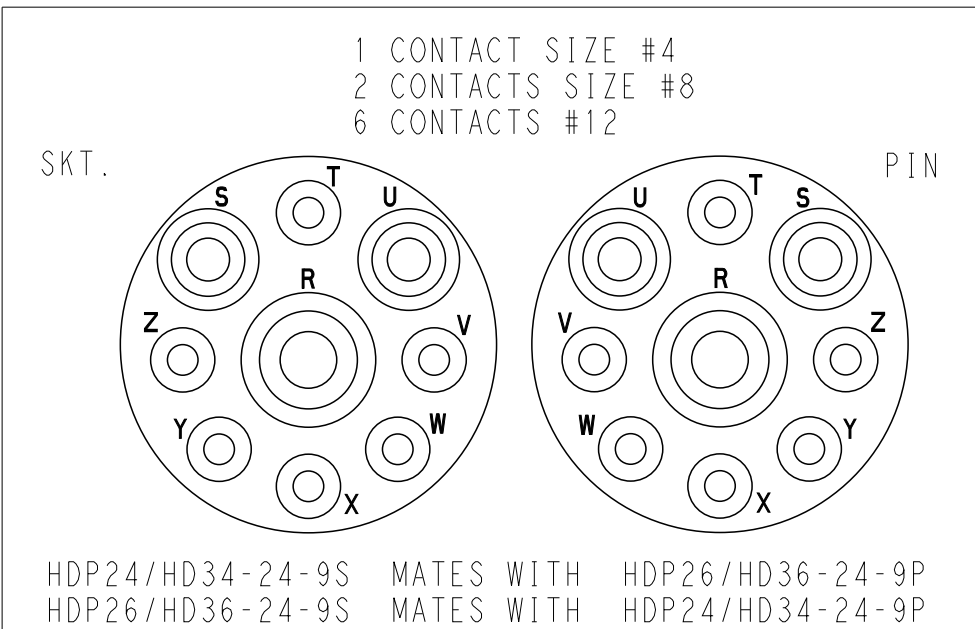
2017

© COPYRIGHT 1995 BY TE CONNECTIVITY

ALL RIGHTS RESERVED.

REVISIONS

| P | LTR | DESCRIPTION             | DATE      | DWN | APVD |
|---|-----|-------------------------|-----------|-----|------|
|   | G   | INITIAL RELEASE         | 10APR2018 | JA  | DM   |
|   | H   | REVISED PER E-20-007062 | 15MAY2020 | EC  | IG   |
|   |     |                         |           |     |      |
|   |     |                         |           |     |      |



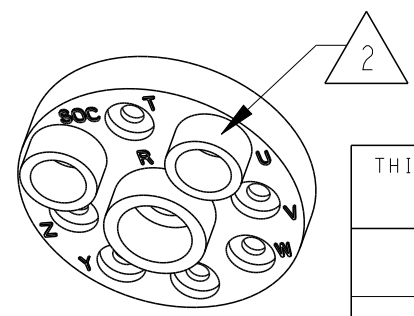
4. PIN ID MARKINGS MUST BE VISIBLE FROM 6 INCHES AWAY IN NORMAL LIGHTING CONDITIONS.

3. '//' INDICATES EITHER, OR PART NUMBER.

2 SEALS WITH CAVITY SIZE #4 AND #8 ARE EXTENDED.

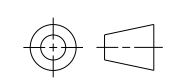
1. ALL VIEWS SHOW REAR END (GROMMET) OF CONNECTOR.

NOTES:



THIS DRAWING IS A CONTROLLED DOCUMENT.

DIMENSIONS:  
IN [mm]



MATERIAL

TOLERANCES UNLESS OTHERWISE SPECIFIED:

|        |   |
|--------|---|
| 0 PLC  | ± |
| 1 PLC  | ± |
| 2 PLC  | ± |
| 3 PLC  | ± |
| 4 PLC  | ± |
| ANGLES | ± |
| FINISH |   |

DWN V. TOMSA 20NOV1995

CHK S. THEIS 04FEB1999

APVD R. REED 05FEB1999

PRODUCT SPEC

APPLICATION SPEC

WEIGHT

STANDARD SPECIFICATION



ARRANGEMENT OF CONTACT LOCATION FOR HDP20 AND HD30 SERIES CONNECTORS SHELL SIZE 24

SIZE A3 CAGE CODE 4AFU8 DRAWING NO. C-0425-014-2400 RESTRICTED TO -

SCALE 1:1 SHEET 1 OF 3 REV H

4

3

2

1

THIS DRAWING IS UNPUBLISHED

RELEASED FOR PUBLICATION

2017

© COPYRIGHT 1995 BY TE CONNECTIVITY

ALL RIGHTS RESERVED.

REVISIONS

| P | LTR | DESCRIPTION | DATE | DWN | APVD |
|---|-----|-------------|------|-----|------|
|   | -   | SEE SHEET 1 | -    | -   | -    |
|   |     |             |      |     |      |
|   |     |             |      |     |      |

23 CONTACTS SIZE #16

SKT.

PIN

HDP24/HD34-24-23S MATES WITH HDP26/HD36-24-23P  
HDP26/HD36-24-23S MATES WITH HDP24/HD34-24-23P

4 CONTACTS SIZE #12  
19 CONTACTS SIZE #16  
6 CONTACTS SIZE #20

THIS ARRANGEMENT IS FOR 'E' SEAL ONLY

SKT.

PIN

HDP24/HD34-24-29S MATES WITH HDP26/HD36-24-29P  
HDP26/HD36-24-29S MATES WITH HDP24/HD34-24-29P

31 CONTACTS SIZE #16  
THIS ARRANGEMENT IS FOR 'E' & 'T' SEAL ONLY

SKT.

PIN

HDP24/HD34-24-31S MATES WITH HDP26/HD36-24-31P  
HDP26/HD36-24-31S MATES WITH HDP24/HD34-24-31P

33 CONTACTS SIZE #20

SKT.

PIN

HDP24/HD34-24-33S MATES WITH HDP26/HD36-24-33P  
HDP26/HD36-24-33S MATES WITH HDP24/HD34-24-33P

3 CONTACTS SIZE #16  
32 CONTACTS SIZE #20

SKT.

PIN

HDP24/HD34-24-35S MATES WITH HDP26/HD36-24-35P  
HDP26/HD36-24-35S MATES WITH HDP24/HD34-24-35P

5 CONTACT SIZE #16  
42 CONTACTS SIZE #20  
THIS ARRANGEMENT IS FOR 'E' SEAL ONLY

SKT.

PIN

HDP24/HD34-24-47S MATES WITH HDP26/HD36-24-47P  
HDP26/HD36-24-47S MATES WITH HDP24/HD34-24-47P

THIS DRAWING IS A CONTROLLED DOCUMENT.

DWN V. TOMSA 20NOV1995

CHK S. THEIS 04FEB1999

APVD R. REED 05FEB1999

PRODUCT SPEC

APPLICATION SPEC

WEIGHT

STANDARD SPECIFICATION

TE Connectivity

NAME ARRANGEMENT OF CONTACT LOCATION FOR  
HDP20 AND HD30 SERIES CONNECTORS  
SHELL SIZE 24

SIZE A3 CAGE CODE 4AFU8 DRAWING NO. C-0425-014-2400 RESTRICTED TO -

SCALE 1:1 SHEET 2 OF 3 REV H

DIMENSIONS:

IN [mm]

TOLERANCES UNLESS OTHERWISE SPECIFIED:

0 PLC ±  
1 PLC ±  
2 PLC ±  
3 PLC ±  
4 PLC ±  
ANGLES ±

MATERIAL

FINISH

1470-19 (3/13)

4

3

2

1

THIS DRAWING IS UNPUBLISHED.

RELEASED FOR PUBLICATION

2017

© COPYRIGHT 1995

BY TE CONNECTIVITY

ALL RIGHTS RESERVED.

REVISIONS

| P | LTR | DESCRIPTION | DATE | DWN | APVD |
|---|-----|-------------|------|-----|------|
|   | -   | SEE SHEET 1 | -    | -   | -    |
|   |     |             |      |     |      |
|   |     |             |      |     |      |
|   |     |             |      |     |      |

2 CONTACT SIZE #8  
2 CONTACT SIZE #12  
5 CONTACTS SIZE #16

SKT. PIN

HDP24/HD34-24-91S MATES WITH HDP26/HD36-24-91P  
HDP26/HD36-24-91S MATES WITH HDP24/HD34-24-91P

3 CONTACT SIZE #4  
4 CONTACT SIZE #16

SKT. PIN

HDP24-24-7S MATES WITH HDP26-24-7P  
HDP26-24-7S MATES WITH HDP24-24-7P

THIS DRAWING IS A CONTROLLED DOCUMENT.

DWN V. TOMSA 20NOV1995

CHK S. THEIS 04FEB1999

APVD R. REED 05FEB1999

PRODUCT SPEC

APPLICATION SPEC

WEIGHT

STANDARD SPECIFICATION

TE Connectivity

NAME  
ARRANGEMENT OF CONTACT LOCATION FOR  
HDP20 AND HD30 SERIES CONNECTORS  
SHELL SIZE 24

| SIZE | CAGE CODE | DRAWING NO    | RESTRICTED TO |
|------|-----------|---------------|---------------|
| A3   | 4AFU8     | 0425-014-2400 | -             |

|       |     |       |        |     |   |
|-------|-----|-------|--------|-----|---|
| SCALE | 1:1 | SHEET | 3 OF 3 | REV | H |
|-------|-----|-------|--------|-----|---|

DIMENSIONS:  
IN [mm]

TOLERANCES UNLESS  
OTHERWISE SPECIFIED:

|        |   |
|--------|---|
| 0 PLC  | ± |
| 1 PLC  | ± |
| 2 PLC  | ± |
| 3 PLC  | ± |
| 4 PLC  | ± |
| ANGLES | ± |

FINISH

1470-19 (3/13)