



Product Specification

USB Type-C Connector

1 Scope:

1.1 Contents

This specification covers the requirements for product performance, test methods and quality assurance provisions of TE Connectivity USB type C connector.

Applicable product description and part numbers are as shown in Appendix 1.

2. Applicable Documents:

The following documents form a part of this specification to the extent specified herein. In the event of conflict between the requirements of this specification and the product drawing, the product drawing shall take precedence. In the event of conflict between the requirements of this specification and the referenced documents, this specification shall take precedence.

2.1 TE Connectivity Specification:

- A. 109-5000: Test Specification, General Requirements for Test Methods
- B. 501-115170: Qualification Test Report

2.2 Commercial Standard and Specification:

- A. ANSI/EIA 364-C
- B. Universal Serial Bus Type-C Connector and Cables Assemblies Compliance Document.

3. Requirements:

3.1 Design and Construction:

Product shall be of the design, construction and physical dimensions specified on the applicable product drawing.

3.2 Materials:

- A. Contact (Plug & Receptacle)
Material: Copper alloy
- B. Housing (Plug & Receptacle)
Thermo Plastic, UL 94 V-0
- C. Shell (Plug & Receptacle)
Material: Stainless steel

3.3 Ratings:

- A. Voltage Rating: 30 V Max.
- B. Current Rating:
 - (1). VBUS/GND pins: 1.25A Max
 - (2). VCONN pins: 1.25A Max.
 - (3). Signal pins contact: 0.25A Min.
- C. Temperature Rating: -40°C to 85°C (Including temperature rising)
- D. Storage Temperature: -40°C to 85°C

3.4 Performance Requirements and Test Descriptions:

The product shall be designed to meet the electrical, mechanical and environmental performance requirements specified in Fig.1. All tests shall be performed in the room temperature, unless otherwise specified.

Temperature: 15°C ~ 35°C
Humidity : 25% ~ 85% R.H.
Pressure : 650mmHg ~ 800mmHg



3.5 Test Requirements and Procedures Summary

Table.1

Test Item	Procedures	Requirements
Examination		
Visual examination of product	EIA 364-18. Visual, dimensional and functional meets requirements of product drawing and applicable instructions on customer drawing, and application specification.	Meets requirements of product drawing and no defects.
Electrical		
Low Level Contact Resistance	EIA 364-23 The low-level contact resistance (LLCR) measurement is made across the plug and receptacle mated contacts and does not include any internal paddle cards or substrates of the plug or receptacle. See Figure 1 Measure at 20mV (max) open circuit at 100 mA	40 mΩ (Max) initial for VBUS, GND and all other contacts. Maximum change (delta) of +10 mΩ after environmental stresses.
Dielectric Withstanding Voltage	EIA-364-20, Method B. Applicable to both receptacle and plug. 100VAC (rms) for 1 minute at sea level.	No break down shall occur when voltage is applied between adjacent contacts of unmated and mated connectors
Insulation Resistance	EIA 364-21 Applicable to both receptacle and plug. Apply 500V DC Apply the above specified voltage between adjacent contacts for 2 minutes.	>100 MΩ insulation resistance between adjacent contacts of unmated and mated connectors
Current Rating	EIA 364-70, Method 2. See USB Type C Compliancy Document Appendix C. A current of 5.0 A shall be applied collectively to VBUS pins (i.e., pins A4, A9, B4, and B9) and 1.25 A applied to the VCONN pin (i.e., B5 of the plug connector) with the return path through the corresponding GND pins (i.e., pins A1, A12, B1, and B12). A minimum current of 0.25 A shall also be applied individually to all the other contacts. Allow to stabilize. Note: special T-rise test boards design per the guidelines in Appendix C of the USB Type C Compliancy Document are to be used.	Temperature rise of the outside shell surface of the mated connector pair above the VBUS and GND contacts shall not exceed 30°C above ambient temperature.
Mechanical		
Critical Dimension Inspection ¹	See USB Type C Compliancy Document Appendix B.	Meet all critical dimension requirements defined in Appendix B.
Insertion Force	EIA-364-13 Maximum rate 12.5mm/min	Between 5N and 20N before and after durability.
Extraction Force	EIA-364-13 Maximum rate 12.5mm/min	Within the range of 8 N to 20 N, measured after a preconditioning of five insertion/extraction cycles (i.e., the sixth extraction). After an additional twenty-five insertion/extraction cycles, the extraction force shall be measured again (i.e., the thirty-second extraction) and the extraction force shall be within: a) 33 % of the initial reading, and b) within the range of 8 N to 20 N. The extraction force shall be within the range of 6 N to 20 N after 10,000 insertion/extraction cycles.

¹ Separate Report



Product Specification

108-115153

Table.1(END)		
Durability	EIA 364-09, 10,000 cycles	No evidence of physical damage
Durability (Preconditioning)	EIA 364-09, 50 cycles	No evidence of physical damage
Reseating	Manually unplug/plug the connector. 3 such cycles.	No evidence of physical damage
Environmental		
Temperature Life	EIA-364-17, Method A 105°C, 120hrs	No evidence of physical damages Meet LLCR requirement Insulation > 100MΩ Min.
Temperature Life (Preconditioning)	EIA-364-17, Method A 105°C, 72hrs	No evidence of physical damages Meet LLCR requirement Insulation > 100MΩ Min.
Thermal Shock	EIA-364-32, Method A, Condition I, duration A-4 (-55°-+85°C, 10 cycles)	No evidence of physical damages Meet LLCR requirement Insulation > 100MΩ Min.
Cyclic Temperature and Humidity	EIA-364-31, Method III, w/o optional cold shock and vibration. Exceptions per EIA-364-1000: - Cycle between 25°C/80%RH and 65°C/50%RH. - Ramp 0.5hr, dwell 1hr, dwell starts when conditions are stabilized. - 24 cycles total - Allowable variation ±3°C and ±3%RH	No evidence of physical damages Meet LLCR requirement Insulation > 100MΩ Min.
Vibration	EIA-364-28, Condition VII-D, 15min in each of 3 mutually perpendicular directions. Both mating halves should be fixed rigidly. (Power Spectral Density 0.02g ² /Hz, Overall rms 3.10g)	No evidence of physical damages and no discontinuity longer than 1 microsecond.
Mixed Flowing Gas	EIA-364-65, class IIA, 112hrs unmated, 56hrs mated (168hrs total).	No evidence of physical damages Meet LLCR requirement Insulation > 100MΩ Min.
Thermal Disturbance	Cycle the mated connector pair 10 times between 15°C and 85°C. - ramp > 2°C/min - dwell > 5 mins (ensure contacts reach temperature) - Humidity not controlled	No evidence of physical damages Meet LLCR requirement Insulation > 100MΩ Min.
Other		
Solderability	Category 3 Steam Age RMA Class 1 flux immerse in molten solder at a temperature of +255°C ± 5°C at rate of 25.4 mm ± 6.35 mm per second. Hold in solder for 5 +0/-0.5 seconds. To include solder pins and mounting pads.	Solderable area shall have a minimum of 95% solder coverage.

NOTE: (1) Shall meet visual requirements, show no physical damage, and meet requirements of additional tests as specified in the Product Qualification and Prequalification Test Sequence shown in table 2.



3.6 Product Qualification Test Sequence

Table.2

Test	A-1	A-2	A-3	A-4	A-7	B-5 ²	B-6	C-1 ³
Critical Dimensions						1		
Low Level Contact Resistance	1,4,6	1,4,6,8	1,4,6	1,4,6,8	2,7			
Durability					5			
Durability (Preconditioning)	2	2	2	2				
Insertion Force					3			
Extraction Force					4,6			
Temperature Life	3			3				
Temperature Life (Preconditioning)			3					
Reseating	5	7						
Thermal Shock		3						
Cyclic Temperature and Humidity		5						
Vibration			5					
Mixed Flowing Gas				5				
Thermal Disturbance				7				
Dielectric Withstanding Voltage					1,8			
Insulation Resistance					9			
Current Rating							1	
Solderability								1
Sample Size	5	5	5	5	5	5	5	5

Signal Integrity Testing

The following cable assembly specific test groups are to be reported in a separate test report:

- Test Group B-5: Refer to product drawing.

Test Requirements and Test Sequence as per USB Type C Compliance Document.

² To be reported in Critical Dimension Inspection Report

³ Additional test, not part of USB Type C Compliance Requirements

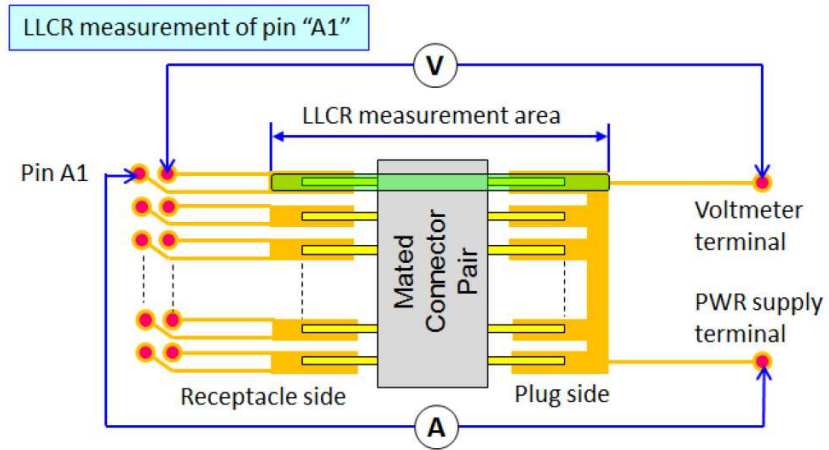


Figure 1: Typical Contact Resistance Measurement

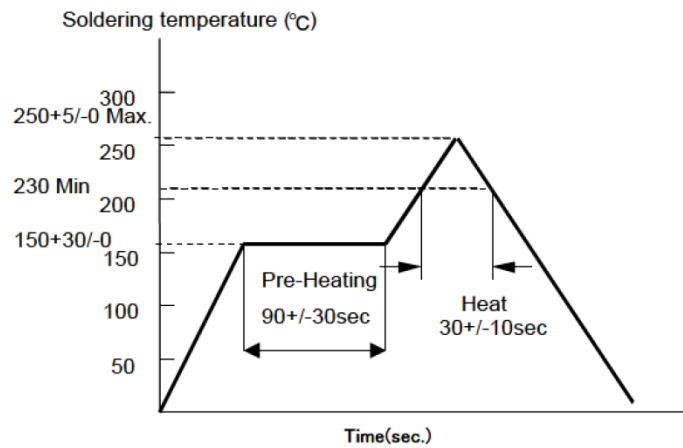


Figure 2. Recommended reflow temp profile



The applicable product descriptions and part numbers are as shown in Appendix.1.

Product Part No.	Description
2345986-*	USB TYPE C 3.1 CONN REC. TOP MOUNT DUAL ROW SMT TYPE WITH 1.63 OFFSET

(Prepared by) Rambo Zhang Date 18-Jan-2019
(Checked by) Richard Ma Date 18-Jan-2019
(Approved by) Simon Li Date 18-Jan-2019

LTR	REVISION RECORD	ECN	DR	CHK	APP	DATE
A	RELEASED		R. Z	R. M	S. L	13-MAY-2019
B	RELEASED		AK	SZ	SZ	09-JUN-2022
C	RELEASED		AK	SZ	SZ	29-JUN-2022