



# ES2000 HEAT-SHRINK TUBING SPECIFICATION

108-120024

**Raychem ES2000 Tubing  
Environmental Sealing,  
Polyolefin, Semi-rigid, Adhesive-Lined**

**ES2000 is a dual wall tubing designed for environmental sealing and electrical insulation of wire splices, terminations and components.**

**Flame-retardant and mechanically tough jacket provides strain relief and abrasion protection. Thick adhesive liner forms an effective barrier against fluids and moisture.**

**UL recognized.**

**RoHS and REACH compliant.**

**Continuous operating temperature: -40 to 130°C (-40 to 266°F).**

THIS IS A CLASS 1 DOCUMENT WHICH IS NONCONFIDENTIAL.

*The information contained within this document is the property of TE Connectivity. It is supplied in confidence and the commercial security of the contents must be maintained. It must not be used for any purpose other than that for which it is supplied nor may any information contained in it be disclosed to unauthorized persons. It must not be reproduced in whole or in part without obtaining written permission from TE Connectivity (TE).*

While TE has made every reasonable effort to ensure the accuracy of the information in this catalog, TE does not guarantee that it is error-free, nor does TE make any other representation, warranty or guarantee that the information is accurate, correct, reliable or current. TE reserves the right to make any adjustments to the information contained herein at any time without notice. TE expressly disclaims all implied warranties regarding the information contained herein, including, but not limited to, any implied warranties of merchantability or fitness for a particular purpose. The dimensions in this catalog are for reference purposes only and are subject to change without notice. Specifications are subject to change without notice. Consult TE for the latest dimensions and design specifications.

\*Trademark. TE Connectivity, TE connectivity (logo), and TE (logo) are trademarks. Other logos, product and/or company names may be trademarks of their respective owners.

# RT-1112, ES2000 HEAT-SHRINK TUBING



## Table of Contents

|            |                                                       |   |
|------------|-------------------------------------------------------|---|
| 1.         | SCOPE .....                                           | 4 |
| 2.         | APPLICABLE DOCUMENTS .....                            | 4 |
| 2.1.       | AMERICAN SOCIETY FOR TESTING AND MATERIAL (ASTM)..... | 4 |
| 2.2.       | SOCIETY OF AUTOMOTIVE ENGINEERS (SAE) .....           | 4 |
| 3.         | REQUIREMENTS.....                                     | 4 |
| 3.1.       | DIMENSIONS .....                                      | 4 |
| 3.2.       | MATERIALS.....                                        | 4 |
| 3.3.       | COLOR .....                                           | 5 |
| 3.4.       | PROPERTIES .....                                      | 5 |
| 4.         | QUALITY ASSURANCE PROVISIONS .....                    | 5 |
| 4.1.       | CLASSIFICATION OF TESTS .....                         | 5 |
| 4.1.1.     | Qualification Tests.....                              | 5 |
| 4.1.2.     | Acceptance Tests.....                                 | 5 |
| 4.2.       | SAMPLING INSTRUCTIONS .....                           | 5 |
| 4.2.1.     | Qualification Test Samples .....                      | 5 |
| 4.2.2.     | Acceptance Test Samples .....                         | 5 |
| 4.3.       | TEST PROCEDURES.....                                  | 6 |
| 4.3.1.     | Material Properties .....                             | 6 |
| 4.3.1.1.   | Dimensions and Longitudinal Change .....              | 6 |
| 4.3.1.2.   | Tensile Strength and Ultimate Elongation.....         | 6 |
| 4.3.1.3.   | Dynamic Cut-Through .....                             | 6 |
| 4.3.1.4.   | Flammability .....                                    | 7 |
| 4.3.2.     | Splice Performance Properties .....                   | 7 |
| 4.3.2.1.   | Specimen Preparation.....                             | 7 |
| 4.3.2.1.1. | ES2000-No.1.....                                      | 7 |
| 4.3.2.1.2. | ES2000-No.3.....                                      | 7 |
| 4.3.2.2.   | Current Leakage .....                                 | 8 |
| 4.3.2.3.   | Flex Test .....                                       | 8 |
| 4.3.2.4.   | Thermal Shock .....                                   | 8 |
| 4.3.2.5.   | Low Temperature Flexibility .....                     | 9 |
| 4.3.2.5.1. | SXL Wire .....                                        | 8 |
| 4.3.2.5.2. | GPT Wire .....                                        | 9 |
| 4.3.2.6.   | Heat Aging .....                                      | 9 |
| 4.3.2.7.   | Fluid Immersion.....                                  | 9 |

# RT-1112, ES2000 HEAT-SHRINK TUBING



|      |                                |    |
|------|--------------------------------|----|
| 4.4. | REJECTION AND RETEST .....     | 10 |
| 5.   | PREPARATION FOR DELIVERY ..... | 10 |
| 5.1. | FORM.....                      | 10 |
| 5.2. | PACKAGING.....                 | 10 |
| 5.3. | MARKING .....                  | 10 |
|      | Appendix.....                  | 11 |

# RT-1112, ES2000 HEAT-SHRINK TUBING



## 1. SCOPE

This specification covers the requirements for a dual wall, electrically insulating, extruded tubing, whose diameter will reduce to a predetermined size upon application of heat in excess of 135°C (275°F).

## 2. APPLICABLE DOCUMENTS

This specification takes precedence over documents referenced herein. Unless otherwise specified, the latest issue of the referenced documents applies. The following documents form a part of this specification to the extent specified herein.

### 2.1. AMERICAN SOCIETY FOR TESTING AND MATERIAL (ASTM)

|            |                                                                       |
|------------|-----------------------------------------------------------------------|
| ASTM D471  | Oil, IRM 903                                                          |
| ASTM D471  | Fuel C                                                                |
| ASTM D975  | Diesel Fuel No. 2                                                     |
| ASTM D2671 | Standard Methods of Testing Heat-Shrinkable Tubing for Electrical Use |
| ASTM D3032 | Method of Testing Hook up Wire Insulation                             |
| ASTM D3306 | Engine Coolant, Type III                                              |

(Copies of ASTM publications may be obtained from the American Society for Testing and Materials, 1916 Race Street, Philadelphia, Pennsylvania 19103).

### 2.2. SOCIETY OF AUTOMOTIVE ENGINEERS (SAE)

|           |                                     |
|-----------|-------------------------------------|
| SAE J1128 | Low Tension Primary Cable, Standard |
| SAE J1703 | Brake Fluid                         |

(Copies of SAE publications may be obtained from the Society of Automotive Engineers, Inc., 400 Commonwealth Drive, Warrendale, Pennsylvania 15096).

## 3. REQUIREMENTS

### 3.1. DIMENSIONS

The dimensions shall be in accordance with ES2000 SCD.

### 3.2. MATERIALS

The tubing shall consist of two components.

- The jacket shall be fabricated from a thermally stabilized, modified semirigid polyolefin and shall be crosslinked by irradiation.
- The liner shall be a thermoplastic adhesive which melts and flows at the shrink temperature of the jacket.

The tubing shall be essentially free from flaws, defects, pinholes, bubbles, seams, cracks and inclusions.

## RT-1112, ES2000 HEAT-SHRINK TUBING



### 3.3. COLOR

Unless otherwise specified, the jacket shall be black, and the adhesive liner shall be amber.

### 3.4. PROPERTIES

The tubing shall meet the requirements of Table 2.

## 4. QUALITY ASSURANCE PROVISIONS

### 4.1. CLASSIFICATION OF TESTS

#### 4.1.1. Qualification Tests

Qualification tests are those performed on tubing submitted for qualification as a satisfactory product and shall consist of all tests listed in this specification.

#### 4.1.2. Acceptance Tests

Acceptance tests are those performed on tubing submitted for acceptance under contract. Acceptance tests shall consist of:

Dimensions

Tensile Strength

Ultimate Elongation

Heat Shock

Longitudinal Change

### 4.2. SAMPLING INSTRUCTIONS

#### 4.2.1. Qualification Test Samples

Qualification test samples shall consist of 15 m (50 feet) of tubing of each size.

Qualification of ES2000-No.1 qualifies ES2000-No.0, ES2000-No.1 and ES2000-No.2

Qualification of ES2000-No.3 qualifies ES2000-No.3, ES2000-No.4 and ES2000-No.11

#### 4.2.2. Acceptance Test Samples

Acceptance test samples shall consist of not less than 5 m (16 feet) of tubing selected at random from each lot. A lot shall consist of all tubing of the same size from the same production run and offered for inspection at the same time.



## 4.3. TEST PROCEDURES

### 4.3.1. Material Properties

Unless otherwise specified, perform tests on specimens which have been recovered by heating for 3 minutes in a  $200 \pm 5^\circ\text{C}$  ( $392 \pm 9^\circ\text{F}$ ) oven. Condition the test specimens (and measurement gauges when applicable) for 3 hours at  $23 \pm 3^\circ\text{C}$  ( $73 \pm 5^\circ\text{F}$ ). For referee purposes, condition the test specimens at  $50 \pm 5$  percent relative humidity for 3 hours prior to testing. Use mechanical convection type ovens in which air passes the specimens at a velocity of 30 to 60 m (100 to 200 feet) per minute.

#### 4.3.1.1. Dimensions and Longitudinal Change

Measure three 150 mm (6 inch) specimens of tubing, as supplied, for length  $\pm 1$  mm ( $\pm 1/32$  inch) and inside diameter in accordance with ASTM D2671. Condition the specimens for 3 minutes in a  $200 \pm 5^\circ\text{C}$  ( $392 \pm 9^\circ\text{F}$ ) oven, cool to  $23 \pm 3^\circ\text{C}$  ( $73 \pm 5^\circ\text{F}$ ), then re-measure. Prior to and after conditioning, the dimensions of the tubing shall be in accordance with ES2000 SCD and the longitudinal change shall be in accordance with Table 2. Calculate the longitudinal change as follows:

$$C = \frac{L_1 - L_0}{L_0} \times 100$$

Where: C = Longitudinal Change [percent]

$L_0$  = Length Before Conditioning [mm (inches)]

$L_1$  = Length After Conditioning [mm (inches)]

#### 4.3.1.2. Tensile Strength and Ultimate Elongation

Perform the tests in accordance with ASTM D2671 using 25 mm (1 inch) bench marks, 25 mm (1 inch) initial jaw separation and jaw separation speed of  $50 \pm 5$  mm ( $2.0 \pm 0.2$  inches) per minute.

Calculate the tensile strength based on the wall thickness of the jacket only.

#### 4.3.1.3. Dynamic Cut-Through

Perform the test in accordance with ASTM D3032. Recover the specimens on a 4.7 mm (0.187 inch) diameter steel rod and cool to room temperature. Use the optional cutting edge with a flat configuration of 0.127 mm (0.005 inch). The speed shall be 5.0 mm (0.2 inches) per minute.

## RT-1112, ES2000 HEAT-SHRINK TUBING



### 4.3.1.4. Flammability

Recover five 500 mm (20 inch) lengths of tubing over mandrels with a diameter  $75 \pm 5$  percent of the specified minimum expanded (as supplied) inside diameter of the tubing.

Using a Bunsen burner with a 100 mm (4 inch) tube, adjust the burner to achieve a flame with an inner blue cone of approximately 50 mm (2 inches).

Suspend each specimen in a draft free environment in the configuration shown in Figure 1. The time of exposure of the test flame to each specimen is one 30 second application.

Record the time for each specimen to self-extinguish after removal of the flame. The result is the average burning time for all five specimens.

### 4.3.2. Splice Performance Properties

#### 4.3.2.1. Specimen Preparation

Where crosslinked polyolefin wire is specified for specimen preparation, use wire conforming to SAE J1128 SXL. Where polyvinyl chloride wire is specified, use wire conforming to SAE J1128 GPT. Test three specimens for each property.

##### 4.3.2.1.1. ES2000-No.1

Construct a 2 wire to 2 wire inline splice in any suitable manner (crimped, soldered or welded). Splice two (2) AWG 20 wires to two (2) AWG 20 wires, using wires approximately 30 cm (12 inches) long. The splice area shall have a length of approximately 12.5 mm (0.5 inch) of exposed conductor. Install a 50 mm (2 inch) length of ES2000-No.1 centrally over the splice in an air circulating oven at  $150 \pm 3^{\circ}\text{C}$  ( $302 \pm 5^{\circ}\text{F}$ ) for 5 minutes, then cool to room temperature.

##### 4.3.2.1.2. ES2000-No.3

Construct a 2 wire to 7 wire inline splice in any suitable manner (crimped, soldered or welded). Splice two (2) AWG 14 wires to seven (7) AWG 20 wires, using wires approximately 30 cm (12 inches) long. The splice area shall have a length of approximately 12.5 mm (0.5 inch) of exposed conductor. Install a 65 mm (2.5 inch) length of ES2000-No.3 centrally over the splice in an air circulating oven at  $150 \pm 3^{\circ}\text{C}$  ( $302 \pm 5^{\circ}\text{F}$ ) for 5 minutes, then cool to room temperature.

## RT-1112, ES2000 HEAT-SHRINK TUBING



### 4.3.2.2. Current Leakage

Test three specimens each with SXL wire and GPT wire.

Immerse the center section of all specimens in a  $23 \pm 3^{\circ}\text{C}$  ( $73 \pm 5^{\circ}\text{F}$ ) water bath containing 5 percent sodium chloride by weight. The ends of the specimens should be a minimum of 50.8 mm (2 inches) above the water line.

Measure the leakage current between the conductors in the specimens and the water bath after 24 hours of immersion. The applied voltage for the measurement shall be 50 volts dc. After environmental exposure (sections 4.3.2.3 through 4.3.2.7) the immersion period shall be 4 hours.

### 4.3.2.3. Flex Test

While at room temperature, wrap 3 specimens made with SXL wire and 3 specimens made with GPT wire around 50.8 mm (2 inch) mandrels, using the following procedure. Attach one end of the specimen to the mandrel and the other end to a weight (see Table 1). Rotate the mandrel sufficiently to cause the splice area to wrap around the mandrel, and the wires on the opposite side of the splice to contact the mandrel. Rotate the mandrel in the opposite direction until the splice is again wrapped around the mandrel. This shall be one cycle. Test each sample for five cycles. Measure the current leakage in accordance with section 4.3.2.2.

### 4.3.2.4. Thermal Shock

Suspend vertically 3 specimens made with SXL wire in a circulating air oven for 30 minutes at  $130 \pm 5^{\circ}\text{C}$  ( $266 \pm 9^{\circ}\text{F}$ ) and 3 specimens made with GPT wire for 30 minutes at  $105 \pm 5^{\circ}\text{C}$  ( $221 \pm 9^{\circ}\text{F}$ ). Remove the specimens from the oven and within 2 minutes immerse them in a 5 percent sodium chloride solution by weight at  $5 \pm 5^{\circ}\text{C}$  ( $41 \pm 9^{\circ}\text{F}$ ). Remove them from the bath within 30 minutes. This shall be one cycle. Test the samples for 5 cycles and measure the current leakage in accordance with section 4.3.2.2.

### 4.3.2.5. Low Temperature Flexibility

#### 4.3.2.5.1. SXL Wire

Condition 3 specimens in a cold chamber for 4 hours at  $-30 \pm 3^{\circ}\text{C}$  ( $-22 \pm 5^{\circ}\text{F}$ ). While at this temperature, wrap the specimens around a 10 cm (4 inch) mandrel. Attach one end of the specimen to the mandrel and the other end to a weight (see Table 1). Rotate the mandrel sufficiently to cause the splice area to wrap around the mandrel, and the wires on the opposite side of the splice to contact the mandrel. Then rotate the mandrel in the opposite direction until the splice is again wrapped around the mandrel. This shall be one



## RT-1112, ES2000 HEAT-SHRINK TUBING



cycle. Test each specimen for five cycles. Upon completion of the fifth cycle, test the specimens for dielectric withstand.

### Dielectric Withstand

Immerse the center section of all specimens in a  $23 \pm 3^{\circ}\text{C}$  ( $73 \pm 5^{\circ}\text{F}$ ) water bath containing 5 percent sodium chloride by weight. The ends of the specimens should be a minimum of 50.8 mm (2 inches) above the water line. The specimens shall remain immersed in the bath for two hours prior to testing. Raise the voltage on the immersed specimens to 1,000 volts ac and hold for 1 minute, then inspect for insulation rupture.

#### 4.3.2.5.2. GPT Wire

Fix one end of each of 3 specimens to a 10 cm (4 inch) diameter mandrel at  $23 \pm 3^{\circ}\text{C}$  ( $73 \pm 5^{\circ}\text{F}$ ). Attach the weight specified in Table 1 to the free end of each specimen, then wrap around the mandrel. Remove the weight, fix the free end of the specimens to the mandrels and place in a  $-30 \pm 3^{\circ}\text{C}$  ( $-22 \pm 5^{\circ}\text{F}$ ) cold chamber for 4 hours. Remove the mandrels with the wrapped specimens from the cold chamber and condition at  $23 \pm 3^{\circ}\text{C}$  ( $73 \pm 5^{\circ}\text{F}$ ) for 4 hours. Remove the specimens from the mandrels and test for dielectric withstand in accordance with section 4.3.2.5.1.

#### 4.3.2.6. Heat Aging

Suspend the specimens vertically for 168 hours in a circulating air oven.

SXL wire     Heat age at  $130 \pm 5^{\circ}\text{C}$  ( $266 \pm 9^{\circ}\text{F}$ )

GPT wire     Heat age at  $105 \pm 5^{\circ}\text{C}$  ( $221 \pm 9^{\circ}\text{F}$ )

Remove the specimens from the oven and within 2 minutes, immerse in a 5 percent sodium chloride solution by weight at room temperature. Measure current leakage in accordance with section 4.3.2.2.

#### 4.3.2.7. Fluid Immersion

- a) Immerse 3 specimens of each wire type for 1 hour at  $100 \pm 3^{\circ}\text{C}$  ( $212 \pm 5^{\circ}\text{F}$ ) in each of the following fluids:

Oil, IRM 903 (ASTM D471)

Automatic Transmission Fluid (Dextron III/Mercon)

Engine Coolant, Type III (ASTM D3306)

## RT-1112, ES2000 HEAT-SHRINK TUBING



- b) Immerse 3 specimens of each wire type for 24 hours at  $23 \pm 3^{\circ}\text{C}$  ( $73 \pm 5^{\circ}\text{F}$ ) in each of the following fluids:

Diesel Fuel, Grade No. 2 (ASTM D975)

Windshield Washer Fluid, PRESTONE

Fuel C, ASTM D471 (SXL wire only)

- c) Immerse 3 specimens of each wire type for 10 seconds in each of the following fluids at intervals of 30 minutes for 16 hours at  $23 \pm 3^{\circ}\text{C}$  ( $73 \pm 5^{\circ}\text{F}$ ) to simulate a splash environment:

Engine Cleaner, GUNK\*

Brake Fluid, SAE J1703

Allow the specimens to drain between immersions.

\*Trademark of the Radiator Specialty Co., Charlotte, NC

Visually inspect all fluid immersion specimens for splice insulation integrity. Calculate the percent swell of the minimum outside dimension of the specimen. Immediately measure current leakage in accordance with section 4.3.2.2.

#### 4.4. REJECTION AND RETEST

Failure of any sample of tubing to conform to any one of the requirements of this specification shall be cause for rejection of the lot represented. Tubing which has been rejected may be replaced or reworked to correct the defect and then resubmitted for acceptance. Before resubmitting, all details concerning previous rejection and action taken to correct the defects shall be furnished to the inspector.

### 5. PREPARATION FOR DELIVERY

#### 5.1. FORM

The tubing shall be supplied in cut pieces, unless otherwise specified.

#### 5.2. PACKAGING

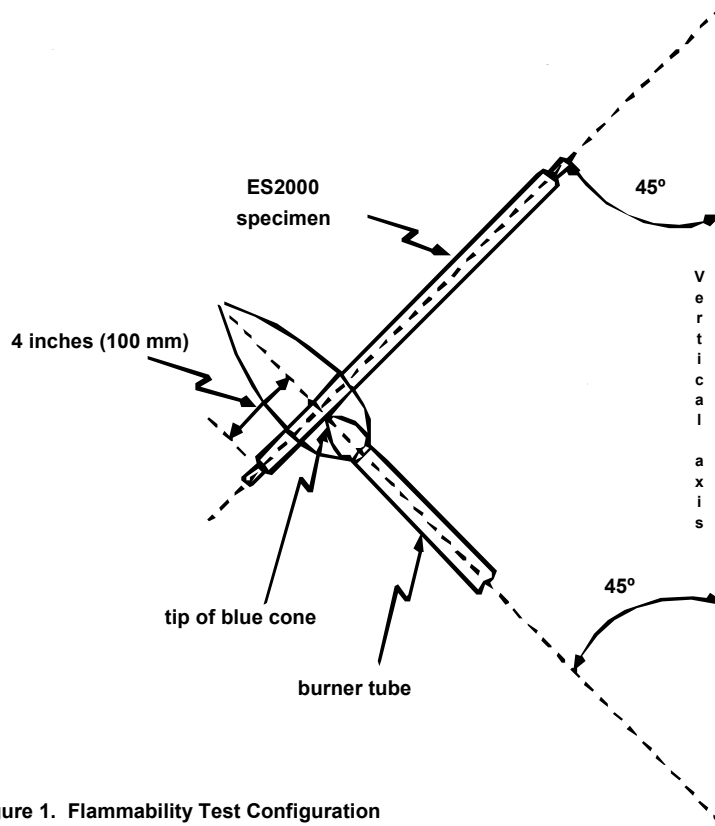
Packaging shall be in accordance with good commercial practice.

#### 5.3. MARKING

Each container of tubing shall be permanently and legibly marked with the size, quantity, manufacturer's identification, part number and lot number.



**APPENDIX**



**Figure 1. Flammability Test Configuration**

**TABLE 1**  
**Weights for Flex Test Procedure**  
**(Section 4.3.2.3)**

| Size  | Weight              |
|-------|---------------------|
| -No.1 | 2.27 kg (5 pounds)  |
| -No.3 | 4.54 kg (10 pounds) |



**TABLE 2**  
**Requirements**

| PROPERTY                                        | UNIT        | REQUIREMENT                                         | TEST METHOD                   |
|-------------------------------------------------|-------------|-----------------------------------------------------|-------------------------------|
| <b>Material Properties</b>                      |             |                                                     |                               |
| Dimensions                                      | mm (inches) | In accordance with ES2000<br>SCD                    | ASTM D2671<br>Section 4.3.1.1 |
| Longitudinal Change                             | percent     | +0, -10                                             |                               |
| Tensile Strength                                | MPa (psi)   | 10.3 (1,500) minimum                                | ASTM D2671                    |
| Ultimate Elongation                             | percent     | 250 minimum                                         | Section 4.3.1.2               |
| 2% Secant Modulus* (expanded)                   | MPa (psi)   | 137 (20,000) minimum                                | ASTM D2671                    |
| Heat Shock<br>4 hours at 225 ± 3°C (437 ± 5°F)  | --          | No dripping, flowing or<br>cracking of outer jacket | ASTM D2671                    |
| Dynamic Cut Through                             | kg (pounds) | 13.6 (30) minimum                                   | ASTM D3032<br>Section 4.3.1.3 |
| Volume Resistivity                              | ohm-cm      | 1.0 x 10 <sup>12</sup> minimum                      | ASTM D2671                    |
| Flammability                                    |             | Self-extinguishing within<br>30 seconds             | Section 4.3.1.4               |
| <b>Splice Performance Properties</b>            |             |                                                     |                               |
| Current Leakage (original sample)               | microamps   | 0.25 maximum                                        | Section 4.3.2.2               |
| Room Temperature Flex Test                      | --          | --                                                  | Section 4.3.2.3               |
| Current Leakage                                 | microamps   | 0.25 maximum                                        | Section 4.3.2.2               |
| Thermal Shock                                   | --          | --                                                  | Section 4.3.2.4               |
| Current Leakage                                 | microamps   | 0.25 maximum                                        | Section 4.3.2.2               |
| Low Temperature Flexibility                     | --          | --                                                  | Section 4.3.2.5               |
| Dielectric Withstand<br>1 minute at 1,000 volts | --          | No breakdown                                        | Section 4.3.2.5.1             |
| Heat Aging                                      | --          | --                                                  | Section 4.3.2.6               |
| Current Leakage                                 | microamps   | 0.25 maximum                                        | Section 4.3.2.2               |
| Fluid Immersion                                 | --          | --                                                  | Section 4.3.2.7               |
| Current Leakage                                 | microamps   | 0.25 maximum                                        | Section 4.3.2.2               |
| Swell                                           | percent     | 50 maximum                                          | Section 4.3.2.7.4             |

\*Calculate based on wall thickness of jacket only.