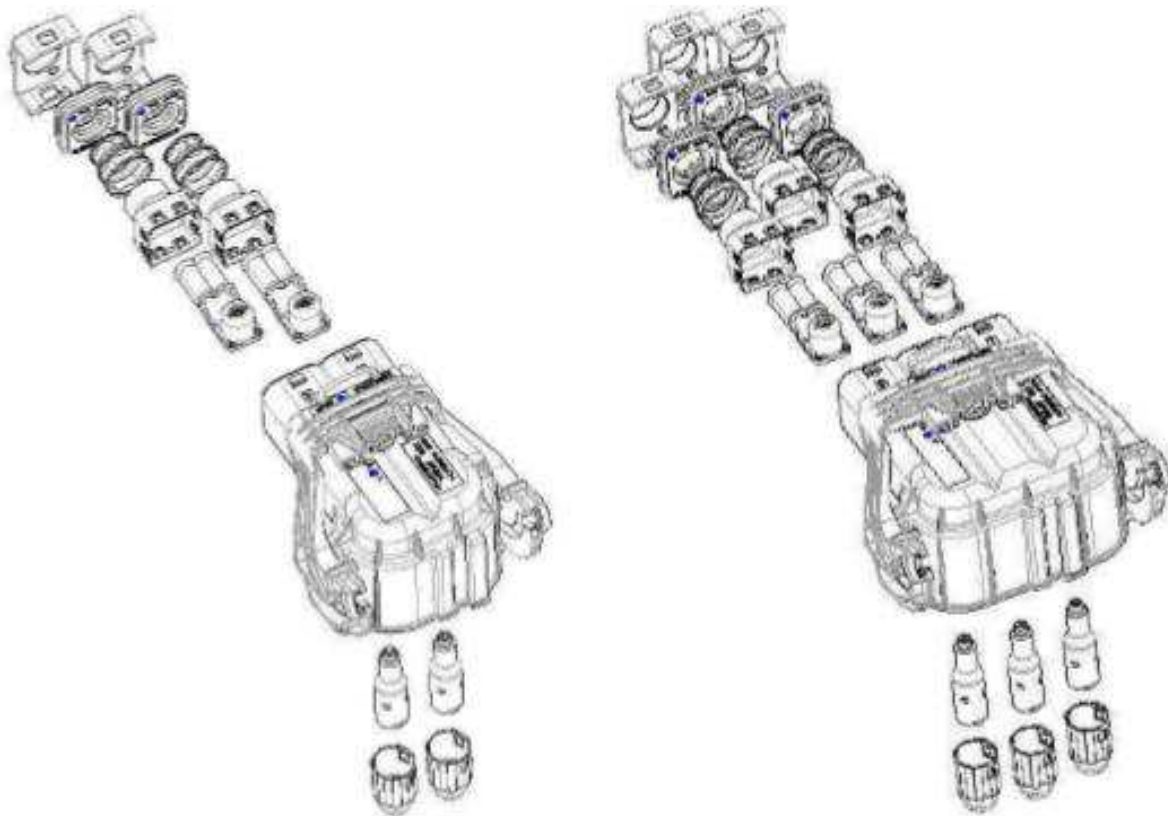




HVP800 2PHI AND 3PHI 90°
 AMP+ High Current Connectors and Headers
SPECIFICATION



				PR: Z.ZHANG DATE: 22APR2019	 TE Connectivity Shanghai, China		
				CHK: E.JIANG DATE: 22APR2019			
A	Initial Released	Z.Z	22APR19	APP: I.YIN DATE: 22APR2019	Document No.: 108-32233	LOC: ES	REV: A
LTR	REVISION RECORD	PR	DATE				



HVP800 2PHI AND 3PHI 90°

TABLE OF CONTENTS

- 1. SCOPE.....4**
 - 1.1 Introducing.....4
 - 1.2 Content.....4
 - 1.3 Qualification.....4
- 2. APPLICABLE DOCUMENTS.....5**
 - 2.1 TE Connectivity Documents.....5
 - 2.1.1 General Requirements.....5
 - 2.1.2 Customer Drawings.....6
 - 2.1.3 Specifications.....8
 - 2.2 Other Documents.....9
- 3. REQUIREMENTS.....10**
 - 3.1 Design and Construction.....10
 - 3.2 Material.....10
 - 3.3 Ratings10
 - 3.4 Performance and Test Description11
 - 3.5 Test Requirements and Procedures Summary12
 - 3.6 Additional Test Procedures and Test Results18
- 4. QUALITY ASSURANCE PROVISIONS.....19**
 - 4.1 Qualification Testing.....19
 - 4.2 Requalification Testing.....19
 - 4.2.1 Acceptance.....19
 - 4.2.2 Quality Conformance Inspection.....19
- 5. APPENDIX.....20**
 - 5.1 Housing influence on derating: 2pos connector.....20
 - 5.2 Housing influence on derating: 3pos connector.....22
 - 5.3 Dynamic load25
 - 5.4 Contact engagement length.....26
 - 5.5 Strain relief.....27



HVP800 2PHI AND 3PHI 90°

LIST OF FIGURES

Figure 1: 2pos, 25mm ² (Coroplast-No. 9-2611) Derating and temperature rise - current at contact.....	20
Figure 2: 2pos, 35mm ² (Coroplast-No. 9-2611) Derating and temperature rise - current at contact.....	21
Figure 3: 2pos, 50mm ² (Coroplast-No. 9-2611) Derating and temperature rise - current at contact.....	21
Figure 4: 3pos, 25mm ² (Coroplast-No. 9-2611) Derating and temperature rise - current at contact.....	22
Figure 5: 3pos, 35mm ² (Coroplast-No. 9-2611) Derating and temperature rise - current at contact.....	23
Figure 6: 3pos, 50mm ² (Coroplast-No. 9-2611) Derating and temperature rise - current at contact.....	24
Figure 7: Vibration device (exemplary view at 2pos. Connector).....	25
Figure 8: Contact engagement length.....	26
Figure 9: Recommended requirement for strain relief.....	27

LIST OF TABLES

Table 1: General Requirements.....	5
Table 2: Customer Drawings.....	6
Table 3: TE-Specifications.....	8
Table 4: References.....	9
Table 5: Product Ratings.....	10
Table 6: Test Requirements and procedures Summary.....	12
Table 7: Additional Test Requirements.....	18



HVP800 2PHI AND 3PHI 90°

1. SCOPE

1.1 Introducing

TE Connectivity's touch-proof 2-3 position high current connector HVP800 and header are designed to meet WG 4.3.3, LV215-1 specifications , for a metric wire size range from 25mm² up to 50mm² acc. to LV216-2.

With a 90° cable outlet incorporates the sealed connector system two or three (2-3pos) 8mm power contacts and an integrated High Voltage Interlock (HVIL) System. The HVP800 connector is available for four different keying or polarizing configurations and incorporates 360° conductive EMI shields to reduce radiated emissions in the application. Assembly is simplified with a lever assist for low insertion force and the housings are molded in orange to denote a high voltage system.

1.2 Content

This specification covers performance, test and quality requirements for the TE Connectivity 2-3 position high current connector HVP800 with 90° Plug and Header assembly. Please note, performance, tests and quality requirements to the contact systems are not part of this specification, but are included by the validation of the connector system.

1.3 Qualification

When tests are performed the following specifications and standards shall be used. All inspections shall be performed using the applicable inspection plan and customer drawing.



HVP800 2PHI AND 3PHI 90°

2. APPLICABLE DOCUMENTS

The following mentioned documents are part of this specification. Unless otherwise specified, the latest edition of the documents applies. In the event of conflict between the requirements of this specification and the information contained in the referenced documents, this specification shall take precedence (exempt from documents to the contact systems).

2.1 TE Connectivity Documents

2.1.1 General Requirements

Table 1: General Requirements

Requirements	Description
TEC-109-1 Rev. J	General Requirements for Test Specifications



HVP800 2PHI AND 3PHI 90°

2.1.2 Customer Drawings

Table 2: Customer Drawings

2pos Receptacle housing	
2310922	2 Pos, 8mm HV, REC HSG 90°, Assy
3pos Receptacle housing	
2325010	3 Pos, 8mm HV, REC HSG 90°, Assy
2pos Pinheader	
2322122	2 Pos. Dia 8mm Pin housing, Assy
3pos Pinheader	
2325013	3 Pos. Dia 8mm Pin housing, Assy



HVP800 2PHI AND 3PHI 90°

Single Components	
2141155 2310488	Cover, Seal
2141156	Single Wire Seal
2141157 2307011	Shield Crimp Ferrule
2141158	Shielding Sleeve
2141159 2303272	Finger Protection Cap
2141211 2328073	Deep drawn socket, 90°, Assy
2141212 2328074	Deep drawn socket, Pin 90°, Assy
Interface drawings	
114-94032	Interface aggregate cut-out for 2/3 pos. HVP 800 90°/180° Pin housing

* Others TE China HVP800 series part number also suitable for this specification.



HVP800 2PHI AND 3PHI 90°

2.1.3 Specifications

Table 3: TE-Specifications

Specifications	Description
108-94256	Product Specification HV 8mm 90° Contact
108-18782	Product Specification MCON-1.2 Contact System
114-32213	Application Specification HVP800 2PHI AND 3PHI 90°
114-94083	Application Specification HV 8mm 90° Contact
114-18464	Application Specification MCON-1.2 Contact System

HVP800 2PHI AND 3PHI 90°

2.2 Other Documents

Table 4: References

Document number	Edition	Standard: Title, Author
DIN EN 60664-1	2008-01	Isolation coordination for equipment within low-voltage systems - Part 1: Principles, requirements and tests
DIN 40050-9	1993-05	Degrees of protection (IP-Code) - Protection of electrical equipment against foreign objects, water and access
ISO 20653	2006-08	Road vehicles – Degrees of protection (IP-Code) - Protection of electrical equipment against foreign objects, water and access
ISO 6469-3	2001-1	Electric road vehicles – Safety specifications. Part 3: Protection of person against electric hazards
ISO 16750	-1: 2006-01 -2: 2010-03 -3: 2007-07 -4: 2010-04 -5: 2010-04	Electric road vehicles – Environmental conditions and testing for electrical and electronic equipment
SAE J 1742	1998-03 (2005-12)	Connections for High Voltage On-Board Road Vehicle, Electrical Wiring Harnesses Test Methods and General Performance Requirements
LV 214-1	2010-03	Test specification for motor vehicle connectors
LV 215-1	2009-02	Electrical/Electronic Requirements of HV Connectors



HVP800 2PHI AND 3PHI 90°

3. REQUIREMENTS

3.1 Design and Construction

The product design, construction and physical dimensions shall correspond to the latest customer drawings.

Please note, prototype parts or pre-serial parts can be differing slightly in dimensioning, form- and position tolerances to the interface drawings.

3.2 Material

Descriptions for material see latest valid customer drawings.

3.3 Ratings

Table 5: Product Ratings

Description	Range
Max working voltage at 5500m above sea level	≤ 650VDC
Voltage class acc. ISO 6469-3	B
Class 1 equipment acc. ISO 6469-3	1
Dielectric withstand voltage acc. ISO 6469-3, SAE J 1742	2700V
Insulation resistance acc. ISO 6469-3, SAE J 1742	> 200MΩ
Isolation Group I acc. DIN EN 60664-1	600 ≤ CTI



HVP800 2PHI AND 3PHI 90°

Pollution degree acc. DIN EN 60664-1	2
Ambient temperature	-40°C to 125°C
Degrees of protection (IP-Code) against access acc. ISO 20653	IPXXB, IPXXD
Degrees of protection (IP-Code) against foreign objects and water acc. ISO 20653	IP6K9K, IP6K7
Color of plastic housing	Orange similar RAL 2003

3.4 Performance and Test Description

The product is designed to meet the electrical, mechanical and environmental performance requirements specified in table 6 and table 7. Unless otherwise specified, all tests shall be performed at ambient environmental conditions according to TE-TEC 109-1.



HVP800 2PHI AND 3PHI 90°

3.5 Test Requirements and Procedures Summary

Not shown test-details see LV 214 / March 2010.

Table 6: Test Requirements and Procedures Summary

Test Description	Requirement	Procedure
PG 0 RECEIVING INSPECTION		
E 0.1 Visual inspection	Basic function proven	LV215-2 DIN EN 60512-1-1
E 0.2 Contact resistance	Contact $\leq 0.36\text{m}\Omega$ (50mm^2); $\leq 0.39\text{m}\Omega$ (35mm^2); $\leq 0.40\text{m}\Omega$ (25mm^2) HVIL-contact $\leq 15\text{m}\Omega$ Shielding cable - Header $< 7\text{m}\Omega$	LV215-2 DIN EN 60512-2-1
E 0.3 Insulation resistance	Insulation resistance at 1kVDC: $> 200\text{M}\Omega$	LV215-2 DIN EN 60512-3-1
PG 4 CONTACT OVERLAPPING		
E 4.1 Contact engagement length	Values see appendix 5.3	Theoretical study
PG 6 INTERACTION BETWEEN CONTACT AND HOUSING		
E 6.1 Deflection of contacts in the housing cavity	No damage during joining	Theoretical study



HVP800 2PHI AND 3PHI 90°

B 6.1 Drop test	Drop test from 1m height; No damages or impairments of function	LV215-2 DIN EN 60068-2-31
PG 7 HANDING AND FUNCTIONAL RELIABILITY OF THE HOUSINGS		
E 7.1 Error-proof design of housings	Coding/Polarization Test load: 80N	LV214 DIN EN 60512-13-5
E 7.2 Retention force of the housing latch/lock	Retention force of the housing latch mechanism / housing interlock: >250N	LV215-2 DIN EN 60512-15-6
E 7.3 Functionality of CPA	Actuation force to close: 5-30N CPA Efficiency: >80N	DIN EN 60512-15-6
E 7.4 Insertion force or actuation force for insertion with removal aids	Insertion and actuation force: ≤ 75N	DIN EN 60512-15-6
PG 8 MATING AND RETENTION FORCE OF CONTACT PARTS		
E 8.1 Contact insertion forces	8mm-Contact: Insertion force Average ≤50N	LV214
E 8.2 Contact removal force from the housing	Primary lock and Secondary lock measured separately Cable assy with 8mm-contact ≥ 180N HVIL-contact ≥ 55N	LV214



HVP800 2PHI AND 3PHI 90°

PG 9 SKEWED INSERTION ANGLE		
E 9.2 Max. possible insertion inclination	Max. possible insertion inclination warrants the contacting without damage	Theoretical study
E 9.3 Examination of housing for scoop-proofing	Live parts must only touch its counterpart while mounting (including insertion chamfers). In case of incorrect insertion of the plug no live parts must be touched	Theoretical study
PG 11 MATING CYCLES		
B 11.1 Mating cycles	Connector with HVIL-Contacts 50 Cycles	LV214
PG 13 HOUSING INFLUENCE ON THE DERATING		
E 13.2 Derating with housing	Dependent on application and cable type different values are possible Max. temperature at contacts 180°C Derating see appendix 5.1	LV215-2 DIN EN 60512-5-1/2
PG 17 DYNAMIC LOAD		



HVP800 2PHI AND 3PHI 90°

<p>B 17.2 Dynamic Load Broad-band random</p>	<p>Severity 2: "Body" sealed; Details see appendix 5.2 Slight wear, surface ok Resistances after testing</p> <ul style="list-style-type: none"> ● Contact $\leq 0.72\text{m}\Omega$ ● HVIL-Contact $\leq 15\text{m}\Omega$ ● Shielding cable – aggregate $< 7\text{m}\Omega$ 	<p>LV214 DIN EN 60068-2-64</p>
<p>B 17.3 Endurance shock test</p>	<p>30g; T=6ms; N=6000 Slight wear, surface ok. Resistances after testing</p> <ul style="list-style-type: none"> ● Contact $\leq 0.72\text{m}\Omega$ ● HVIL-Contact $\leq 15\text{m}\Omega$ ● Shielding cable – aggregate $< 7\text{m}\Omega$ 	<p>LV214 DIN EN 60068-2-27</p>
<p>In the event of particularly critical installation conditions, special agreements shall be made between the manufacturer and the user</p>		
<p>PG 18C DICING SALT LOAD</p>		
<p>B 18.3 Salt spray, cyclic</p>	<p>Resistances after Salt spray test, not sealed</p> <ul style="list-style-type: none"> ● Contact $\leq 0.72\text{m}\Omega$ ● HVIL-Contact $\leq 15\text{m}\Omega$ ● Shielding cable – aggregate $< 7\text{m}\Omega$ 	<p>LV215-2 DIN EN 60068-2-52 (SG3)</p>
<p>PG 20 CLIMATIC LOAD OF HOUSINGS</p>		
<p>B 20.1 Dry heat</p>	<p>Dry heat 120h / 125°C</p>	<p>LV214</p>



HVP800 2PHI AND 3PHI 90°

B 20.2 Damp heat	Damp heat 10 days /40°C / 95% rel. humidity Insulation resistance at 1kVDC: >200MΩ	LV214
B 20.3 Climatic cold	Climatic cold 48h / -40°C Plugging / unmating possible at -20°C	LV214
B 20.1 Dry heat	Dry heat 48h / 80°C	LV214
B 6.1 Drop test after aging	Drop test from 1m height; No damages or impairments of function	LV215-2 DIN EN 60068-2-31
PG 21 LONG-TERM AGING		
B 21.1 Long-term aging in dry heat	1000h at 125°C; Resistances after aging: <ul style="list-style-type: none"> ● Contact ≤0.72mΩ ● HVIL-Contact ≤15mΩ ● Shielding cable – aggregate <7mΩ Functionality; Contact Removal forces acc. E8.2	LV215-2 DIN EN 60068-2-2
PG 22B CHEMICAL RESISTANCE		
B 22.1B Chemical Resistance (water-tight design)	Application of media for 48h at specified temperature; only tested at single parts No textural or dimensional change, no impairments of function Insulation resistance >100MΩ	LV214



HVP800 2PHI AND 3PHI 90°

PG 23 WATER - TIGHTNESS		
B 19.3 Aging in dry heat	120h at 125°C	DIN EN 60068-2-2
B 19.1 Temperature shock	Period: 144 cycles -40°C / +125°C each 15min	DIN EN 60068-2-14
B 23.1 Immersion with pressure difference	Low pressure: -100mbar, holding time 5min. -500mbar, holding time 5min.	LV214 DIN EN 60512-14-5
B 23.2 Immersion with pressure difference	Movement of cable at low pressure: -100mbar, holding time 5min. -500mbar, holding time 5min.	LV214 DIN EN 60512-14-5
B 23.3 Thermal shock test	30min. in 120°C air; 15min in 0°C Water: 5 cycles	LV214
B 23.4 Degree of protection test / pressure washer test	Severity: IP X9K Test duration per side: 15s Distance to nozzle: 10-15cm Pressure: 80 bar Temperature: 80°C	LV214 DIN 40050-9
E 0.3 Insulation resistance	Insulation resistance at 1000VDC: >200MΩ	LV215-2 DIN EN 60512-3-1
PG 28 LOCKING NOISE		
E 28.1 Locking noise	Locking noise ≥70dB(A)	LV214



HVP800 2PHI AND 3PHI 90°

PG 50 EMC - ELECTROMAGNETIC COMPATIBILITY			
PG 50 EMC- Electromagnetic compatibility	Frequency	Delta- Transferimpedance	VG 95214-11 LV 215-1 LV215-2
	2MHz	<10mΩ	
	30MHz	<60mΩ	
PG 51 IP PROTECTION OPEN CONNECTOR			
PG51 Protection open connector	IP-Protection IPXXB, un-mated (VDE test finger ø12mm) IP-Protection IPXXD, mated	ISO 20653	

3.6 Additional Test Procedures and Test Results

Table 7: Additional test requirements

Test Description	Requirement	Procedure
A1 Crimp validation	Pull-out force of isolation crimp: 140N Pull-out force of shield crimp: 280N Cross section examination: crimp sleeves are well formed	TE-Spec. 109-18212
A2 Retention force further connector parts	Protection cover for single wire seal: 500N Compression limiter (header): 50N Finger protection cap (2141159/2303272): 120N Header Shielding sleeve : >100N	DIN IEC 60512-8
A3 Insertion force further connector parts	Insertion force Protection cover for single wire seal: <50N Finger protection cap (2141159/2303272):<50N	DIN IEC 60512-8



HVP800 2PHI AND 3PHI 90°

4. QUALITY ASSURANCE PROVISIONS

4.1 Qualification Testing

The samples shall be prepared in accordance with product drawings. They shall be selected at random from current production.

4.2 Requalification Testing

If changes significantly affecting form, fit, or function depending on the product or manufacturing process, product engineering shall coordinate requalification testing, consisting of all or part of the original testing sequence as determined by development/product, quality, and reliability engineering.

4.2.1 Acceptance

Acceptance is based on verification that the product meets the requirements of chapter 4. Failures attributed to equipment, test setup, or operator deficiencies shall not disqualify the product. When product failure occurs, corrective action shall be taken and samples resubmitted for qualification. Testing to confirm corrective action is required before resubmittal.

4.2.2 Quality Conformance Inspection

The applicable quality inspection plan will specify the sampling acceptable quality level to be used. Dimensional and functional requirements shall be in accordance with the applicable product drawing and this specification.

HVP800 2PHI AND 3PHI 90°

5. APPENDIX

5.1 Housing influence on derating: 2pos connector

Derating inside housing: Current at contact with load at shield

80% Characteristic curve of measured value, cable length according to DIN EN 60512-5-2

Test setup

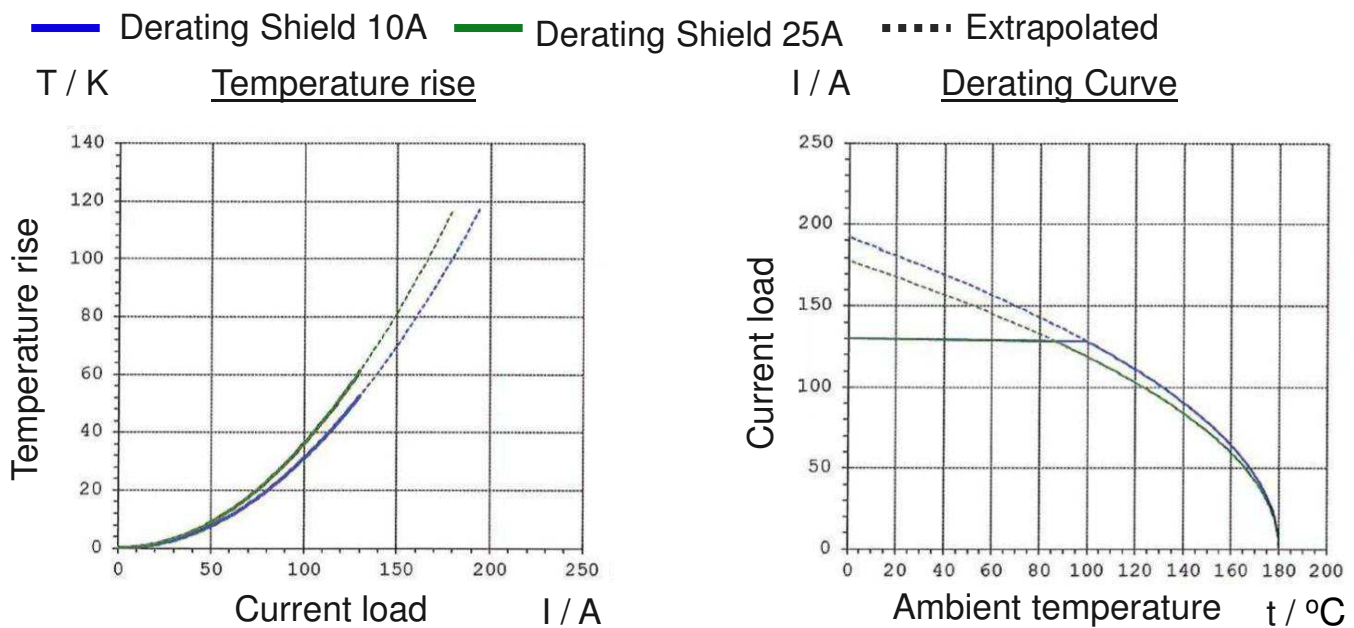
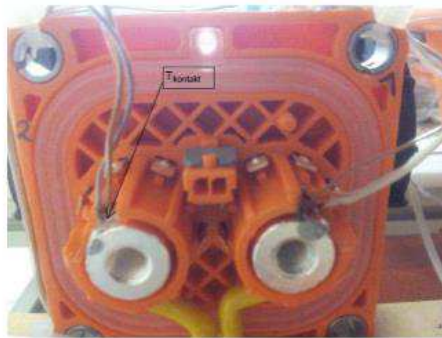


Figure 1: 2pos, 25 mm² (Coroplast-No. 9-2611) Derating and temperature rise – current at contact

HVP800 2PHI AND 3PHI 90°

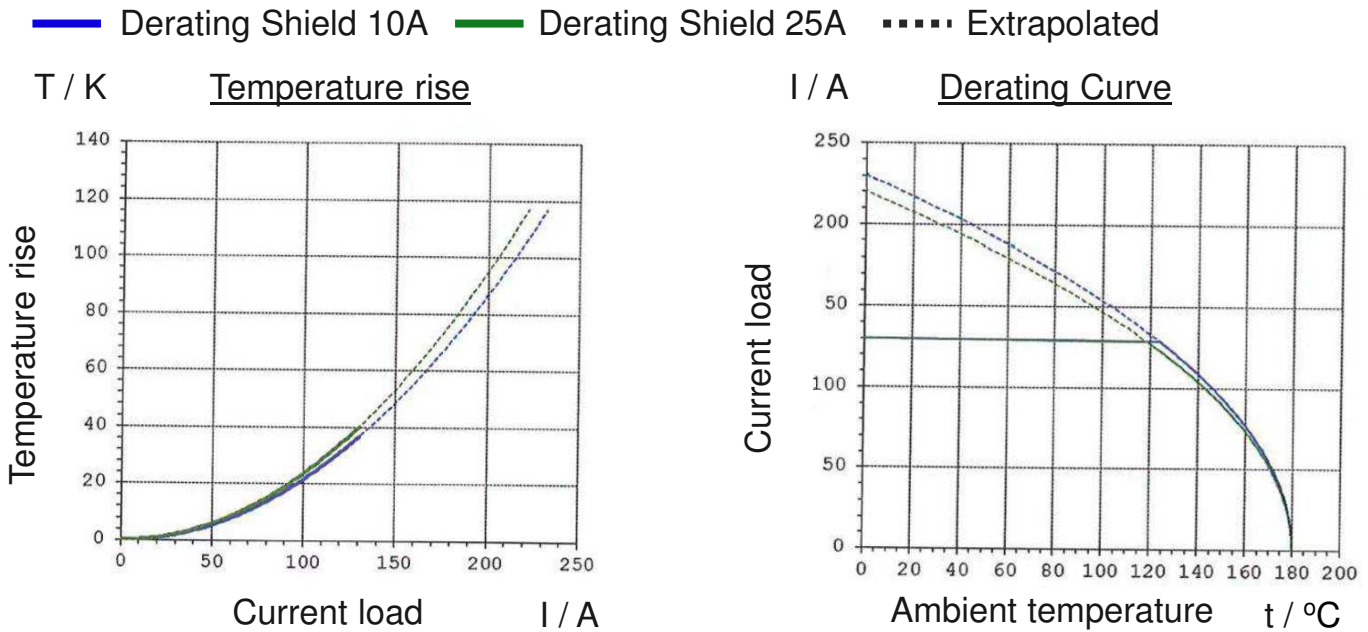


Figure 2: 2pos, 35 mm² (Coroplast-No. 9-2611) Derating and temperature rise – current at contact

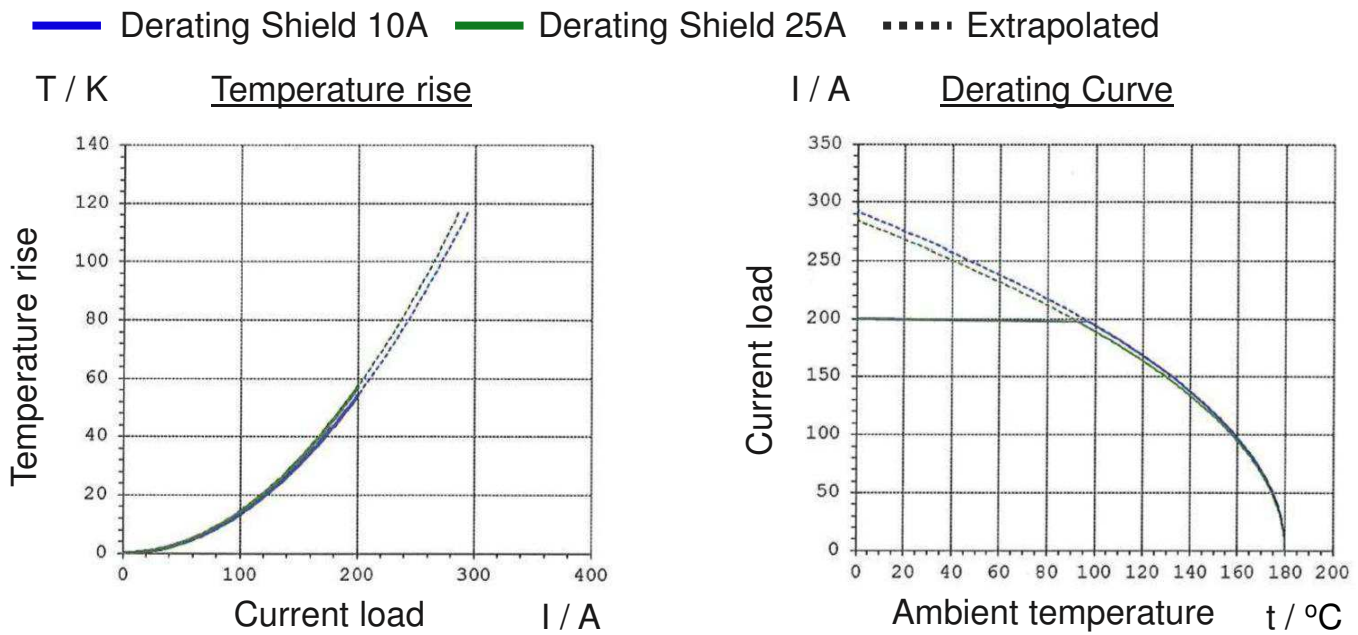


Figure 3: 2pos, 50 mm² (Coroplast-No. 9-2611) Derating and temperature rise – current at shield

HVP800 2PHI AND 3PHI 90°

5.2 Housing influence on derating: 3pos connector

Derating inside housing: Current at contact with load at shield
 80% Characteristic curve of measured value, cable length according to DIN EN 60512-5-2

Test setup

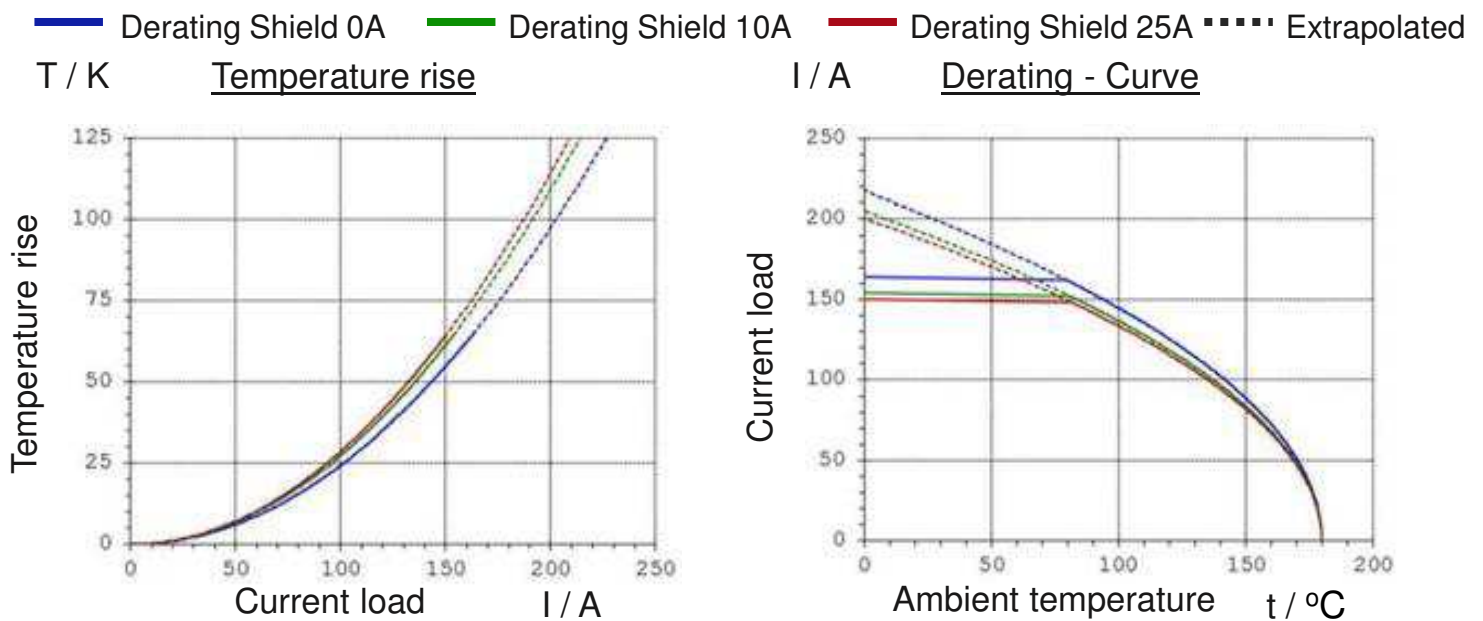


Figure 4: 3pos, 25 mm² (Coroplast-No. 9-2611) Derating and temperature rise – current at contact

HVP800 2PHI AND 3PHI 90°

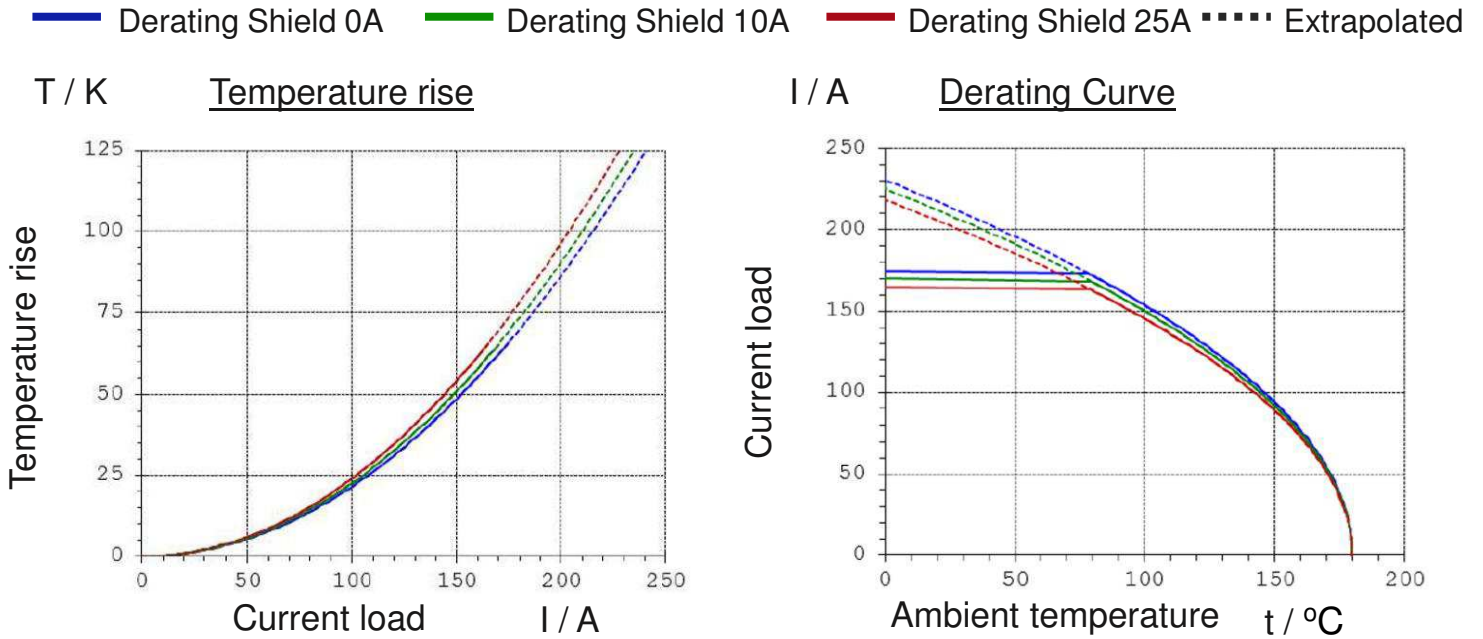


Figure 5: 3pos, 35 mm² (Coroplast-No. 9-2611) Derating and temperature rise – current at contact

HVP800 2PHI AND 3PHI 90°

Test setup

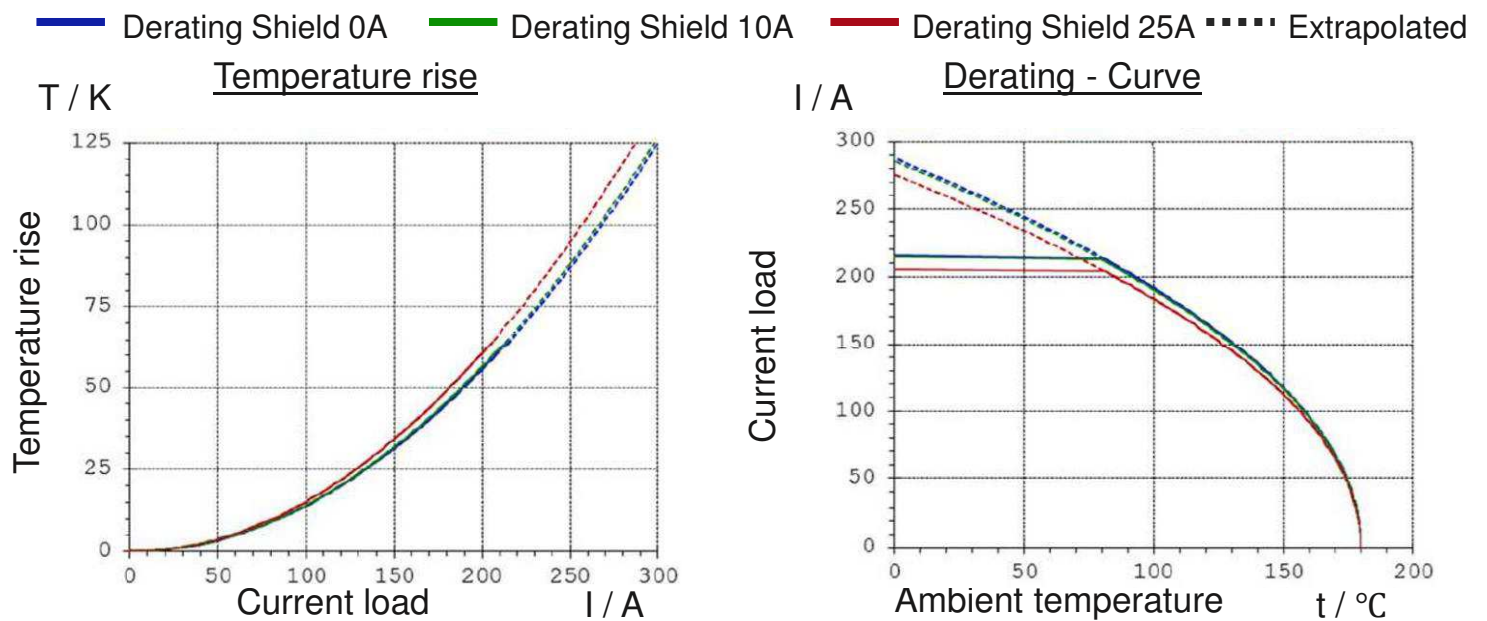
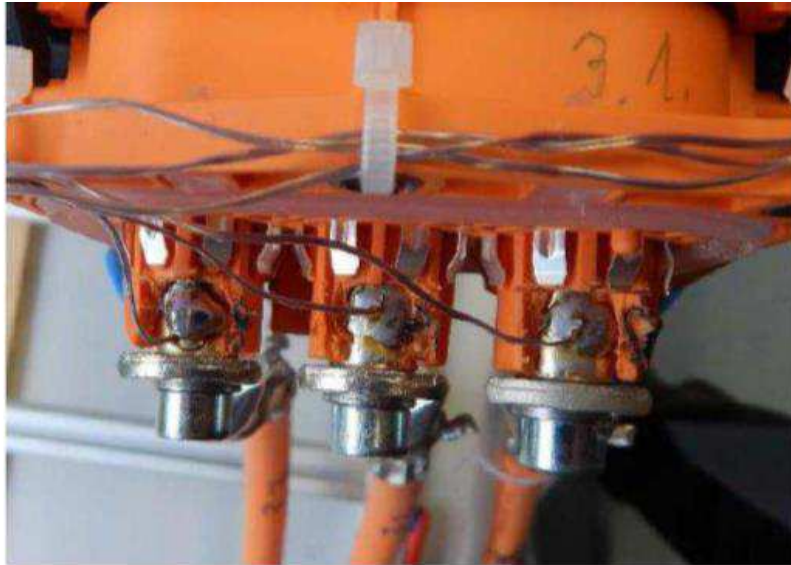


Figure 6: 3pos, 50 mm² (Coroplast-No. 9-2611) Derating and temperature rise – current at contact

HVP800 2PHI AND 3PHI 90°

5.3 Dynamic load

Dynamic load acc. LV214 (release 03.2010)

Design of vibration device (see picture 7)

2 and 3pos. connector

Coroplast 50mm² acc. to Coroplast-No.: 9-2611 / 50mm², Version A4

Cable fixed after Dimensioning

A=100mm

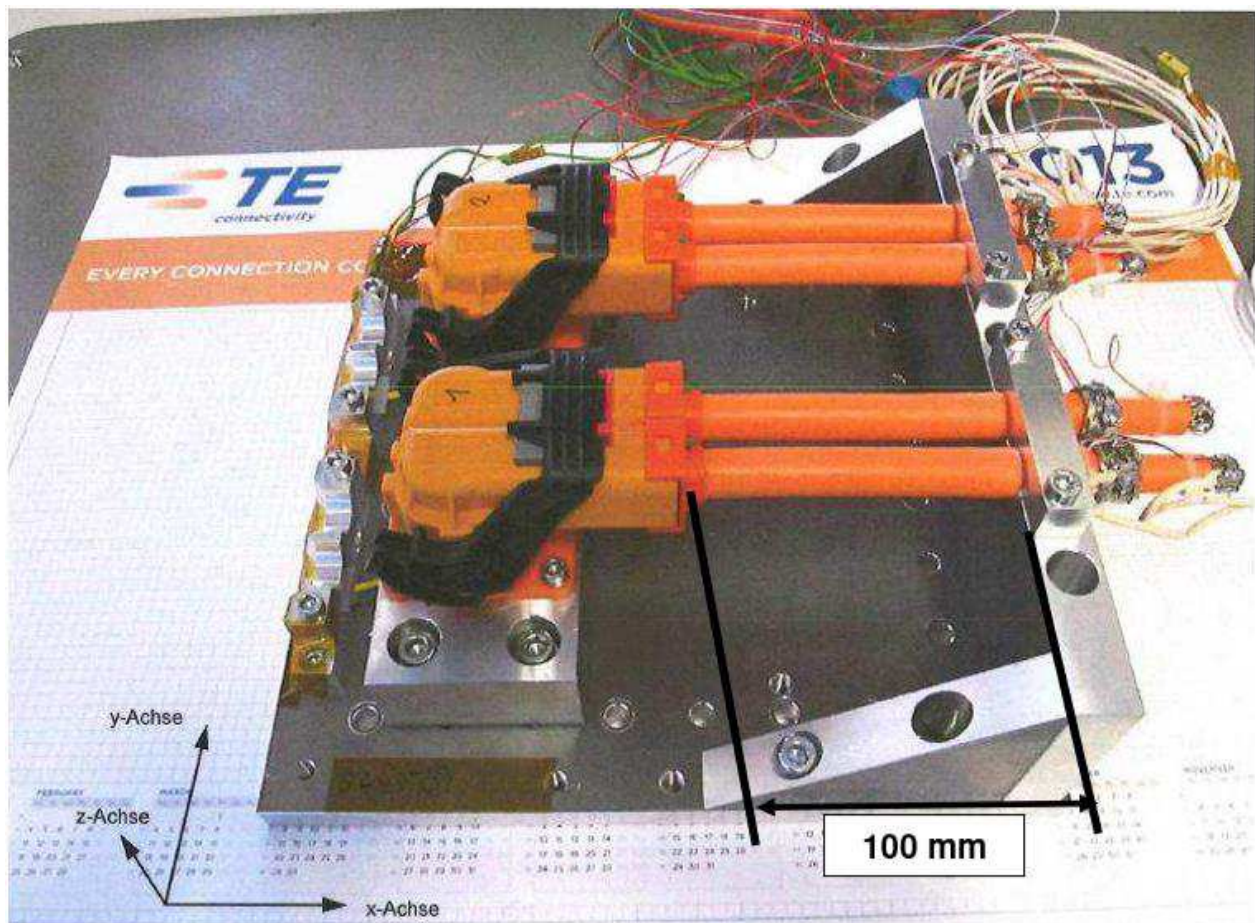


Figure 7: Vibration device (exemplary view at 2pos. connector)

HVP800 2PHI AND 3PHI 90°

5.4 Contact engagement length

A	Contact overlap – power contact	$\geq 1\text{mm}$
B	Contact overlap – HVIL contact	$\geq 1\text{mm}$
	Interlock Disconnected advanced by pull-out process	$\geq 1\text{mm}$

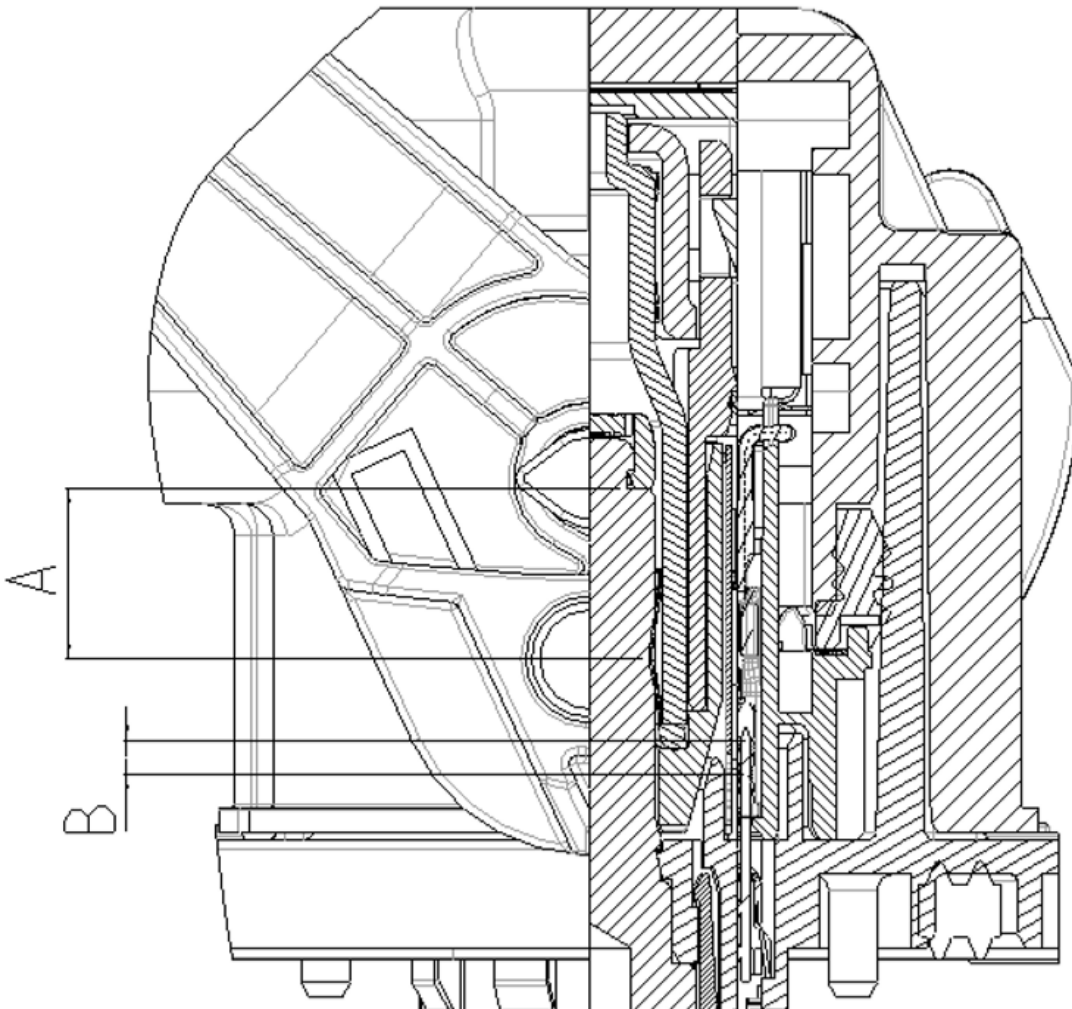


Figure 8: Contact engagement length

HVP800 2PHI AND 3PHI 90°

5.5 Strain Relief

System is validated with strain relief at 100mm. Each application has to be evaluated independently with regards to the external influences on the system. Having strain relief, which moves with the connector body, close to the end of the connector will have a positive influence on the performance of the connector. Have strain relief further from the end of the connector or that moves independent of the connector body will have a negative influence on the performance of the connectors.

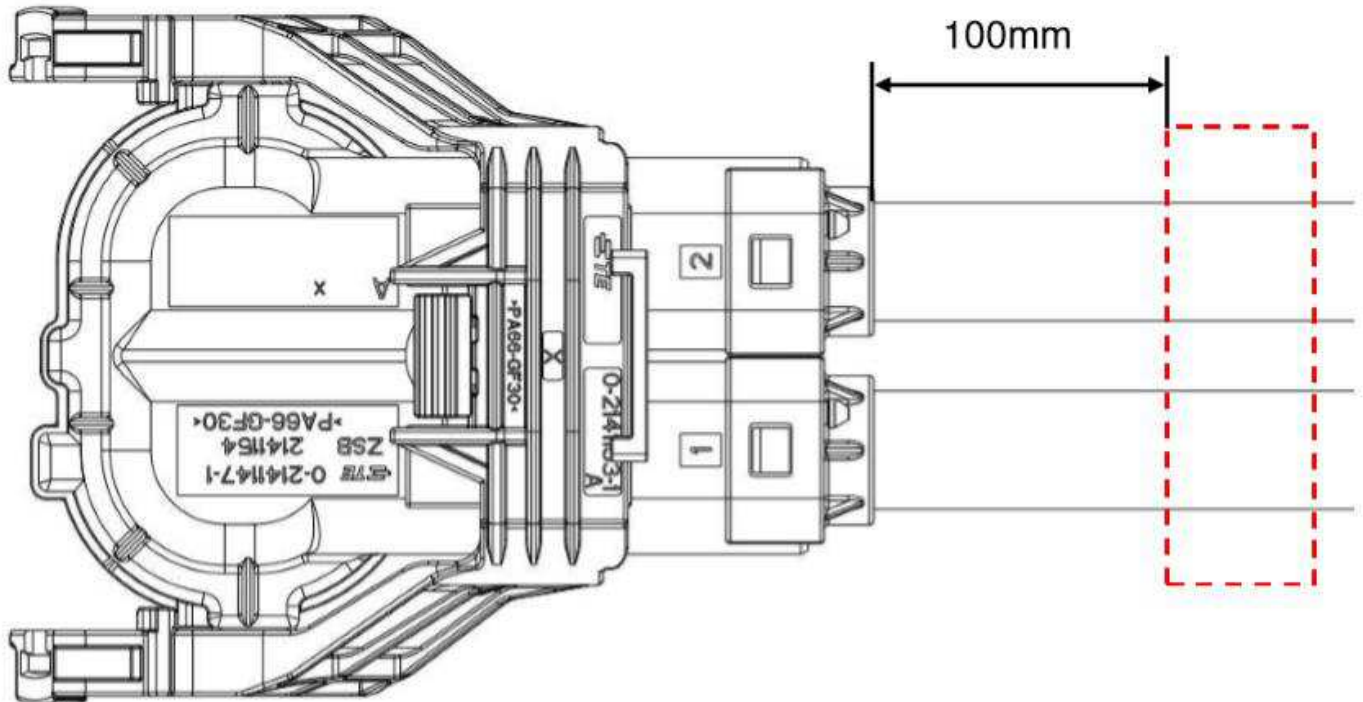


Figure 9: Recommended requirement for strain relief