

3-Position, Sealed Beam Connector
3 極シールドビーム・コネクタ

Following first 12 pages are English version and last 11 pages are Japanese version. This top sheet is not part of the specification but explains both of English and Japanese versions are available.

このトップシートに続く最初の 12 ページは英語版で、その後の 11 ページは日本語版です。このトップシートは、規格には含まれませんが、英語、日本語両方があることを説明しています。

Product Specification
3-Position, Sealed Beam Connector

NUMBER 108-5131

AMP SECURITY CLASSIFICATION Customer Release

1. Scope:

This specification covers product performance requirements and test methods for 3-Position, Sealed Beam Connectors.

2. Product Part Numbers:

The products of the following part numbers shall be covered under this specification.

| | Parts No. | Product descriptions |
|--------------------|-----------|--|
| Receptacle Contact | 170381 | .312 Series, Positive Lock Receptacle |
| | 172795 | .312 Series, Positive Lock Receptacle Flag(L) |
| | 172796 | .312 Series, Positive Lock Receptacle Flag(R) |
| | 900318 | .312 Series, Positive Lock Receptacle Flag(R) |
| | 900319 | .312 Series, Positive Lock Receptacle Flag(L) |
| Receptacle Housing | 172236 | 3-Position, Sealed Beam Connector Housing |
| | 172615 | 3-Position, Sealed Beam Connector Housing Flag |
| | 353752 | .312 Head Lamp Connector (Compact Type) |

Table 1

3. Definitions of Terms:

For the purpose of this specification, the following terms shall apply.

3.1 Contact:

Contact is an electrically conductive, metallic component member of connector.

3.2 Housing:

Housing is an electrically insulating plastic block that encapsulates contacts in its cavities and mates with tab contacts on sealed beam assembly.

3.3 Connector:

Connector is an assembly of housing and fully loaded wire-crimped contacts.

4. Material:

4.1 Contact:

Contact is made from pretinned brass strip.

4.2 Housing:

Housing is made of molded 6/6 Nylon resin.

5. Product Design Feature, Construction and Dimensions:

5.1 Receptacle:

Product design feature, construction and dimensions of contacts shall be conforming to the applicable customer product drawing(s). This is a receptacle contact that is loaded into housing cavity after being crimped, having locking device with which it can keep securely fit mating. To unmate contacts pull back the housing with its locking leg depressed by hand. This device remains effective unless it is intendedly unmated by depressing more than one locking leg at the same time.

| | | | | | | | | | | |
|-----|-------------------|--------------|----|-----|-----------|---------------|-----------------------------------|----------------------------|----------|----|
| B2 | REVISED | FJ00-0249-02 | AY | KO | 31 JUL 82 | | | | | |
| B1 | Revised | FJ00-1164-00 | KS | WLC | 9/7/80 | DR | <i>[Signature]</i> | 11-4-82 | | |
| B | Revised | RFA-1979 | KJ | AT | 3/3/82 | CHK | <i>[Signature]</i> | 11-4-82 | | |
| A2 | REVISED | RFA-1892 | | AT | 10/2/81 | APP | | | | |
| A1 | Revised | RFA-1481 | | | | | | | | |
| A | Revised & Retyped | per RFA-590 | | | | | | | | |
| LTR | REVISION RECORD | | DR | CHK | DATE | SHEET 1 OF 12 | | NAME Product Specification | | |
| | | | | | | | LOC | NO | REV | |
| | | | | | | | J | A | 108-5131 | B2 |
| | | | | | | | 3-Position, Sealed Beam Connector | | | |

5.2 Housing:

Product design feature, construction and dimensions shall be conforming to applicable customer product drawing(s).
 A locking lance attached in upper wall of housing cavity hooks on rolled leaf area of receptacle contact and locks the contact in position. To remove receptacle contact from housing, lift up the housing lance with the use of extraction tool to release locking of contact, then receptacle contact can be removed from housing cavity.

6. Ratings:

6.1 Temperature Rating:

Temperature rating shall be within the range of -30°C and 105°C, including ambient temperature and temperature rising resulted from loaded current.

6.2 Applicable Wire Sizes:

The wires of applicable sizes, conforming to JIS C 3406, Low Voltage Cables for Automobiles, shall be used for terminating contacts.


| | |
|------------------------------|-----------|
| | 170381-1 |
| Wire Size (mm ²) | 0.5 - 2.0 |
| Insulation Diameter (mm) | 2.2 - 3.4 |

7. Performance Requirements and Test Methods:

7.1 When tested in accordance with the test method specified in Para. 7.2, and test sequence specified in Para. 7.3, product performance shall be met with the requirements specified in Table 2.

| Test Item (Paragraph No.) | Performance Requirements (Initial) | Performance Requirements (After Conditioning) |
|---|---|--|
| Appearance (Para. 7.2.1) | Connector assembly shall be free from defects such as cracks, breakage, damage, rattling and loose of parts, rust and fusion that are detrimental to connector functions. | |
| Connector Insertion Force (Para. 7.2.2) | 59N | max. for 3-Position connector |
| Connector Extraction Force (Para. 7.2.3) | 49N | max. for 3-position connector |
| Termination Resistance (Low Level) (Para. 7.2.4) | 3 mΩ max. | 10 mΩ max. |
| Termination Resistance (Para. 7.2.5) | 3 mV/A max. | 10 mV/A max. |
| Insulation Resistance (Para. 7.2.6) | 100 MΩ min. | |

Table 2 (To be continued)

| | | | | | |
|----------------------------------|--|--|---|----------|-----|
| SHEET | |  Tyco Electronics AMP K.K. Kawasaki, Japan | | | |
| 2 OF 12 | | | | | LOC |
| | | J | A | 108-5131 | B2 |
| NAME Product Specification | | | | | |
| 3-Position Sealed Beam Connector | | | | | |


7.1 Performance Requirements(Continued):

NUMBER 108-5131

AMP SECURITY CLASSIFICATION Customer Release

| Test Item (Paragraph No.) | Performance Requirements (Initial) | Performance Requirements (After Conditioning) |
|--|--|--|
| Dielectric Strength (Para. 7.2.7) | No insulation breakdown shall occur. | |
| Current Leakage (Para. 7.2.8) | 3 mA max. | |
| Contact Retention Force(Para. 7.2.9) | 59N | min. |
| Contact Locking Retention Force (Para. 7.2.10) | 98N | min. |
| Touch Feeling at Insertion/Extraction of Connector (Para. 7.2.11) | No abnormal touch shall be perceived at insertion and extraction of contact that may cause pain or fatigue on operator's hand. | |
| Crimp Tensile Strength (Para. 7.2.12) | Wire Size | Tensile Strength |
| | 0.5 mm ² | 88N Min. |
| | 0.85mm ² | 127N Min. |
| | 1.25mm ² | 176N Min. |
| | 2.0 mm ² | 265N Min. |
| "Kojiri" Resistibility (Para. 7.2.13) | When tested in accordance with the test sequence specified in Table 7, the performance requirements shall be met. 60°C max When tested in accordance with the test sequence specified in Table 7, the performance requirements shall be met. | |
| Current Cycling (Para. 7.2.14) | | |
| Vibration (Para. 7.2.15) | | |
| Physical Shock (Para. 7.2.16) | | |
| Temperature Rising (Para. 7.2.17) | | |
| Heat Resistibility (Para. 7.2.18) | | |
| Cold Resistibility (Para. 7.2.19) | | |
| Thermal Shock (Para. 7.2.20) | | |
| Humidity (Para. 7.2.21) | | |
| Dust Bombardment (Para. 7.2.22) | | |
| Salt Spray (Para. 7.2.23) | | |

Table 2

| | | | | |
|-----------------------------------|-----|--|----------|--------------------|
| SHEET | |  Tyco Electronics AMP K.K. Kawasaki, Japan | | |
| 3 OF 12 | LOG | | | |
| | J | A | 108-5131 | REV B ² |
| NAME Product Specification | | | | |
| 3-Position, Sealed Beam Connector | | | | |

7.2 Test Methods:

7.2.1 Appearance:

Visually and tactically inspect the appearance of product connector for evidence of cracks, breakage, damage, rattling and loose of parts, rust, fusion and deformation that are detrimental to connector functions.

7.2.2 Connector Insertion Force:

Statically secure one of the mating pair of connector and tab contact, and insert the counterpart straightly by operating the head of testing machine to travel with the speed at a rate of 100mm a minute. The force required to mate the parts shall be measured and recorded.

7.2.3 Connector Extraction Force:

Mated pair of connector and tab contact shall be tested on tensile testing machine, with one of them secured tightly and apply an axial load to unmate by operating the head to travel with the speed at a rate of 100mm a minute. The force required to separate the parts shall be measured and recorded. For this test, locking mechanism of contact shall be not set in effect.

7.2.4 Termination Resistance (Low Level):

Mated pair of connector and tab contacts shall be tested by applying test current of $10 \pm 0.5\text{mA}$ at open circuit voltage of $20 \pm 5\text{mV}$ DC flowing through the circuit as shown in Fig. 1, and millivolt drop shall be measured by probing at Y and Y' which is 75mm apart from wire crimp. Low level termination resistance is obtained by calculation after deducting the resistance of wire of 75mm in length used for termination.

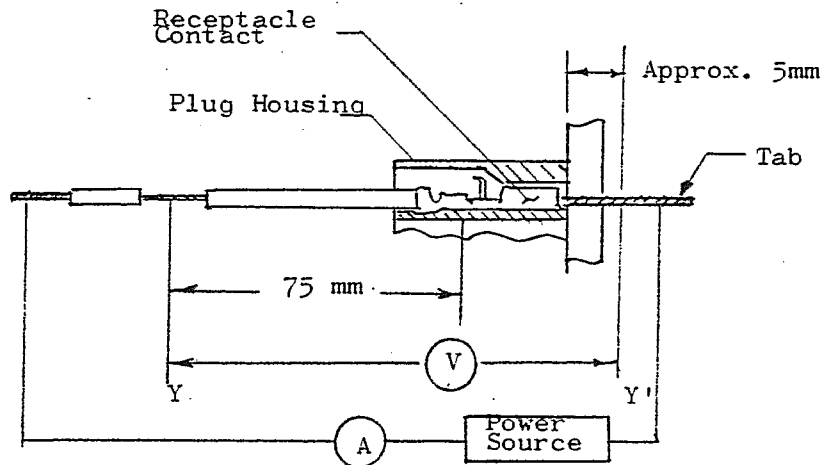


Fig. 1

| | | | |
|----------------------------------|---|----------------|-----------|
| SHEET | AMP Tyco Electronics AMP K.K. Kawasaki, Japan | | |
| 4 OF 12 | LOC J A | NO 108-5131 | REV B2 |
| NAME Product Specification | | | |
| 3-Position Sealed Beam Connector | | | |

7.2.5 Termination Resistance:

Mated pair of contacts or connectors are tested by applying short circuit current of $1 \pm 0.05A$ at open circuit voltage of 12V DC flowing through the circuit. Millivolt drop of the circuit shall be measured after temperature rising of the circuit becomes stabilized by probing between Y - Y' in Fig. 1. Termination resistance is obtained by calculation after deducting the resistance of the wire of 75mm in length used for termination.

7.2.6 Insulation Resistance:

Mated pair of connectors are tested by applying test potential between the adjacent contacts and between the contacts and the ground. Test potential shall be 500V DC.

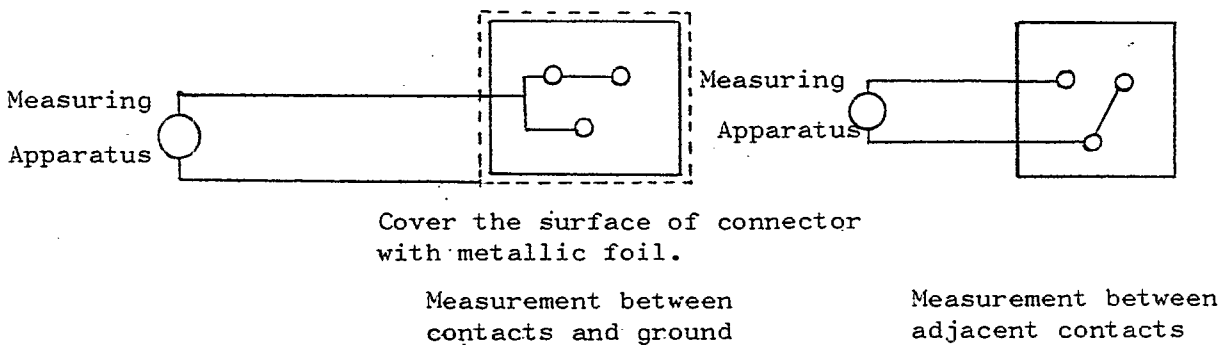


Fig. 2

7.2.7 Dielectric Strength:

Mated pair of connectors are tested by applying test potential of 1000V AC at commercial frequencies between the adjacent contacts and between the contacts and the ground for 1 minute as shown in Fig. 2.

7.2.8 Current Leakage:

After having exposure conditioning under humidity atmosphere, the sample connector shall be tested by applying test current at 14V DC to the circuit as shown in Fig. 3 in the room temperature.

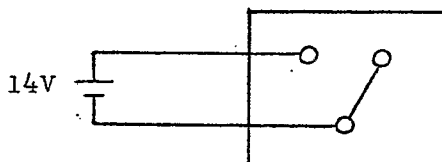


Fig. 3

| | | | | |
|-----------------------------------|----------|---|----------------|-----------|
| SHEET | | AMP Tyco Electronics AMP K.K. Kawasaki, Japan | | |
| 5 OF 12 | LOC J | A | NO 108-5131 | REV B2 |
| NAME Product Specification | | | | |
| 3-Position, Sealed Beam Connector | | | | |

7.2.9 Contact Retention Force:

Retention force of contact is tested after inserting a contact into housing cavity which is crimped on an approximately 100mm long, 0.85 mm² or greater wire. The contact-loaded connector shall be firmly secured on a tensile testing machine, and an axial pull-off load shall be applied to the crimped wire by operating the head to travel with the speed at a rate of 100mm a minute. Contact retention force is determined when the contact is dislodged from the housing cavity.

7.2.10 Contact Locking Retention Force:

Contact locking retention force is tested after inserting contacts into housing cavity which are crimped on an approximately 100mm long, 1.25 mm² or greater wires. The contact-loaded connector shall be mated with counterpart tab contacts with the locking mechanism set in effect, and after having the connector firmly secured on a tensile testing machine, an axial pull-off load shall be applied by operating the head to travel with the speed at a rate of 100mm a minute. Contact locking retention force is determined when the connector is unmated with or without breakage of locking mechanism.

7.2.11 Touch Feeling at Insertion and Extraction:

Manually repeat insertion and extraction of contacts and connectors and confirm if any abnormal feeling that causes pain or excessive fatigue of operators' hands, is not perceived.

7.2.12 Crimp Tensile Strength:

Firmly secure a contact on the tensile testing machine which is crimped on an approximately 100mm long wire, and apply an axial pull-off load to the crimped wire by operating the head to travel with the speed at a rate of 100mm a minute. The force required to pull-off the wire from the wire crimp shall be measured and recorded.

7.2.13 "Kojiri" Resistibility:

Firmly secure a contact-loaded connector on a sturdy bench by using a test fixture, and mate with the counterpart tab contacts in the normal manner to the designated depth. And apply 2 cycles of reciprocating load of 196N-cm in front-rear direction to the point as shown in Fig. 4. Then, with the connector 1 mm pulled up in the course of extraction stroke, apply 2 cycles of the same reciprocating load with the first time. Thus repeating to apply "Kojiri" moving at every 1 mm graduation of connector extraction stroke, the sample connector shall be tested until it is fully separated. Making one separation a cycle, repeat 25 cycles of "Kojiri" conditioning. After completion of movement in front-rear direction, apply in the same manner in right-left direction for the same cycles.

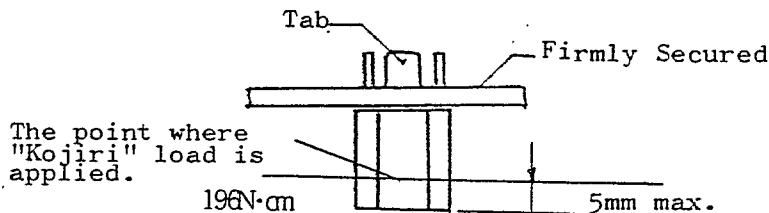


Fig. 4

| | | | | |
|-----------------------------------|----------|---|----------------|-------------|
| SHEET | | AMP Tyco Electronics AMP K.K. Kawasaki, Japan | | |
| 6 OF 12 | LOC J | A | NO 108-5131 | Rev. B 2 |
| NAME Product Specification | | | | |
| 3-Position, Sealed Beam Connector | | | | |

NUMBER 108-5131
 AMP SECURITY CLASSIFICATION
 Customer Release

7.2.14 Current Cycling:

Mated pair of connector is tested by applying test current of the intensity specified in Table 3 to all the contacts. Current cycling is such that the contacts are energized for 45 minutes followed by deenergizing for 15 minutes. Making this one cycle, repeat for 200 cycles. Measurement of termination resistance shall be done at the completion of 50th, 100th, 150th, and 200th, cycle. The test shall be performed in a draft-free test chamber.

| Wire Size (mm ²) | Test Current (A) |
|------------------------------|------------------|
| 0.5 | 8.25 |
| 0.85 | 11.25 |
| 1.25 | 14.25 |
| 2.0 | 18.75 |

Table 3

7.2.15 Vibration:

Mated and series-wired connector assembly shall be tested on vibration testing machine after mounted in the manner as shown in Fig. 5. The conditions of vibration shall be in accordance with Table 4, and during the test, short circuit current of 1A at open circuit voltage of 12 V shall be applied to the circuit, and monitored for electrical discontinuity greater than 1 microsecond taking place in the circuit.

| Accelerated Velocity | Test Duration | Vibrating Frequencies |
|------------------------------|---|--|
| 44m/s ² (4.5G) | 4 hours each for X and Y axes totally, 8 hours | 20 - 200 Hz. Reciprocating to change one cycle a minute |

Table 4

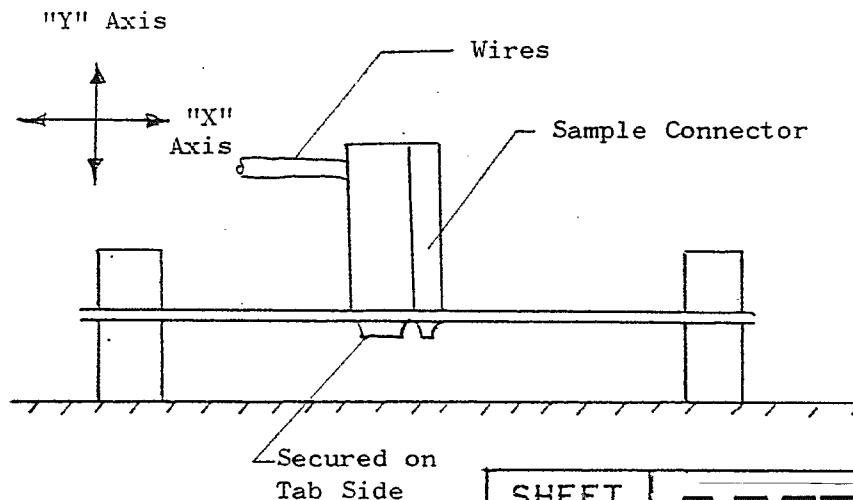


Fig. 5

| | | | | |
|-----------------------------------|---|--|--|-----------|
| SHEET | AMP Tyco Electronics AMP K.K. Kawasaki, Japan | | | REV B2 |
| | | | | |
| 7 OF 12 | NAME Product Specification | | | |
| 3-Position, Sealed Beam Connector | | | | |

7.2.16 Physical Shock:

Mated and series wired connector shall be tested on shock testing machine conforming to SAE J 577, by applying vibratile physical shock generated by cam drops of 3.2mm in stroke at a rate of 12.5Hz for 1 hour. The vibrating table is supported by spring tension of 265-314N at the edge of vibration table. During the vibration, short circuit current of 1A at open circuit voltage of 12V DC shall be applied to the circuit, and the circuit shall be monitored for electrical discontinuity greater than 1 microsecond taking place in the circuit.

7.2.17 Temperature Rising:

Contact-loaded and mated connector shall be tested by applying test current of the intensity specified in Table 5. And after temperature rising becomes stabilized, measure the temperature at the area adjacent to frictional contact portion. The test shall be performed in a draft-free test chamber.

| Wire Size (mm ²) | Test Current (A) |
|------------------------------|------------------|
| 0.5 | 8.25 |
| 0.85 | 11.25 |
| 1.25 | 14.25 |
| 2.0 | 18.75 |

Table 5

7.2.18 Heat Resistibility (High Temperature Aging):

Connector shall be tested for heat resistibility by exposing under 80 \pm 1°C for 120 hours in a test oven. After completion of duration, the sample connector shall be taken out of the oven and reconditioned in the room temperature before undergoing subsequent measurement.

7.2.19 Cold Resistibility (Low Temperature Aging):

Connector shall be tested for cold resistibility by exposing under -30 \pm 5°C for 120 hours in a test chamber. After completion of duration, the sample connector shall be taken out of the chamber and reconditioned in the room temperature before undergoing subsequent measurement.

7.2.20 Thermal Shock:

Mated pair of connector shall be exposed under 100 cycles of heat/cold temperature exposure, one cycle of which is specified in Table 6. After completion of test cycling, the sample connector shall be reconditioned in the room temperature, before undergoing subsequent measurements.

| | |
|----|-------------------------------------|
| 1. | 80 \pm 1°C for 1 hour |
| 2. | Room Temperature for 5 minutes max. |
| 3. | -30 \pm 5°C for 1 hour |
| 4. | Room Temperature for 5 minutes max. |

Table 6

| | | | |
|-----------------------------------|----------|---|-----------|
| SHEET | | AMP Tyco Electronics AMP K.K. Kawasaki, Japan | |
| 8 OF 12 | LOC J | NO 108-5131 | Rev B2 |
| NAME Product Specification | | | |
| 3-Position, Sealed Beam Connector | | | |

7.2.21 Humidity:


Connector shall be tested in a test chamber by hanging in the manner that connector does not get wet by water drops generated by the moisture where test temperature of $60 \pm 5^{\circ}\text{C}$ with relative humidity of 90 - 95% is maintained. The connector shall be exposed for 96 hours and during the test test voltage of 14V DC shall be applied between the contacts shown in Fig. 3.

7.2.22 Dust Bombardment:

Connector sample shall be tested in a closed tank having three dimensions of 900 - 1200 mm, where the sample is exposed under bombardment of powdered Kanto loam dust ejected by compressed air at a rate of 1.5kg per 10 seconds in a frequency of once a 15 minutes and dispersed by powered fan. Connector shall be extracted and reinserted at every 30 to 1 hour, and making this one cycle, repeat 4 cycles of conditioning.

7.2.23 Salt Spray:

Connector assembly shall be tested in a closed test chamber by hanging in the middle, where it is exposed under salt spray of $5 \pm 1\%$, 1.0268 - 1.0413 in specific gravity, 6.5 - 7.2 in pH hydrogen exponent, sprayed by air pressure of 68.6-177KPa for 24 hours in the temperature at $35 \pm 5^{\circ}\text{C}$. After the test duration, the sample connector shall be hung in a humidity test chamber, where it is exposed under test atmosphere of $80 \pm 5^{\circ}\text{C}$ with relative humidity of 90-95% for 24 hours. After this exposure, the sample shall be reconditioned in the room temperature. During salt spray conditioning, test potential of 14V shall be applied between the contacts specified in Fig. 3.

| | | | | |
|-----------------------------------|-----|--|----------|-----------|
| SHEET | |  Tyco Electronics AMP K.K. Kawasaki, Japan | | |
| 9 OF 12 | LOG | | | |
| | J | A | 108-5131 | REV B2 |
| NAME Product Specification | | | | |
| 3-Position, Sealed Beam Connector | | | | |

7.3 Test Sequence:

All the tests shall be performed in accordance with the test sequence specified in Table 7.

| Test Item | Sample Group | Test Sequence | | | | | | | | | |
|-----------------------------------|--------------|---------------|---------|-----|-------|---|----------|---------|---|---|----|
| | | I | II | III | IV | V | VI | | | | |
| Appearance | | 1 | | | | | | | | | |
| Connector Insertion Force | | | | | | | 1 7 11 | | | | |
| Connector Extraction Force | | | | | | | 3 6 10 | | | | |
| Termination Resistance(Low Level) | | | | | | | 2 5 9 13 | 1 3 6 8 | | | |
| Termination Resistance | | | 1 3 5 7 | | 1 3 5 | | | | | | |
| Insulation Resistance | | 3 | | | | | | | | | |
| Dielectric Strength | | 4 | | | | | | | | | |
| Touch Feeling at Assembly | | 2 | | | | | | | | | |
| Crimp Tensile Strength | | | | | | | | | | | 1 |
| Contact Retention Force | | 5 | | | | | | | | | |
| Contact Locking Retention Force | | | | 8 | | | | | | | |
| "Kojiri" Resistibility | | 2 | | | | | | | | | |
| Vibration | | | 4 | | | | | | | | |
| Current Cycling | | | 6 | | | | | | | | |
| Physical Shock | | | | | 2 | | | | | | |
| Temperature Rising | | | | | | 4 | | | | | |
| Heat Resistibility | | | | | | | 4 | | | | |
| Cold Resistibility | | | | | | | | 8 | | | |
| Thermal Shock | | | | | | | | | 2 | | |
| Humidity | | | | | | | | | | 4 | |
| Current Leakage | | | | | | | | | | 5 | |
| Dust Bombardment | | | | | | | | | | | 7 |
| Salt Spray | | | | | | | | 12 | | | |
| Number of Samples (Min.) | | 2 | 2 | | 2 | | 2 | | 2 | | 10 |

Table 7

| | | | | |
|-----------------------------------|---|---------|----------|-----------|
| SHEET | AMP Tyco Electronics AMP K.K. Kawasaki, Japan | | | |
| 100F12 | LOC J | NO A | 108-5131 | REV B2 |
| NAME Product Specification | | | | |
| 3-Position, Sealed Beam Connector | | | | |

8. Quality Assurance Provisions:

8.1 Test Conditions:

Unless otherwise specified, all the tests shall be performed under any combination of the following test conditions.

Room Temperature: 15 - 35°C
 Relative Humidity: 45 - 75%
 Atmospheric Pressure: 86.7-107KPa(650-800mmHg)

8.2 Test Samples:

8.2.1 Test Sample Preparation:

All the samples to be employed for the tests, shall be prepared in accordance with AMP Application Specifications 114-5047 and 114-5079 (Flag), Crimping of "312" Series, Positive Lock Receptacle Contact on the wires of the specified sizes shown in Table 8. Unless otherwise specified, no sample shall be reused for the tests.

8.2.2 Number of Specimens:

Number of samples used for the tests shall be in accordance with Table 7 preparing samples of the same number or greater.

8.2.3 Mating Tab Preparation:

The tab contact used for mating 3-Position, Sealed Beam Connector shall be fabricated in accordance with Fig. 4.

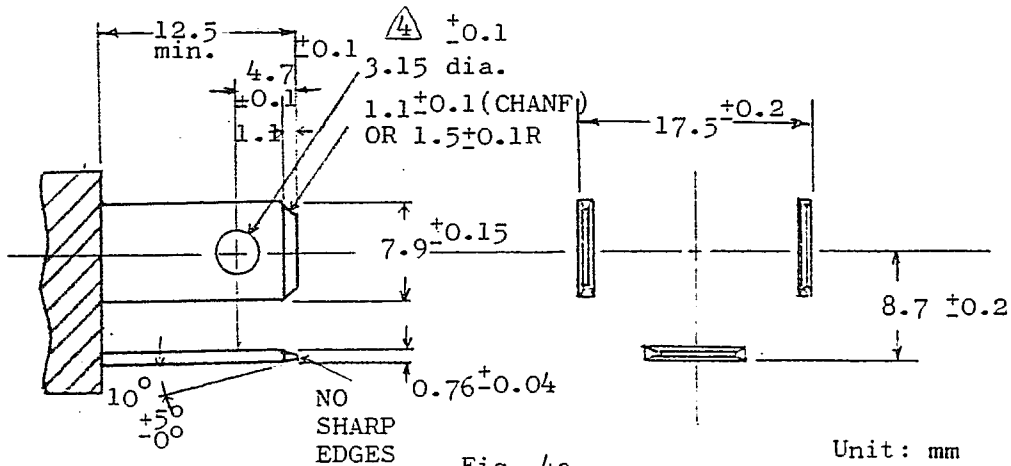


Fig. 4a

1. Material: JIS H 3100 C2600 1/2H
2. No sharp edges, burrs and warpage of material are allowed.
3. Eccentricity of center of hole shall be held within 0.1mm to the tru position.

④ At assembly of tab contacts, arrange to dispose the tabs standing with the shear droop surface outside as shown in Fig. 4b. When it is not possible to do so, shear droop must be held within 0.1mm.

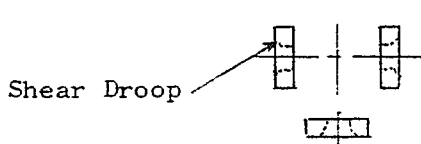


Fig. 4b

| | | | | |
|-----------------------------------|-------|---|----|-----|
| SHEET | | AMP Tyco Electronics AMP K.K. Kawasaki, Japan | | |
| 11 | OF 12 | LOC | NO | REV |
| | | J | A | B2 |
| | | 108-5131 | | |
| NAME Product Specification | | | | |
| 3-Position, Sealed Beam Connector | | | | |

8.2.4 Applicable Wire Sizes:

The wires of the following sizes shall be used for termination.

| Wire Size (mm ²) | Strand Composition Number of Strands / Diameter of A Strand | Calculated Cross-sectional Area (mm ²) | Insulation Diameter (mm) | Applicable Specification |
|------------------------------|---|--|--------------------------|--|
| 0.5 | 7 / 0.32 | 0.56 | 2.2 | JIS C 3406 Low Voltage Cables for Automobiles |
| 0.85 | 11 / 0.32 | 0.88 | 2.4 | |
| 1.25 | 16 / 0.32 | 1.29 | 2.7 | |
| 2.0 | 26 / 0.32 | 2.09 | 3.1 | |

Table 8

9. Special Instructions at Assembly and Handling:


9.1 Crimping

Crimping and assembly of connector shall be performed in accordance with AMP Application Specifications, 114-5047 and 114-5079 (Flag); Crimping of #312 Series Positive Lock Connector Contacts, in order to maintain reliable performance of connector.

Connector assembly procedure shall be in accordance with CM 120J, Sealed Beam Connector Assembly and Handling Procedure of.

10 Reference Documents:

- JASO D605-74 (7002) Multipole Connector for Automobiles
- JASO 7101 Test Methods for Plastic Component Parts
- JIS C 3406 Low Voltage Cables for Automobiles
- JIS D 0204 Method of High and Low Temperature Test for Automobile Parts
- JIS D 1601 Vibratile Testing Method for Automobile Parts
- JIS D 5504 Sealed Beam Head Lamp Units for Motor Vehicles
- JASO 6608 " " " " " " " " " "
- SAE J 571 Dimensional Specifications for Sealed Beam Headlap Unit

| | | | | | |
|-------|-------|--|---|----------|-----|
| SHEET | |  Tyco Electronics AMP KK Kawasaki, Japan | | | |
| 12 | OF 12 | | | | LOC |
| | | J | A | 108-5131 | B2 |
| NAME | | Product Specification | | | |
| | | 3-Position, Sealed Beam Connector | | | |

社内標準



管理基準：

(技術標準)

大同電気工業(株)

製品規格

108-5131

3極シールドビーム・コネクタ

1. 適用範囲

本仕様書は、エー・エム・ピー(株)で製造される3極シールドビーム・コネクタについて規定する。

2. 製品の型番及び名称

| | 型番 | 名称 |
|-------------|--------|---------------------------------|
| リセプタクル | 170381 | .312シリーズ・ポジティブ・ロック・リセプタクル |
| | 172795 | .312シリーズ・ポジティブ・ロック・リセプタクル 旗型(L) |
| | 172796 | .312シリーズ・ポジティブ・ロック・リセプタクル 旗型(R) |
| | 900318 | .312シリーズ・ポジティブ・ロック・リセプタクル 旗型(R) |
| | 900319 | .312シリーズ・ポジティブ・ロック・リセプタクル 旗型(L) |
| リセプタクルハウジング | 172236 | 3極シールド・ビーム・コネクタ・ハウジング |
| | 172615 | 3極シールド・ビーム・コネクタ・ハウジング 旗型 |
| | 353752 | 312ヘット・ランプ・コネクタ(コンパクトタイプ) |

3. 用語の意味

Table 1

本仕様書に適用する用語の意味は以下の通りとする。

- 3.1 コンタクト： コネクタの構成部品である接触子をいう。
- 3.2 ハウジング： コネクタの構成部品であるコンタクトを収容するものをいう。
- 3.3 コネクタ： 電線を圧着したコンタクトをハウジングにアッセンブリしたものをいう。

4. 使用材料

- 4.1 コンタクト： 錫めつき済の黄銅により製造される。
- 4.2 ハウジング： 66ナイロン樹脂により製造される。

| | | | | | | | | |
|----|------------------|--------|----|-----------|--------------|------|----------------|----------|
| B2 | 改訂 FJ00-0249-02 | AY | KO | 3/17/81 | 作成： 2/23/81 | 分類： | 製品規格 | 改訂 B2 |
| B1 | 改訂 FJ00-1164-00 | K.S | KK | 7/7/80 | 検閲： 11/10/80 | コード： | | |
| B | Revised RFA-1979 | K.Y | AT | 5/2/82 | 承認： 2/23/81 | 名称： | 3極シールドビーム・コネクタ | |
| A1 | REVISED RFA-1892 | | AT | 10/2/81 | | | | |
| A | 改訂 RFA-590 | K.O | AT | 12/20/82 | | | | |
| O | 作成 | AW | AT | 2/23/81 | | | | |
| 改訂 | 改訂記録 | 作成 | 検閲 | 承認 | 年月日 | | | |
| 配布 | 昭和56年2月23日 制定 | 11頁中1頁 | | A. Tomita | | | | |

5. 構造，形状及び寸法

- 5.1 リセプタクル： 構造，形状及び寸法は，該当する図面に合致していること。
電線に圧着された後，ハウジングに収容されて使用されるメスコンタクトで，嵌合相手タブコンタクトと固定保持できるロッキング機構を有する。
ロッキング機構を解除するには，ハウジングのロッキングレグを押して引抜けが良い。ロッキング機構は，2ヶ所のロッキングレグを押さないかぎり常時作用する構造となっている。
- 5.2 ハウジング： 構造，形状及び寸法は，該当する図面に合致していること。
上部にある突起がリセプタクルのローリングにロックし，固定保持される。リセプタクルをハウジングから抜き出す時には，上部突起を引抜工具で押し上げロックをはずしてリセプタクルを引き抜く。

6. 使用条件

- 6.1 使用温度範囲
- 30 ~ 105 °C (周囲温度+通電による温度上昇)
- 6.2 適用電線範囲 (JIS-C-3406 自動車用低圧電線)

| | | |
|----|--------------------------|---------------------------|
| 電線 | 型番 | 170381, 172795, 172796 |
| | 電線サイズ (mm ²) | 0.5 ~ 2 |
| | 被覆外径 (mm) | 2.2 ~ 3.4 |

7. 性能及び試験方法

- 7.1 性能
第7.2項「試験方法」及び第7.3項「試験順序」に基づき試験した結果，第2表の性能を満足すること。
- 7.2 試験方法
- 7.2.1 外観
外観を目視および触覚により観察し，有害な亀裂，割損，破損，がた，部品のはずれ，錆，溶解，および変形等の有無を確認する。

分類：

製品規格

標準の名称：

3極シールドビーム・コネクタ

標準のコード：

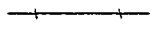
108-5131

改訂

B2

2頁

11頁中

| 項目 | 試験方法 | 初期性能 | 耐久・環境試験後の性能 |
|------------|--------|---|-------------------------------|
| 外観 | 7.2.1 | 亀裂，割損，破損，がた，部品のはずれ，錆び，溶解等で機能を損う欠点のないこと。 | |
| コネクタ挿入力 | 7.2.2 | 3極：59N 以下 | |
| コネクタ引抜力 | 7.2.3 | 3極：49N 以下 | |
| ローレベル抵抗 | 7.2.4 | 3 mΩ以下 | 10 mΩ以下 |
| 総合抵抗 | 7.2.5 | 3mV/A以下 | 10mV/A以下 |
| 絶縁抵抗 | 7.2.6 | 100 MΩ以上 | |
| 耐電圧 | 7.2.7 | 絶縁破壊がないこと | |
| リロック電流 | 7.2.8 | 3 mA以下 | |
| コンタクト保持力 | 7.2.9 | 59N 以上 | |
| コンタクトロック強度 | 7.2.10 | 98N 以上 | |
| 挿抜のフィーリング | 7.2.11 | 有害なひっかかりがないこと | |
| 圧着部引張強度 | 7.2.12 | 0.5 mm ² - 88N | 以上 |
| | | 0.85 mm ² - 127N | 以上 |
| | | 1.25 mm ² - 176N | 以上 |
| | | 2 mm ² - 265N | 以上 |
| こじり耐久 | 7.2.13 |  | 第6表に示す順序で試験を行なったとき、性能を満足すること。 |
| カレントサイクル | 7.2.14 | | |
| 振動 | 7.2.15 | | |
| 衝撃 | 7.2.16 | | |
| 温度上昇 | 7.2.17 | | |
| 高温放置 | 7.2.18 | | 60℃以下 |
| 低温放置 | 7.2.19 | | 第6表に示す順序で試験を行なったとき、性能を満足すること。 |
| 熱衝撃 | 7.2.20 | | |
| 耐湿 | 7.2.21 | | |
| 耐塵 | 7.2.22 | | |
| 塩水噴霧 | 7.2.23 | | |

第2表

| | | | | |
|-------------|--------------------------|---------------------|----------|------------|
| 分類： 製品規格 | 標準の名称： 3極シールドビーム・コネクタ | 標準のコード： 108-5131 | 改訂 B2 | 3頁 11頁中 |
|-------------|--------------------------|---------------------|----------|------------|

7.2.2 コネクタ挿入力

タブコンタクトまたはコネクタの一方を固定し、他方を軸方向に毎分約 100 mm の一定速度で操作する。

7.2.3 コネクタ引抜力

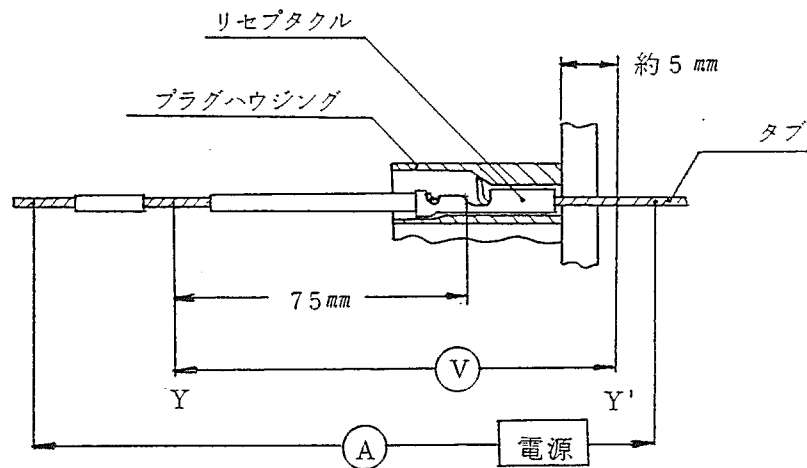
タブコンタクトまたはコネクタの一方を固定し、他方を軸方向に毎分約 100 mm の一定速度で操作する。なお、コンタクトのロック機構は作用させないで行なう。

7.2.4 ローレベル抵抗

コンタクトまたはコネクタを嵌合した状態で、開放電圧 $\text{DC } 20 \pm 5\text{ mV}$ 、短絡電流 $10 \pm 0.5\text{ mA}$ を通電し、端子の温度が安定した後、圧着部より 75 mm 離れた点で抵抗を測定する。

(第1図の Y - Y' 間)

ローレベル抵抗は、Y - Y' 間の抵抗から 75 mm の電線の抵抗分を差引いて算出する。



第 1 図

7.2.5 総合抵抗

コンタクトまたはコネクタを嵌合した状態で、開放電圧 $\text{DC } 12 \pm 1\text{ V}$ 、短絡電流 $1 \pm 0.05\text{ A}$ を通電し、端子の温度が安定した後、圧着部より 75 mm 離れた点で電圧降下を測定する。

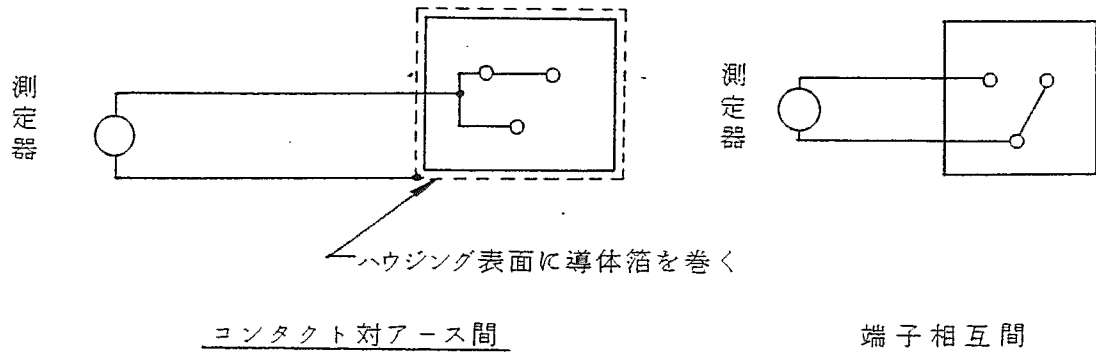
(第1図の Y - Y' 間)

総合抵抗は Y - Y' 間の電圧降下から 75 mm の電線の電圧降下を差引いて算出する。

| | | | | |
|------|-----------------|----------|----|-------|
| 分類： | 標準の名称： | 標準のコード： | 改訂 | 4 頁 |
| 製品規格 | 3 極シールドビーム・コネクタ | 108-5131 | B2 | 11 頁中 |

7.2.6 絶縁抵抗

コネクタを嵌合した状態で、第2図の如くコンタクト対アース間および隣接する端子相互間を測定する。測定電圧はDC500Vとする。



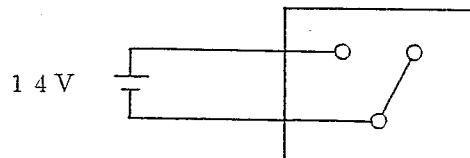
第 2 図

7.2.7 耐電圧

コネクタを嵌合した状態で第2図の如くコンタクト対アース間および隣接する端子相互間に商用周波数のAC1000Vを1分間印加する。

7.2.8 リーク電流

試験方法7.2.2.1耐湿を行ったのち、取り出して第3図に示す回路でDC14Vの電圧を印加する。



第 3 図

7.2.9 コンタクト保持力

ハウジングに約100mmの長さ、 0.85mm^2 以上の断面積の電線を圧着したコンタクトが組込まれたコネクタを固定し、電線を嵌合軸方向へ毎分約100mmの一定速度で引張り、コンタクトがハウジングから抜けた時の荷重を測定する。

7.2.10 コンタクトロック強度

ハウジングに約100mmの長さ、 1.25mm^2 以上の断面積の電線を圧着したコンタクトが組込まれたコネクタを嵌合し、ロック機構の作用した状態でタブ側を固定し、電線を嵌合軸方向に毎分約100mmの一定速度で引張り、ロック機構の外れ又は破損して嵌合の外れた時の荷重を測定する。

| | | | | |
|------|----------------|----------|----|------|
| 分類： | 標準の名称： | 標準のコード： | 改訂 | 5頁 |
| 製品規格 | 3極シールドビーム・コネクタ | 108-5131 | B2 | 11頁中 |

7.2.11 挿抜のフィーリング

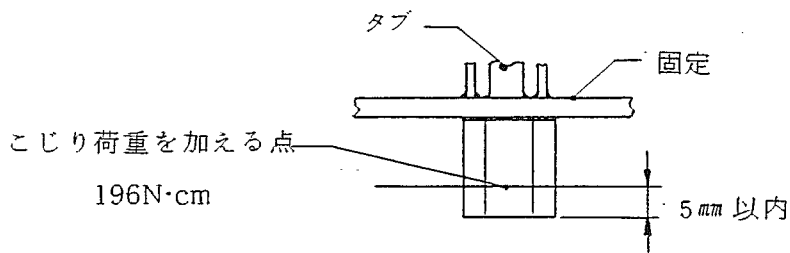
コンタクト又はコネクタの挿入、引抜きを手動にて行ない、そのフィーリングを触感にて確認する。

7.2.12 圧着部引張強度

約100mm長さの電線を圧着したコンタクトを固定し、電線を軸方向に毎分約100mmの一定速度で引張り、電線の破断又は圧着部から電線の引抜けた時の荷重を測定する。

7.2.13 こじり耐久

コネクタの一方を固定し、他方を正規に嵌合した状態で、第4図に示す要領で前後方向に196N・cmの力を2回加える。次に1mm引抜き、前後方向に196N・cmの力を2回加える。これを端子が抜けるまで1mmずつ引き抜いて行なう。これを1サイクルとして25サイクル行なう。さらに、左右方向についても前後方向と同様に行なう。



第4図

7.2.14 カレントサイクル試験

コネクタを嵌合した状態で全極に第3表の電流を通電する。通電方法は、45分間通電、15分間休止を1サイクルとし、これを200サイクル行なう。測定は、50, 100, 150, 200サイクル終了後に行なう。試験中は無風状態で行なう。

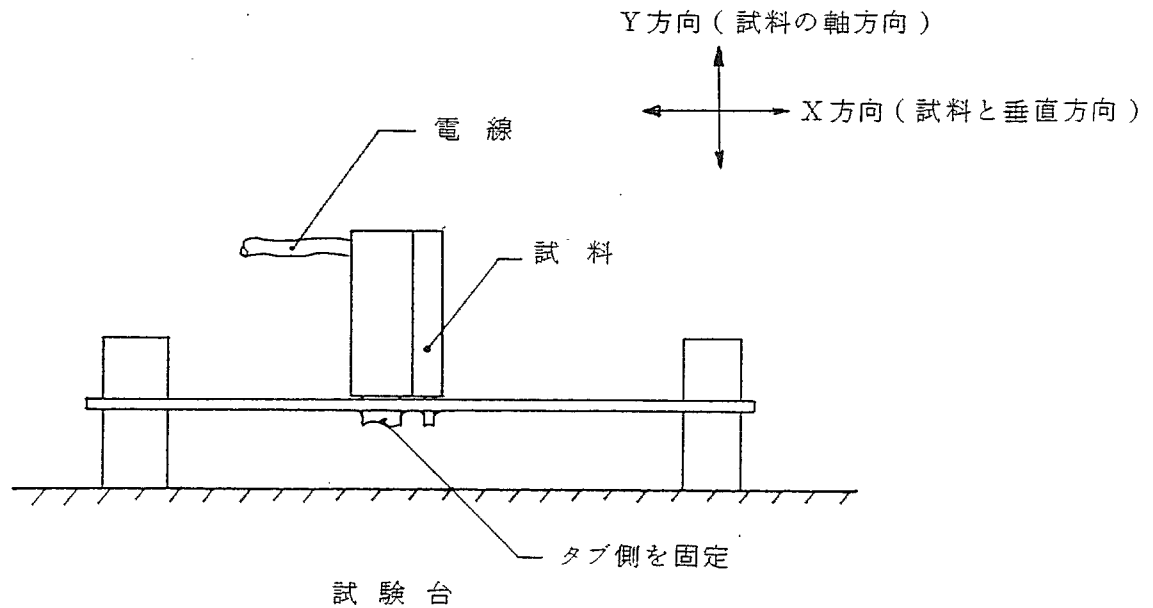
| 電線サイズ (mm ²) | 電流値 (A) |
|--------------------------|---------|
| 0.5 | 8.25 |
| 0.85 | 11.25 |
| 1.25 | 14.25 |
| 2 | 18.75 |

第3表

7.2.15 振動試験

コネクタを嵌合，全極直列に接続し，開放電圧DC 12V，短絡電流1Aを通电した状態で第5図の如く振動試験機に取り付ける。振動加速度は 44m/s^2 ，振動周波数は、20~200 Hzを往復1分間でスイープさせる。(4.5G)

これをX，Y方向各4時間、合計8時間行い $1\mu\text{sec}$ 以上の瞬断の有無を観察する。



第5図

7.2.16 耐衝撃性

コネクタを嵌合，全極直列に接続し、開放電圧DC 12V以下，短絡電流1A以下を通电した状態で第5図の如く、SAEJ577による試験装置に取付け、振動数 12.5Hz，カム落下 3.2mm，衝撃台の端でのスプリング張力 265-314N でX，Y方向各1時間行ない、20msec以上の瞬断の有無を確認する。瞬断の検知レベルは、1V/Aの電圧降下に設定。

7.2.17 温度上昇試験

コネクタに第3表に示す電流を通电し、温度が飽和したときの端子圧着部の表面温度を測定する。試験中は無風状態であること。

7.2.18 高温放置試験

恒温そう内にコネクタを120時間放置し、その後取り出して常温に戻るまで放置する。恒温そう内の温度は $80\pm 1^\circ\text{C}$ とする。

| | | | | |
|------|----------------|----------|----|-----|
| 分類： | 標準の名称： | 標準のコード： | 改訂 | 7頁 |
| 製品規格 | 3極ジールドビーム・コネクタ | 108-5131 | B2 | 1頁中 |

7.2.19 低温放置試験

恒温そう内にコネクタを120時間放置し、その後取り出して常温に戻るまで放置する。恒温そう内の温度は $-30 \pm 5^{\circ}\text{C}$ とする。

7.2.20 熱衝撃

コネクタを嵌合した状態で、第5表に示す試験を1サイクルとして、これを100サイクル行なった後、室温に戻る迄放置する。

| 試験順序 | 試験方法 |
|------|---------------------------------|
| 1. | $80 \pm 1^{\circ}\text{C}$ 1時間 |
| 2. | 室温 5分以内 |
| 3. | $-30 \pm 5^{\circ}\text{C}$ 1時間 |
| 4. | 室温 5分以内 |

第5表

7.2.21 耐湿試験

温度 $60 \pm 5^{\circ}\text{C}$ 、湿度90~95%の湿度そう内に、コネクタを落下する水滴が附着しないように吊し、96時間放置する。試験中は、コネクタの各極間に第3図に示す回路でDC14Vの電圧を印加する。

7.2.22 耐じん試験

縦、横、高さが900~1200mmの密閉タンク内にコネクタを吊し、関東ローム粉1.5kgを15分ごとに10秒間圧縮空気を噴射させ、ファンなどで一様に拡散させる。30分~1時間ごとに1回掃抜を行い、これを4回行う。

7.2.23 塩水噴霧

密閉タンク内にコネクタを吊し、温度 $35 \pm 5^{\circ}\text{C}$ 、塩水濃度 $5 \pm 1\%$ 、比重 $1.0268 \sim 1.0413$ 、PH6.5~7.2の塩水を68.6-177KPaの圧力で24h噴霧させ、その後コネクタを湿度そう内に吊し、 $80 \pm 5^{\circ}\text{C}$ 、湿度90~95%RHで24h放置する。その後常温で乾燥後測定をする。塩水噴霧中は、コネクタの各極間に第3図に示す回路で14Vの電圧を印加する。

7.3 試験順序

試験順序は、第6表に示すグループの順序に従って行なうものとする。

| 区 分 項 目 | グループ | 試 験 順 序 | | | | | | | | | | | | | | | | | |
|------------|------|---------|----|---|---|-----|---|---|----|--|---|---|----|----|----|---|---|---|--|
| | | I | II | | | III | | | IV | | | V | | | VI | | | | |
| 外 観 | | 1 | | | | | | | | | | | | | | | | | |
| コネクタ挿入力 | | | | | | | | | | | 1 | 7 | 11 | | | | | | |
| コネクタ引抜き | | | | | | | | | | | 3 | 6 | 10 | | | | | | |
| ローレベル抵抗 | | | | | | | | | | | 2 | 5 | 9 | 13 | 1 | 3 | 6 | 8 | |
| 総合抵抗 | | | 1 | 3 | 5 | 7 | 1 | 3 | 5 | | | | | | | | | | |
| 絶縁抵抗 | | 3 | | | | | | | | | | | | | | | | | |
| 耐電圧 | | 4 | | | | | | | | | | | | | | | | | |
| 挿抜のフィーリング | | 2 | | | | | | | | | | | | | | | | | |
| 圧着部引張強度 | | | | | | | | | | | | | | | | | | 1 | |
| コンタクト保持力 | | 5 | | | | | | | | | | | | | | | | | |
| コンタクトロック強度 | | | | | | 8 | | | | | | | | | | | | | |
| こじり耐久 | | 2 | | | | | | | | | | | | | | | | | |
| 振動 | | | | 4 | | | | | | | | | | | | | | | |
| カレントサイクル | | | | | 6 | | | | | | | | | | | | | | |
| 耐衝撃 | | | | | | | | 2 | | | | | | | | | | | |
| 温度上昇 | | | | | | | | | 4 | | | | | | | | | | |
| 高温放置 | | | | | | | | | | | 4 | | | | | | | | |
| 低温放置 | | | | | | | | | | | | 8 | | | | | | | |
| 熱衝撃 | | | | | | | | | | | | | | | 2 | | | | |
| 耐湿 | | | | | | | | | | | | | | | | 4 | | | |
| リーク電流 | | | | | | | | | | | | | | | | | 5 | | |
| 耐塵 | | | | | | | | | | | | | | | | | | 7 | |
| 塩水噴霧 | | | | | | | | | | | | | 12 | | | | | | |

第 6 表

分類：

製品規格

標準の名称：

3極シールドビーム・コネクタ

標準のコード：

108-5131

改訂

B2

9頁

11頁中

8. 品質保証条件

8.1 試験条件

特に指定のない場合は、下記に示す環境条件のもとで性能試験を行なうものとする。

| | |
|------|---------------------------|
| 温度 | 15 ~ 35℃ |
| 相対湿度 | 45 ~ 75% |
| 気圧 | 86.7-107kPa (650-800mmHg) |

8.2 試験

8.2.1 試料

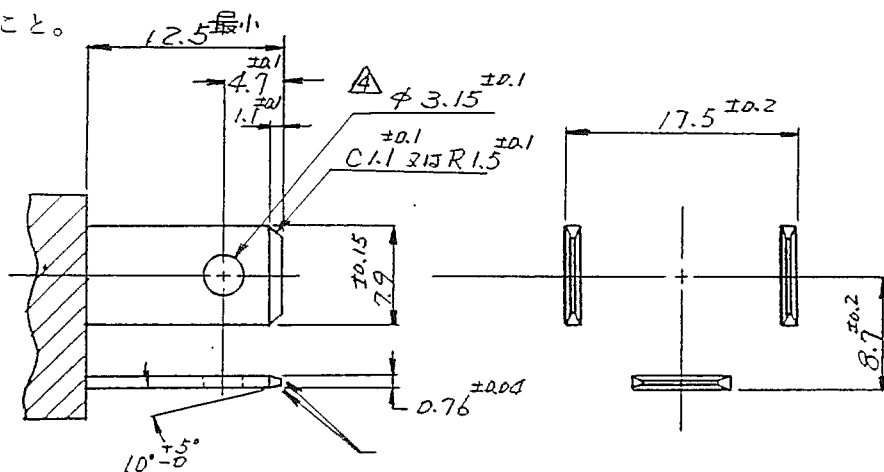
性能試験に用いる試料は、第7表に示す電線に「.312シリーズ ポジティブブロック・リセプタクル取付適用仕様書114-5047又は114-5079 (旗型)」に基づいて圧着した正規の試料であること。いずれの試料も規定された順序以外の他の試験に用いてはならない。

8.2.2 試料数

性能試験に用いる試料数は各グループ毎に、コンタクト単体の場合10セット、コネクタの場合2セット以上で行なうものとする。

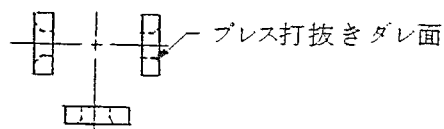
8.2.3 相手タブコンタクト

性能試験に使用する相手タブコンタクトは第6図に示す寸法のものを使用すること。



1. 材料：JIS-H-3100 C26001/2H
2. ダブ加工及び組立に際してはバリ及びソリの発生をさけて下さい。
3. 孔の心振れはタブの中心線に対して0.1mm以内の事。
4. 組立時プレス打抜きダレ面は下図に従い外側

になる様組立て下さい。やむを得ず組立時ダレ面が内側になる場合0.1最大とする。



第6図

| | | | | |
|------|----------------|----------|----|-----|
| 分類： | 標準の名称： | 標準のコード： | 改訂 | 10頁 |
| 製品規格 | 3極シールドビーム・コネクタ | 108-5131 | B2 | 1頁中 |

8.2.4 使用電線

性能試験に用いる電線は、第7表に示す電線にて行なうものとする。

| 電線サイズ (mm^2) | 素線構成 (素線数/素線径) | 計算断面積 (mm^2) | 絶縁被覆 仕上り外径 (標準mm) | 電線規格 |
|---------------------|-------------------|---------------------|-------------------------|----------------------------|
| 0.5 | 7/0.32 | 0.56 | 2.2 | JIS-C-3406 自動車用 低圧電線 |
| 0.85 | 11/0.32 | 0.88 | 2.4 | |
| 1.25 | 16/0.32 | 1.29 | 2.7 | |
| 2 | 26/0.32 | 2.09 | 3.1 | |

第7表

9. 取扱い上の注意事項

9.1 圧着及び取扱い

ハウジングとコンタクトの保持性能及びコネクタの接触性能を維持するため、コンタクトの圧着は「312シリーズポジティブロック・リセプタクル取付適用仕様書114-5047又は114-5079(旗型)」の規定に基づいて作業を行なうこと。

10. 参考規格

| | | |
|------------------------|---|------------------------------|
| JASO D605-74 (7002) | ： | 「自動車用多極コネクタ」 |
| JASO 7101 | ： | 「プラスチック成形部品の試験方法」 |
| JIS C 3406 | ： | 「自動車用低圧電線」 |
| JIS D 0204 | ： | 「自動車部品の高温および低温試験方法」 |
| JIS D 1601 | ： | 「自動車部品振動試験方法」 |
| JIS D 5504 | ： | 「自動車用シールドビームヘッドランプ」 |
| JASO 6608 | ： | 「自動車用シールドビームヘッドランプ」 |
| SAE : J571 | ： | 「SEALED BEAM HEADLAMP UNITS」 |

| | | | | |
|-------------|--------------------------|---------------------|----------|-------------|
| 分類： 製品規格 | 標準の名称： 3極シールドビーム・コネクタ | 標準のコード： 108-5131 | 改訂 B2 | 11頁 11頁中 |
|-------------|--------------------------|---------------------|----------|-------------|