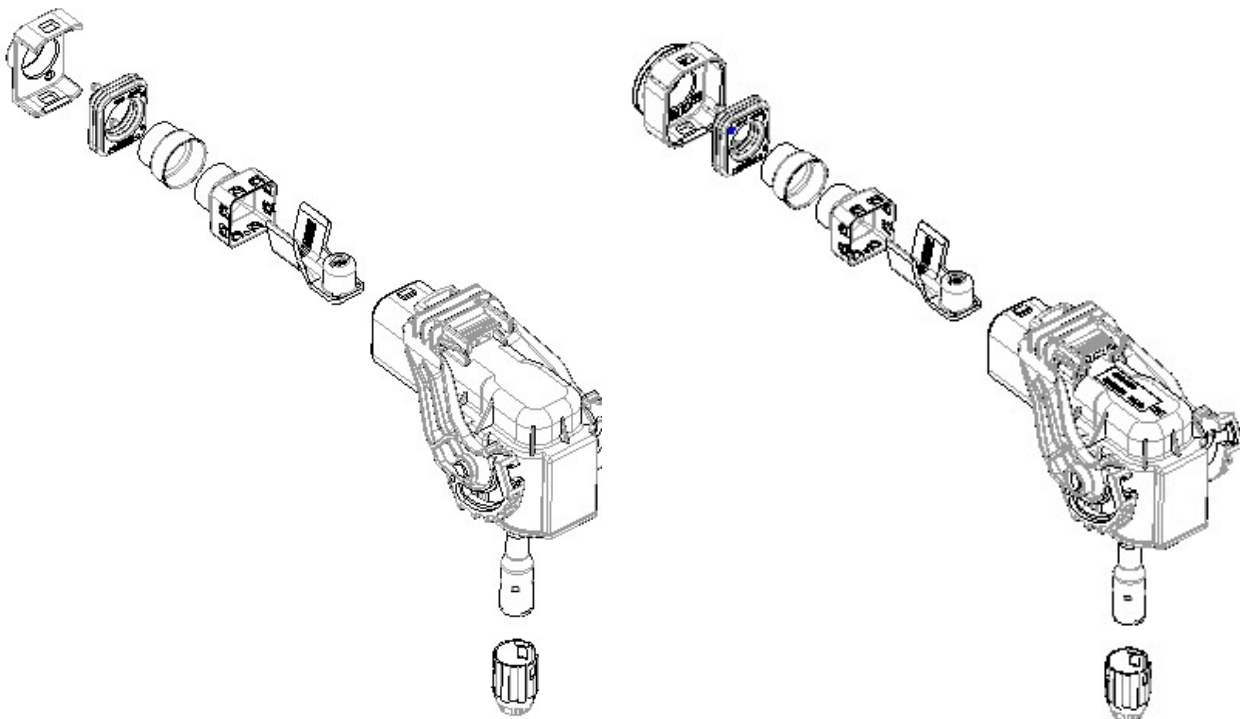


P2P 1POS 90DEG HV Plug



	SIGNATURE	DATE
PR	F. SUN	15JUN2019
CHK	E. JIANG	16JUN2019
APP	I. YIN	16JUN2019

CONTENTS

Revision History.....	3
1. SCOPE	4
1.1 Content	4
1.2 Processing notes	4
2. APPLICABLE DOCUMENTS	4
2.1 TE Connectivity Documents	4
2.1.1 Customer drawings	4
2.1.2 Specifications	6
2.2 General Documentation	6
2.2.1 Cable Specification	6
3. CONDITION OF DELIVERY AND PACKAGING	6
3.1 Components	6
3.2 Packaging and Storage	7
4. APPLICATION TOOLS	7
4.1 HV 8mm Contact	7
4.2 Shielding	7
5. ASSEMBLY INSTRUCTIONS	8
5.1 Shielded cable and terminal assembly	9
5.1.1 Contact crimp	10
5.1.2 Shielding crimp	10
5.2 Receptacle Housing	12
5.2.1 Insert cable assembly into the Receptacle Housing.....	12
5.2.2 Assembly single wire seal and protection cover	13
5.2.3 Insert contact pin	14
5.2.4 Mounting finger protection cap	14
6. FINAL EXAMINATION	16
6.1 Visual Examination	16
6.2 Electrical Tests	16
7. LOCKING MECHANISM WITH LEVER AND CPA	16
8. APPENDIX	19



- ◆ This connector is intended for use in high-voltage applications. Special care must be applied to ensure that the connector functions as intended.
- ◆ If you suspect that the connector has been modified, damaged, contaminated or other wise compromised, please discontinue it use immediately.
- ◆ This connector should only be serviced by a trained and qualified technician.

1. SCOPE

1.1 Content

This specification covers the requirements for application of the sealed P2P 1position 90DEG high voltage connector. The P2P connector system is designed to meet AK 4.3.3, LV215-1 specifications and for a metric wire size range of 25mm² up to 50mm² (acc. to LV216-2). The connector incorporates conductive EMI shields to reduce radiated emissions in the application.

The P2P connector is available for 6 different keying or polarizing configurations with a lever for low mating / unmating forces. The connector system incorporates the 8mm power contacts and an integrated High Voltage Interlock (HVIL) System. The housings are molded in orange to denote a high voltage system.

1.2 Processing notes

The processor is responsible for ensuring the quality of the manufacturing process and the proper function of the system. The warranty and liability is excluded, if quality deficiency or damages occurs by failing compliance to this specification or using not specified, not released tools and not released connector components.

2. APPLICABLE DOCUMENTS

The following mentioned documents are part of this specification. If there is a conflict between the information contained in the documents and this specification or with any other technical documentation supplied, the last valid customer drawings takes preference.

2.1 TE Connectivity Documents

This Application Specification based on the latest valid customer drawings.

2.1.1 Customer drawings

Table 1: Customer drawings

Plug Assy:	
2324136	P2P 1P PLUG 90DEG ASSY

2324138	P2P 1P PLUG HSG 90DEG ASSY
Header Assy	
2324108	P2P 1P HEADER ASSY
Single Components	
2303018	Protection Cover
2141156	Single Wire Seal
2307011	Shield Crimp Ferrule
2141158	Shielding Sleeve
2303272	Finger protection cap
2141211	Deep drawn socket, 90 deg, Assy
2141212	Deep drawn socket, Pin 90 deg, Assy
1418760	HVIL-Contacts, Tab contact 1.2mm
Application tools	
528008-4	HV-Crimping machine
541868-1	Die-Set holder for HV-Crimping machine
528040-2	Table frame for hand tool
9-1579009-1	Hydraulic hand tool
1-528041-5 1-528041-3 1-528041-2	Die-Set with locator

2.1.2 Specifications

Table 2: TE-Specifications

Specification	Description
108-94256	Product Specification HV 8MM 90DEG CONTACT
108-18782	Product Specification MCON-1.2 Contact System
114-94083	Application Specification HV 8MM 90DEG CONTACT
114-18464	Application Specifications MCON-1.2 Contact System
108-101439	Product Specification P2P 1POS 90DEG HV PLUG AND HEADER

2.2 General Documentation



2.2.1 Cable Specification







The connector is designed to meet LV216-2 specification for metric wire range 25 up to 50mm². Cable Specification acc. To the appendix.

3. CONDITION OF DELIVERY AND PACKAGING

3.1 Components

Table 3 shows the required components for assembly of P2P 1P plug.

TE-P/N	Description	Qty.	Picture of V0 verion
2324138	P2P 1P PLUG HSG 90DEG ASSY	1	
2303018	Protection Cover	1	

2141156	Single wire seal	1	
2307011	Shield crimp ferrule, 90deg	1	
2141158	Shielding sleeve, 90deg	1	
2303272	Finger protection cap	1	
2141211	Deep drawn socket, 90deg, Assy	1	
2141212	Deep drawn socket, Pin 90Deg, Assy	1	

3.2 Packaging and Storage

The products should be used on a “first in, first out” basis to avoid storage contamination, see latest valid customer drawings too.

4. APPLICATION TOOLS

The Application tools are only valid for the specified cables at appendix. More tooling information can be obtained through a local TE Representative or, after purchase, by calling the product information Center at the number at the bottom of cover page.

4.1 HV 8mm Contact

See latest valid TE-Application specification 114-94083

4.2 Shielding

The following table contains the required order numbers for application devices and tools.

Table 4: Application devices and tools.

Wire size *[mm ²]	50	35	25
Die-Set, locator	1-528041-2	1-528041-3	1-528041-5

Hand processing	Table frame 528040-2
	Hydraulic plier 9-1579009-1
Machine processing	Die-Set holder for crimp machine 541868-1
	Crimp machine 528008-4

* Wire design according to LV216-2

5. ASSEMBLY INSTRUCTIONS

The following procedures show the details of the cable assembly and insertion instructions of the cable assembly into the receptacle housing subassembly. The processing is only valid for the specified cable at appendix and only these combinations have been validated by TE. Alternative cables may be used after ensuring performance through validation testing.

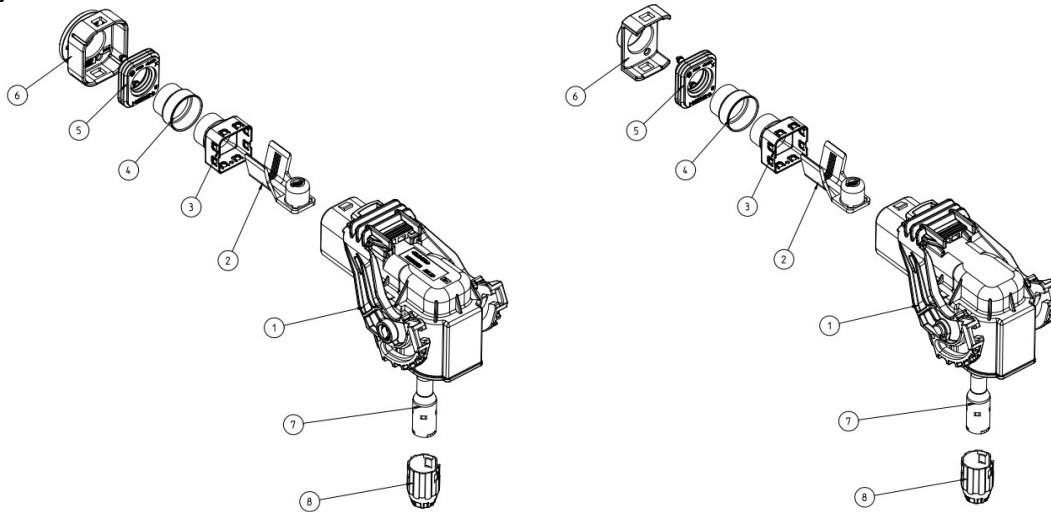


Figure 1: Exploded view plug assembly

Table 5: Components

(ID)	TE-P/N	Description
1	2324138	P2P 1P PLUG HSG 90DEG ASSY
2	2141211	DEEP DRAWN SOCKET 90DEG
3	2141158	SHIELDING SLEEVE 90DEG
4	2307011	SHIELDING CRIMP FERRULE 90DEG
5	2141156	SINGLE WIRE SEAL
6	2303018	PROTECTION COVER
7	2141212	DEEP DRAWN SOCKET, PIN 90DEG, ASSY
8	2303272	FINGER PROTECTION CAP 8MM HV 90DEG

5.1 Shielded cable and terminal assembly

Safety information, avoid prolonged or repeated skin with silver shieldings (wear protective gloves).

Please note, the procedure of assembly the shielded cable is provided in two documents, the following steps shows the assembly without contact processing.

In order shown in figure 2, slide protection cover, single wire seal, shield crimp ferrule 90deg and shielding sleeve 90deg onto cable sheath, so that they are not in crimp work area.

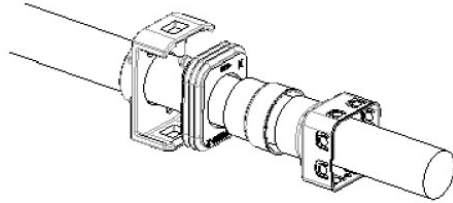


Figure 2: Before processing slide components onto cable sheath

Strip and remove outer sheath, screening braid (if present screening foil), inner sheath and conductor from the end as shown in figure 3.

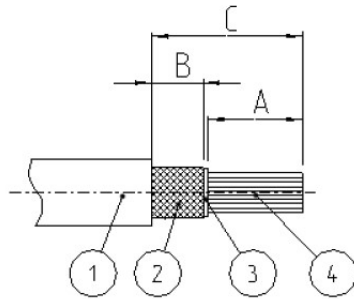


Figure 3: Cutting cable to length

Stripping dimensions for exposing cable.



Attention: Cable sheath and shielding braid shall not be cut or broken during the cutting procedure.

Table 6: Cutting dimensions

(ID)	Cable	A [mm]	B [mm]	C [mm]
1	Outer sheath	--	--	32±1
2	Screening braid	--	(11)	--
3	Inner sheath	See TE spec 114-94083	--	--
4	Conductor	--	--	--

Comb out screening braid, this step must not be done for cables shown in chapter appendix.



Attention: Shielding braid shall not be broken.

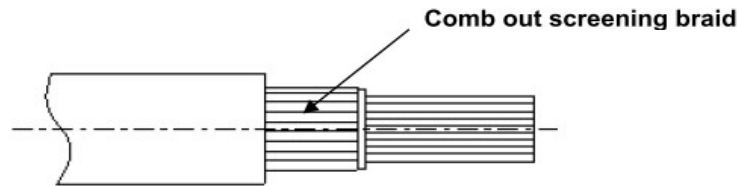


Figure 4: Comb out screening braid

5.1.1 Contact crimp

See latest valid TE-Application specification 114-94083

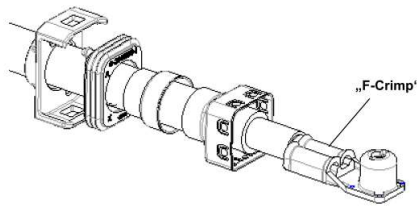


Figure 5: Contact crimp

5.1.2 Shielding crimp

Slide shielding sleeve 90deg over screening braid until it stops against the contact as shown in figure 6.

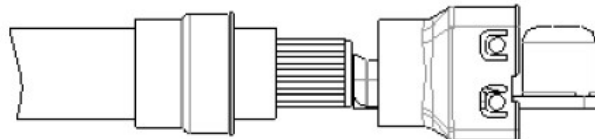


Figure 6: Prepare shielding parts for screening processing

Raising screening braid equally over perimeter.

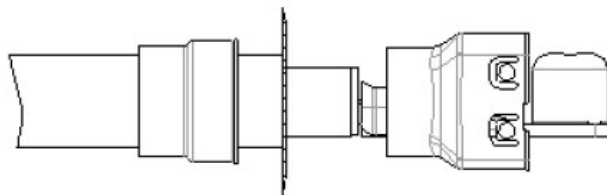


Figure 7: Processing screening braid

Insert shielding sleeve 90deg oriented to contact until it stops against shield crimp ferrule 90deg and turn over screening braid by lateral movement. Insert cable assembly into locator and crimp shielding parts.

Crimp shielding sleeve oriented to contact

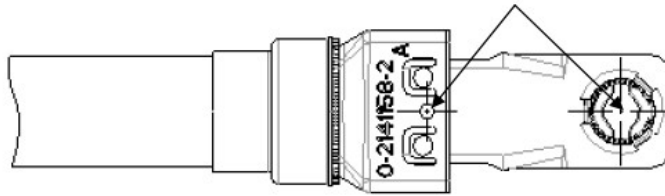


Figure 8: Shield crimp



It is essential that there are no mistakes in this step because there will be no chance to re-work the parts.

- The following items at minimum must be inspected and verified:
- All components are present and parts are crimped in correct orientation and location
- No visible cracking of the shielding parts and no loose cable shield strands
- Hex crimp dimensions per figure 10 and table 7
- Excess length of screening braid must be visible max. 5mm
- Allocation of screening braid should be equal over perimeter

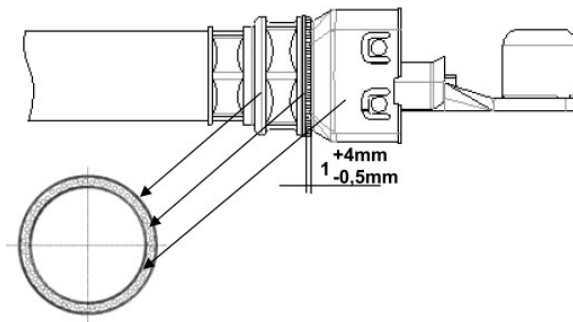


Figure 9: Visual Examination of shield crimp

The following Inspection dimensions at minimum must be verified:

Table 7: Inspection dimensions cable assembly

Wire type	Corss section [mm ²]	D±1.5 [mm]	E [mm]	F±0.2 [mm]	G±0.2 [mm]	H [mm]
Coroplast	25	28	Max. 59	12.2	16.6	Max.21
	35			14.3		
	50			15.5		

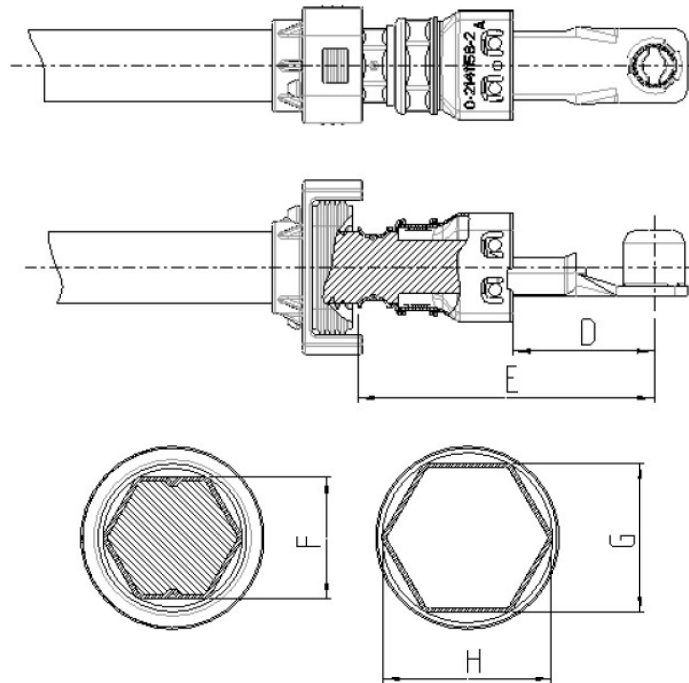


Figure 10: Inspection dimensions of shield crimp

5.2 Receptacle Housing

5.2.1 Insert cable assembly into the Receptacle Housing

Mounting single wire seal with cover seal as shown in figure 11.

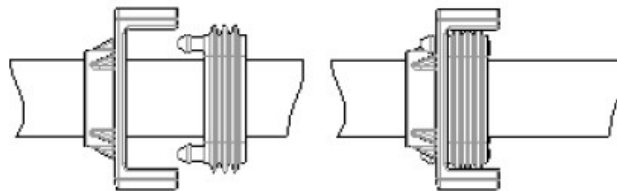


Figure 11: Mounting single wire seal on cover seal

Note the alignment of receptacle housing subassembly and cable assembly (figure 12).

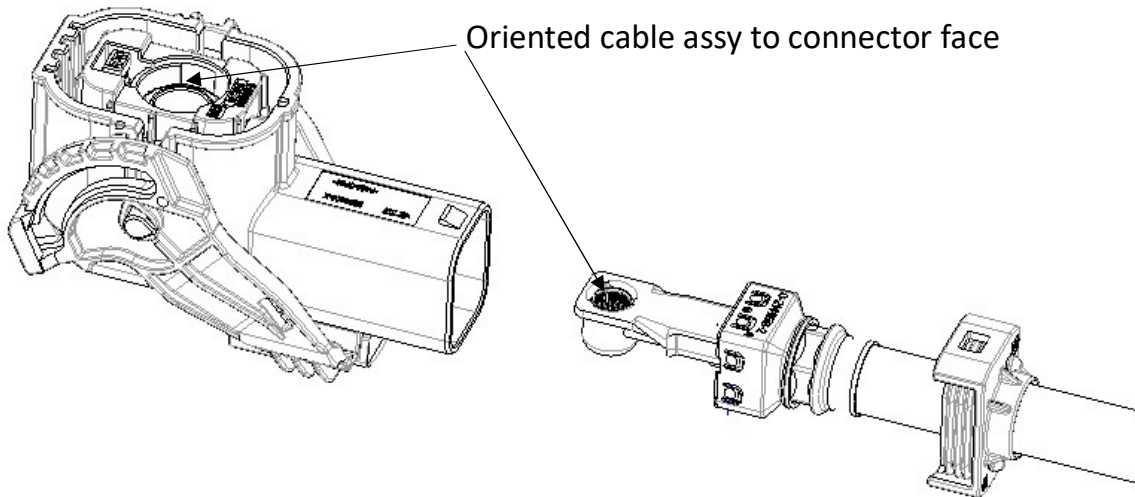


Figure 12: Oriented cable assembly to housing

Insert aligned the cable assembly into the receptacle subassembly until it stops against the inside of the housing.

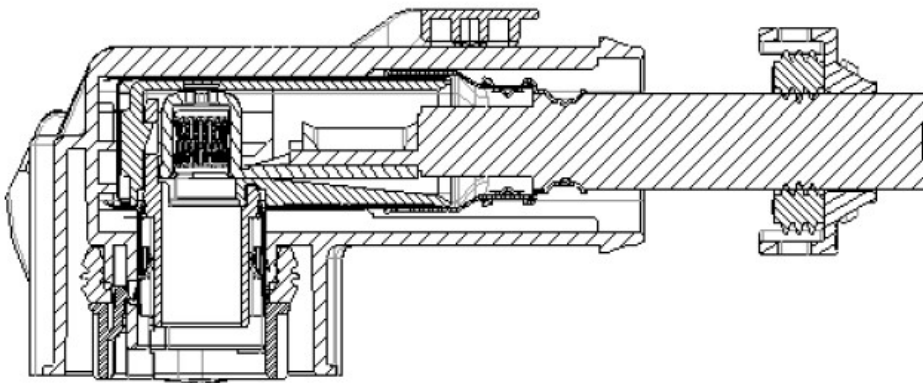
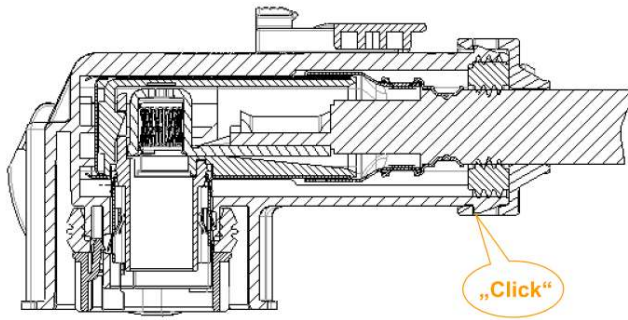
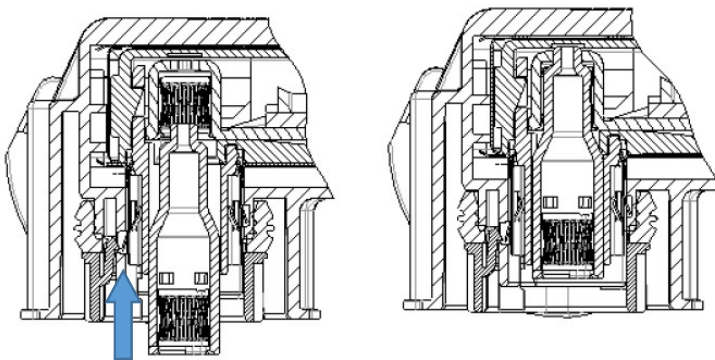


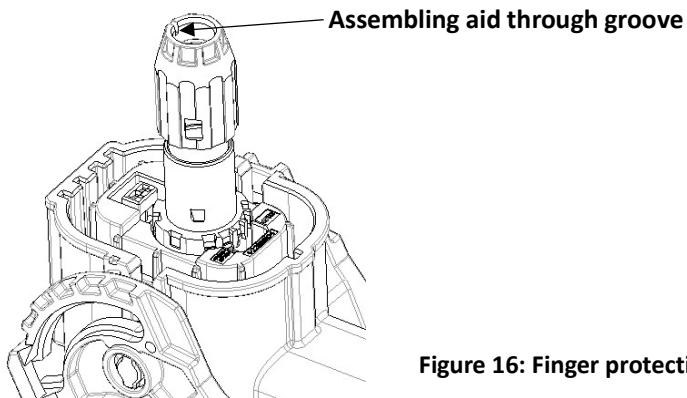
Figure 13: Insert cable assembly into the receptacle housing

5.2.2 Assembly single wire seal and protection cover

Slide single wire seal and protection cover onto receptacle housing until it is fully locked by audible latching. The following items at minimum must be inspected and verified:

Visual Examination of correct assembling single wire seal into housing**Figure 14: Assembly protection cover and single wire seal****5.2.3 Insert contact pin****Figure 15: Insert contact pin****5.2.4 Mounting finger protection cap**

Note the groove on the finger protection. For better understanding insulation part is shown in incorrect assembling position.

**Figure 16: Finger protection cap aligned to insulation part**

With the groove and rib aligned, insert finger protection cap into the receptacle housing subassembly until it is fully locked by audible latching. Note to show the latching mechanism isolation part is shown in incorrect assembling position.

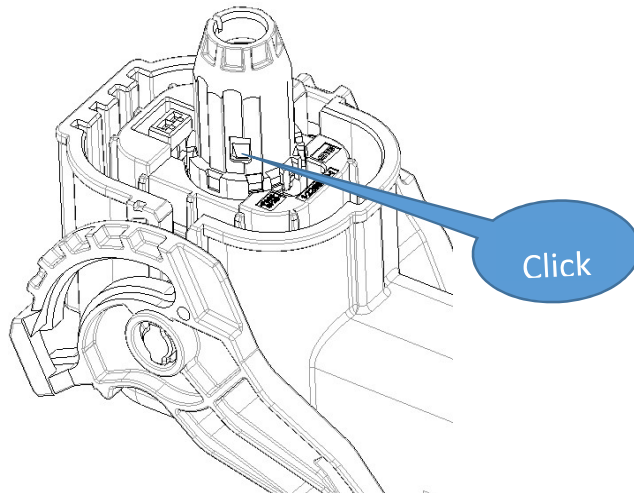


Figure 17: Mounting finger protection cap



Care should be taken to apply correct assembling of the finger protection

The following items at minimum must be inspected and verified:

All components are present

Finger protection cap fully locked in place and correct orientation (check groove figure 18)

Protection cover fully locked in place

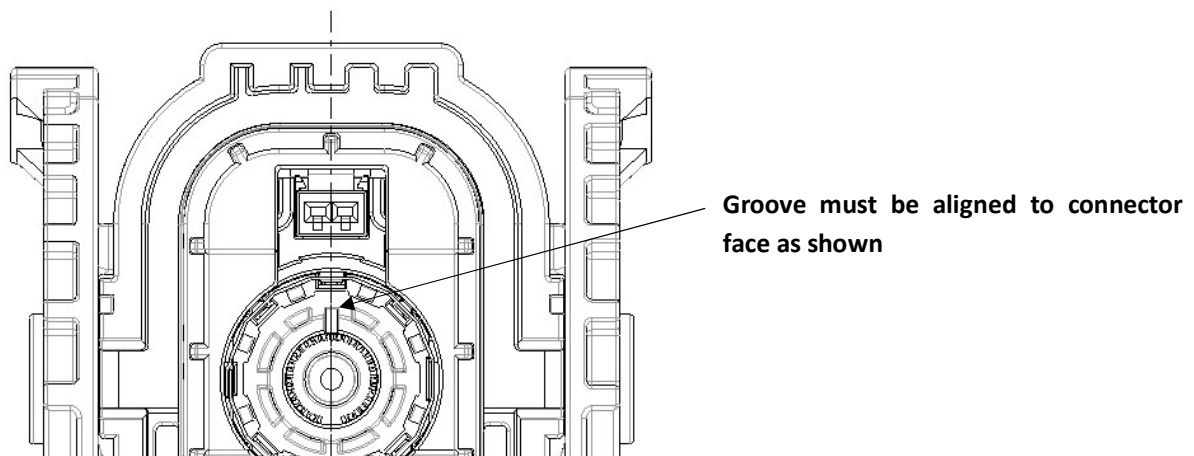


Figure 18: Visual Examination of assembled receptacle housing

6. FINAL EXAMINATION

6.1 Visual Examination

After processing the connector assembly has to be checked of completeness, correctness acc. customer drawings and free of damage.

6.2 Electrical Tests

Electrical characteristic values according product specification TE-108-101439 / chapter 3.3 are ensured by applicator. The test parameter should be not exceeding the values shown in point 3.3 TE-108-101439.

7. LOCKING MECHANISM WITH LEVER AND CPA

Delivery condition with lever and CPA in closed position. Release of the CPA by shifting CPA along the arrow-direction

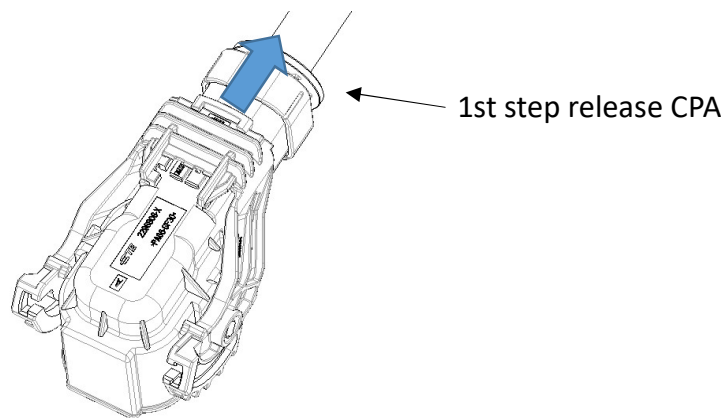


Figure 19: Delivery condition – CPA & lever closed

Release the lever by pressing down of the latch of CPA-Adapter.

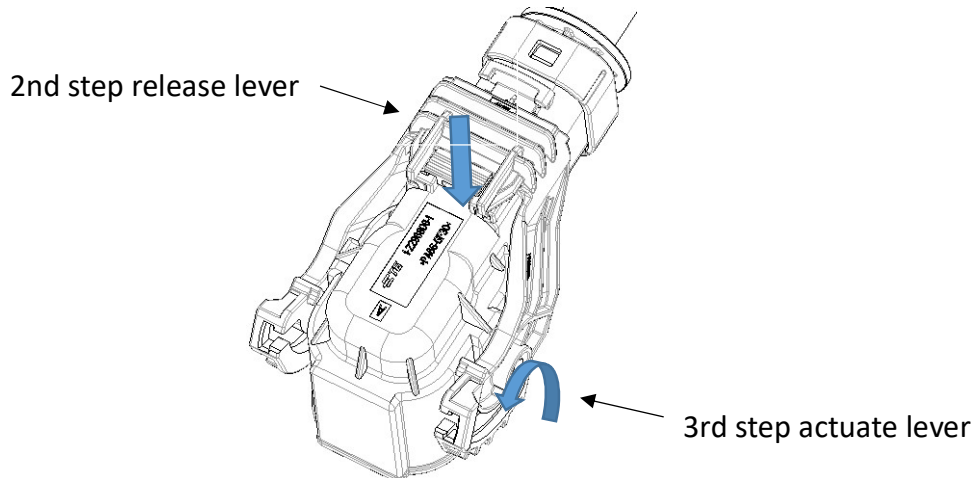
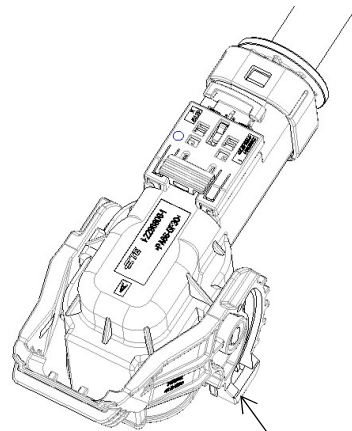


Figure 20: Release and actuate lever



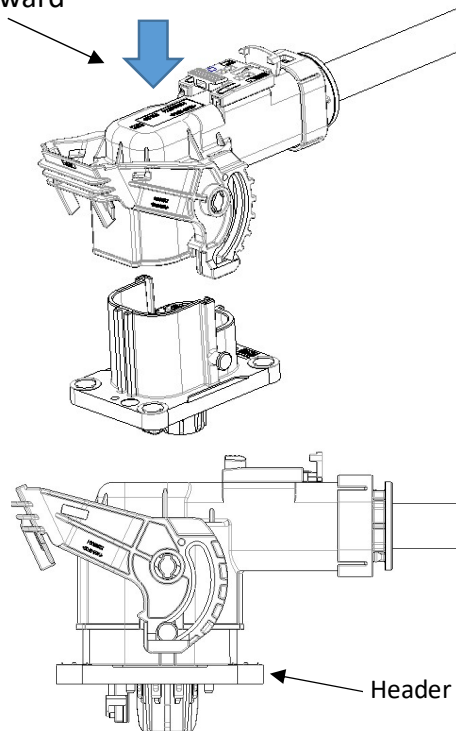
4th step open lever until audible “click”

Figure 21: Plug position of lever

Rotate lever into plug position until audible click.

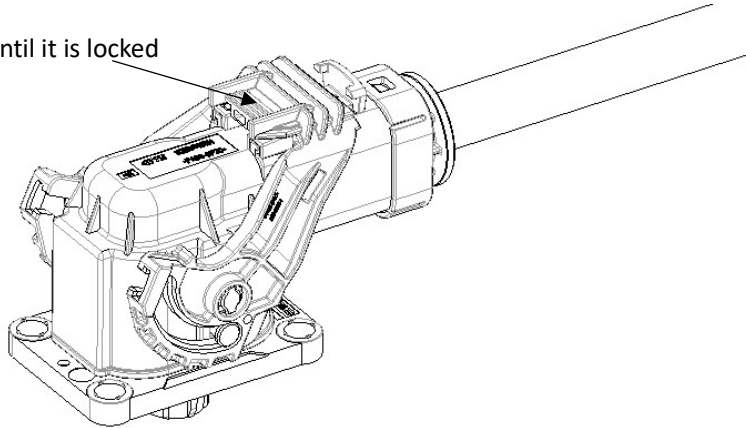
Mating of the connector:

Press straight downward



Header pivot seated in the lever slot as shown

Rotate the lever until it is locked



Push the CPA back to lock position

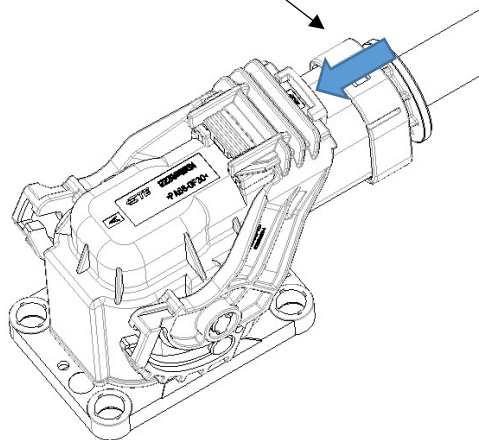


Figure 22: Mating of connector

Unmating of the connector:

Unmating of the connector is achieved by taking the reverse operation of mating process.

8. APPENDIX

8.1 Data sheets

8.1.1 Coroplast – No. 9-2611 for wire range 25 – 50mm²

Technische Information
Technical Information

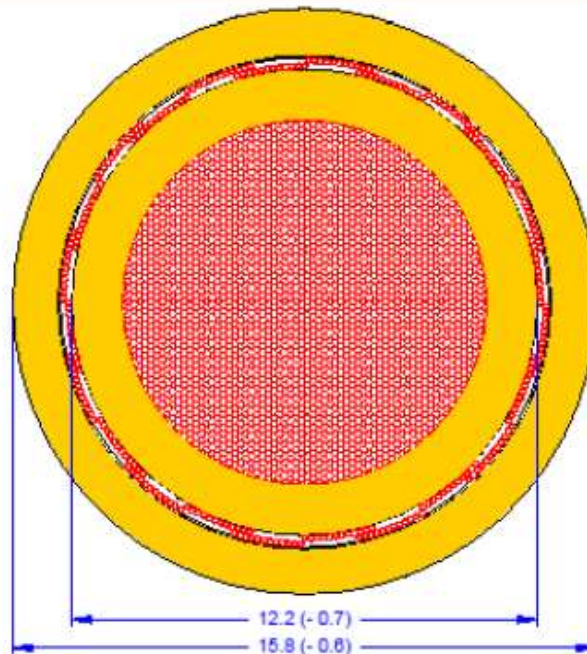
Coroplast Part No.: 9-2611 / 50 mm²
Seite / Page: 1

**Automotive Leitung geschirmt
für elektrische Fahrzeugantriebe**

FLR2GCB2G 50 mm² / 0,21

**Shielded cable for
automotive electric powertrain**

FLR2GCB2G 50 mm² / 0.21



Änderungsindex Version	Erstellt Creator	Ausgabedatum Date of Issue	Beschreibung Description
A 1	Freyth	2010-10-08	Erstausgabe / first edition
A 2	Wichmann	2010-10-18	VW N 107 756 hinzu / added VW N 107 756
A 3	Wichmann	2010-11-18	Schirmwiderstand und Leitungsgewicht hinzu added resistance of shielding and weight of cable
A 4	Wichmann	2010-11-26	Bedruck war / Marking was „ ... MAX 600 V AC ... „

Die Weitergabe dieser technischen Information an Dritte ist nicht gestattet. Eine unbefugte Weitergabe ist ggf. gemäss §18 UWG und gemäss §97 UrhG strafbar und begründet ggf. gemäss §19 UWG und gemäss §97 UrhG einen Schadensersatzanspruch. Die Produktbeschreibungen in unseren Veröffentlichungen sind nach bestem Wissen erfolgt. Sie entsprechen dem derzeitigen Stand der Technik und unserem Kenntnisstand. Bei Angaben handelt es sich um allgemeine Beschreibungen von Eigenschaften unserer Produkte, die nicht bei jedem Anwendungszweck und unter allen Bedingungen zutreffen müssen. Die Beschreibungen betreffen den Anwender nicht von eigenen Prüfungen der Produkte hinsichtlich ihrer Eignung für den beabsichtigten Anwendungszweck. In Zweifelsfällen sollte eine Abstimmung mit unserem Hause erfolgen.

It is not permitted to pass this technical information to any third parties. An unauthorized transfer is prohibited and prosecutable according to §18 UWG and §97 UrhG and could cause according to §19 UWG and §97 UrhG a claim for compensation. The product descriptions in our publications are correct to the best of our knowledge. They reflect the present state of the technology and our capabilities. The details are a general description of the characteristics of our products, which do not necessarily apply to every purpose or under all conditions. The descriptions do not release the user from the responsibility of testing of the products for suitability for the specific purpose. In cases of doubt, please contact our Service Department.

Klebebänder – Kabel – Leitungssatzsysteme
Wittener Straße 271
D-42279 Wuppertal



Wires & Cables
fon +49 (0) 202 / 2681 - 228
kabelundleitungen@coroplast.de

Technische Information
Technical Information

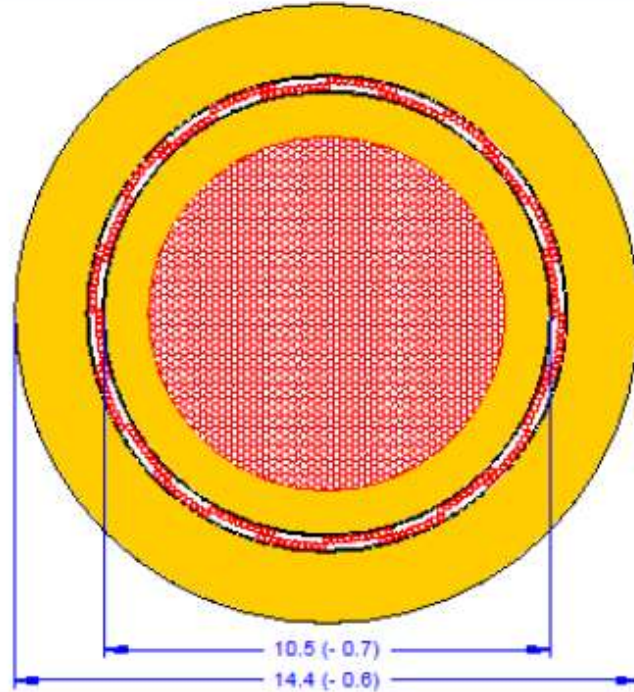
Coroplast Part No.: 9-2611 / 35 mm²
Seite / Page: 1

**Automotive Leitung geschirmt
für elektrische Fahrzeugantriebe**

FLR2GCB2G 35 mm² / 0,21

**Shielded cable for
automotive electric powertrain**

FLR2GCB2G 35 mm² / 0.21



Änderungsindex Version	Erstellt Creator	Ausgabedatum Date of Issue	Beschreibung Description
A 1	Freyth	2010-10-06	Erstausgabe / first edition
A 2	Wichmann	2010-10-18	VW N 107 777 hinzu / added VW N 107 777
A 3	Wichmann	2010-11-17	Schirmwiderstand und Leitungsgewicht hinzu added resistance of shielding and weight of cable
A 4	Wichmann	2010-11-26	Bedruck war / Marking was „ ... MAX 600 V AC ... „

Die Weitergabe dieser technischen Information an Dritte ist nicht gestattet. Eine unbefugte Weitergabe ist ggf. gemäss §18 UWG und gemäss §97 UrhG strafbar und begründet ggf. gemäss §19 UWG und gemäss §97 UrhG einen Schadensersatzanspruch. Die Produktbeschreibungen in unseren Veröffentlichungen sind nach bestem Wissen erfolgt. Sie entsprechen dem derzeitigen Stand der Technik und unserem Kenntnisstand. Bei Angaben handelt es sich um allgemeine Beschreibungen von Eigenschaften unserer Produkte, die nicht bei jedem Anwendungszweck und unter allen Bedingungen zutreffen müssen. Die Beschreibungen betreffen den Anwender nicht von eigenen Prüfungen der Produkte hinsichtlich ihrer Eignung für den beabsichtigten Anwendungszweck. In Zweifelsfällen sollte eine Abstimmung mit unserem Hause erfolgen.

It is not permitted to pass this technical information to any third parties. An unauthorized transfer is prohibited and prosecutable according to §18 UWG and §97 UrhG and could cause according to §19 UWG and §97 UrhG a claim for compensation. The product descriptions in our publications are correct to the best of our knowledge. They reflect the present state of the technology and our capabilities. The details are a general description of the characteristics of our products, which do not necessarily apply to every purpose or under all conditions. The descriptions do not release the user from the responsibility of testing of the products for suitability for the specific purpose. In cases of doubt, please contact our Service Department.

Coroplast Fritz Müller GmbH & Co. KG
Klebebänder – Kabel – Leitungssatzsysteme
Wittener Straße 271
D-42279 Wuppertal



Kabel und Leitungen
Wires & Cables
fon +49 (0) 202 / 2681 - 228
kabelundleitungen@coroplast.de

Technische Information
Technical Information

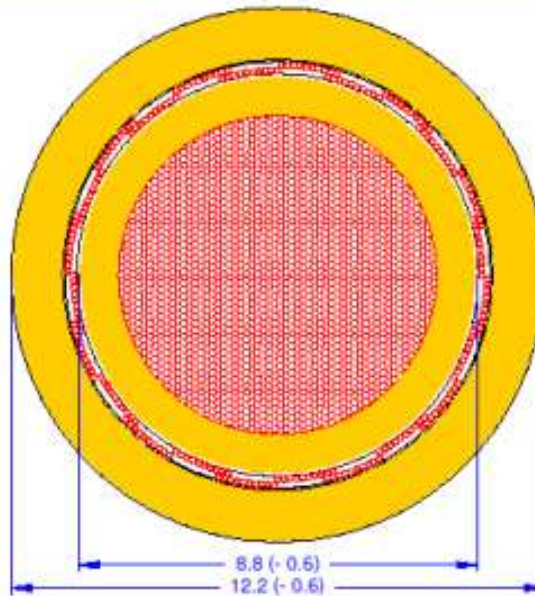
Coroplast Part No.: 9-2611 / 25 mm²
Seite / Page: 1

**Automotive Leitung geschirmt
für elektrische Fahrzeugantriebe**

FHLR2GCB2G
25 mm² / 0,21 T180 0,6/0,9 kV

**Shielded cable for
automotive electric powertrain**

FHLR2GCB2G
25 mm² / 0.21 T180 0.6/0.9 kV



Anderungsindex Version	Erstellt Creator	Ausgabedatum Date of issue	Beschreibung Description
A 1	Freyth	2010-10-06	Erstausgabe / first edition
A 2	Wichmann	2010-10-18	VW N 107 776 hinzu / added VW N 107 776
A 3	Wichmann	2010-11-17	Schirmwiderstand und Leitungsgewicht hinzu added resistance of shielding and weight of cable
A 4	Wichmann	2010-11-26	Bedruck war / Marking was „... MAX 600 V AC ...“
A 5	Leven	2011-06-07	Datenblatt aktualisiert / datasheet updated
A 6	Wichmann	2011-09-15	added characteristic capacitance, inductance, impedance conductor diameter was max. 7.2 mm
A 7	Leven	2011-11-07	Deratingkurven ergänzt / derating curves added
A 8	Gehle	2012-09-19	Fußzeile überarbeitet / modified footer
A 9	Wichmann	2012-12-04	Nomenklatur, Aufdruck und Nennspannung modifiziert cable-nomenclature, marking and nominal voltage modified

Die Weitergabe dieser technischen Information an Dritte ist nicht gestattet. Eine unbefugte Weitergabe ist ggf. gemäss §19 UWG und gemäss §97 UrhG strafbar und begründet ggf. gemäss §19 UWG und gemäss §97 UrhG einen Schadensersatzanspruch. Bei Angaben handelt es sich um allgemeine Beschreibungen von Eigenschaften unserer Produkte, die nicht bei jedem Anwendungszweck und unter allen Bedingungen zutreffen müssen. Alle Zeichnungen, Designs, Spezifikationen, Pläne und Angaben zu Gewichten, Größen und Dimensionen in der technischen oder kommerziellen Dokumentation von Coroplast dienen ausschließlich der Information, sind unverbindlich und stellen keine diesbezügliche Beschaffenheitsvereinbarung oder verbindliche Aussage von Coroplast dar. Unsere Angaben betreffen Sie nicht von einer eigenen Prüfung im Hinblick auf Eignung für die beabsichtigte Verwendung, Anwendung, Verwendung und Verarbeitung unserer Produkte erfolgen außerhalb unserer Kontrollmöglichkeiten und liegen daher ausschließlich in Ihrem Verantwortungsbereich. In Zweifelsfällen sollte eine Abstimmung mit unserem Hause erfolgen.

This technical information may not be disclosed to third parties. Unauthorised disclosure may be liable to prosecution pursuant to Section 19 UWG (German Fair Trading Act) and Section 97 UrhG (German Copyright Act) and may justify claims for compensation pursuant to Section 19 UWG and Section 97 UrhG. The specifications constitute general descriptions of the product characteristics, which do not necessarily apply in all applications and under all conditions. All drawings, designs, specifications, plans as well as indications of weight, size and dimensions contained in Coroplast's technical or commercial documentation are exclusively for information, are non-binding and constitute no guarantee as to characteristics or a binding commitment on the part of Coroplast. Our specifications shall not release you from your obligation to test the products supplied regarding their suitability for the intended purpose of use. The application, use and processing of our products are beyond our control and are therefore carried out at your sole responsibility. In case of doubt, please check back with our company.

Coroplast Fritz Müller GmbH & Co. KG
Klebbänder – Kabel – Leitungssysteme
Wittener Straße 271
D-42279 Wuppertal



Kabel & Leitungen
Wires & Cables
Tel +49 (0) 202 / 2661 - 229
kabelundleitungen@coroplast.de