

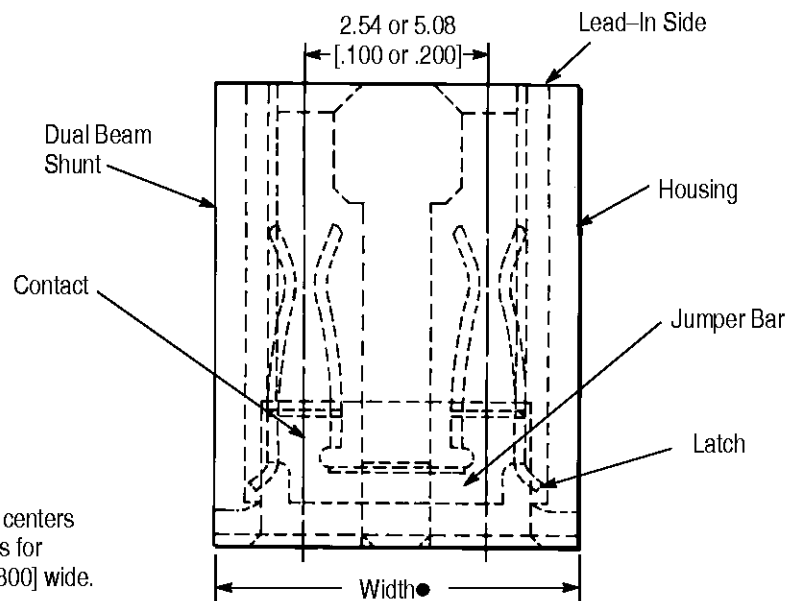
NOTE

All numerical values are in metric units [with U.S. customary units in brackets]. Dimensions are in millimeters [and inches]. Unless otherwise specified, dimensions have a tolerance of ± 0.13 [.005] and angles have a tolerance of $\pm 2^\circ$. Figures and illustrations are for identification only and are not drawn to scale.

1. INTRODUCTION

This specification covers the requirements for application of the AMP* Low Profile, Economy, Dual Beam, and Multiposition Shunt Connectors. Low Profile and Economy Shunt Connectors are available in carrier strip form. The Dual Beam Shunt connectors are available in loose piece or carrier strip form. The Multiposition Shunt Connectors are available in 2 through 14 dual positions for 5.08 [.200] centerline and in 2 through 20 dual positions for 2.54 [.100] centerline.

When corresponding with AMP personnel, use the terminology provided on this specification to help facilitate your inquiry for information. Basic terms and features of components are provided in Figure 1.



- Shunts for posts on 2.54 [.100] centers are 5.08 [.200] wide, and shunts for posts on 5.08 [.200] are 7.62 [.300] wide.

Figure 1

2. REFERENCE MATERIAL

2.1. Revision Summary

This paragraph is reserved for a revision summary of changes and additions made to this specification. The following changes have been made for this revision:

Per EC 0990-0807-97

- Changed Low-Profile to Low Profile throughout document
- Changed Multi-Position to Multiposition throughout document
- Revised Section 1, INTRODUCTION
- Revised Paragraph 2.1, Revision Summary
- Revised Paragraph 2.2, Customer Assistance
- Revised Paragraph 2.4, Specifications
- Revised Paragraph 2.5, Instructional Material
- Revised the last paragraph of Section 3, REQUIREMENTS
- Added new Section 4, QUALIFICATIONS
- Renumbered Sections 4 and 5 to 5 and 6 respectively

2.2. Customer Assistance

Reference Part Numbers (531220 Low Profile; 382811 Economy; 390088 Dual Beam; and 382909 Multiposition) and Product Code 5239 are representative numbers that identify the Shunt Connectors. Use of these numbers will identify the product line and expedite your inquiries through an AMP service network established to help you obtain product and tooling information. Such information can be obtained through a local AMP Representative (Field Sales Engineer, Field Applications Engineer, etc.) or, after purchase, by calling the Tooling Assistance Center number or the AMP FAX/Product Information number at the bottom of page 1.

2.3. Drawings

Customer Drawings for specific products are available from the responsible AMP Engineering Department via the service network. The information contained in the Customer Drawings takes priority if there is a conflict with this specification or with any technical documentation supplied by AMP Incorporated.

2.4. Instructional Material

AMP Product Specification 108-9057 provides information about performance, tests, and quality requirements for the Low Profile and Multiposition Shunt Connectors, 108-1476 for the Economy Shunt Connectors, and 108-1674 for the Dual Beam Shunt Connectors.

The following AMP Instruction Sheets, and Application Specifications provide installation and application procedures.

408-3251	Multiposition Shunt Connectors
408-3230	AMP Low Profile, Economy, and Dual Beam Shunt Connectors
114-1079	Low Profile Uninsulated 1.27mm (.050) centerline Shunt

3. REQUIREMENTS

The post requirements for the shunt connectors are identified in Figures 2 and 3. The mating post length for all connector versions must be a minimum of 5.08 [.200].

The Low Profile and Economy Shunt Connectors are designed for mating, commoning, or shorting two 0.64 [.025] square posts, or two 0.56 X 0.66 [.022 X .026] rectangular posts on 2.54 [.100] or 5.08 [.200] contact centerlines.

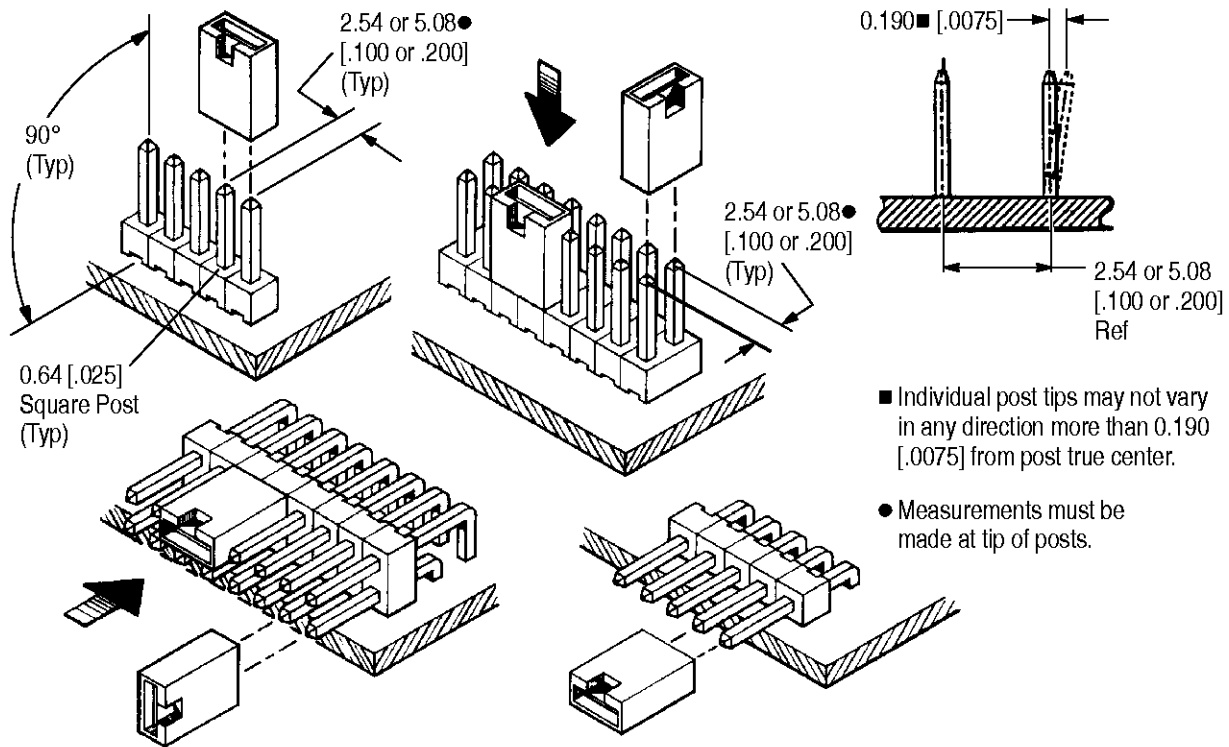


Figure 2

The Multi Position Shunt Connectors are designed for mating, commoning, or shorting multiples of two 0.64 [.025] square or round posts on 2.54 or 5.08 [.100 or .200] contact centerlines.

The Dual Beam Shunt Connectors are designed for mating, commoning, or shorting two 0.64 [.025] square or round posts.

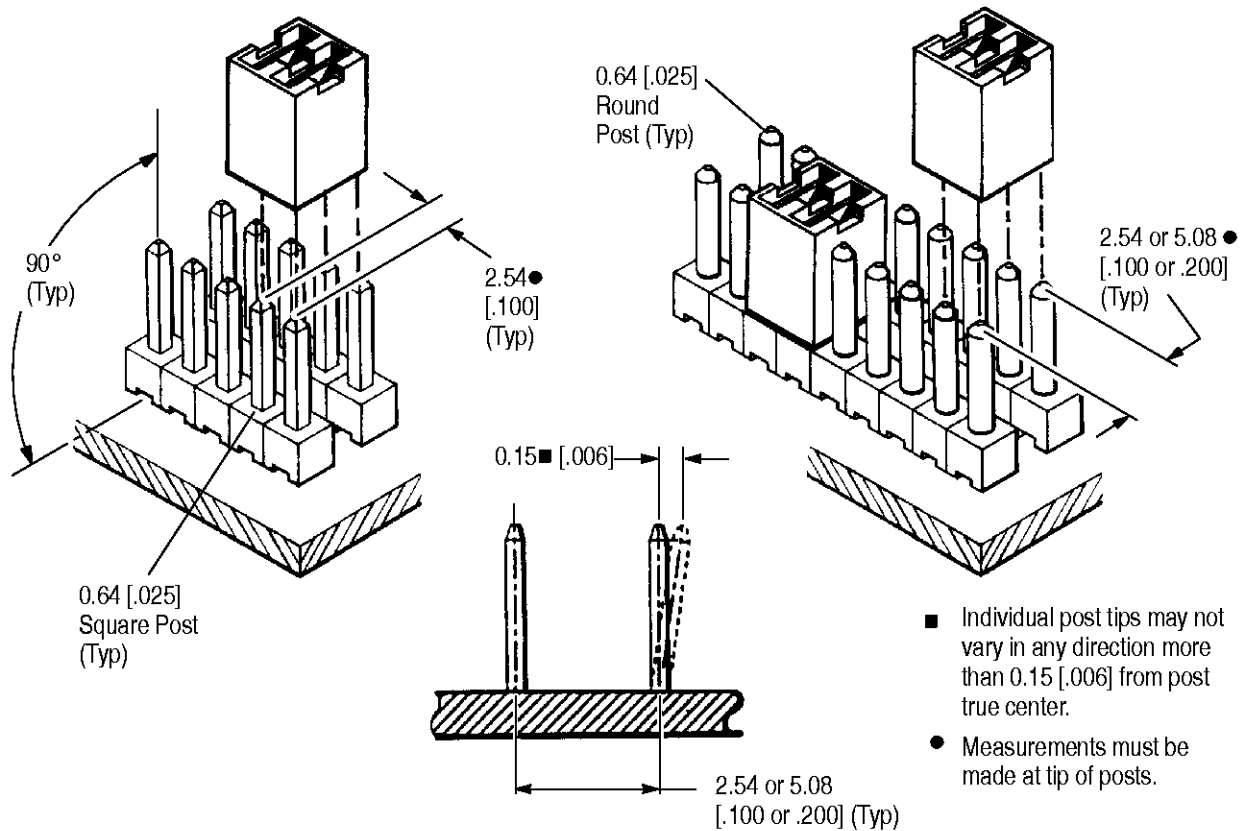


Figure 3

4. QUALIFICATIONS

Shunt Connectors have been listed under Underwriters Laboratories Inc. (UL) File number E28476.

5. TOOLING

Connectors may be installed by hand or with needle-nose pliers until bottomed. Connectors may also be removed by hand or with needle-nose pliers. No application tooling is required.

NOTE Care should be taken when using pliers that excessive force is not applied to sides of connector, which could cause shunt failure.

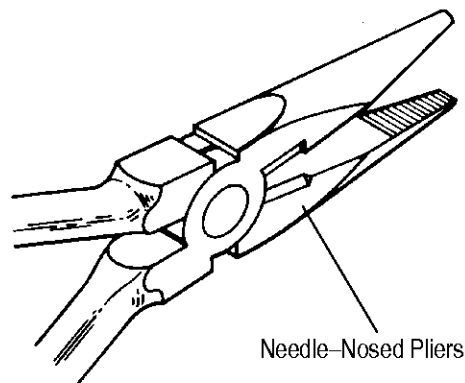


Figure 4

6. VISUAL AID

The following illustration is to be used by production personnel to ensure properly applied product. The view suggest requirements for good applications. Applications considered visually incorrect should be inspected using the information in the main body of this document.

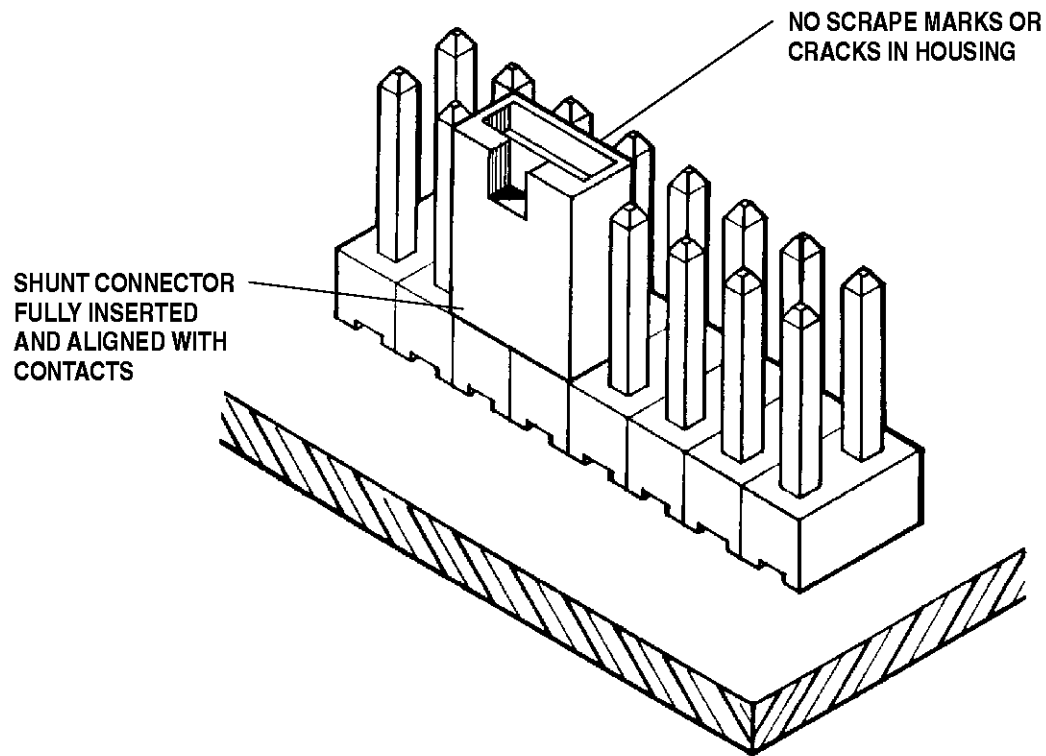


FIGURE 5. VISUAL AID