



H3A TIC-LOQ Housing Series

Table of contents

1. INTRODUCTION	2
2. SUPPORTING DOCUMENTS.....	2
2.1. Customer drawings.....	2
2.2. Product specification.....	2
2.3. Standards.....	2
3. DESCRIPTION.....	3
3.1. Hood types (which can be used to match with H3A TIC-LOQ Housings).....	4
3.2. Housing types.....	4
4. REQUIREMENTS	5
4.1. Panel cut-out.....	5
4.2. Inserts assembly	5
4.3. Locking.....	6
4.4. Unlocking	6
5. ACCESSORIES	7
6. STORAGE	7

1. INTRODUCTION

This specification contains the regulations for assembly of various H3A TIC-LOQ Housing.
The following components are available in this system:
Housing: H3A (TIC-LOQ housing)

2. SUPPORTING DOCUMENTS

2.1. Customer drawings

Please refer to the relative customer drawing of H3A TIC-LOQ Housing.

- C-T1509034500000 → H3A-MAG-TL CROSS MATING
- C-T1509034600000 → H3A-MAG-TL STANDARD VERSION

2.2. Product specification

The product specifications of the used articles are to be taken into account. The product specification describes the technical data as e.g. regulations, temperature range and degree of protection.
For further reference refer Product spec. 108-137065.

2.3. Standards

- EN 61984: Connectors - Safety requirements and tests
- IEC 60664-1: Insulation coordination for equipment within low-voltage systems (Part 1)
- EN 60529: Degrees of Protection Provided by Enclosures (IP Code)
- EN 60068: Environmental testing

3. DESCRIPTION

This application specification describes H3A TIC-LOQ Housing Series.

The following picture in figure 1 shows a complete assembly example for application H3A TIC-LOQ Housing.

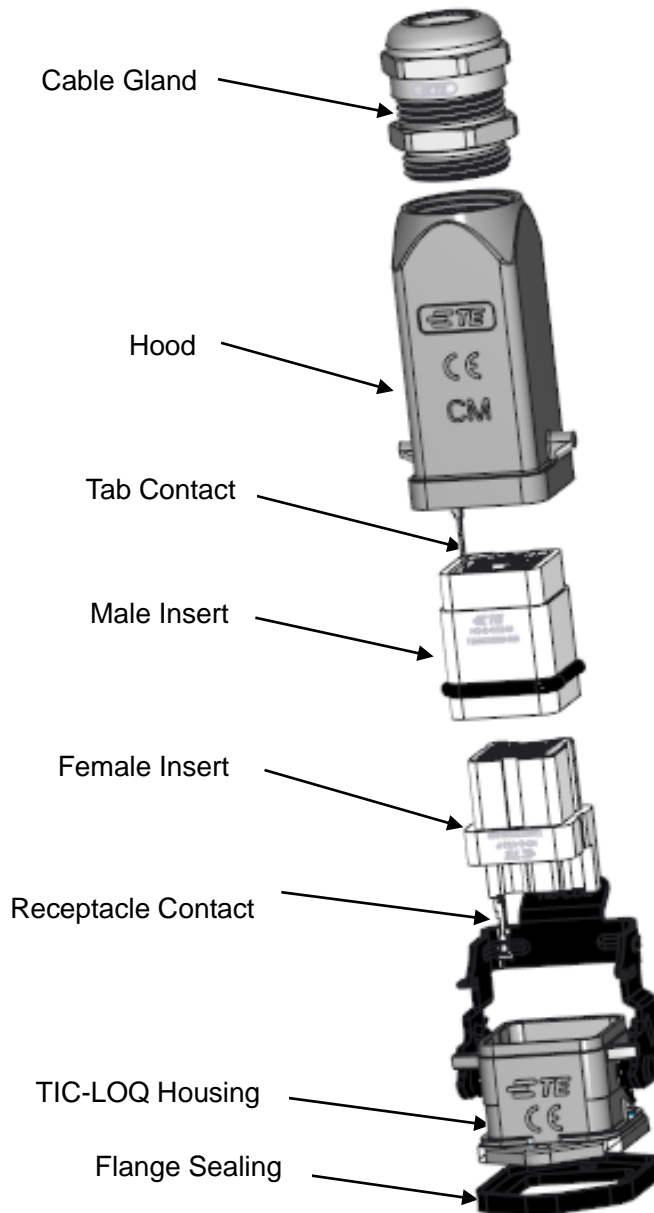


Figure: 1

The product consists of the following components (see Figure 1):

- Hood and TIC-LOQ Housing
- Male and Female inserts
- Tab and Receptacle contact
- Cable Gland
- Flange Sealing

3.1. Hood types (which can be used to match with H3A TIC-LOQ Housings)

H3A-MTG Top entry with 2 bolts as fig 2.

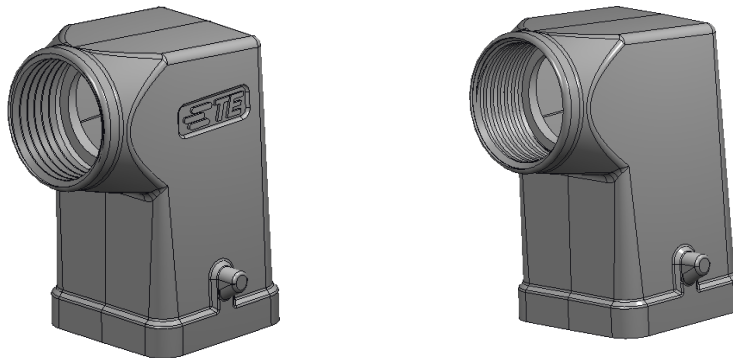


H3A Hood for Cross Mating

H3A Hood for Standard Version

Figure: 2

H3A-MTG Side entry with 2bolts as fig 3.



H3A Hood for Cross Mating

H3A Hood for Standard Version

Figure: 3

3.2. Housing types



H3A TIC-LOQ Housing for Cross Mating

H3A TIC-LOQ Housing for Standard Version

Figure: 4

4. REQUIREMENTS

4.1. Panel cut-out

For information concerning the panel cut-out for the use of bulkhead mounted TIC-LOQ housing on panels please refer to the customer drawings as shown in Figure 2.

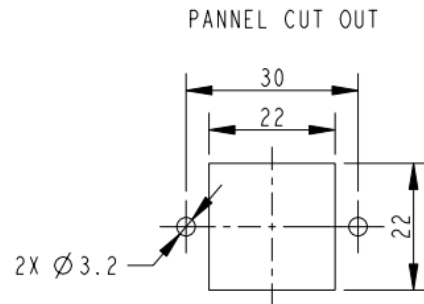


Figure: 5

Note: Fixing screws for the assembly TIC-LOQ housings on panel are not part of the scope of delivery. It can be chosen suitable type according to size of hole on panel. Initial and test-torque values can be chosen from the following table:

Screw	Recommend Torque
M3	0.5 Nm

4.2. Inserts assembly

The inserts are fixed into the TIC-LOQ housing with M3 fixing screw and O-ring. The M3 fixing screw and O-Ring are components of insert. Shown in Figure 6.

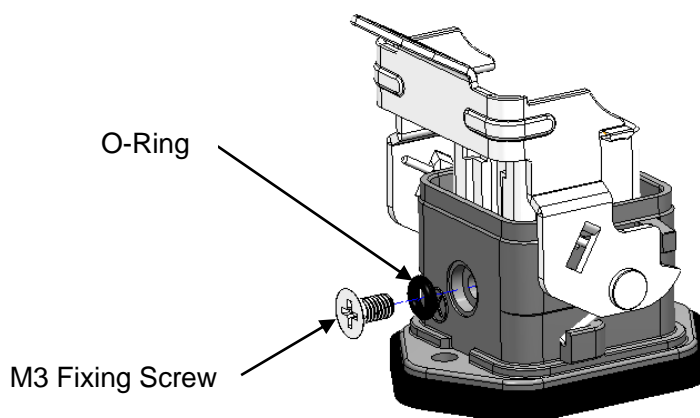


Figure: 6

Initial and test-torque values can be chosen from the following table:

M3	0.5 Nm
----	--------

4.3. Locking

Locking lever is fixed on the TIC-LOQ housing and be able to achieve locking function automatically. Push the plug unit towards the TIC-LOQ Housing till lock completion by hand or automation as shown in Figure 7.

Notice: Through check no gap to confirm locking completely as shown in Figure 8.

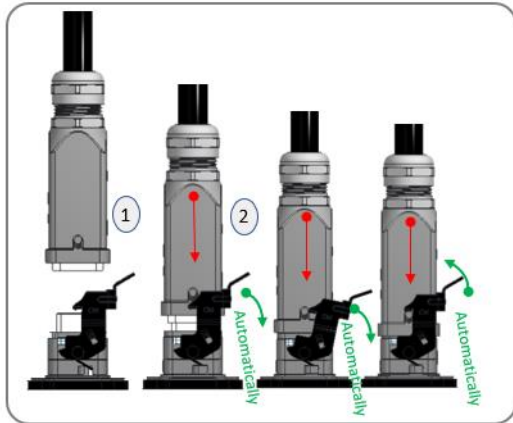


Figure: 7

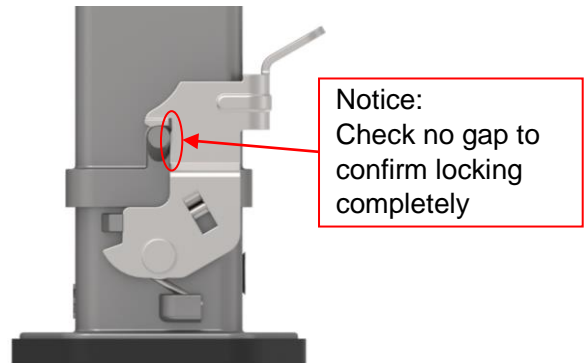


Figure: 8

4.4. Unlocking

Push the TIC-LOQ locking lever downward 18° to open locking lever and then pull out the plug as shown in

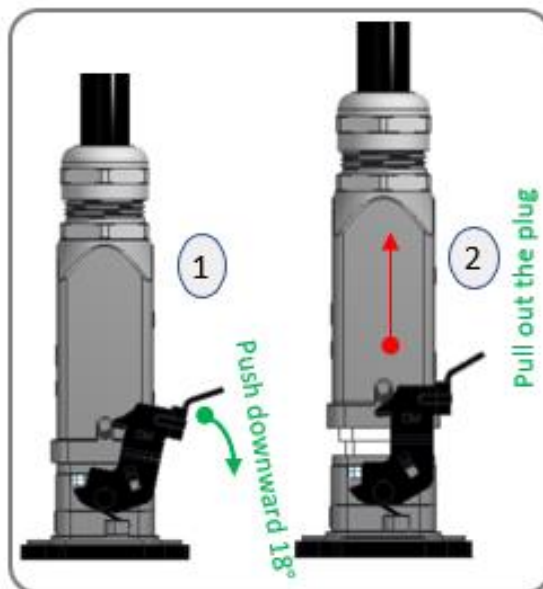


Figure 9.

5. ACCESSORIES

For the selection and specification of cable glands, please refer to our catalogue.

The possible arrangement of fitting depends on the hood selection. All hood versions have M-threads and PG-threads. For example, the hood and housing can be assembled with the adaptors and cable gland (plastic or metal). As shown in Figure 5.



Figure: 10

6. STORAGE

The connectors should be stored in the air ventilation, no corrosive gas, no rain and no snow in the warehouse. Relative humidity: less than 85% RH.