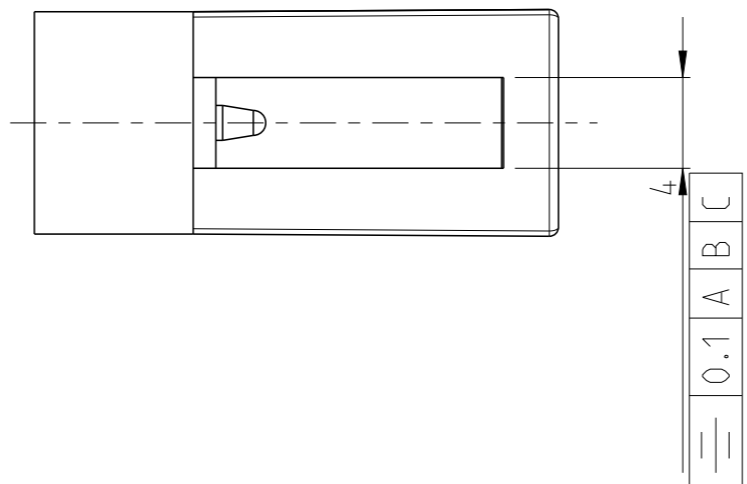
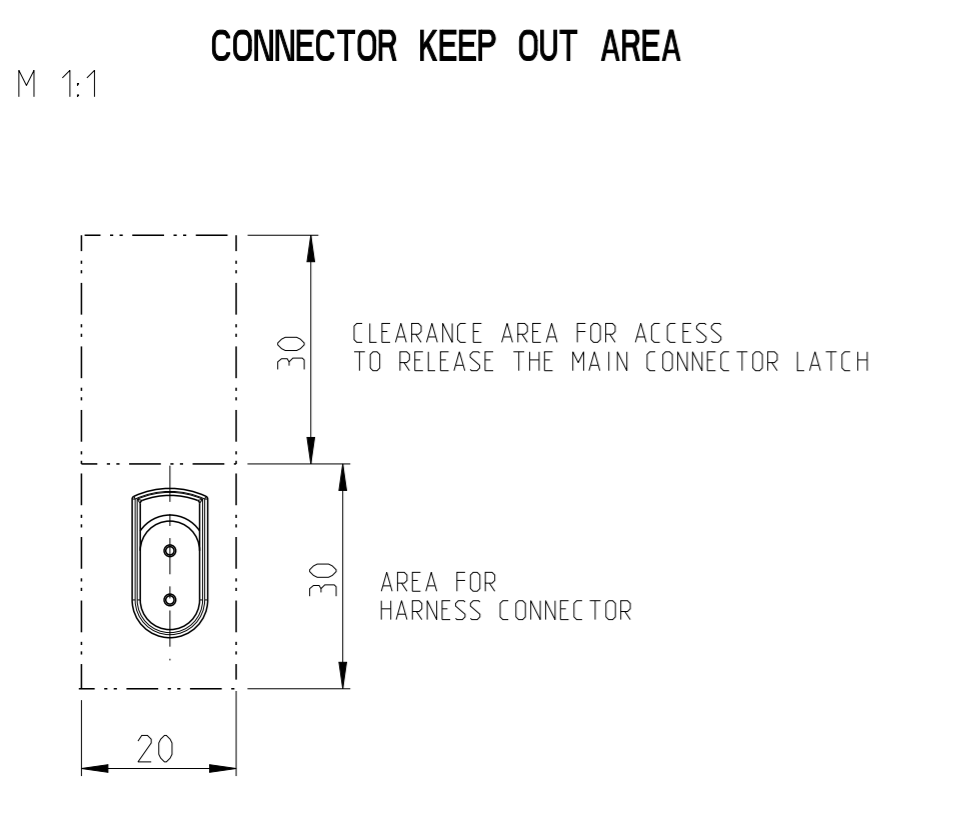
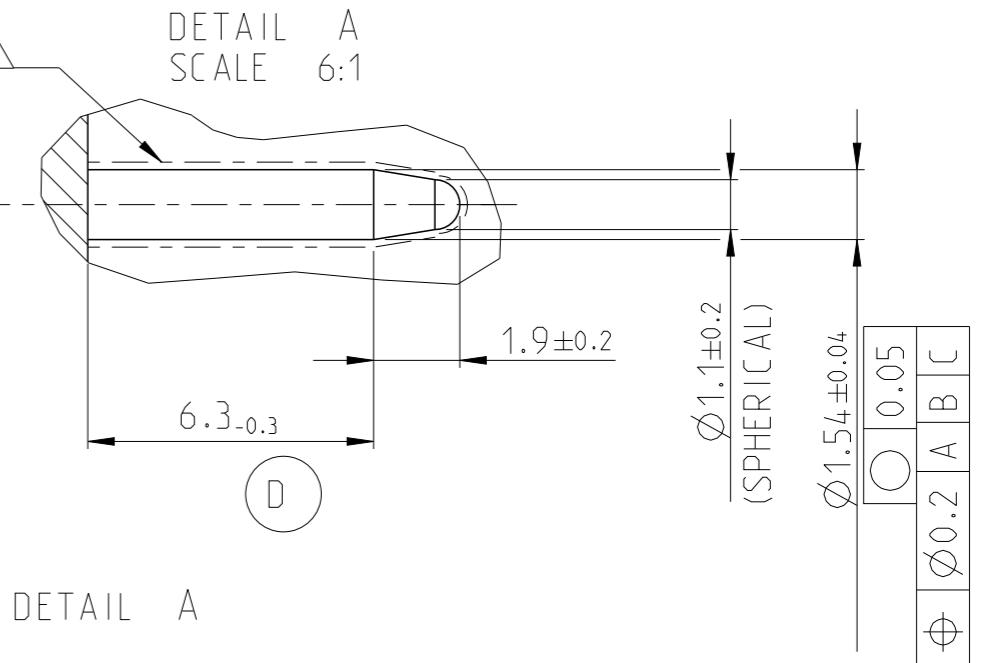
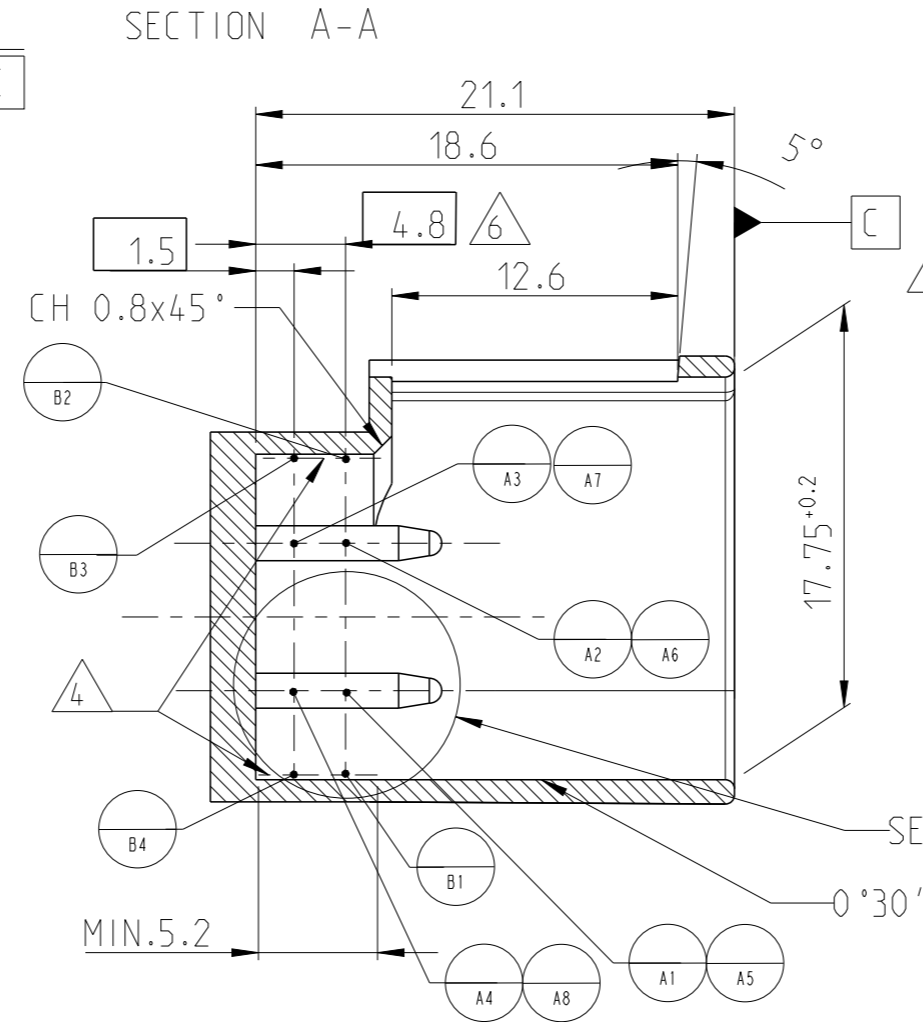
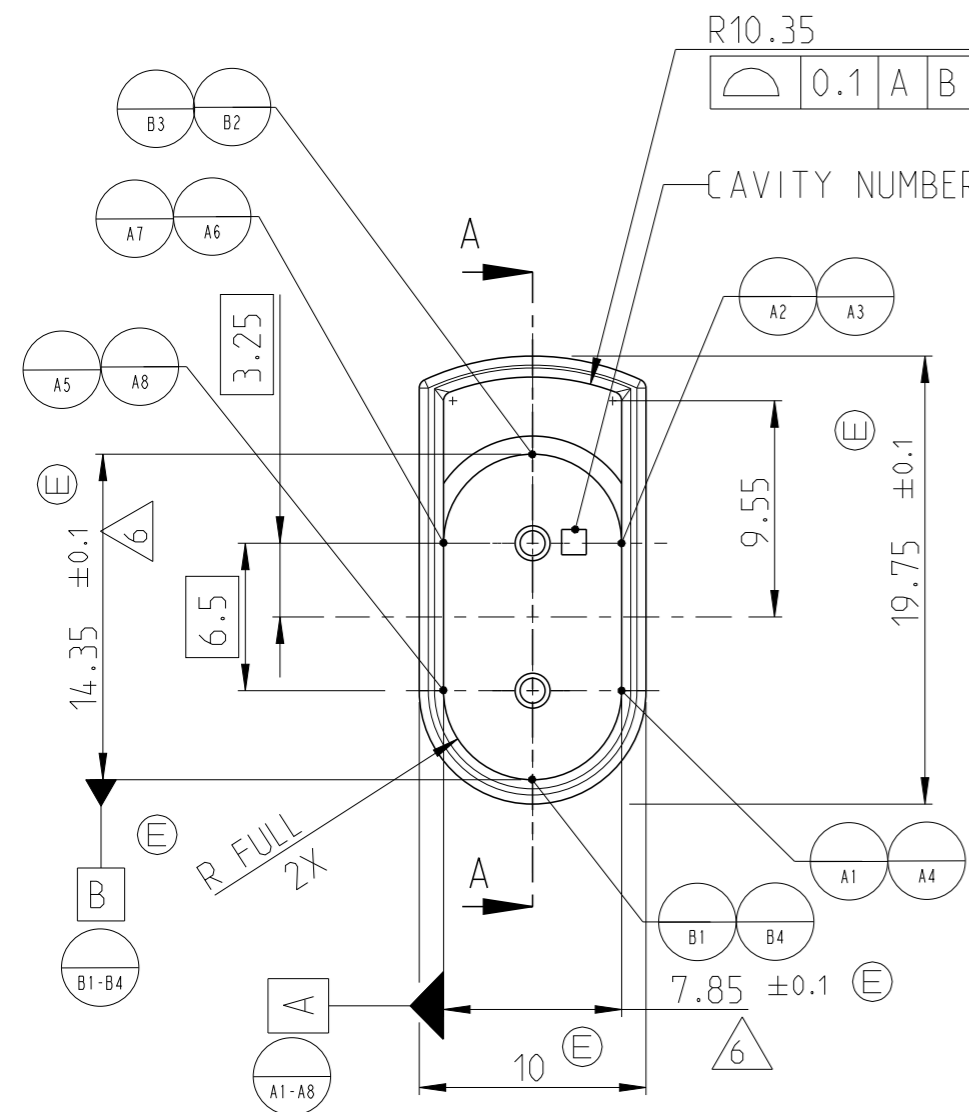


THIS DRAWING IS UNPUBLISHED. RELEASED FOR PUBLICATION 2011
 © COPYRIGHT 2011 ALL RIGHTS RESERVED.

LOC	DIST	REVISIONS			
P	LTR	DESCRIPTION	DATE	DWN	APVD
	B	UPDATE: MEASURING POINTS ADDED	04MAY2011	MT	HR
	C	UPDATE: MEASURING AREA	06MAY2011	MT	HR
	D	PIN TOL. 6.3 -0.3 ADDED	20MAY2011	MT	HR



- COUNTERPART SUITABLE FOR 1.6mm 2 WAYS MALE CONNECTOR AS PER TE C-DRAWING 1418066
- MATERIALS:
 HOUSING: THERMOPLASTIC GLASSFIBER FILLED (i.e.:PBT, PA66)
 PIN: PH.BRONZE CuSn6 TIN PLATED (2-4 µm)
- NO SHARP EDGES, BURRS, SCRATCHES ETC.ARE ADMITTABLE ALL OVER THE CONTACT SURFACE
- SEALING AREA (MOLD POLISHED SURFACE ALL AROUND Ra<0.4 µm): NO FLASHES, TOOL PARTING LINE, INJECTION POINT PERMITTED ON THIS SURFACE
- ALL UNDIMENSIONED RADII: 0.4mm
- TO BE MEASURED, AT SHOWN POINTS: B1 -B2 / A2-A6 / A1-A5
 MEASURING AREA 4.8

	THIS DRAWING IS A CONTROLLED DOCUMENT.		DWN M.GHISOLFI 18APR2011	TE Connectivity
			CHK M.GURLINO 20APR2011	
	DIMENSIONS: mm	TOLERANCES UNLESS OTHERWISE SPECIFIED:	APVD -	NAME
		0 PLC ±	1 PLC ±0.1	PRODUCT SPEC -
		2 PLC ±0.05	APPLICATION SPEC -	SIZE A3
		3 PLC ±	WEIGHT -	CAGE CODE 00779
		4 PLC ±	CUSTOMER DRAWING	DRAWING NO C=114-20168
		ANGLES ±1°	SCALE 3:1	SHEET 1 OF 1
		FINISH -	REV D	