



NOTE

All numerical values are in metric units [with U.S. customary units in brackets]. Dimensions are in millimeters [and inches]. Unless otherwise specified, dimensions have a tolerance of ± 0.13 [$\pm .005$] and angles have a tolerance of $\pm 2^\circ$. Figures and illustrations are for identification only and are not drawn to scale.

1. INTRODUCTION

This specification covers the requirements for application of the Power Key 5.0 connector system with a 5.0 mm centerline. The Power Key 5.0 connector system supports a 14 to 24 AWG wire range.

Basic terms and features of this product are provided in Figure 1.

Terminal Position Assurance (TPA)

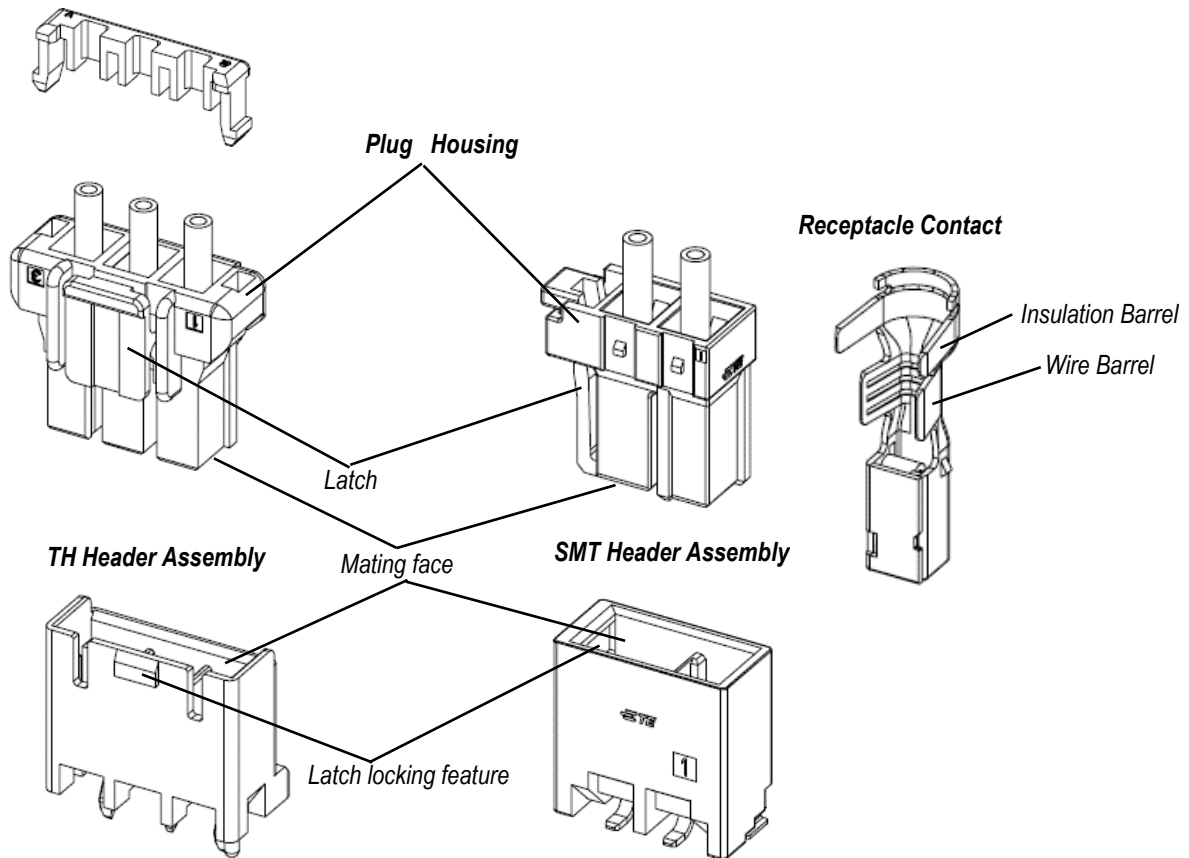


Figure 1

2. REFERENCE MATERIAL

2.1. Revision Summary

Revisions to this specification include:

- Added Terminal P/N2446270-1

2.2. Customer Assistance

Reference Product Base Part numbers are stated in Figure 2. Use of these numbers will identify the product line and help you to obtain product and tooling information when visiting www.te.com or calling the number at the bottom of page 1.

| 5.0 Power Key Connector | |
|-----------------------------|---|
| Product Type | Base Part Numbers |
| Header Assembly | 1376382 – 1376387 (TH) 2171335 – 2174337 (SMT) |
| Plug Housing | 1376388 – 1376393 (TH) 2171224 (SMT) |
| Receptacle Contact | 2446270 (AWG14) 1376347 (AWG16-20) 1376348 (AWG20-24) |
| Terminal Position Assurance | 1376394 - 1376397 |

Figure 2

2.3. Drawings

Customer drawings for product part numbers are available from www.te.com. Information contained in the customer drawing takes priority.

2.4. Specifications

Product Specification [108-5699](#) provides product performance and test results.

3. REQUIREMENTS

3.1. Safety

Do not stack product shipping containers so high that the containers buckle or deform.

3.2. Storage

A. Ultraviolet Light

Prolonged exposure to ultraviolet light may deteriorate the chemical composition used in the product material.

B. Shelf Life

The product should remain in the shipping containers until ready for use to prevent deformation to components. The product should be used on a first in, first out basis to avoid storage contamination that could adversely affect performance.

C. Reels

When using reeled contacts, store coil wound reels horizontally. When storing partial reeled contacts, the end of the strip should be secured to the flange using a wire tie or similar method.

D. Chemical Exposure

Do not store product near any chemical listed below as they may cause stress corrosion cracking in the material.

| | | | | | |
|----------|------------|----------|-----------------|----------|------------------|
| Alkalies | Ammonia | Citrates | Phosphates | Citrates | Sulfur Compounds |
| Amines | Carbonates | Nitrites | Sulfur Nitrites | | Tartrates |



NOTE

Where the above environmental conditions exist, phosphor-bronze contacts are recommended instead of brass if available.

3.3. Wire Selection and Preparation

The contacts accept stranded copper wire sizes 14 AWG to 24 AWG with an insulation diameter range given in Figure 3.

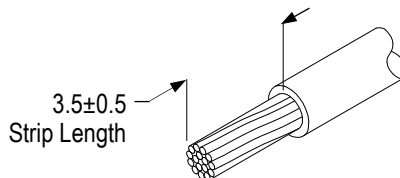
Each wire must be stripped to the dimensions given in Figure 3.



CAUTION

Care must be taken not to nick, scrape, or cut any part of the wire during the stripping operation.

Note: Not to Scale



| CONTACT | | | WIRE | |
|-------------------------|------------------------|---------------------------------------|---------------------|--------------|
| TYPE | PART NUMBER | WIRE SIZE (AWG) [mm ²] | INSULATION DIAMETER | STRIP LENGTH |
| Receptacle Contact (M) | 1376348-1 | 20-24 [0.53 – 0.22] | Φ 1.7– Φ 2.7 | 3.5±0.5 |
| Receptacle Contact (L) | 1376347-1 2468057-1 | 16-20 [1.38 – 0.51] | Φ 2.0~ Φ 3.1 | 3.5±0.5 |
| Receptacle Contact (2L) | 2446270-1 | 14 [2.18] | Φ 2.8~ Φ 3.6 | 3.5±0.5 |

Figure 3

3.4. Contact Crimp

A. Cutoff Tab

The cutoff tab is the remaining portion of the carrier strip after the contact is cut from the strip. The cutoff tab must not exceed the dimensions given in Figure 4.

B. Wire Barrel Crimp

The crimp applied to the wire barrel portion of the contact is the most compressed area and is most critical in ensuring optimum electrical and mechanical performance of the crimped contact. The crimp must be centered on the closed wire barrel. The crimp must result in an “F” crimp where the wire barrel forms a closed seam with no evidence of loose wire strands or wire strands visible in the seam. The crimp height and width must be within the dimensions given in Figure 4.

C. Insulation Barrel Crimp

The crimp applied to the insulation barrel of the contact must result in either an “F” crimp where the insulation barrel forms a closed seam with no evidence of wire insulation in the seam or an overlap crimp where the tips of the insulation barrel wraps overlap each other and wrap firmly around the wire insulation without cutting into the wire insulation. The crimp height and width must be within the dimensions provided in Figure 4.

D. Contact Stabilizer

The contact stabilizer must not be crimped or deformed in any way. The width of the stabilizer must be within the dimension given in Figure 4. Otherwise, in addition to reducing the function of the stabilizer, a deformed stabilizer will cause the TPA to be ineffective.

E. Wire Barrel Flash

Wire barrel flash is the formation that may appear on both sides of the wire barrel as the result of the crimping process. It must not exceed the dimension provided in Figure 4.

F. Twist and Roll

There should be no twist or roll of the wire barrel or mating portion of the crimped contact that would cause overstress or impair usage. See Figure 4 for allowable limits.

G. Wire End Extrusion Length

The wire conductor ends must extend beyond the end of the wire barrel within the dimensions given in Figure 4.

H. Bellmouths

The front bellmouth and rear bellmouth shall conform to the dimensions given in Figure 4.

I. Wire Location

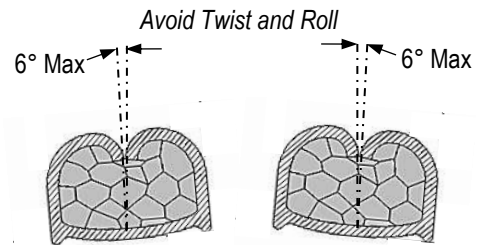
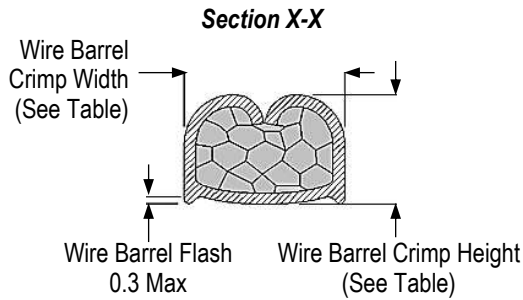
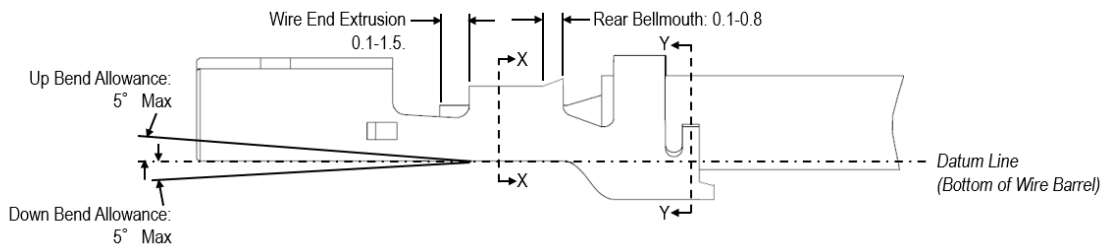
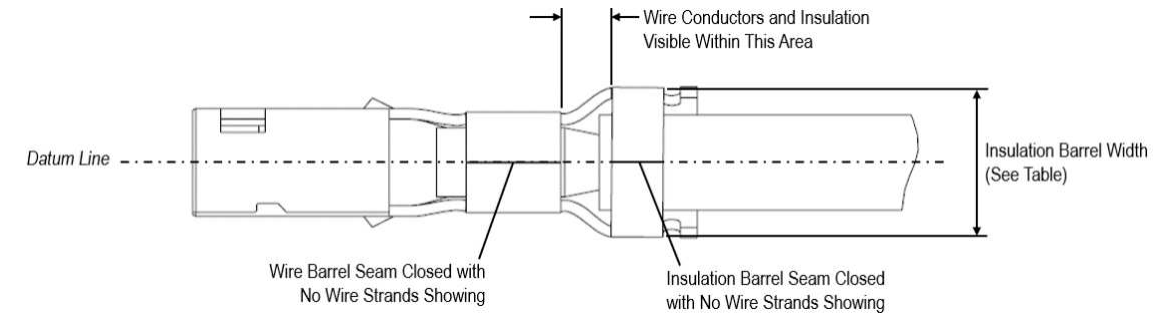
All conductors must be held firmly inside the wire barrel. No strands can be folded back over the wire insulation. The wire insulation must be inside the insulation barrel, but must not enter the wire barrel. The wire conductors and insulation must be visible within the area between the wire barrel and insulation barrel as shown in Figure 4.

J. Bend Allowance

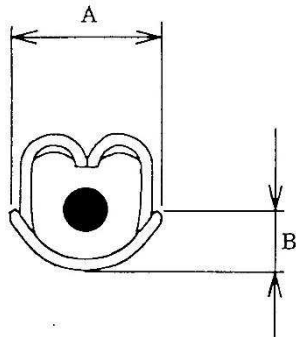
Then bend allowance between the wire barrel and the cable is acceptable within the limits given in Figure 4.

K. Mating End

There must be no damage or distortion to the mating end of the contact. See Figure 4.



Section Y-Y: Stabilizer dimensions after Crimping



| Part Number | Insulation Barrel Crimp Type | Dimension A | Dimension B |
|-------------|------------------------------|-------------|-------------|
| 1376347-x | "F" | 3.0-3.8 | 1.3 (Ref) |

Figure 4 (continued)

| Applicator No. | RECEPTACLE CONTACT | WIRE SIZE | | WIRE BARREL CRIMP | | INSULATION BARREL CRIMP | | Crimp Tensile Strength (kg) Min |
|------------------------|------------------------|-----------------|-----|-------------------|-----------------|-------------------------|------------------------------|---------------------------------|
| | | mm ² | AWG | HEIGHT ±0.05 | WIDTH | WIDTH | Finished Insulation Diameter | |
| 1366703-2 2151079-1 | 1376347-x 2468057-x | 0.51 | 20 | 1.05 | 2.03 REF "F" | 3.30 REF "F" | 2.0 – 3.1 | 6 |
| | | 0.76 | 18 | 1.15 | | | | 7 |
| | | 1.27 | 16 | 1.29 | | | | 8 |
| 1463049-2 | 1376348-x | 0.22-0.23 | 24 | 0.80 | 1.57 REF "F" | 3.30 REF "F" | 1.7 – 2.7 | 3 |
| | | 0.31-0.37 | 22 | 0.86 | | | | 5 |
| | | 0.51-0.53 | 20 | 0.96 | | | | 6 |
| 1366703-2 2151079-1 | 2446270-x | 2.18 | 14 | 1.72 | 2.03 REF "F" | 3.30 REF "F" | 2.8 – 3.6 | 23 |

Hand Tool

| Hand Tool No. | RECEPTACLE CONTACT | WIRE SIZE | | WIRE BARREL CRIMP | | INSULATION BARREL CRIMP | | Crimp Tensile Strength (kg) Min |
|---------------|------------------------|-----------------|-----|-------------------|-----------------|-------------------------|------------------------------|---------------------------------|
| | | mm ² | AWG | HEIGHT | WIDTH | WIDTH | Finished Insulation Diameter | |
| 1729064-1 | 1376347-x 2468057-x | 0.51 | 20 | 1.05 – 1.15 | 2.03 REF "F" | 3.30 REF "F" | 2.0 – 3.1 | 6 |
| | | 0.76 | 18 | | | | | 7 |
| | | 1.27 | 16 | 1.24 – 1.34 | | | | 8 |
| 1762773-1 | 1376348-x | 0.22-0.23 | 24 | 0.78 – 0.85 | 1.57 REF "F" | 3.30 REF "F" | 1.7 – 2.7 | 3 |
| | | 0.31-0.37 | 22 | | | | | 5 |
| | | 0.51-0.53 | 20 | 0.90 – 0.97 | | | | 6 |

Figure 4 (end)

L. Contact Length

The contact length measured from the front of the mating end to the back of the contact stabilizer (not including the carrier strip cutoff tab) must be within the dimensions given in Figure 5.



NOTE

Exceeding the contact length given may prevent the TPA from engaging the housing.

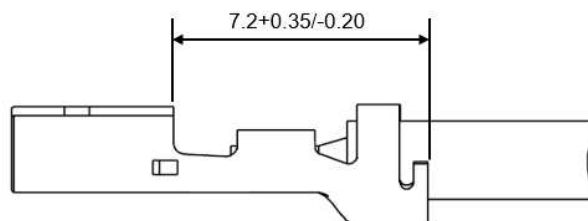


Figure 5

3.5. Inserting Contact into Housing

Grasp the wire directly behind the contact insulation barrel and push the contact straight into the cavity until it touches the bottom (there should be an audible click). Be aware that the contact must be installed in correct orientation as specified below. Pull back lightly on the wire to be sure the contact is locked in place. Refer to Figure 6

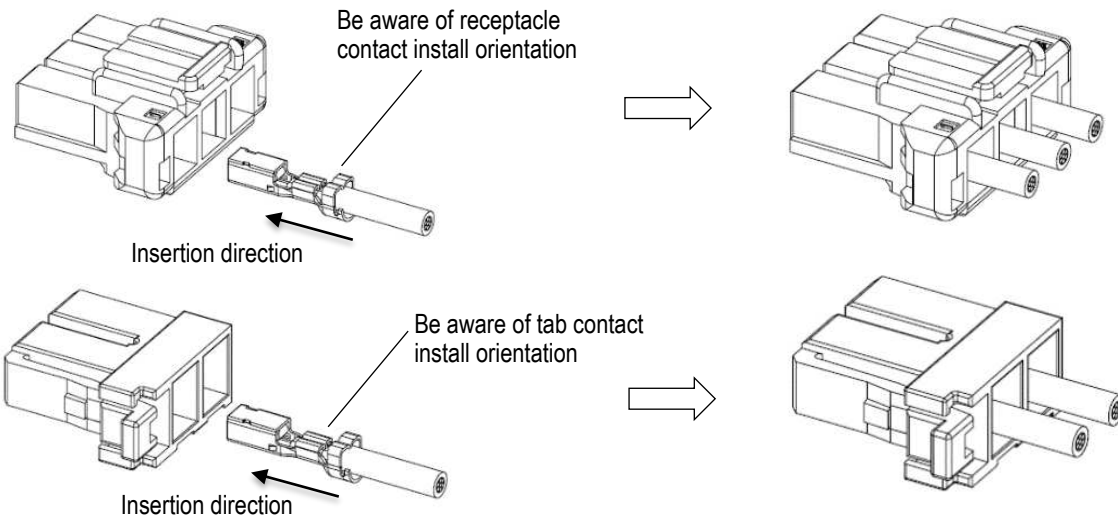


Figure 6

3.6. Mating Connectors

Be aware that the mating connectors have unique color and should be inserted into header cavities with the same color. Align the mating faces of the connectors and push them together until the locking latch fully engages the locking tab. Pull back to ensure proper engagement and to prevent any deformation of the locking mechanism. See Figure 7.

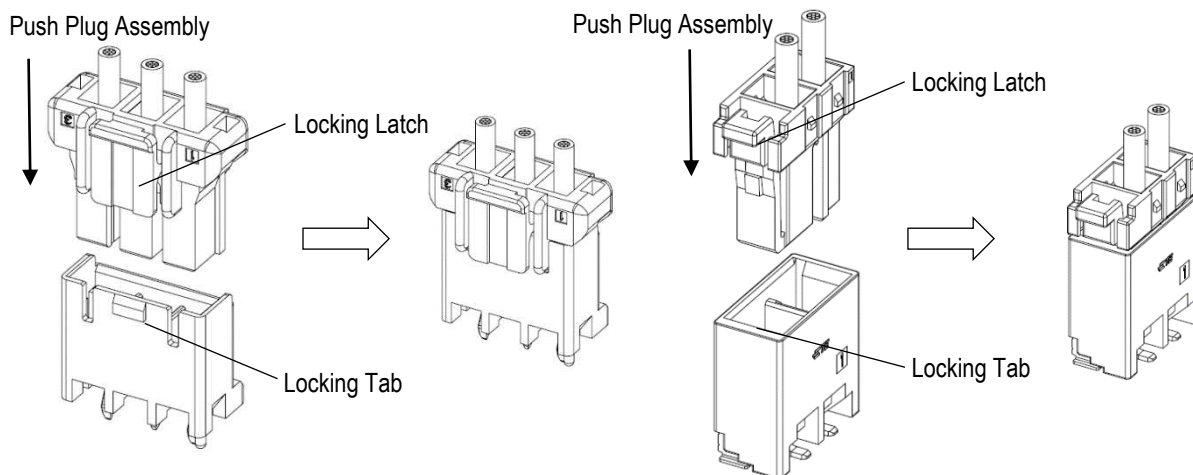


Figure 7

3.7. Unmating Connectors

To disengage mating connectors, depress latch of plug housing with thumbnail, and pull the connectors apart. Refer to Figure 8.

i **NOTE**
DO NOT pull the connectors by the wires.

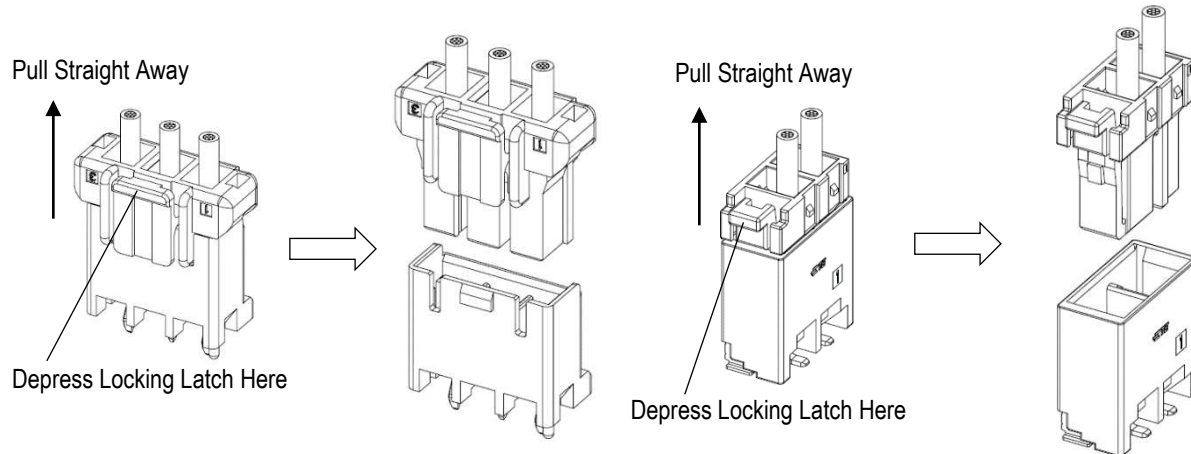


Figure 8

3.8. Installing TPA

Grasp the TPA and push it straight into the housing until it bottoms (there should be an audible click). Pull back lightly to be sure the TPA is locked in place. Refer to Figure 9.

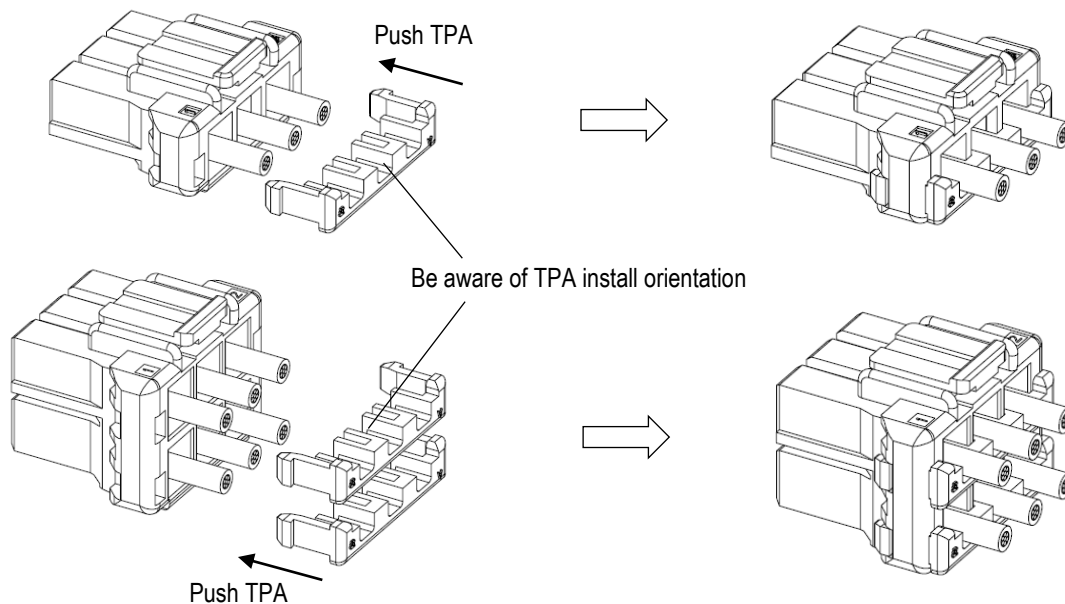


Figure 9

4. TOOLING

Applicators contain the tooling for feeding and crimping strip-form terminals. Automatic machines provide the power to operate the applicator. See Figure 10 for representative images.

Tooling information for product part numbers is available from www.te.com or by calling the Product Information Center at the number at the bottom of page 1.

4.1. Applicators

Applicators for product part numbers are available from the [Applicator Search Portal](#) on www.te.com or by calling the Product Information Center at the bottom of page 1.

4.2. Hand Tools

Hand tools for product part numbers are available from the [Hand Tool Search Portal](#) on www.te.com or by calling the Product Information Center at the bottom of page 1.



Ocean Applicator



Automatic Machine



*Hand Tool
Assembly*

Figure 10