
46 WAY ABS / EPB CONNECTOR

TABLE OF CONTENTS

- 1 GENERAL**
 - 1.1 PURPOSE
 - 1.2 CUSTOMER DRAWINGS / INTERFACE SPECIFICATION
 - 1.3 DELIVERY CONDITION OF CONNECTOR AND WIRE COVERS
 - 1.4 APPLICABLE COMPONENTS

- 2 CONNECTOR OPERATING INSTRUCTIONS**
 - 2.1 ASSEMBLY OF THE CONNECTOR
 - 2.2 TERMINAL INSERTION / REMOVAL INSTRUCTIONS
 - 2.2.1 TERMINAL INSERTION
 - 2.2.2 SPACER (TPA) REMOVAL
 - 2.2.3 TERMINAL EXTRACTION
 - 2.3 WIRE OUTER DIAMETER REQUIREMENTS FOR SEALING (MAT SEAL)
 - 2.4 COVER MOUNTING / REMOVAL INSTRUCTIONS FOR CABLE EXIT 180°/90°
 - 2.4.1 COVER MOUNTING
 - 2.4.2 COVER REMOVAL

- 3 CONNECTOR MATING / UNMATING ON / FROM AGGREGATE HEADER**
 - 3.1 CONNECTOR MATING
 - 3.2 CONNECTOR UNMATING

1 GENERAL

1.1 PURPOSE

THIS SPECIFICATION DESCRIBES HOW TO HANDLE THE 46 WAY CONNECTOR COMPONENTS.

1.2 CUSTOMER DRAWINGS / INTERFACE SPECIFICATION

THIS APPLICATION SPECIFICATION IS BASED ON THE LATEST VALID CUSTOMER DRAWINGS.

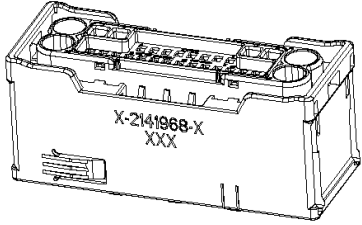
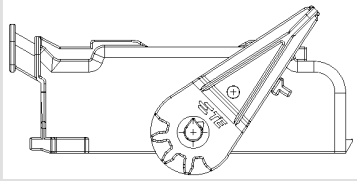
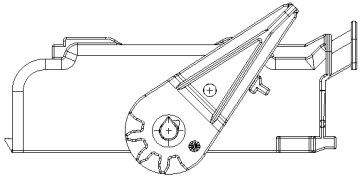
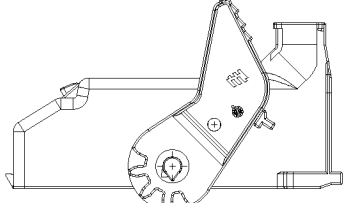
C2141968 46 WAY ABS CONNECTOR ASSEMBLY

C2141969 46 WAY ABS CONNECTOR WIRE COVER ASSEMBLY,
CABLE EXIT 180°

C2141685 46 WAY ABS CONNECTOR WIRE COVER ASSEMBLY, CABLE EXIT 90°

INTERFACE SPECIFICATION: 114-94025 46 WAY ABS CONNECTOR

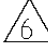
1.3 DELIVERY CONDITION OF CONNECTOR AND WIRE COVERS

46 WAY ABS CONNECTOR ASSEMBLY	PN X-2141968-X	
46 WAY ABS CONNECTOR WIRE COVER ASSEMBLY, CABLE EXIT 180° LEFT	PN 0-2141969-1	
46 WAY ABS CONNECTOR WIRE COVER ASSEMBLY, CABLE EXIT 180° RIGHT	PN 0-2141969-2	
46 WAY ABS CONNECTOR WIRE COVER ASSEMBLY, CABLE EXIT 90° RIGHT	PN 0-2141685-1	



NOT TOOLED

1.4 APPLICABLE COMPONENTS

APPLICABLE COMPONENTS BOX					
DESCRIPTION	PLATING /COLOUR	SUPPLIER	SUPPLIER PART NO. (WIRE SIZE) 	TE APPL. SPEC. /TE PROD. SPEC.	APPL CONTACT CAVITY NUMBER
0.64 GENERATION Y UNSEALED FEMALE TERMINAL	TIN	TE	2098753-6	114-13183	4-11, 15-29, 31-45
0.64 GENERATION Y UNSEALED FEMALE TERMINAL	TIN	TE	2098753-5	114-13183	4-11, 15-29, 31-45
2.8 UNSEALED FEMALE TERMINAL	TIN	FCI	54002231 (AWG 22)	-	2, 3, 12, 13
2.8 UNSEALED FEMALE TERMINAL	TIN	FCI	54001431 (AWG 14)	-	2, 3, 12, 13
2.8 UNSEALED FEMALE TERMINAL	TIN	FCI	54001839 (AWG 18)	-	2, 3, 12, 13
6.3 SEALED FEMALE TERMINAL	TIN	YAZAKI	7116-4140-02 (0.5-1.0mm ²)	-	1, 14, 30, 46
6.3 SEALED FEMALE TERMINAL	TIN	YAZAKI	7116-4141-02 (1.5mm ²)	-	1, 14, 30, 46
6.3 SEALED FEMALE TERMINAL	TIN	YAZAKI	7116-4142-02 (2.5-4.0mm ²)	-	1, 14, 30, 46
6.3 SEALED FEMALE TERMINAL	TIN	YAZAKI	7116-4143-02 (AWG 10)	-	1, 14, 30, 46
WIRE SEAL FOR 6.3 TERMINAL (SMALL)	RED	YAZAKI	7158-3081-50	-	-
WIRE SEAL FOR 6.3 TERMINAL (MEDIUM)	BLUE	YAZAKI	7158-3082-90	-	-
WIRE SEAL FOR 6.3 TERMINAL (LARGE)	BLACK	YAZAKI	7158-3083	-	-
WIRE SEAL FOR 6.3 TERMINAL (X-LARGE)	LIGHT GREY	YAZAKI	X39858-A400	-	-
PLUG FOR 6.3 TERMINAL	GREEN	YAZAKI	7158-3080-60	-	1, 14, 30, 46

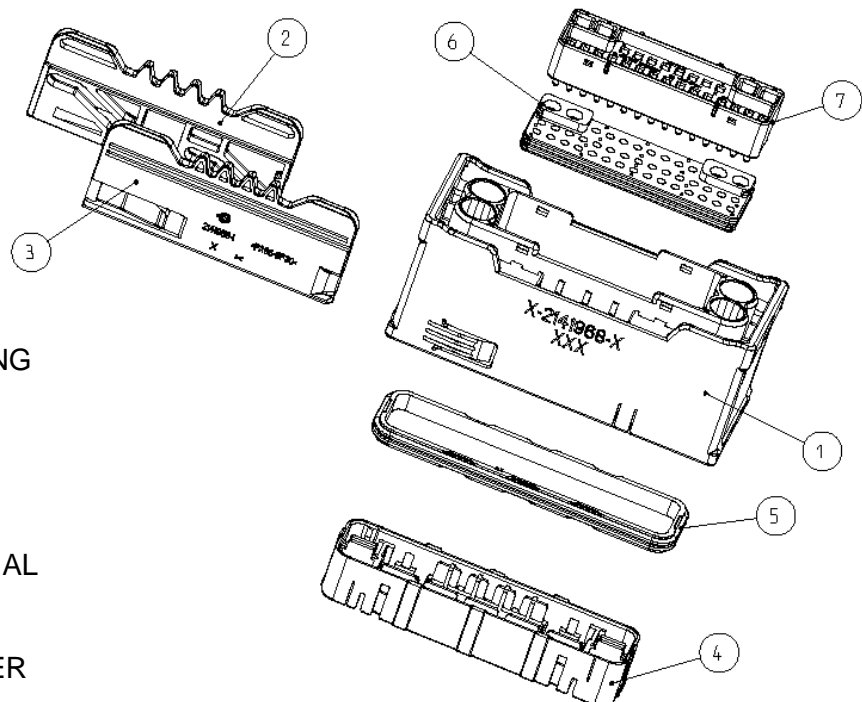


ONLY FOR INFORMATION. CHECK LATEST REVISION OF THE SUPPLIER SPECIFICATION FOR TERMINAL PROPERTIES

2 CONNECTOR OPERATING INSTRUCTIONS

2.1 ASSEMBLY OF THE CONNECTOR

- 1 FEMALE HOUSING
- 2 SLIDER RIGHT
- 3 SLIDER LEFT
- 4 SPACER (TPA)
- 5 PERIPHERAL SEAL
- 6 MAT SEAL
- 7 MAT SEAL COVER

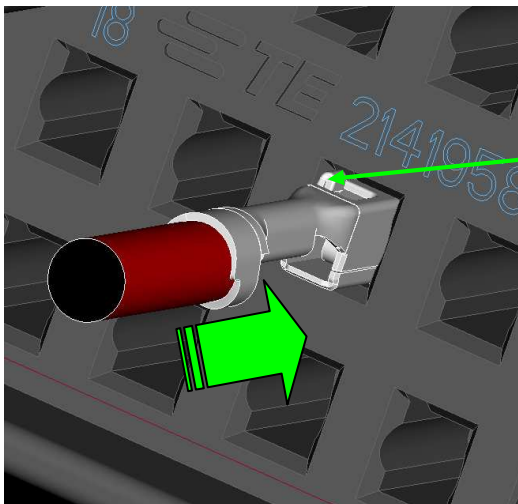


2.2 TERMINAL INSERTION / REMOVAL INSTRUCTIONS

2.2.1 TERMINAL INSERTION

GENERATION Y (0.64)

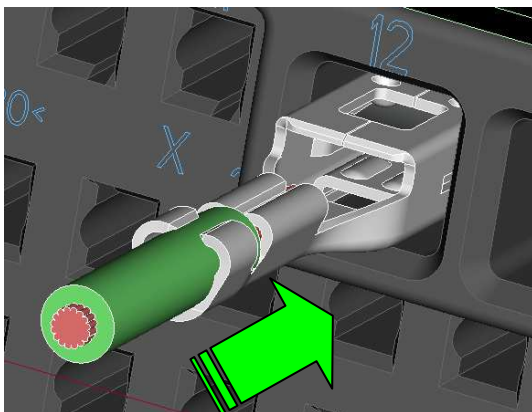
INSERT TERMINALS STRAIGHT IN CAVITIES UNTIL "CLICK".



TERMINAL ORIENTATION
FEATURE

FCI APEX 2.8

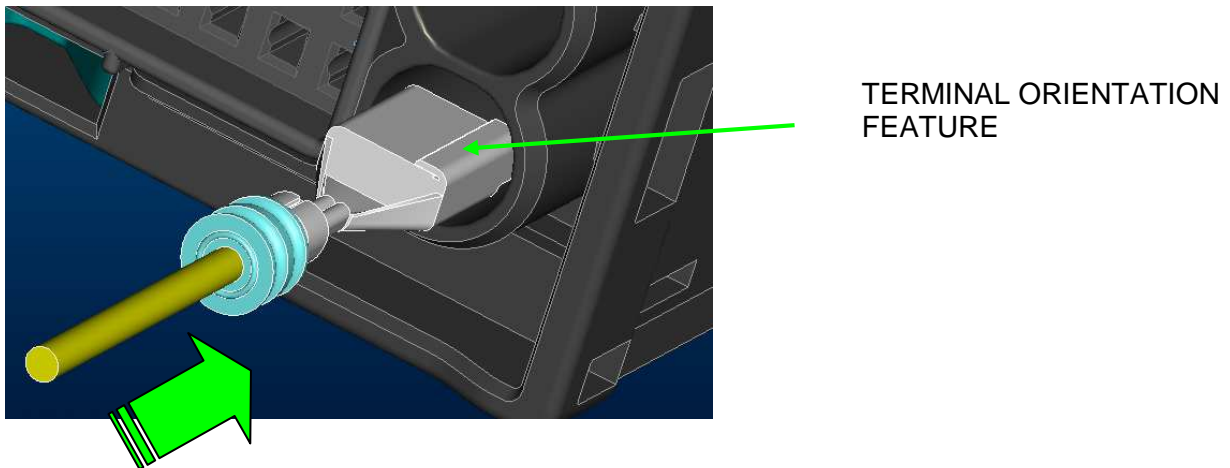
INSERT TERMINALS STRAIGHT IN CAVITIES UNTIL "CLICK".



NO TERMINAL
ORIENTATION FEATURE

YAZAKI 6.3

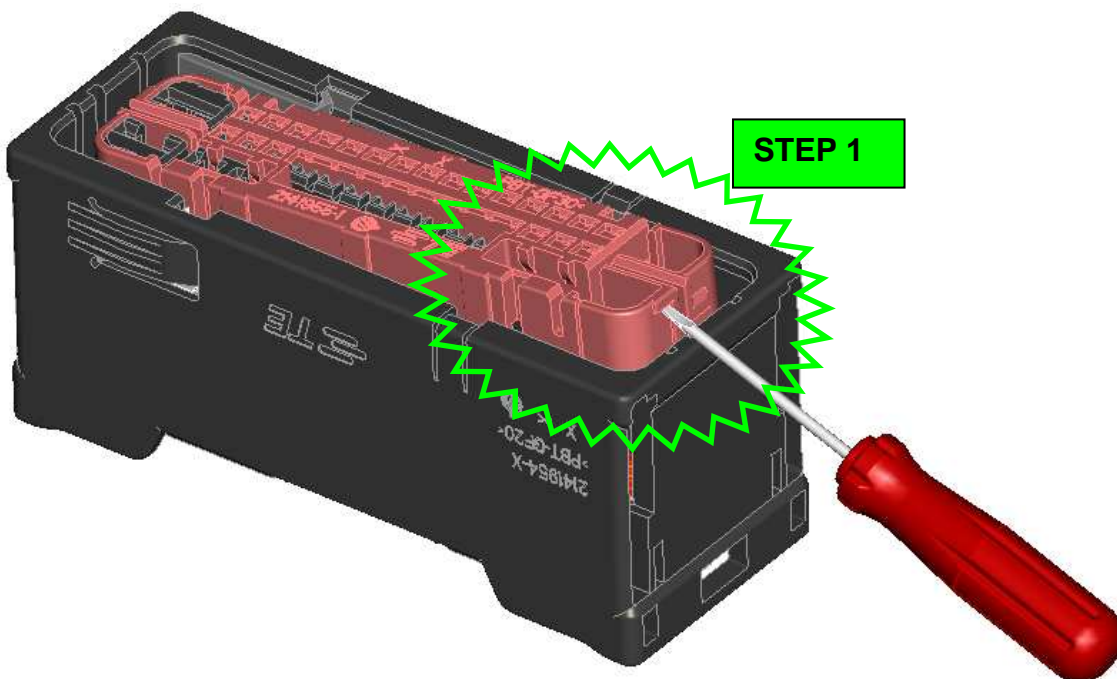
INSERT TERMINALS STRAIGHT IN CAVITIES UNTIL "CLICK".

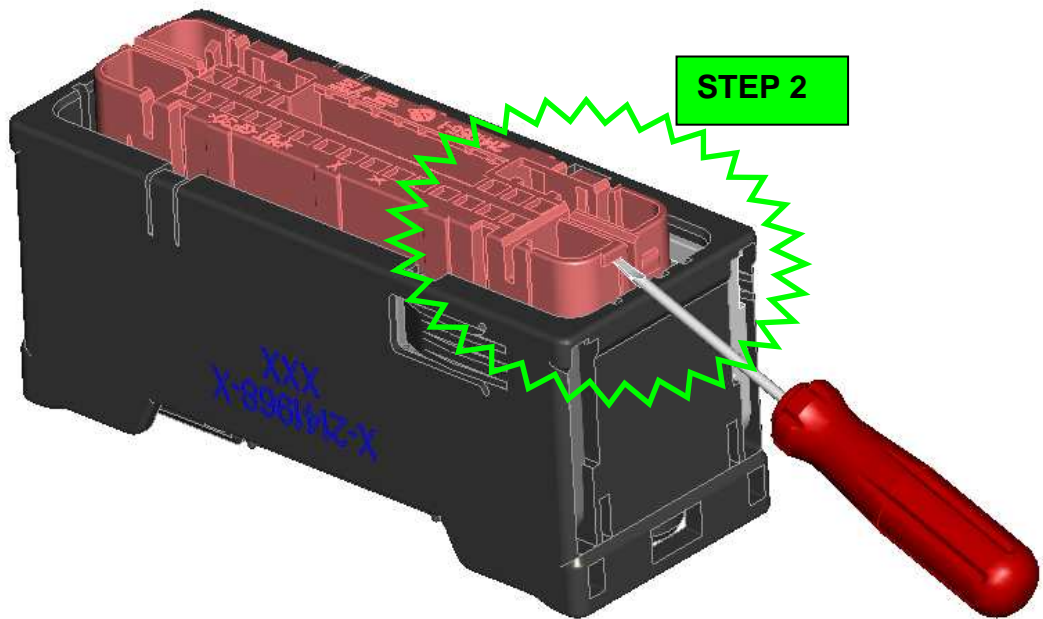
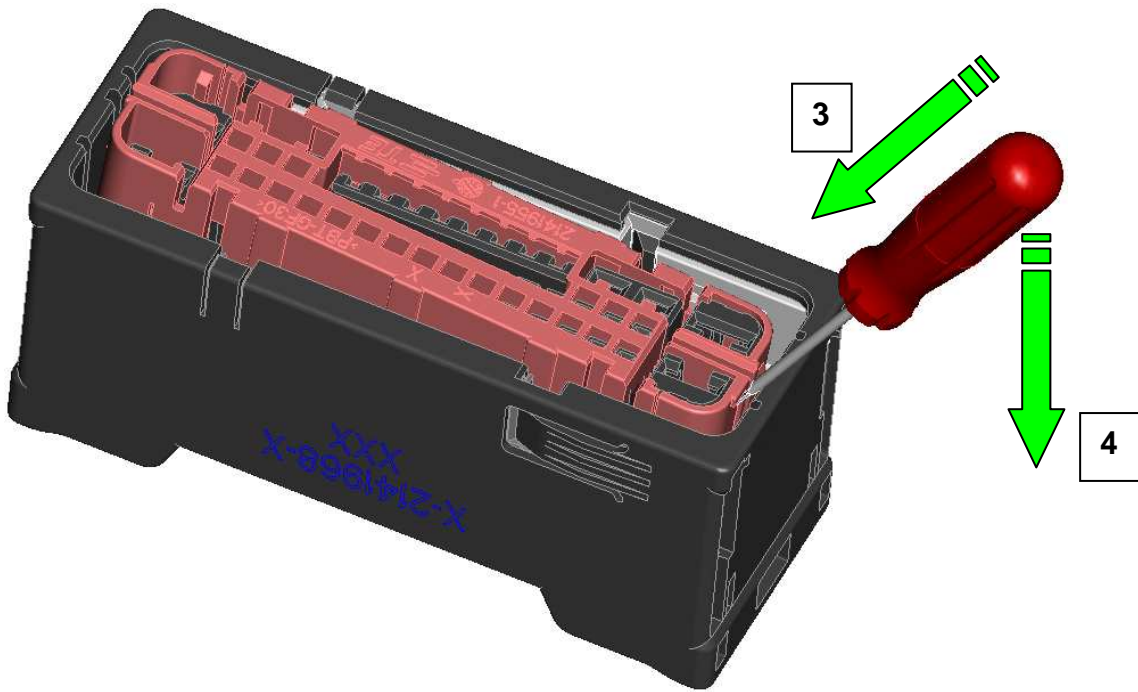
**NOTE:**

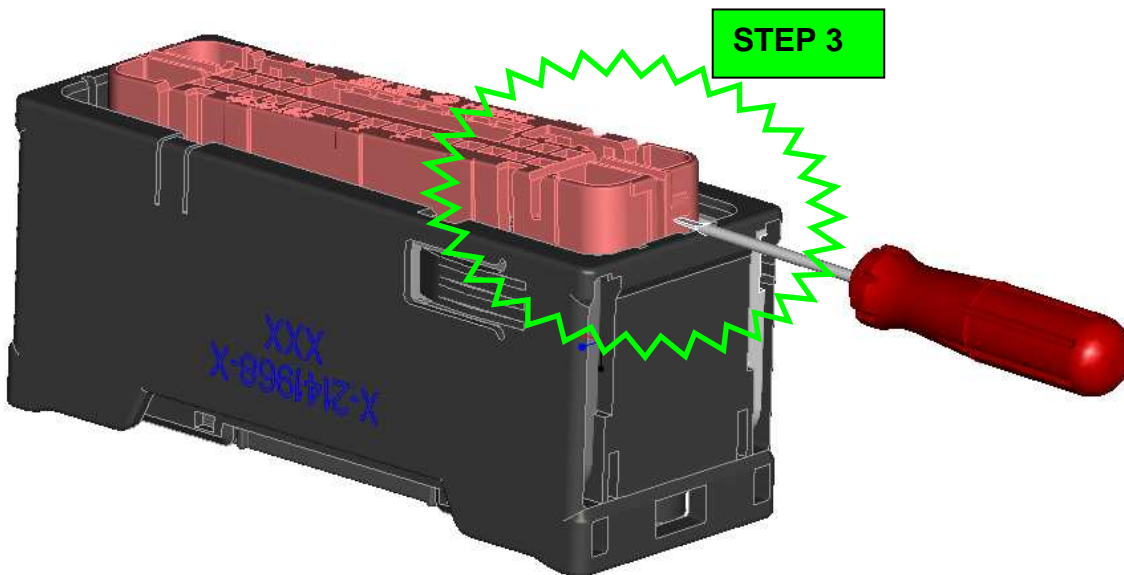
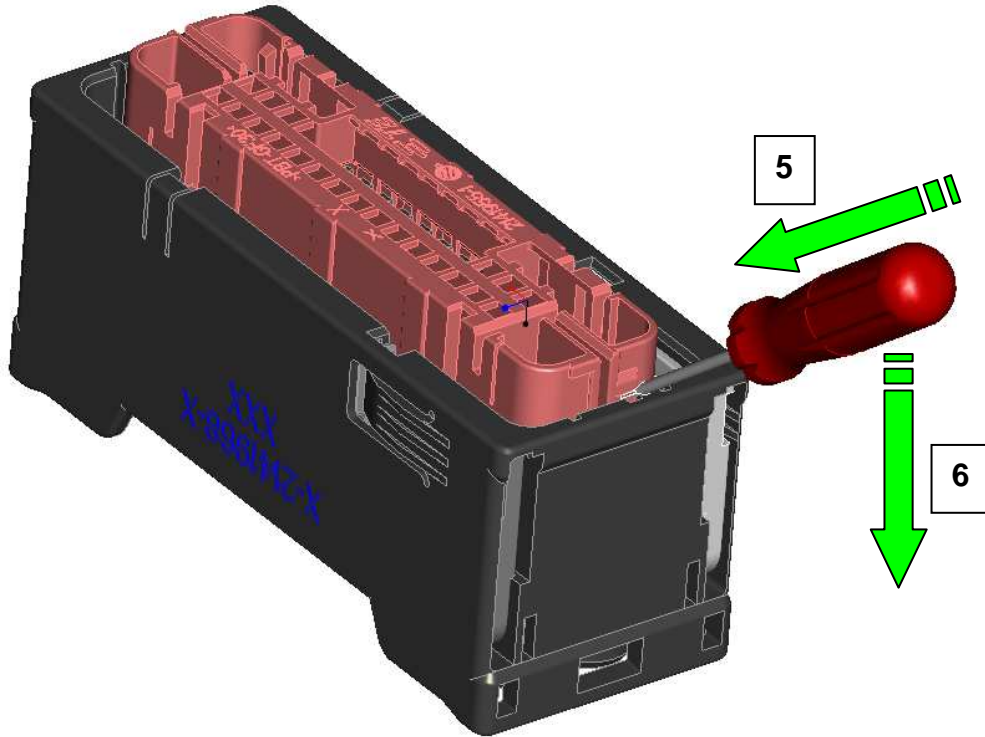
AFTER TERMINAL INSERTION OPERATION THE SPACER (TPA) MUST BE MOVED FROM PRE-LOCK POSITION TO FULLY ENGAGED POSITION.

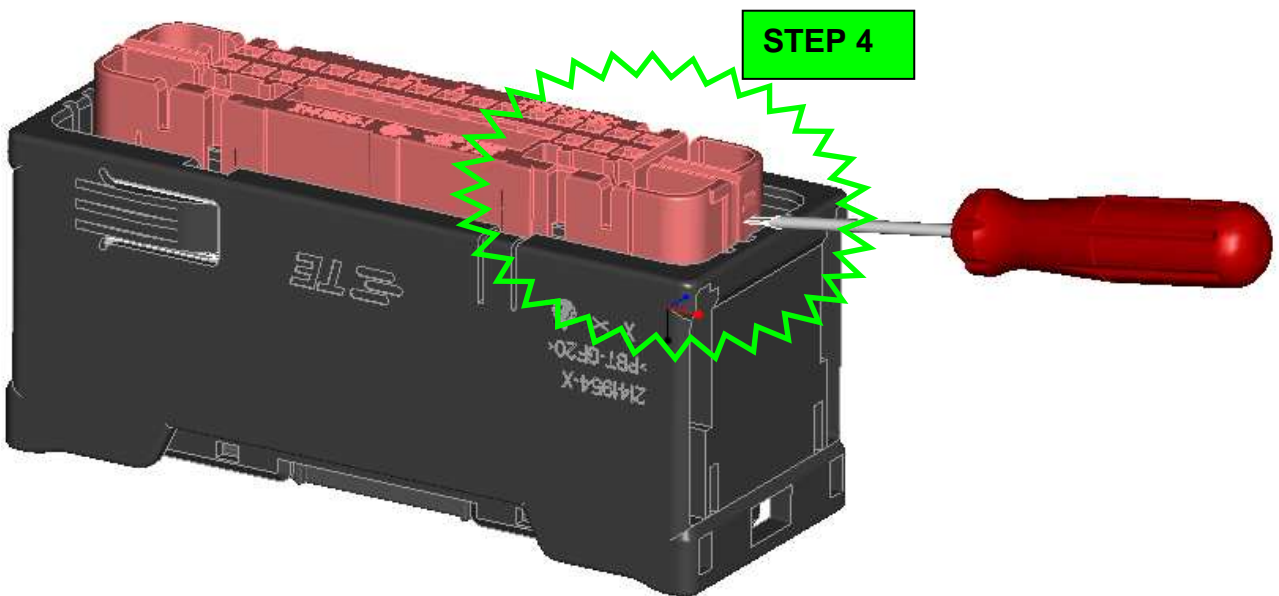
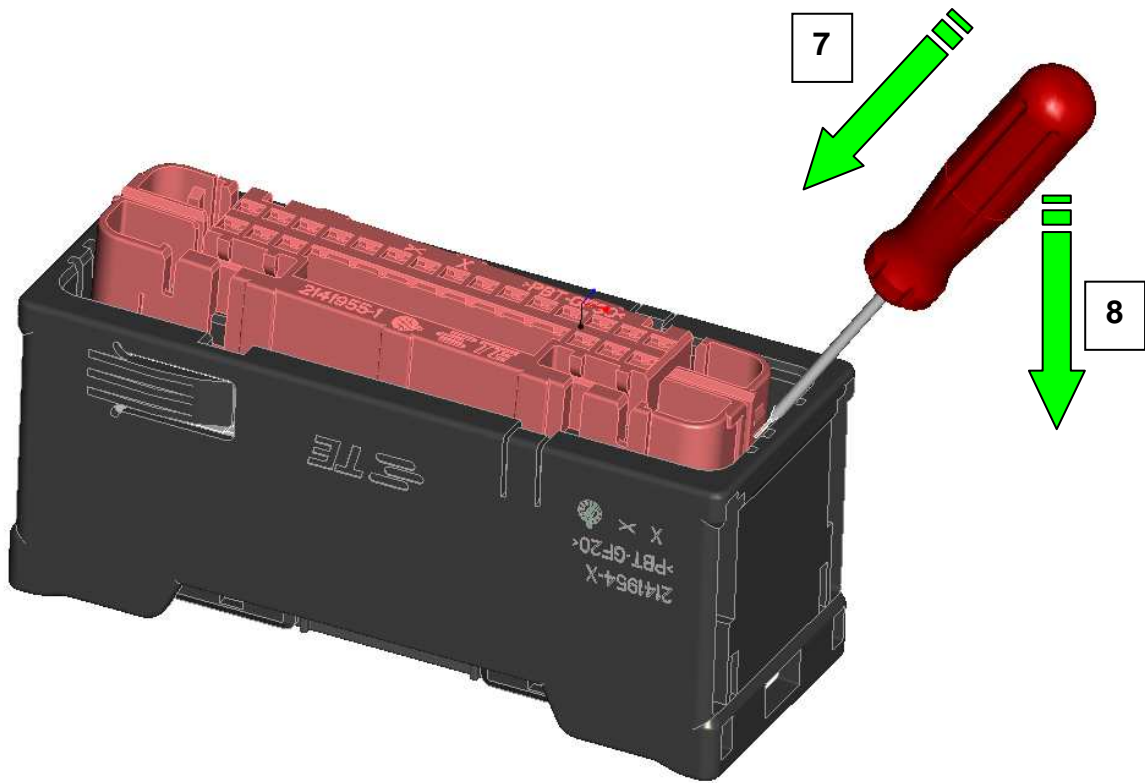
2.2.2 SPACER (TPA) REMOVAL

SPACER (TPA) IN FULLY ENGAGED POSITION.





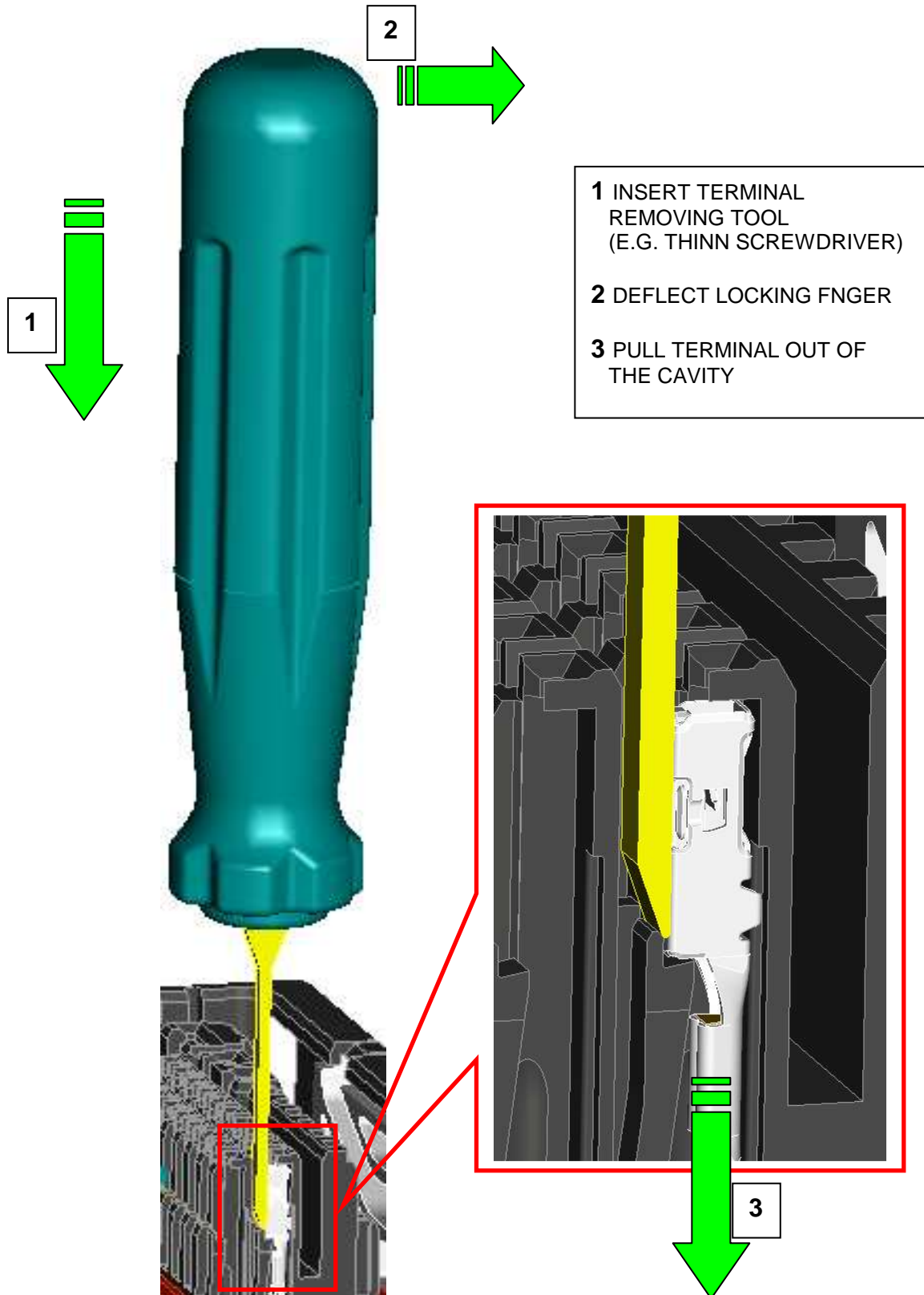




NOTE: TPA (SPACER) CAN NOW BE TAKEN AWAY FROM THE HOUSING

2.2.3 TERMINAL EXTRACTION –APPLY TO ALL TERMINALS**NOTE:**

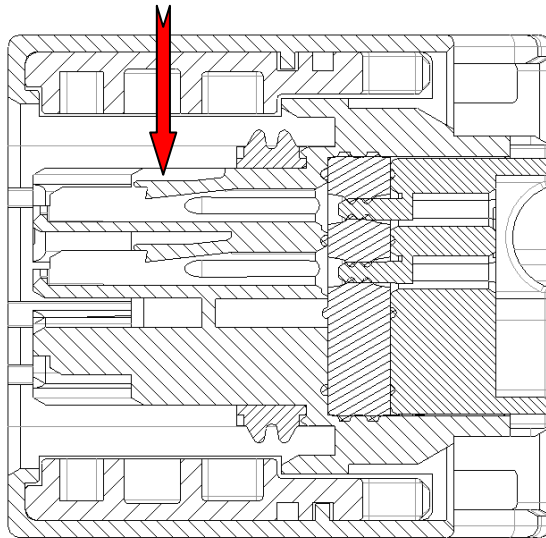
TPA (SPACER) MUST BE FULLY REMOVED BEFORE TERMINAL REMOVAL OPERATIONS!



Attention for Generation Y terminal removal:

- 2 rows (contact cavities 4-11; 15-29) - standard cavities with overstress wall
- 1 row (contact cavities 31-45): no overstress wall. Locking finger deflection limited to max 0.6mm. Take care during terminal removal operation.

Locking finger may break if overdeflected



TE recommendation: Use a deflection-stop tool as shown below. APPENDIX A shows the dimensions of the tool



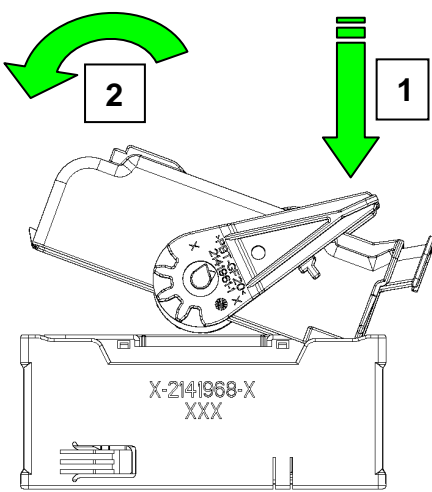
PLACE THE DEFLECTION-STOP TOOL ON THE HOUSING WALL BESIDE OF THE CONTACT CAVITIES 31-45 AS SHOWN AND PERFORM THE TERMINAL EXTRACTION OPERATION AS DESCRIBED ABOVE

2.3 WIRE OUTER DIAMETER REQUIREMENTS FOR SEALING (MAT SEAL)

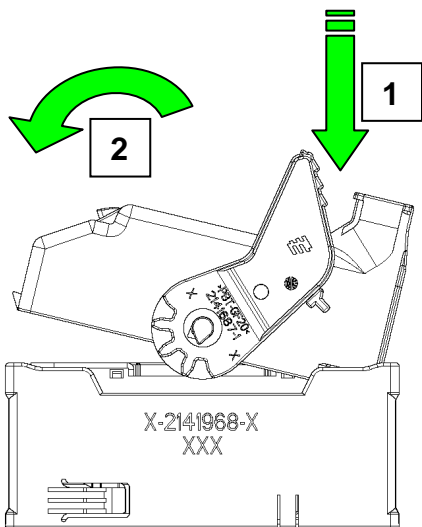
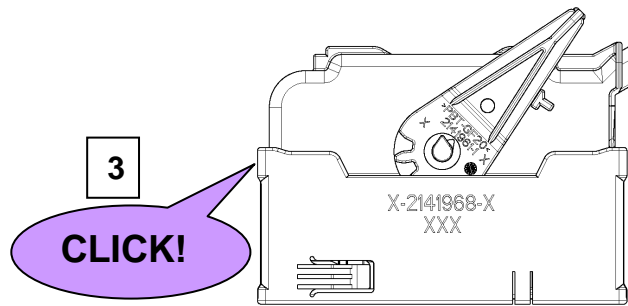
PLEASE SEE CUSTOMER DRAWING

2.4 COVER MOUNTING / REMOVAL INSTRUCTIONS FOR CABLE EXIT 180°/90°

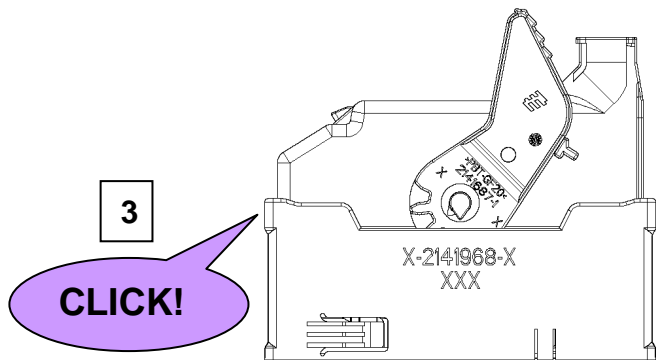
2.4.1 COVER MOUNTING



0-2141969-2 (180°)

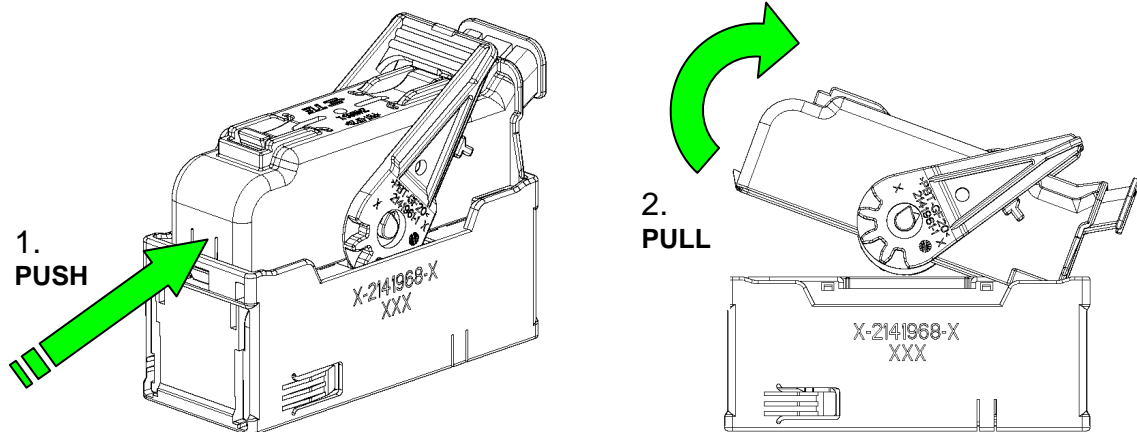


0-2141685-1 (90°)



NOTE: BEFORE MOUNTING THE COVER MAKE SURE THAT THE SLIDERS AND LEVER ARE AT PRE-LOCKED POSITION (DELIVERY CONDITION SHOWN ON CUSTOMER DRAWING).

2.4.2 COVER REMOVAL -APPLY TO BOTH 180° AND 90° WIRE COVERS-

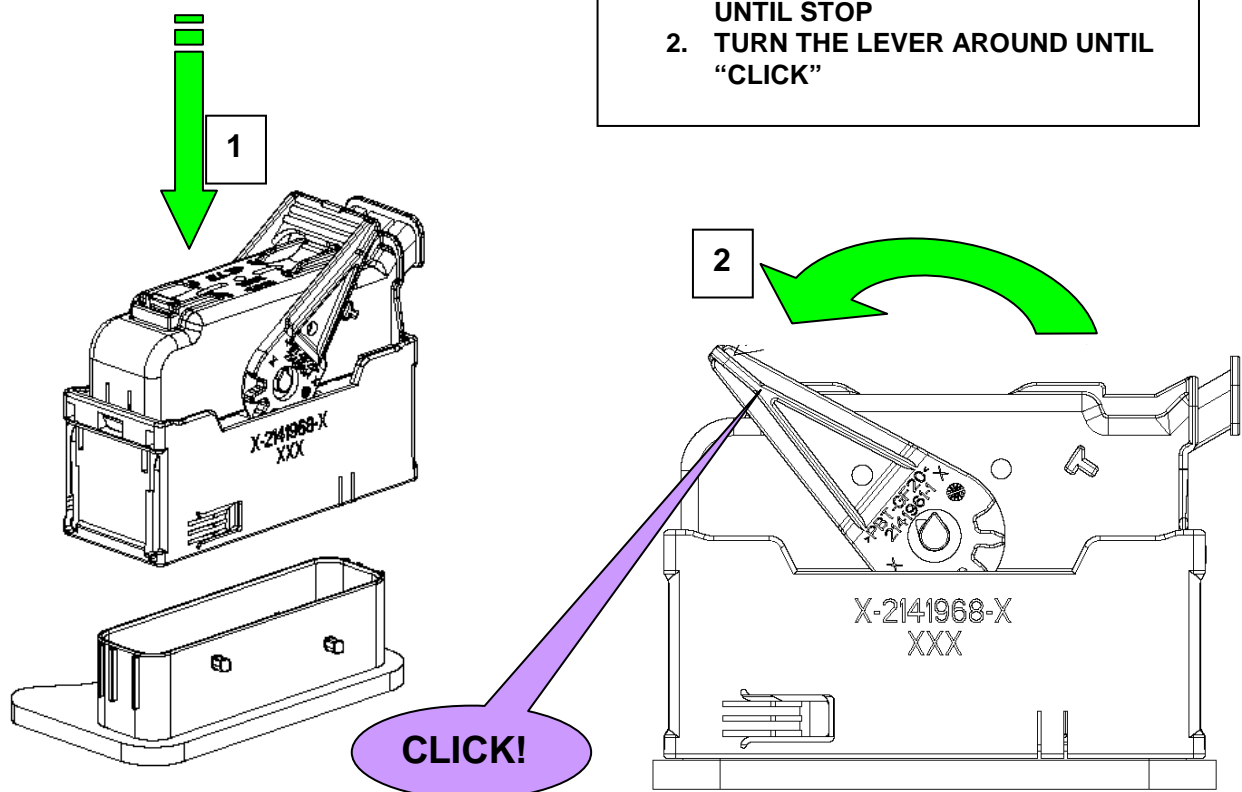


3 CONNECTOR MATING / UNMATING ON / FROM AGGREGATE HEADER -APPLY TO BOTH 180° AND 90° WIRE COVERS-

3.1 CONNECTOR MATING

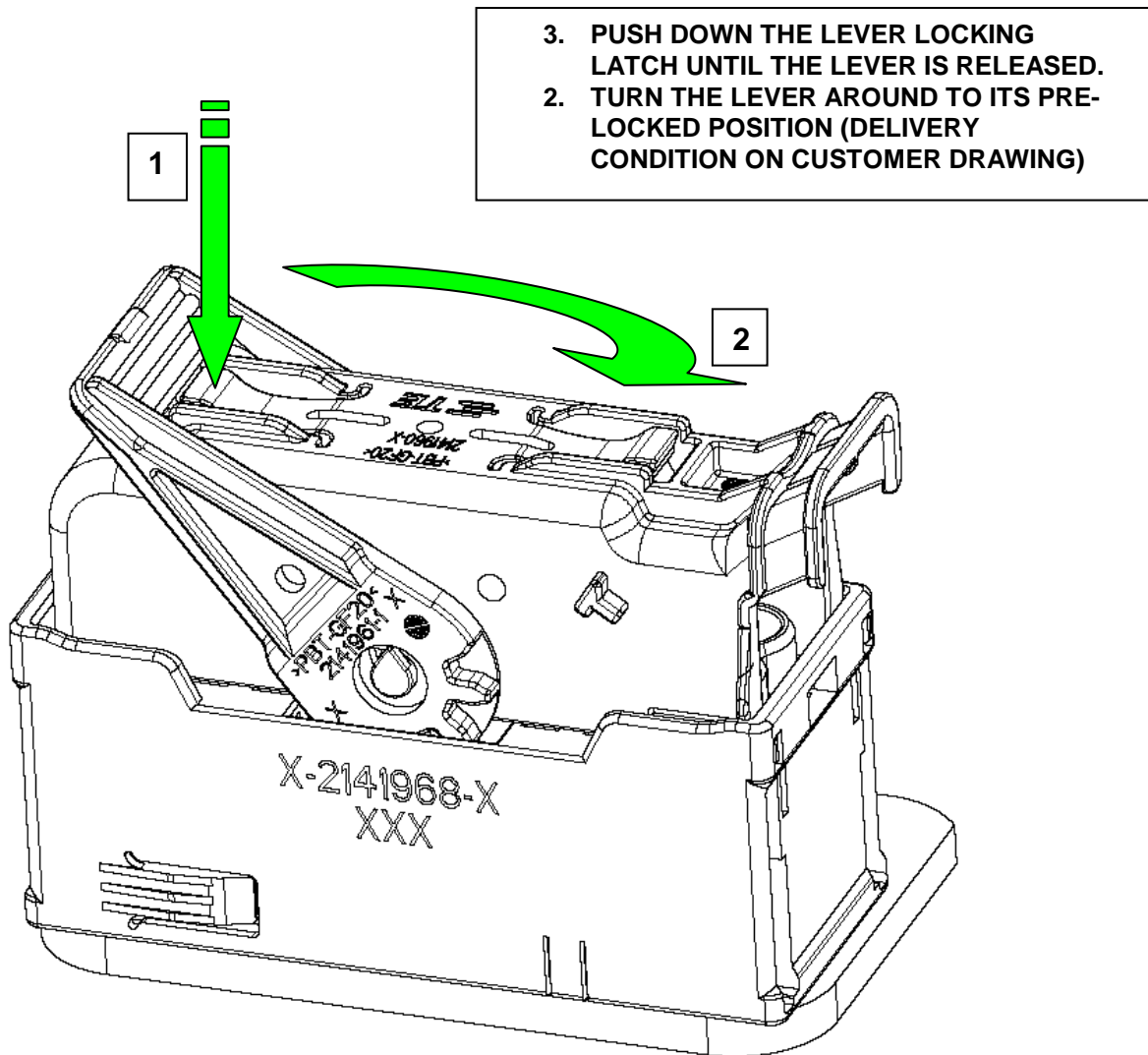
NOTE:

BEFORE MATING THE CONNECTOR ON THE AGGREGATE HEADER MAKE SURE THAT THE LEVER IS AT PRE-LOCKED POSITION (DELIVERY CONDITION SHOWN ON CUSTOMER DRAWING).



1. INSERT MANUALLY THE CONNECTOR ON THE AGGREGATE HEADER UNTIL STOP
2. TURN THE LEVER AROUND UNTIL "CLICK"

3.2 CONNECTOR UNMATING



APPENDIX A

