

Class 1

**Application Specification Vehicle Charge Inlet Type
CCS1 120 mm²**



Content

| | | |
|-----------|---|-----------|
| 1. | SCOPE | 3 |
| 1.1. | Content..... | 3 |
| 1.2. | Processing Note..... | 3 |
| 2. | APPLICABLE DOCUMENTS | 4 |
| 2.1. | TE Connectivity Documents..... | 4 |
| 2.2. | General Documentation..... | 6 |
| 3. | APPLICATION TOOLS | 7 |
| 4. | WIRES | 7 |
| 4.1. | Assessment of the wires..... | 7 |
| 4.2. | Wire selection..... | 7 |
| 4.3. | Wire preparation..... | 7 |
| 5. | REQUIREMENTS ON THE CRIMPED CONTACT WITH W-CRIMP SHAPE (closed barrel) | 8 |
| 5.1. | Conductor position..... | 8 |
| 5.2. | Crimp Geometry..... | 8 |
| 5.3. | Cross Sections..... | 9 |
| 5.4. | Wire pull-out forces..... | 9 |
| 5.5. | Crimp Position..... | 10 |
| 5.6. | Contact area..... | 10 |
| 5.7. | Sealing area..... | 10 |
| 5.8. | Shape and position tolerances..... | 11 |
| 5.9. | Measuring equipment and measuring position..... | 11 |
| 6. | REQUIREMENTS ON THE WELD CONTACT WITH WELDING FLAG..... | 12 |
| 7. | ASSEMBLY INSTRUCTIONS | 13 |
| 7.1. | Assembly overview Charge Inlet Combo1..... | 13 |
| 7.2. | Parts to order..... | 15 |
| 7.3. | Assembly Configurations Cable Exit..... | 18 |
| 7.4. | Kits to order..... | 19 |
| 7.5. | Security Advice..... | 22 |
| 7.6. | Assembly Steps..... | 20 |
| 7.7. | End of Line Test..... | 40 |
| 8. | TORQUE VALUE FOR M6 SCREWS | 41 |
| 9. | MINIMUM LENGTH FOR CABLE FIXATION | 42 |

1. SCOPE

1.1. Content

This specification describes the assembly and handling of the vehicle charge inlets Combo 1 acc. IEC62196-3 for conductive charging of electric vehicles with AC current and DC current for fast charging. This specification applies to manual assembly of the components in series production configuration.

1.2. Processing Note

The processor is responsible for the quality of the manufacturing process to ensure the correct function of the system. The warranty and liability are excluded if quality deficiency or damages occur due to non-compliance to this specification or use of not specified or not released tools, cables, and components.

2. APPLICABLE DOCUMENTS

The following technical documents, if referred to, are part of this specification. In case of a contradiction between this specification and the product drawing or this specification and the specified documentation, the product specification has priority.

2.1. TE Connectivity Documents

a) Customer drawings for inlet type Combo 1

| | |
|---|---------|
| CHARGE INLET ASSY WITH /WITHOUT AC AND WITH /WITHOUT LED CCS1 | |
| INLET HSG, COMBO1, ASSY | 2402048 |
| PIN CONTACT SERIES 3.6, 6 mm ² 6μm Ag | 2293266 |
| COMBO 1, CHARGE INLET HSG, CAVITY PLUG | 2389290 |
| PIN CONTACT, DIA 2.8, PE (25 mm ²) | 2293267 |
| PROTECTION CAP, WATER DRAIN | 2292534 |
| SEALING DC TERMINAL | 2338077 |
| PIN, DIA8.0 CONTACT ASSY, TYP1 (120 mm ²) | 2402050 |
| CABLE EXIT, With / Without AC | 2390858 |
| PERIPHERAL SEAL, CHARGE INLET, COMBO | 2338079 |
| SINGLE WIRE SEAL, PE, 25 mm ² | 2418661 |
| STRAIN RELIEF, PE, 25 mm ² | 2390861 |
| CABLE COVER, PE, 25 mm ² | 2369840 |
| SINGLE WIRE SEAL, AC | 2402051 |
| STRAIN RELIEF, AC | 2401254 |
| COVER, CABLE SEAL, AC | 2401256 |
| GROMMET SEAL, 7X0.35/0.5 mm ² WIRE | 2418662 |
| GROMMET SEAL, 11X0.35/0.5 mm ² WIRE | 2401251 |
| LV WIRE COVER | 2369838 |
| RADIAL SEAL, 120 mm ² | 2399667 |
| STRAIN RELIEF, 120 mm ² | 2399668 |
| DC, SINGLE SEAL COVER, 120 mm ² | 2399669 |
| MQS CAVITY PLUG | 963143 |
| FLAP CARRIER, INLET COMBO, ASSY, LEFT / RIGHT, WITH / WITHOUT LED | 2358664 |

b) Specifications

| | |
|-----------|---|
| 108-94867 | Product Spec. Vehicle Charge Inlets Combo 1 |
| 114-13000 | Application Specification Micro Mate-N-Lock Connectors |
| 108-94519 | Product Specification Vehicle Charge Inlet Actuator GEN 2 |
| 114-94842 | Dia 8 mm, Pin Terminal, Welding Application of Ultrasonic Weld Connection |
| 114-18061 | Application Specification MQS Connectors sealed |

2.2. General Documentation

Cable Specifications of Prescribed Cables

AC-cable: cross-section 2 x 6.0 mm²

| | |
|---------------------|--|
| Supplier | Coroplast |
| Outer Diameter | 12.5±0.3 mm |
| Min. bending radius | 3xD (static) |
| Cable description | <i>FHLR2GCB2G 2x6.0mm² similar LV216-2 class F (T200) TPJLR.18.007, Issue 3</i> |
| Supplier Part No.: | 9-2641 (2x6mm ²) |

DC-HV-Cable : Cross-section 120 mm²

| | |
|--------------------|--|
| Supplier | HUBER+SUHNER |
| Outer Diameter | 22.6 + 0.4 mm |
| Cable description: | <i>FHLR91XC13X and FHLR4GC13X (RADOX 155(S))</i> |
| Supplier Part No.: | 84103410 |

PE-cable: cross-section 25 mm²

| | |
|--------------------|-----------------------|
| Supplier | HUBER+SUHNER |
| Outer Diameter | 8.20mm ±0.20 mm |
| Cable description | AUTOL 155 25MM2P GNYE |
| Supplier Part No.: | 85066283 |

Signal-cable: cross-section 0,5 mm²

| | |
|--------------------|-------------------|
| Supplier | Several |
| Outer Diameter | 1.6-0.2 mm |
| Cable description | <i>FLRY-0.5 A</i> |
| Supplier Part No.: | 515274 |

3. APPLICATION TOOLS

To produce a correct wire crimp, as validated by TE with the wires listed in this specification, following application tools are required.

| Wire Size [mm ²] | Stripping Length single wire for crimp [mm] | Crimp /WELD height CH ₁ [mm] | Cable Specification | Supplier | Contact P/N | Geometry | Applicator | TE Crimp Validation is based on crimp press stroke / cycle time |
|------------------------------|---|---|---|------------------|-------------|----------|------------|---|
| 0.5 | 3.2 ± 0.1 | 0.89 ± 0.05 | FLRY-A 0.5mm ² | SEVERAL | 0-794606-1 | F | 2151022-1 | G-Terminator PN 354500-1 Cycle Time:<500ms |
| 2x6 | 13,0 ± 1 | 3,7 ± 0,1 | FHLR2G2GCB2G 2x6.0mm ² | COROPLAS T | 2-2293266-3 | W | 2326368-1 | Hanke 971-200. Cycle time: 1.7 - 2.5s Stroke: 44mm |
| 25 | 18,0 ± 1 | 6,3 ± 0,1 | AUTOL 155 25MM2P GNYE 25 mm ² | HUBER+ SUHNER | 2293267-5 | | 2276149-6 | |
| 120 | Acc. to application specification 114-94842 | | | | | | | |

Table 1

Crimp Die Sets are subject to wear and their condition and quality must be monitored. Suspect and/or worn Die Sets have not to be used for the production of these crimps. Die Sets are available as spare parts.

4. WIRES

4.1. Assessment of the wires

To ensure the required electrical crimp contractability with stable crimp resistance a permissible maximum storage period of 8 months for unprocessed cable (referring to cable manufacturer production date) has to be respected.

4.2. Wire selection

The contact system is released for the application with wires specified in chapter 2.2
The released contact-wire-combinations and crimp parameters are given in table 1.

Other wires require the validation and approval of the TE engineering department.
The wires are applied as single wire terminations. Double terminations are not intended.

4.3. Wire preparation

The cable has to be cut accurately with a 90 deg angle.

The cable insulation must be stripped before crimping. The stripping length of the outer insulation and shield is defined in the following Assembly Steps.

The insulation must be cut accurately and pulled off from the conductor. Offcut of insulation must not remain on the conductor. Single strands may not be damaged, fanned out, cut or pulled out. Furthermore, the operator should avoid touching the bare single strands and the strands shall not be twisted. All single strands need to be caught in the crimp and not a single strand must remain outside the crimp.

5. REQUIREMENTS ON THE CRIMPED CONTACT WITH W-CRIMP SHAPE (CLOSED BARREL)

The following terms shown below are used in this specification, see Figure 1.

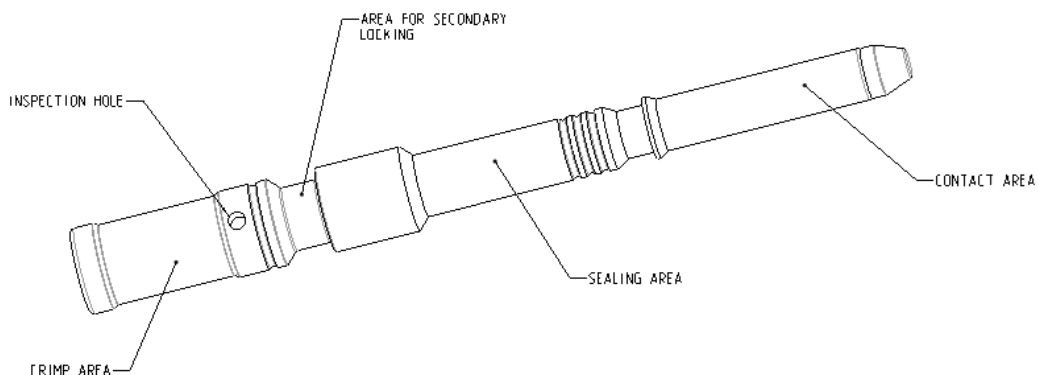


Figure 1

5.1. Conductor position

The single strands of the conductor are clamped inside the crimp area. All single strands need to be caught in the crimp and not a single strand must remain outside the crimp. The wire end must be fully inserted into the crimp area and has to be checked via the inspection hole after crimping. Insulation must not be inside of the crimping area, see Figure 2

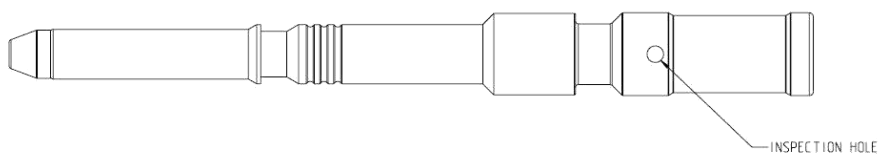


Figure 2

5.2. Crimp Geometry

The crimp geometry, crimp heights including their corresponding tolerances as well as wire sizes are given in table 1.

The crimp height is the key quality feature of a crimp connection. The measurement allows a non-destructing examination and a continuous process inspection. It is provided for every wire size and contact. The crimp height is given in table 2.

Crimp height and width may also be measured in a cross-section image. The mechanical operated measurement though is preferred.

During the application process the crimp height must be checked. This is valid for each batch and after every change or switchover of contact reel or wire bundle or applicator respective it's setup or components.

The crimp height has to be measured over both extensions in middle of the crimp, Figure 3:



Figure 3 (picture exemplarily)

5.3. Cross Sections

When creating cross-sections, the correct grinding layer must be selected. The Grinding layer had to be at middle of crimp area and may not be inside of serration, see Figure 4.

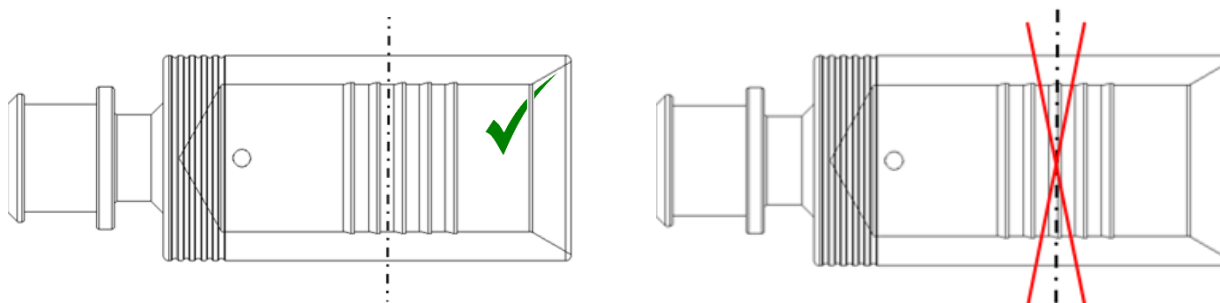


Figure 4 (picture exemplarily)

5.4. Wire pull-out forces

Measurement of wire pull-out forces from the wire crimp is a supporting manufacturing control.

The pull-out forces must fulfil the requirements according to application specification 114-94391.

5.5. Crimp Position

The TE applicator positions the contacts in the crimping tool at middle position as shown, Figure 5 and 6. Correct position and condition of applicator has to be checked for every production lot.

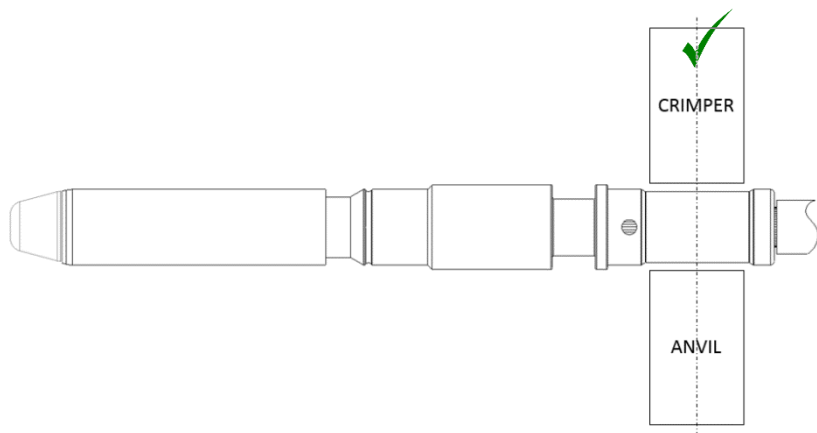


Figure 5 (picture exemplarily)

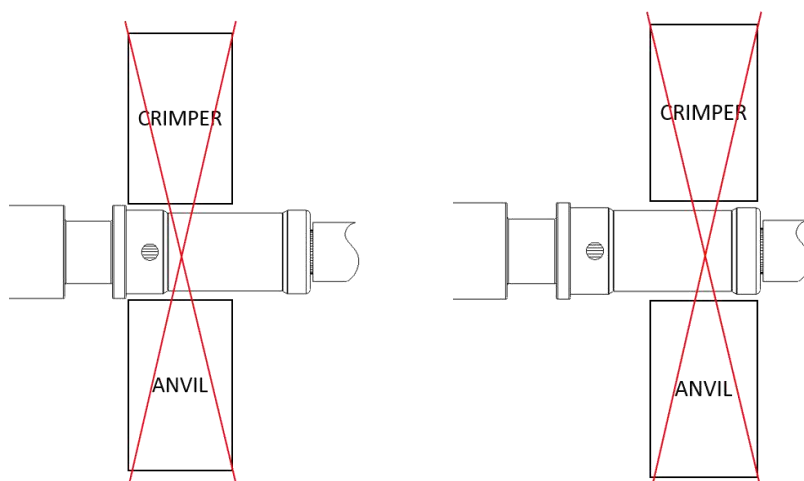


Figure 6 (picture exemplarily)

5.6. Contact area

During processing and following processing, the contact area may not be damaged or bended.

5.7. Sealing area

During processing and following processing, the sealing area may not be damaged or bended

5.8. Shape and position tolerances

Measuring the shape and position deviation is not always necessary if the contact is obviously straight by eye. In case a measurement is required, the measurement equipment required at least a 10-time better measuring precision compared with the requirement tolerances, see Figure 7 and 8.

Meeting the specific shape and position tolerances must be ensured before the contact is inserted into the housing.

If contacts are bent during the application process and exceed the specified tolerances these must not be bent back or reworked but must be scrapped.

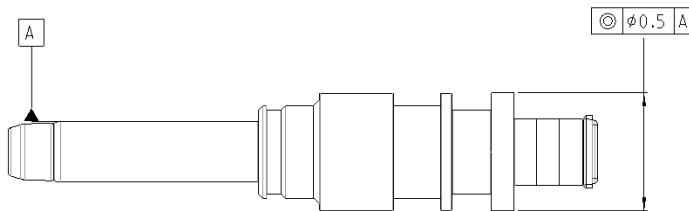


Figure 7 (picture exemplarily)

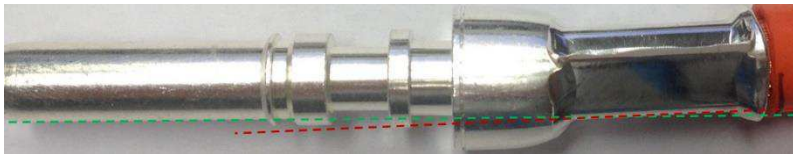


Figure 8 (picture exemplarily)

5.9. Measuring equipment and measuring position

As measuring equipment for measuring crimp height, a digital caliper with accuracy of measuring 0.01 mm is the minimum requirement. Measuring of crimp height had to be done according as following always in middle of crimp area across whole crimp, see Figure 9 and Figure 3.



Figure 9 (picture exemplarily)

6. REQUIREMENTS ON THE WELD CONTACT WITH WELDING FLAG

The welding of the 120 mm² cables on 180 DEG DC power contacts with weld flag geometry has to be processed according to Application Specification 114-94842.

7. ASSEMBLY INSTRUCTIONS

7.1. Assembly overview Charge Inlet Combo1

Charge Inlet Combo 1 without AC & with LED Kit

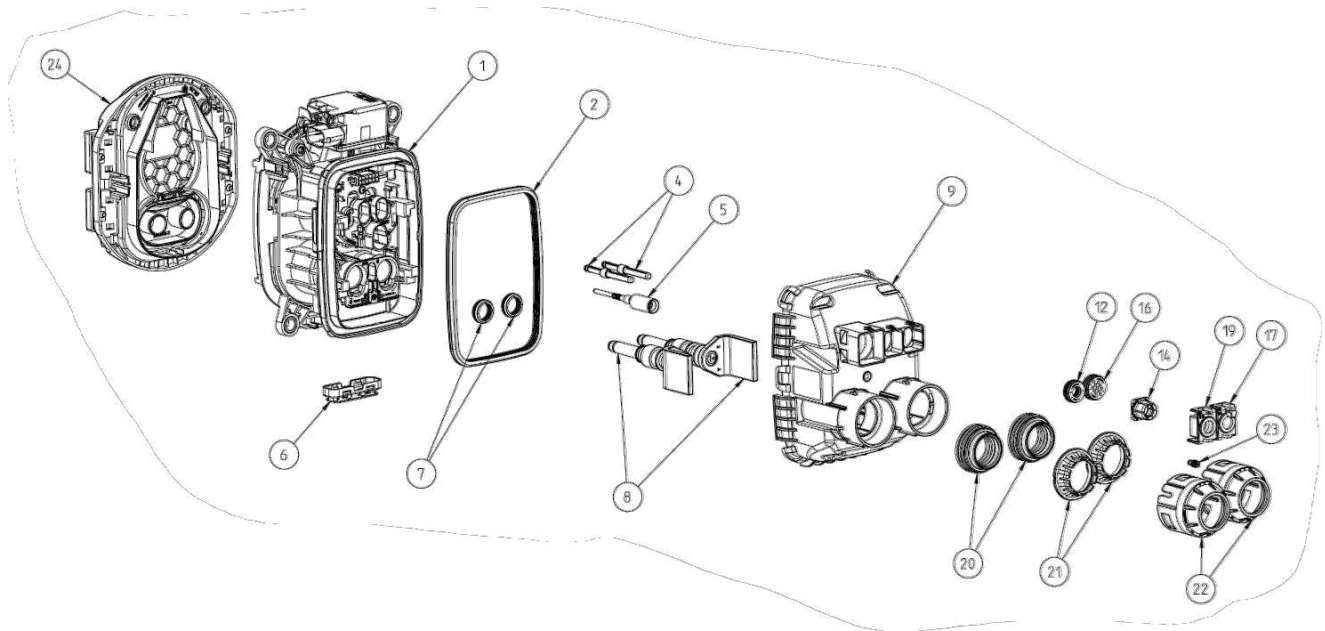


Figure 10a

Charge Inlet Combo 1 with AC & with LED

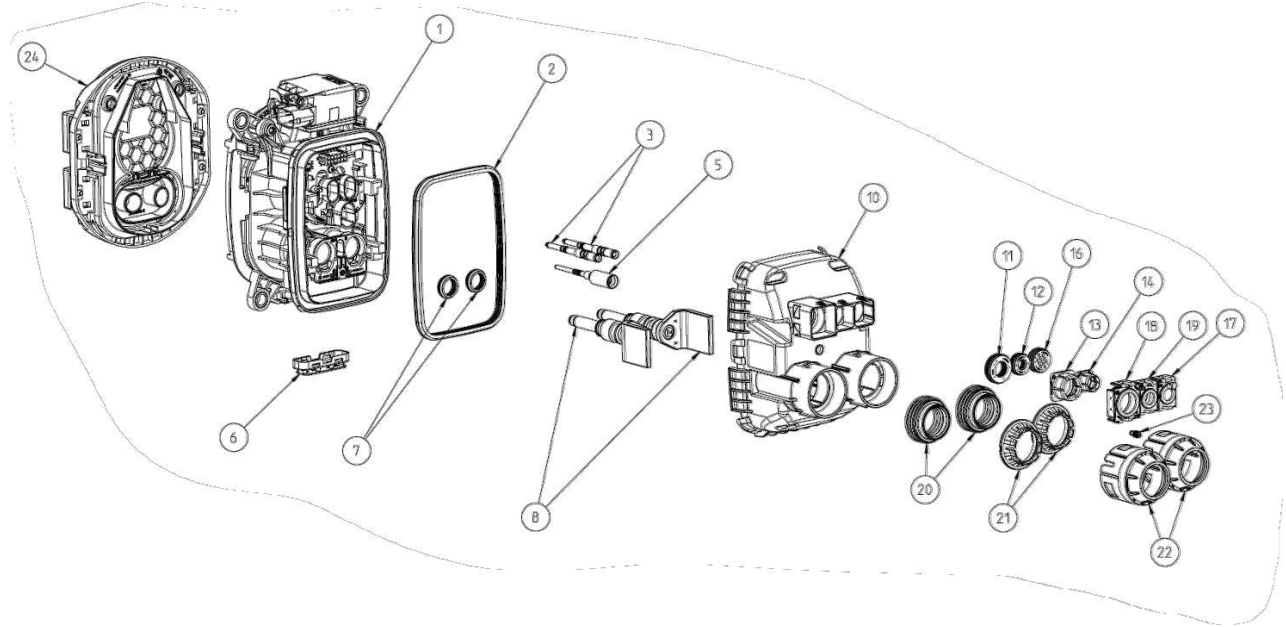


Figure 10b

Charge Inlet Combo 1 with AC & without LED

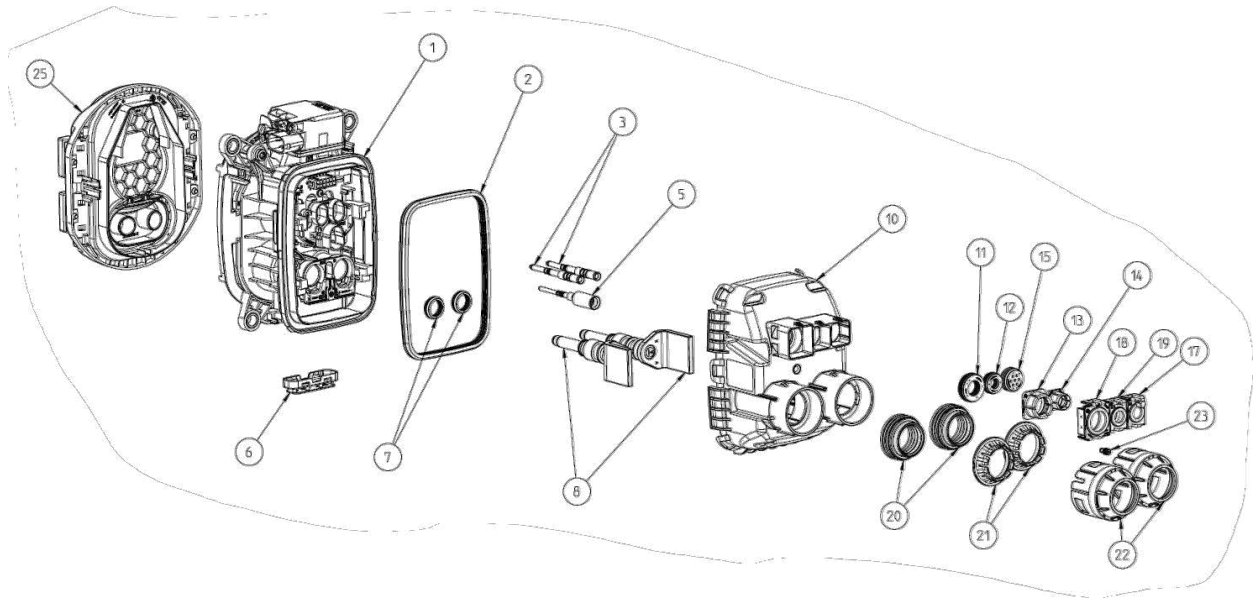


Figure 10c

Charge Inlet Combo 1 without AC & without LED

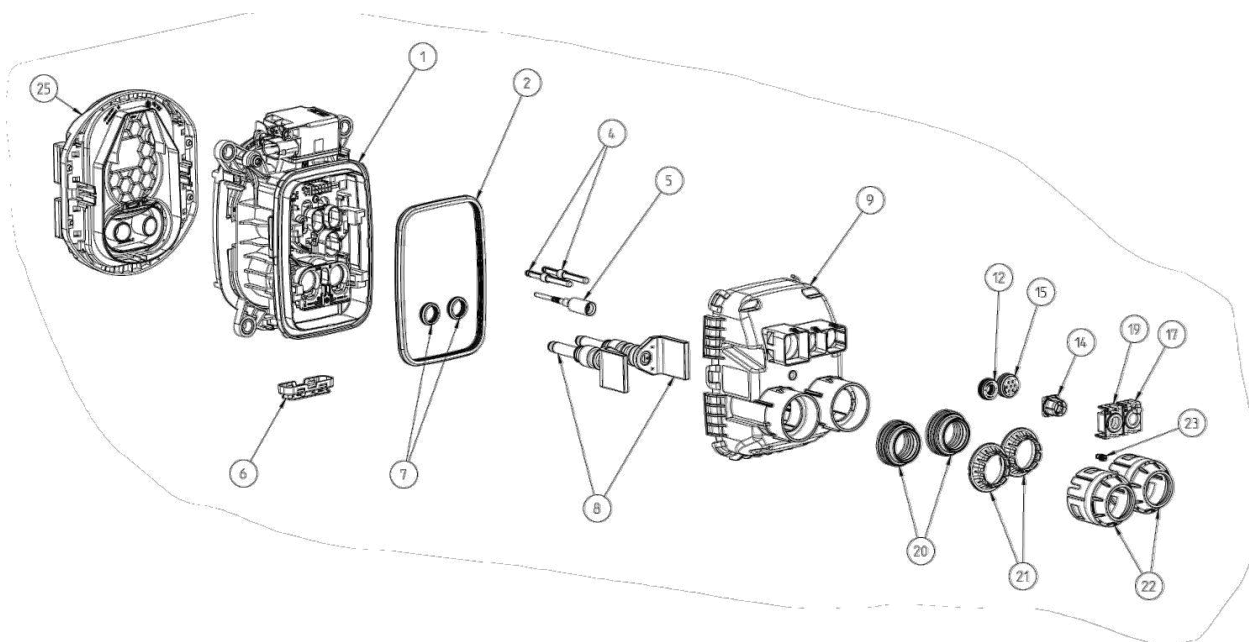


Figure10d

7.2.1 Parts to order for 12V Actuator Variants

| CHARGE INLET ASSY WITH LED CCS1 | | | Charge Inlet w/o AC & with LED | Charge Inlet with AC & With LED | Charge Inlet with AC & w/o LED | Charge Inlet with w/o AC & w/o LED |
|---------------------------------|------|---|---|---|---|---|
| Variant | | | Ground 25 mm ² DC 120 mm ² | AC-6 mm ² Ground 25 mm ² DC 120 mm ² | AC 6 mm ² Ground 25 mm ² DC 120 mm ² | Ground 25 mm ² DC 120 mm ² |
| Part | | | | | | |
| Pos | Qty. | Name | P/N | P/N | P/N | P/N |
| 1 | 1 | INLET HSG ASSY, COMBO1 | 2402048-1 | 2402048-1 | 2402048-3 | 2402048-3 |
| - | 1 | 12P MICRO MNL HSG (ADDITIONAL PART FOR CHARGE INLET CABLING) | 1-794617-2 | 1-794617-2 | 1-794617-2 | 1-794617-2 |
| | 7 | CONTACT MICRO MNL (0.5 mm ²) (ADDITIONAL PART FOR CHARGE INLET CABLING) | - | - | 0-794606-1 | 0-794606-1 |
| | 11 | CONTACT MICRO MNL (0.5 mm ²) (ADDITIONAL PART FOR CHARGE INLET CABLING) | 0-794606-1 | 0-794606-1 | - | - |
| 2 | 1 | PERIPHERAL SEAL, CHARGE INLET, COMBO | 2338079-1 | 2338079-1 | 2338079-1 | 2338079-1 |
| 3 | 2 | PIN CONTACT SERIES 3.6, 6 mm ² 6µm Ag | - | 2-2293266-3 | 2-2293266-3 | - |
| 4 | 2 | COMBO 1, CHARGE INLET HSG, CAVITY PLUG | 2389290-1 | - | - | 2389290-1 |
| 5 | 1 | PIN CONTACT, DIA 2.8, PE (25 mm ²) | 2293267-5 | 2293267-5 | 2293267-5 | 2293267-5 |
| 6 | 1 | PROTECTION CAP, TE, WATER DRAIN | 2292534-1 | 2292534-1 | 2292534-1 | 2292534-1 |
| 7 | 2 | SEALING DC TERMINALS | 2338077-1 | 2338077-1 | 2338077-1 | 2338077-1 |
| 8 | 2 | PIN DIA 8.0, 180 DEG, CONTACT, ASSY TYP 1, (120 mm ²) | 2402050-1 | 2402050-1 | 2402050-1 | 2402050-1 |
| 9 | 1 | CABLE EXIT, WITHOUT AC | 2390858-1 | - | - | 2390858-1 |
| 10 | 1 | CABLE EXIT, WITH AC | - | 2390858-2 | 2390858-2 | - |
| 11 | 1 | SINGLE WIRE SEAL, AC | - | 2402051-1 | 2402051-1 | - |
| 12 | 1 | SINGLE WIRE SEAL, PE | 2418661-1 | 2418661-1 | 2418661-1 | 2418661-1 |
| 13 | 1 | STRAIN RELIEF, AC | - | 2401254-2 | 2401254-2 | - |
| 14 | 1 | STRAIN RELIEF, PE | 2390861-1 | 2390861-1 | 2390861-1 | 2390861-1 |
| 15 | 1 | GROMMET SEAL, 7X0.35/0.5 mm ² WIRE | - | - | 2418662-1 | 2418662-1 |
| 16 | 1 | GROMMET SEAL, 11X0.35/0.5 mm ² WIRE | 2401251-1 | 2401251-1 | - | - |

| | | | | | | |
|----|---|---|--------------------------------------|--------------------------------------|--------------------------------------|--------------------------------------|
| 17 | 1 | LV WIRE COVER | 2369838-1 | 2369838-1 | 2369838-1 | 2369838-1 |
| 18 | 1 | CABLE COVER, AC | - | 2401256-1 | 2401256-1 | - |
| 19 | 1 | CABLE COVER, PE | 2369840-3 | 2369840-3 | 2369840-3 | 2369840-3 |
| 20 | 2 | SINGLE WIRE SEAL DC, 120 mm ² | 2399667-3 | 2399667-3 | 2399667-3 | 2399667-3 |
| 21 | 2 | STRAIN RELIEF DC, 120 mm ² | 2399668-3 | 2399668-3 | 2399668-3 | 2399668-3 |
| 22 | 2 | SINGLE SEAL COVER DC, 120 mm ² | 2399669-3 | 2399669-3 | 2399669-3 | 2399669-3 |
| 23 | 1 | MQS CAVITY PLUG FOR CENTERLINE 4 mm | 963143-1 | 963143-1 | 963143-1 | 963143-1 |
| - | - | 4POS MQS CONNECTOR HSG, SEALS AND CONTACTS (ADDITIONAL PART FOR CHARGE INLET CABLING) | p/n acc. Prod. Spec. 108-94519 | p/n acc. Prod. Spec. 108-94519 | p/n acc. Prod. Spec. 108-94519 | p/n acc. Prod. Spec. 108-94519 |
| 24 | 1 | Optional: FLAP CARRIER, INLET COMBO, ASSY | 2358664-5 | | | |
| 25 | 1 | Optional: FLAP CARRIER, INLET COMBO, ASSY | 2358664-1 | | | |

Table 2

7.2.2 Parts to order for 24V Actuator Variants

| CHARGE INLET ASSY WITH LED CCS1 | | | Charge Inlet w/o AC & with LED | Charge Inlet with AC & With LED | Charge Inlet with AC & w/o LED | Charge Inlet with w/o AC & w/o LED |
|---------------------------------|------|--|---|---|---|---|
| Variant | | | Ground 25 mm ² DC 120 mm ² | AC-6 mm ² Ground 25 mm ² DC 120 mm ² | AC 6 mm ² Ground 25 mm ² DC 120 mm ² | Ground 25 mm ² DC 120 mm ² |
| Part | | | | | | |
| Pos | Qty. | Name | P/N | P/N | P/N | P/N |
| 1 | 1 | INLET HSG ASSY, COMBO1 | 2402048-2 | 2402048-2 | 2402048-4 | 2402048-4 |
| - | 1 | 12P MICRO MNL HSG (ADDITIONAL PART FOR CHARGE INLET CABLING) | 1-794617-2 | 1-794617-2 | 1-794617-2 | 1-794617-2 |
| | 7 | CONTACT MICRO MNL (0.5 mm ²) (ADDITIONAL PART FOR CHARGE INLET CABLING) | - | - | 0-794606-1 | 0-794606-1 |
| | 11 | CONTACT MICRO MNL (0.5 mm ²) (ADDITIONAL PART FOR CHARGE INLET CABLING) | 0-794606-1 | 0-794606-1 | - | - |
| 2 | 1 | PERIPHERAL SEAL, CHARGE INLET, COMBO | 2338079-1 | 2338079-1 | 2338079-1 | 2338079-1 |

| | | | | | | |
|----|---|---|--------------------------------------|--------------------------------------|--------------------------------------|--------------------------------------|
| 3 | 2 | PIN CONTACT SERIES 3.6, 6 mm ² 6µm Ag | - | 2-2293266-3 | 2-2293266-3 | - |
| 4 | 2 | COMBO 1, CHARGE INLET HSG, CAVITY PLUG | 2389290-1 | - | - | 2389290-1 |
| 5 | 1 | PIN CONTACT, DIA 2.8, PE (25 mm ²) | 2293267-5 | 2293267-5 | 2293267-5 | 2293267-5 |
| 6 | 1 | PROTECTION CAP, TE, WATER DRAIN | 2292534-1 | 2292534-1 | 2292534-1 | 2292534-1 |
| 7 | 2 | SEALING DC TERMINALS | 2338077-1 | 2338077-1 | 2338077-1 | 2338077-1 |
| 8 | 2 | PIN DIA 8.0, 180 DEG, CONTACT, ASSY TYP 1, (120 mm ²) | 2402050-1 | 2402050-1 | 2402050-1 | 2402050-1 |
| 9 | 1 | CABLE EXIT, WITHOUT AC | 2390858-1 | - | - | 2390858-1 |
| 10 | 1 | CABLE EXIT, WITH AC | - | 2390858-2 | 2390858-2 | - |
| 11 | 1 | SINGLE WIRE SEAL, AC | - | 2402051-1 | 2402051-1 | - |
| 12 | 1 | SINGLE WIRE SEAL, PE | 2418661-1 | 2418661-1 | 2418661-1 | 2418661-1 |
| 13 | 1 | STRAIN RELIEF, AC | - | 2401254-2 | 2401254-2 | - |
| 14 | 1 | STRAIN RELIEF, PE | 2390861-1 | 2390861-1 | 2390861-1 | 2390861-1 |
| 15 | 1 | GROMMET SEAL, 7X0.35/0.5 mm ² WIRE | - | - | 2418662-1 | 2418662-1 |
| 16 | 1 | GROMMET SEAL, 11X0.35/0.5 mm ² WIRE | 2401251-1 | 2401251-1 | - | - |
| 17 | 1 | LV WIRE COVER | 2369838-1 | 2369838-1 | 2369838-1 | 2369838-1 |
| 18 | 1 | CABLE COVER, AC | - | 2401256-1 | 2401256-1 | - |
| 19 | 1 | CABLE COVER, PE | 2369840-3 | 2369840-3 | 2369840-3 | 2369840-3 |
| 20 | 2 | SINGLE WIRE SEAL DC, 120 mm ² | 2399667-3 | 2399667-3 | 2399667-3 | 2399667-3 |
| 21 | 2 | STRAIN RELIEF DC, 120 mm ² | 2399668-3 | 2399668-3 | 2399668-3 | 2399668-3 |
| 22 | 2 | SINGLE SEAL COVER DC, 120 mm ² | 2399669-3 | 2399669-3 | 2399669-3 | 2399669-3 |
| 23 | 1 | MQS CAVITY PLUG FOR CENTERLINE 4 mm | 963143-1 | 963143-1 | 963143-1 | 963143-1 |
| - | - | 4POS MQS CONNECTOR HSG, SEALS AND CONTACTS (ADDITIONAL PART FOR CHARGE INLET CABLING) | p/n acc. Prod. Spec. 108-94519 | p/n acc. Prod. Spec. 108-94519 | p/n acc. Prod. Spec. 108-94519 | p/n acc. Prod. Spec. 108-94519 |

| | | | |
|----|---|---|-----------|
| 24 | 1 | Optional: FLAP CARRIER, INLET COMBO, ASSY | 2358664-5 |
| 25 | 1 | Optional: FLAP CARRIER, INLET COMBO, ASSY | 2358664-1 |

Table 3

7.3 Assembly Configurations Cable Exit

The inlet is designed for cable exit directions straight. The configuration shown in Figure 11 & Figure 12 is the definition according to view from the Charging Inlet front and the right side.

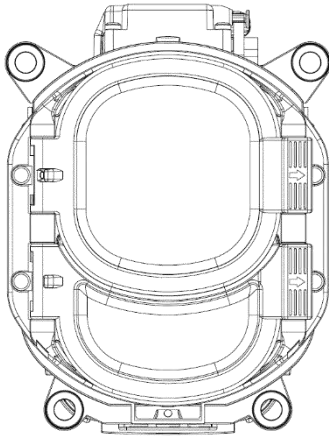


Figure 11

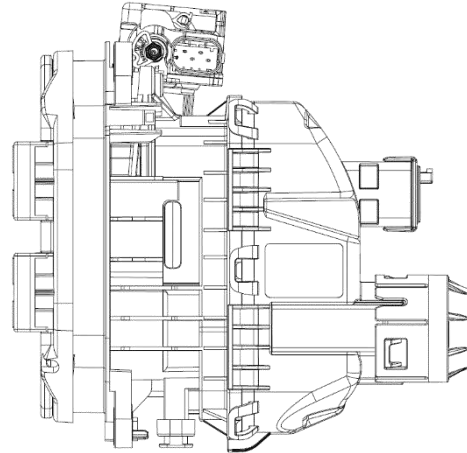


Figure 12

7.4 Kits to order

Sets optional including Flap Unit Assembly

Additional parts according to table 2 above must be considered for Charge Inlet cabling.

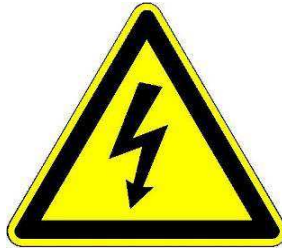
See Figure 10.

| | | | |
|--|---|--|---|
| COMBO1 CHARGE INLET ASSY WITHOUT AC & WITH LED 12V ACTUATOR | COMBO1 CHARGE INLET ASSY WITH AC & WITH LED 12V ACTUATOR | COMBO1 CHARGE INLET ASSY WITH AC & WITHOUT LED 12V ACTUATOR | COMBO1 CHARGE INLET ASSY WITHOUT AC & WITHOUT LED 12V ACTUATOR |
| COMBO1 CHARGE INLET ASSY WITHOUT AC & WITH LED 24V ACTUATOR | COMBO1 CHARGE INLET ASSY WITH AC & WITH LED 24V ACTUATOR | COMBO1 CHARGE INLET ASSY WITH AC & WITHOUT LED 24V ACTUATOR | COMBO1 CHARGE INLET ASSY WITHOUT AC & WITHOUT LED 24V ACTUATOR |

Table 4

7.5 Security Advice

ATTENTION!
- HIGH VOLTAGE APPLICATION -
CABLE INSULATION MUST NOT BE DAMAGED!



The assembly has only be performed by trained personnel.

Avoid prolonged or repeated skin contact with silver plated contacts (wear protective gloves)!

7.6 Assembly Steps

Step 1

The AC, PE & SIGNAL COVER, AC & PE STRAIN RELIEF and AC, PE & SIGNAL SEAL must be pushed over the signal wires, the ground wire and the AC-Multicore wire. Pay attention to place all wires at correct positions, Figure 13. Especially ensure the correct position of the SEAL AC and the SEAL PE towards the respective STRAIN RELIEF, Figure 13a

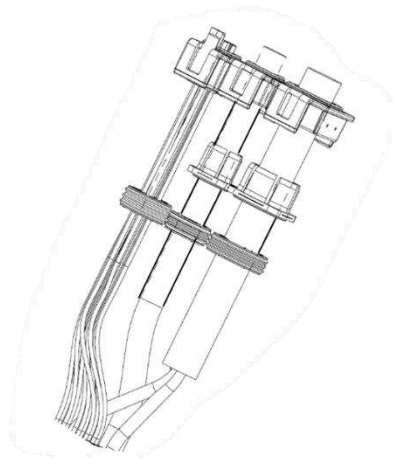


Figure 13

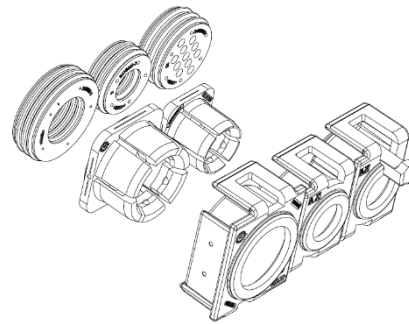


Figure 13a

Step 2

Dismantle the wires and crimp the contacts: **2x6 mm² AC-Multicore Cable**

Remove outer insulation shield and filler of AC-multicore-cable acc. Figure 14 and table 4. The given length of the single wires ensures that the outer sheath of the multicore cable seals to the SINGLE WIRE SEAL AC 2402051-1. Alternatively, a marking on the outer sheath in a certain distance to the cut off position can be used to ensure the proper position of the outer sheath in the SINGLE WIRE SEAL AC.

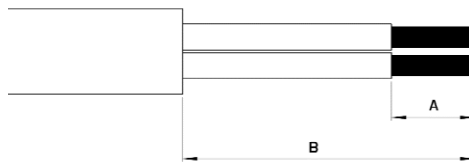


Figure 14 (schematic view)

| Wire Size | Removal of insulation dim. "A" | Length of single wires "B" |
|-------------------|--------------------------------|----------------------------|
| 6 mm ² | 13 +/- 1 mm | 68 +/-2 mm |

Table 5

Crimp the conductors to the PIN DIA 3.6, RIGID CONTACTS 2-2293266-3 with the specified tools listed in table 1. The crimp has to fulfil the requirements acc. Chapter 5.

Step 3

Dismantle the wires and crimp the contact: **25 mm² PE (ground) single wire** Remove outer insulation acc. Figure 15 and table 5.

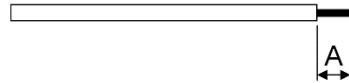


Figure 15

| Wire Size | Removal of insulation dim. "A" | Needed wire length inside inlet |
|--------------------|--------------------------------|---------------------------------|
| 25 mm ² | 18 +/- 1 mm | 78 +/- 5 mm |

Table 6

Crimp the conductors to the PIN DIA 2.8, RIGID CONTACT 2293267-5 with the specified tools listed in table 1. The crimp has to fulfil the requirements acc. Chapter 5.

Step 4

Dismantle the wires and crimp the contacts: **Signal-Wires 0,5 mm²**

Dismantle single wires acc. spec. 114-13000 and crimp the contacts 0-794606-1 acc. spec. 114-13000, see Figure 16.

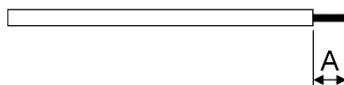


Figure 16

After Crimping the different cables, the subassembly of cables with cable exit components is in the condition shown in Figure 17:

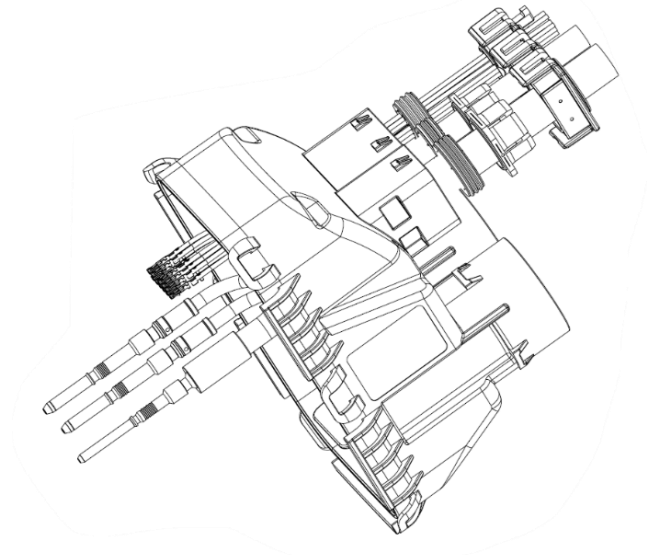


Figure 17 (schematic; crimp geometry not shown)

Step 5

Push signal terminals 794606-1 (Micro Mate 'N' Lock) into the Connector Housing 1-794617-2 acc. application spec 114-13000. Pinning according to Figure 18 and table 6a & 6b for with & W/O LED:

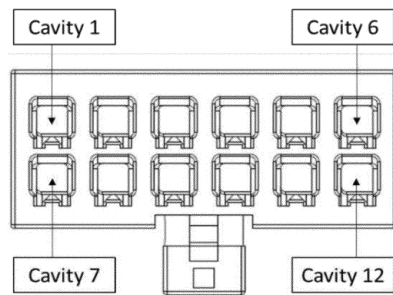


Figure 18

| Cavity No. | Function |
|------------|----------|
| 1 | LED gn |
| 2 | LED rd |
| 3 | - |
| 4 | GND LED |
| 5 | LED wt |
| 6 | T DC+ |
| 7 | Proxi |
| 8 | T GND |
| 9 | T DC- |
| 10 | T AC |
| 11 | PE S |
| 12 | CP |

Table 7a

| Cavity No. | Function |
|------------|------------|
| 6 | T DC+ |
| 7 | Proxi |
| 8 | GND , Temp |
| 9 | T DC- |
| 10 | T AC |
| 11 | PE S |
| 12 | CP |

Table 7b

After Micro Mate 'N' Lock connector housing assembly the subassembly of cables with cable exit components is complete, see Figure 19

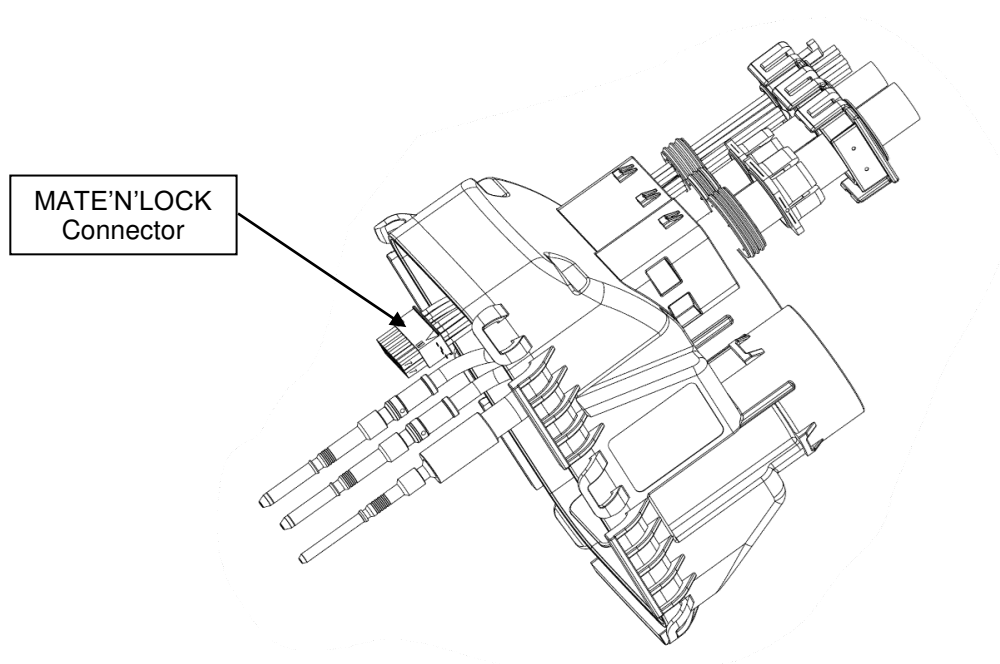
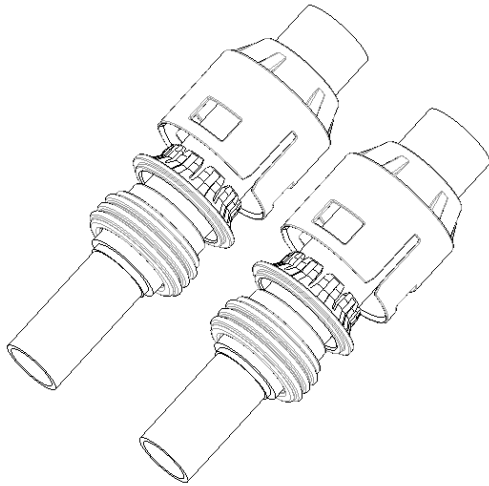
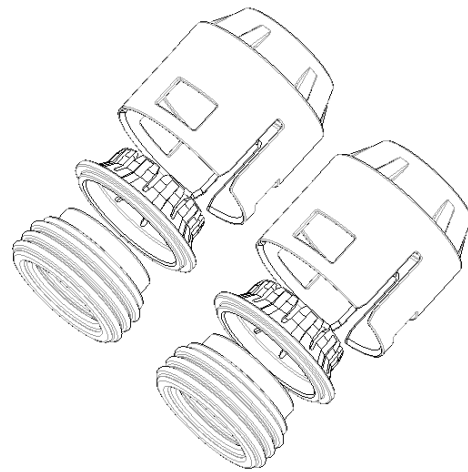


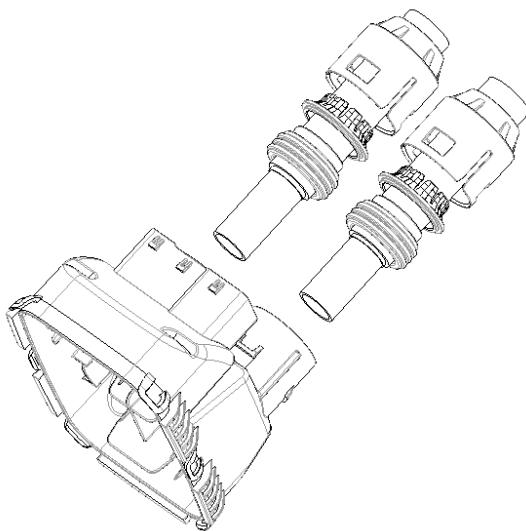
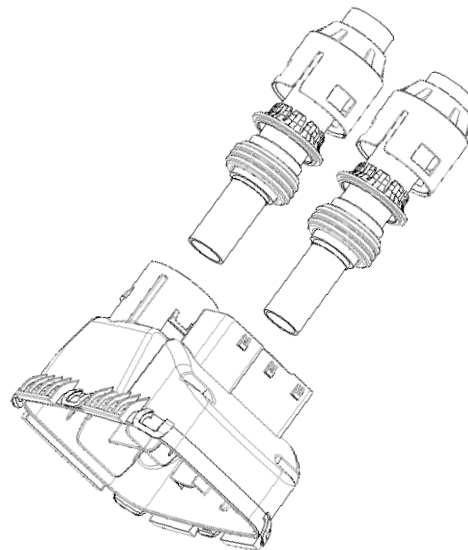
Figure 19 (schematic; crimp geometry not shown)

Step 6

The RADIAL SEAL DC, 120 mm² 2399667-3 and STRAIN RELIEF DC 120 mm² 2399668-3 and DC SINGLE SEAL COVER 120 mm² 2399669-3 must be pushed over the 120 mm² DC-Power wires, Figure 20. Especially ensure the correct position of the RADIAL SEAL DC, and STRAIN RELIEF DC towards the COVER CABLE SEAL, Figure 20a

*Figure 20**Figure 20a*

Pass the cables through the DC area in the Cable Exit with AC 2390858-2 (Figure 21) or Cable Exit without AC 2390858-1 (Figure 21a)

*Figure 21**Figure 21(a)*

Step 7

120 mm² DC Power Cables.

Strip the wires (Figure 23, Table 7), apply tape to completely cover the remaining cut shield braids and weld the contacts assemblies 2402050-1 according to the 114-94842 specification.

Make sure that the distance between the cut shield braids and the open conductor is MIN. 5 mm to ensure creepage and clearance requirements are maintained.

In addition to the 114-94842 specification make sure that the DC cable centerline to weld pad spacing is set. The DC cable centerline to weld pad spacing dimension shown below is required to ensure sealing (Fig. 22).

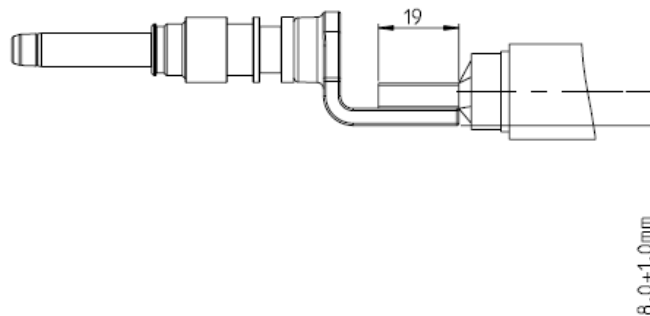


Figure 22

Strip the wires (Figure 23, Table 7), apply tape to completely cover the remaining cut shield braids and weld the contacts assemblies 2402050-1 according to the 114-94842 specification.

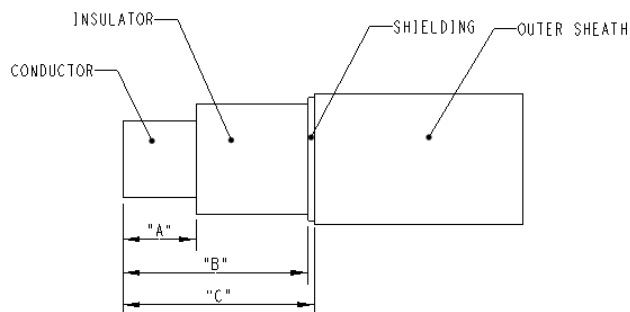


Figure 23

| Position | A (Removal of inner isolation) | B (Removal of shield) | C (Removal of outer isolation) | Needed wire length inside inlet |
|----------|-----------------------------------|--------------------------|-----------------------------------|---------------------------------|
| DC + | 20.5±0.1 | 29 ± 1 mm | 31 ± 1 mm | 66.5 ± 3 mm |
| DC - | 20.5±0.1 | 29 ± 1 mm | 31 ± 1 mm | 66.5 ± 3 mm |

Table 8

Apply the TESA 51618 tape of 19 mm width onto the cut shielding like shown in Figure 23a. The number of loops of tape will be decided by the harness maker, however, need to ensure that the shield is completely covered with tape and the tape not on the sealing area.

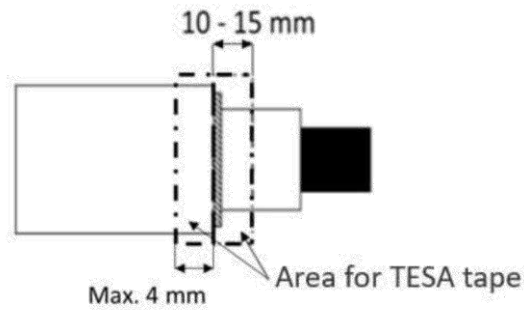


Figure 23a

Cable pin and spare part orientation is indicated in the below general picture on Figure 23b.

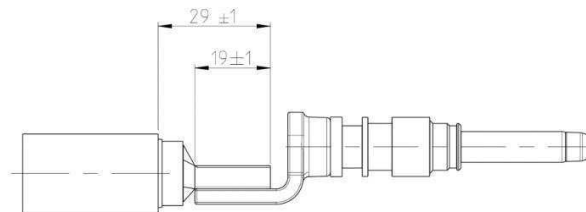


Figure 23b

For Charge Inlets with cable exit with AC and without AC weld need to be arranged as shown DC- on the top cable position, DC+ on the lower.

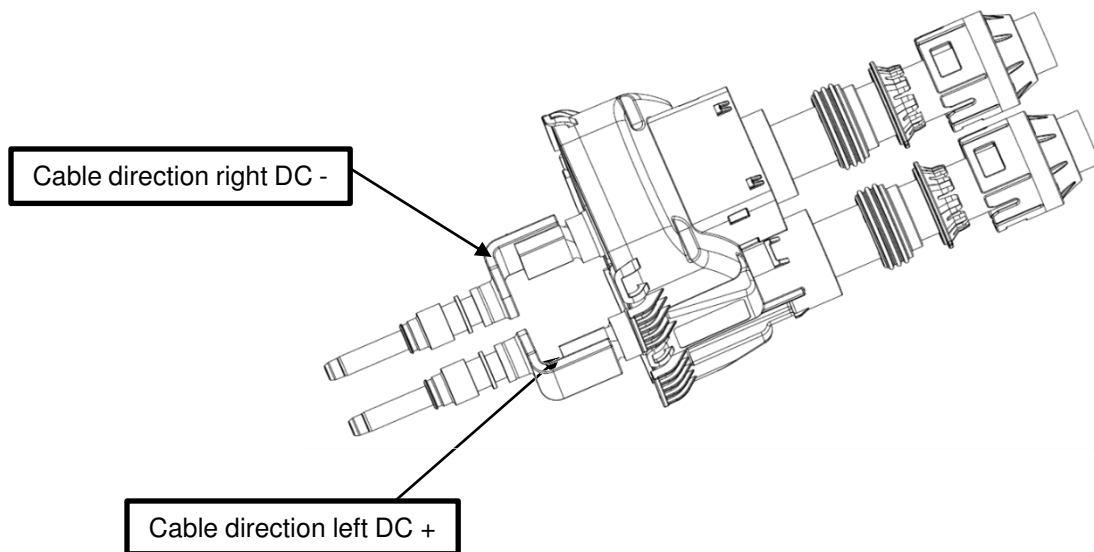


Figure 24

Step 8

Assemble the DC contact seals 2338077-1 on the DC contact assemblies. (Figure 25). Pay attention to not damage the seal during handling. Make sure the seal does not twist or flip around, correct assembly is shown in Figure 25a

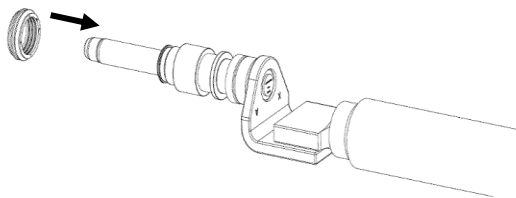


Figure 25

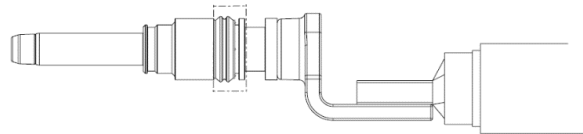


Figure 25a

Step 9

Pass the DC cable sub-assembly (Figure 19) through the DC slot in Cable Exit with AC 2390858-2(Figure26) or Cable Exit w/o AC 2390858-1 (Figure 26a).

ATTENTION: the inner surface of the two cylindrical DC exit and one rectangle feature are sealing surfaces thus must be intact and free from any scratch or damage could cause during the assembly process.

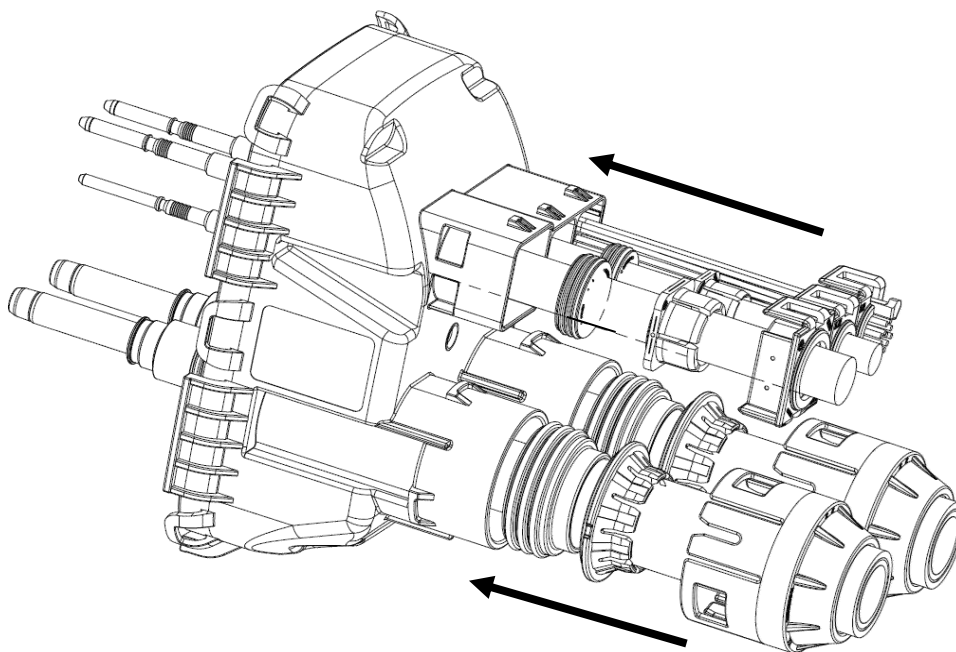


Figure 26 (exemplary)

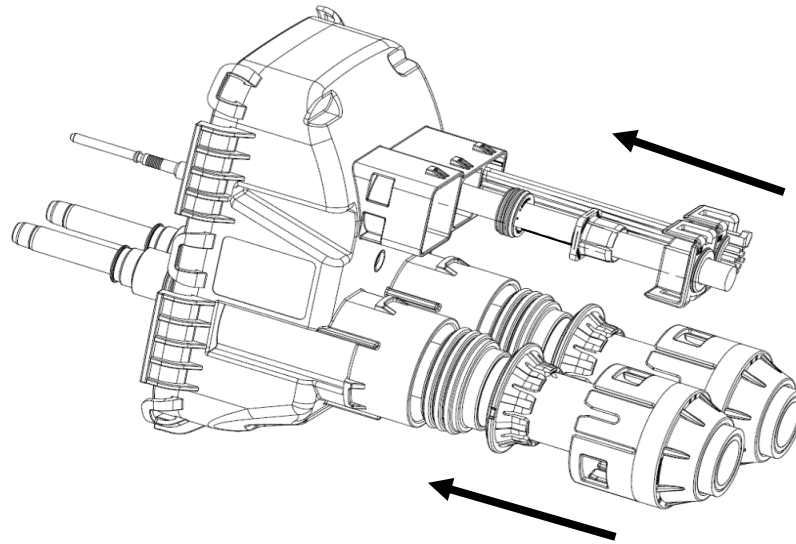


Figure 26a (exemplary)

Step 10

The PERIPHERAL SEAL, CHARGE INLET, 2338079-1 needs to be assembled before you move forward with the terminal assembly into the CHARGE INLET HSG, COMBO 1, ASSY 2402048.

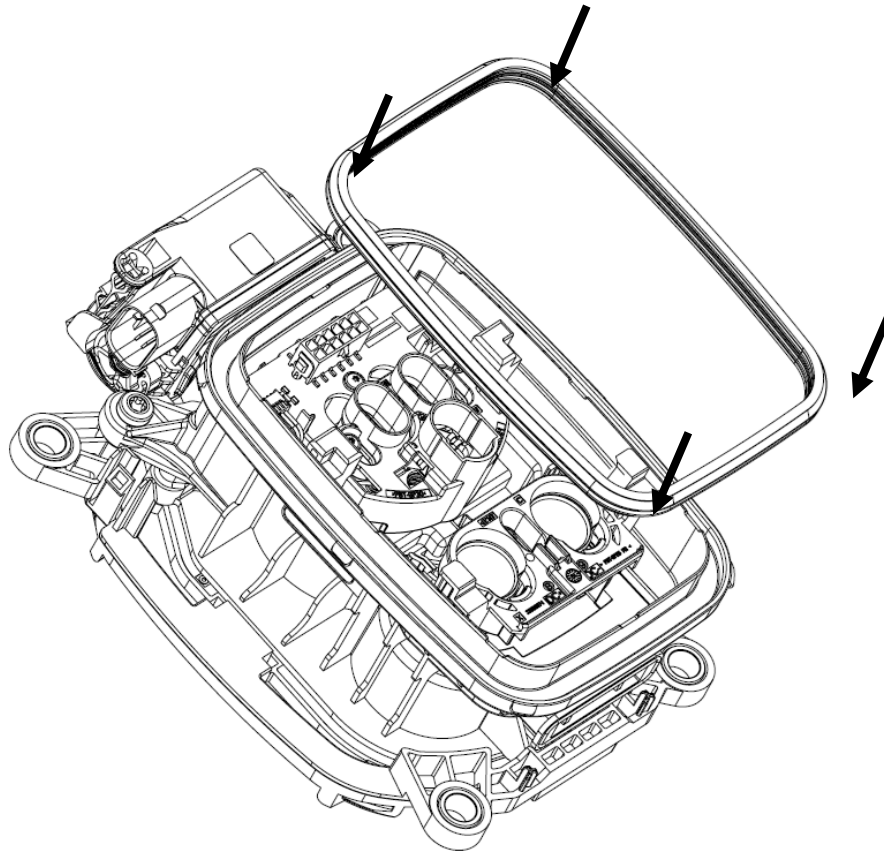


Figure 27

Step 11

Insert the Contacts from the backside into the Inlet housing according to the cavity description (see Figure 28) into their locking position, see Figure 29. To ensure that the contacts are correctly inserted, pull with a low force on the cables (max. 10N). Figure 29a shows contacts assembled in end position.

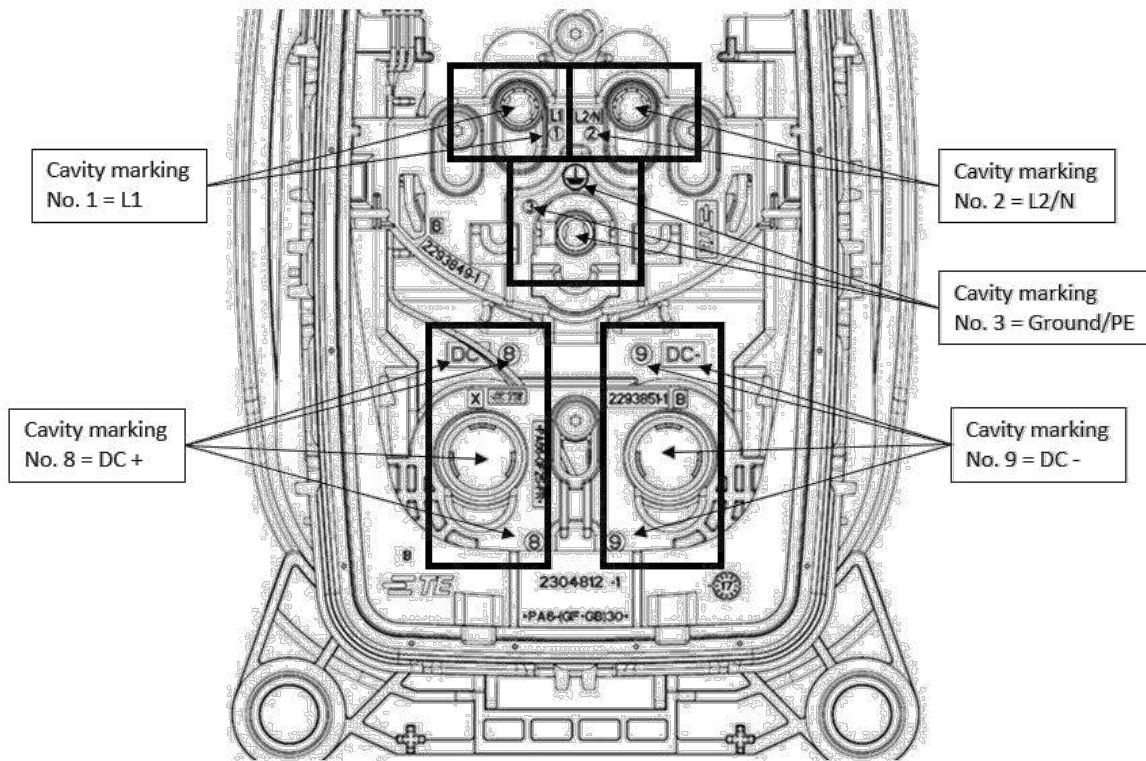


Figure 28

ATTENTION: The correct contact positions must be ensured BEFORE pushing the contacts into their cavities in locking position.

In case of wrong positioning of the contacts the complete assembly must be scrapped. There is no rework allowed (risk of damaging contacts and/or locking geometry in housing)!

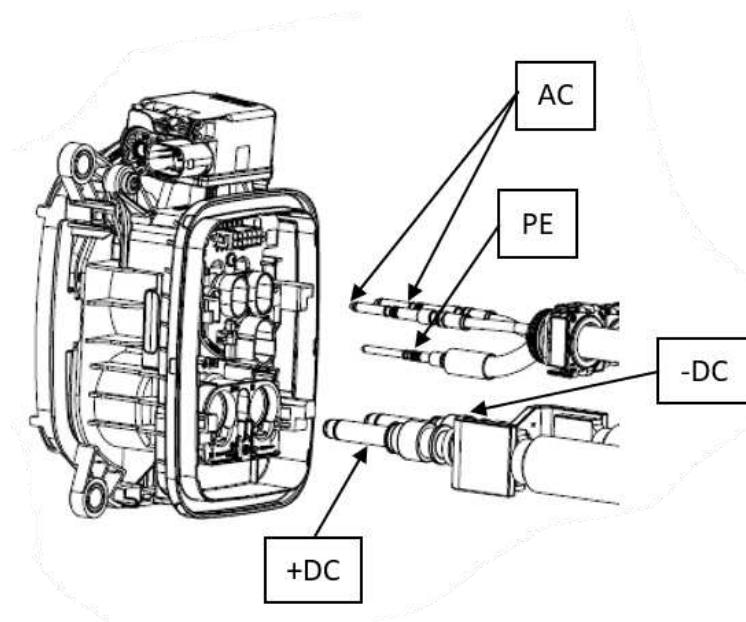


Figure 29

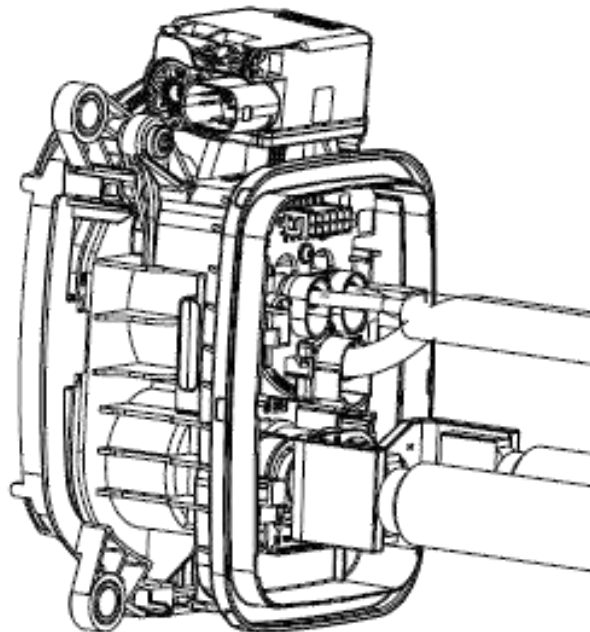


Figure 29a

Proposed sequence for contact insertion:

- 1.) 2x 6 mm² AC Power Cable with contacts into L1 and L2/N cavities
- 2.) 25 mm² Ground Cable with contact into PE/ground cavity
- 3.) 2x 120 mm² DC Power Cable with contacts into DC+ and DC- cavities

Step 12

After the contacts have been controlled for correct positioning and locking, both SECONDARY LOCKS must be pushed upwards (Figure 30). Ensure that both latches are properly engaged with the inlet housing, which must be controlled by the double audible click and by visible inspection. Secondary Locks CCS1 in end position shown in Figure 31 and 31a:

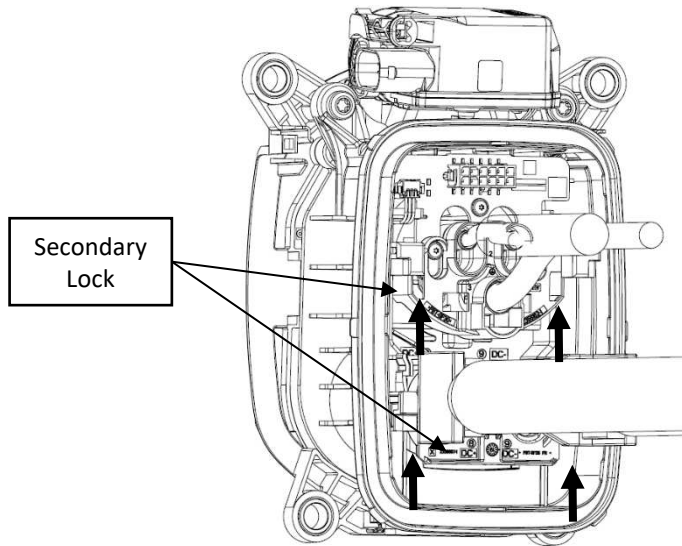


Figure 30

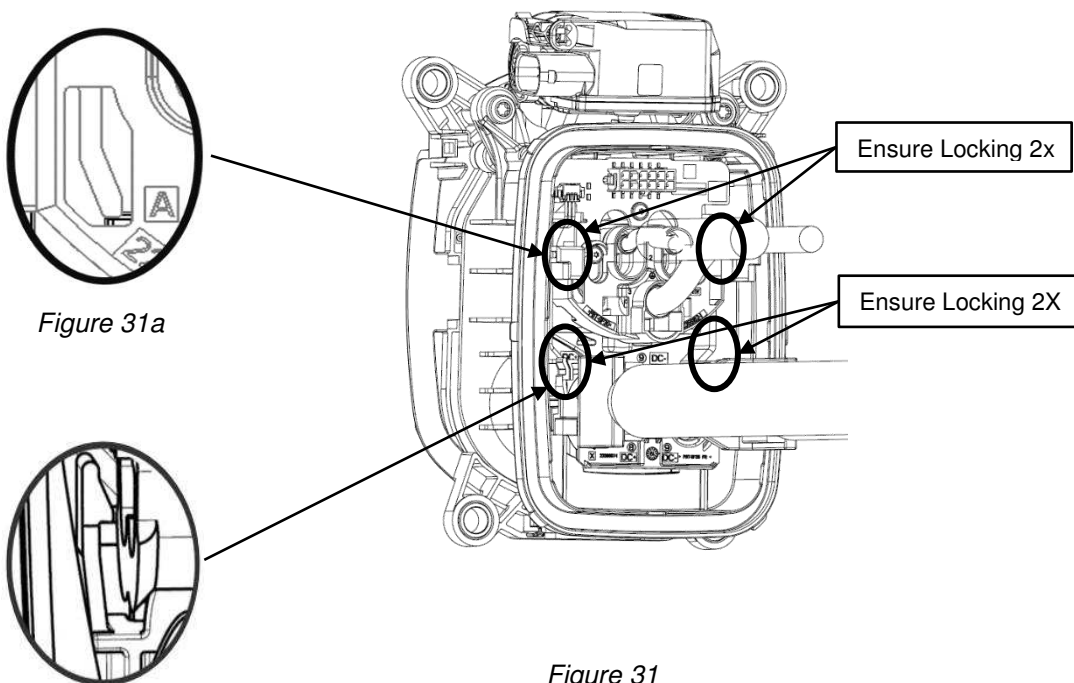


Figure 31a

Figure 31b

Figure 31

Step 13

Connect Micro Mate'N'Lock Connector to PCB-Header. Ensure the hook is properly engaged with the header, see Figure 32.

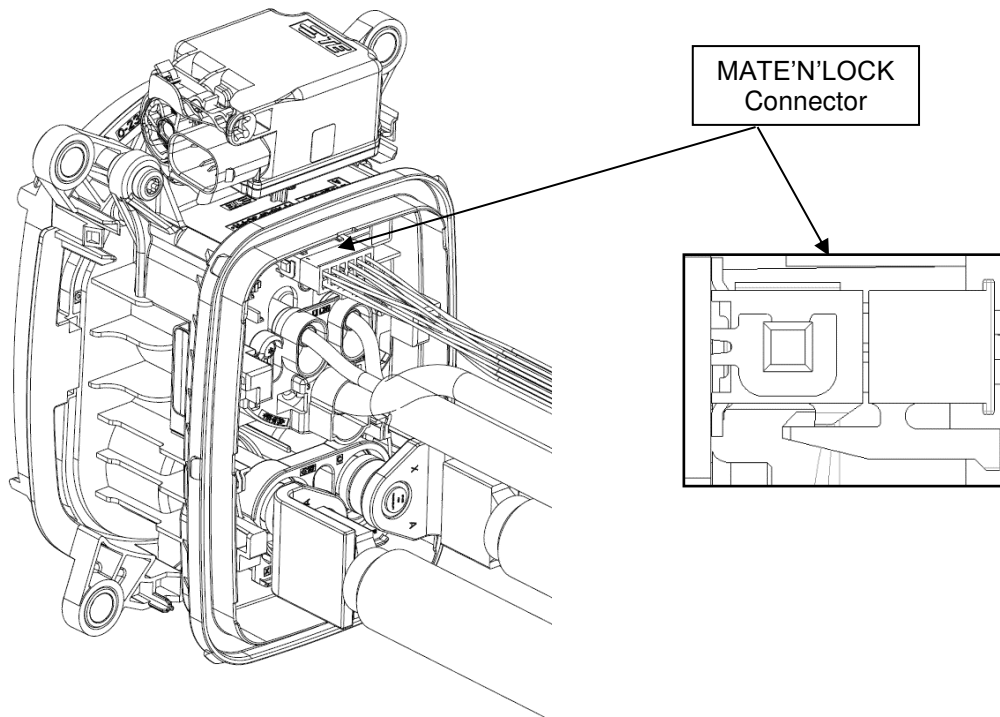


Figure 32

Step 14

Mount the CABLE EXIT COVER 2390858-1 w/o AC or 2390858-2 with AC to the CHARGE INLET HSG, COMBO1, ASSY, 2402048. Ensure that all 6 hooks are correctly engaged. The press forces must be applied on the marked locations close to the latches, see Figure 33.

ATTENTION: The CABLE EXIT COVER 2390858 needs to be aligned properly over the inlet and pushed vertically into position to make sure the seal slips correctly seated all around (Figure 33).

For the proper alignment, pay attention to the anti-rotation features implemented in the CABLE EXIT COVER, 2390858-1 w/o AC or 2390858-2 with AC. So that the PIN, DIA8.0, WELDING 180 DEG, 2402050-1 orientations are dictated by those features. See orientation on Figure 33 and the anti-rotation features on Figure 33a and 33b illustrated.

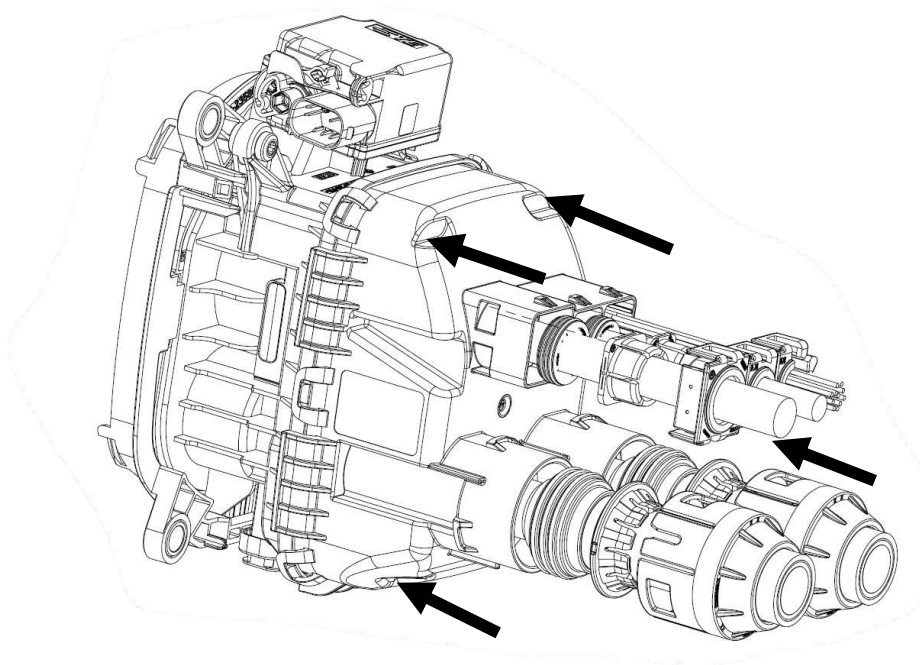


Figure 33

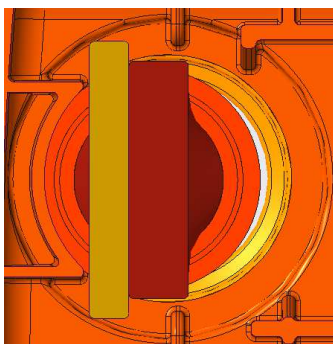


Figure 33a

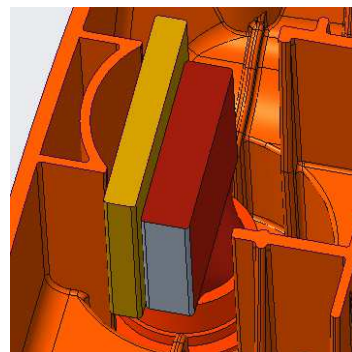


Figure 33b

ATTENTION: The Cable Exit Cover 2390858-1 and 2390858-2 needs to be aligned properly over the inlet and pushed vertically into position to make sure the seal slips correctly into the seating all around (Figure 34)

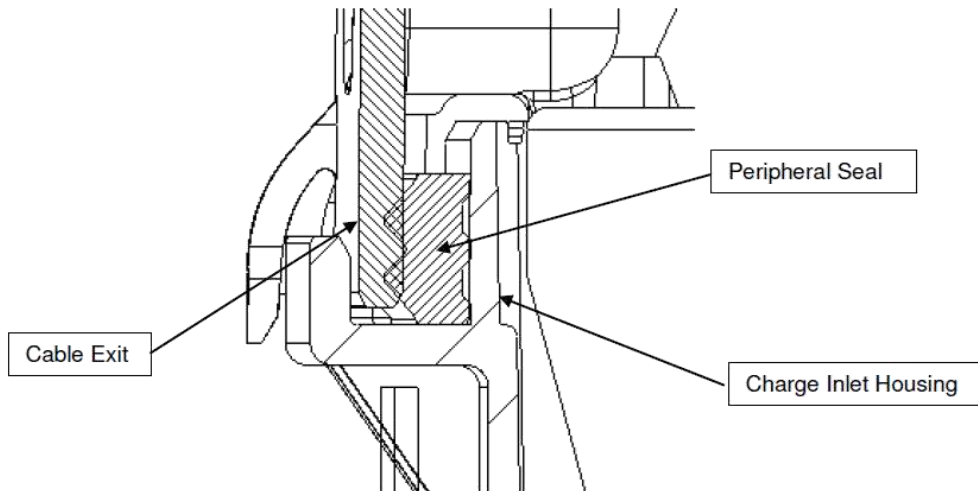



Figure 34

Step 15

Move the STRAIN RELIEF together with SEAL into their position in the CABLE EXIT WITH OUT AC 2390858-1 OR WITH AC 2390858-2, see Figure 35

 **ATTENTION:** Ensure that the AC cable is well positioned in the SEAL, that all seal lips are safely placed on the outer isolation of the cables. (Figure 36a)

Push the AC, PE and SIGNAL COVER over it and snap it on the CABLE EXIT COVER WITHOUT AC 2390858-1 OR 2390858-2 WITH AC. Ensure that both hooks are correctly engaged (double audible click), see Figure 36a.

Push the DC STRAIN RELIEF, DC SINGLE WIRE SEAL, into position in the CABLE EXIT COVER WITHOUT AC 2390858-1 OR WITH AC 2390858-2 and snap the DC COVER on it. Ensure that all hooks are correctly engaged (audible click sound), see Figure 36b

ATTENTION: Ensure that the DC power cables are well positioned in the CHARGE INLET HSG, DC SINGLE WIRE SEAL, that all seal lips are safely placed on the outer isolation of the cables.

Place a CABLE TIE, (Black, 2.5 mm wide, 1 mm thick, 100 mm long, min. tensile strength: 80N) around the single wire signal cables and the bridge at the SIGNAL COVER and pull tight, see Figure 36a.

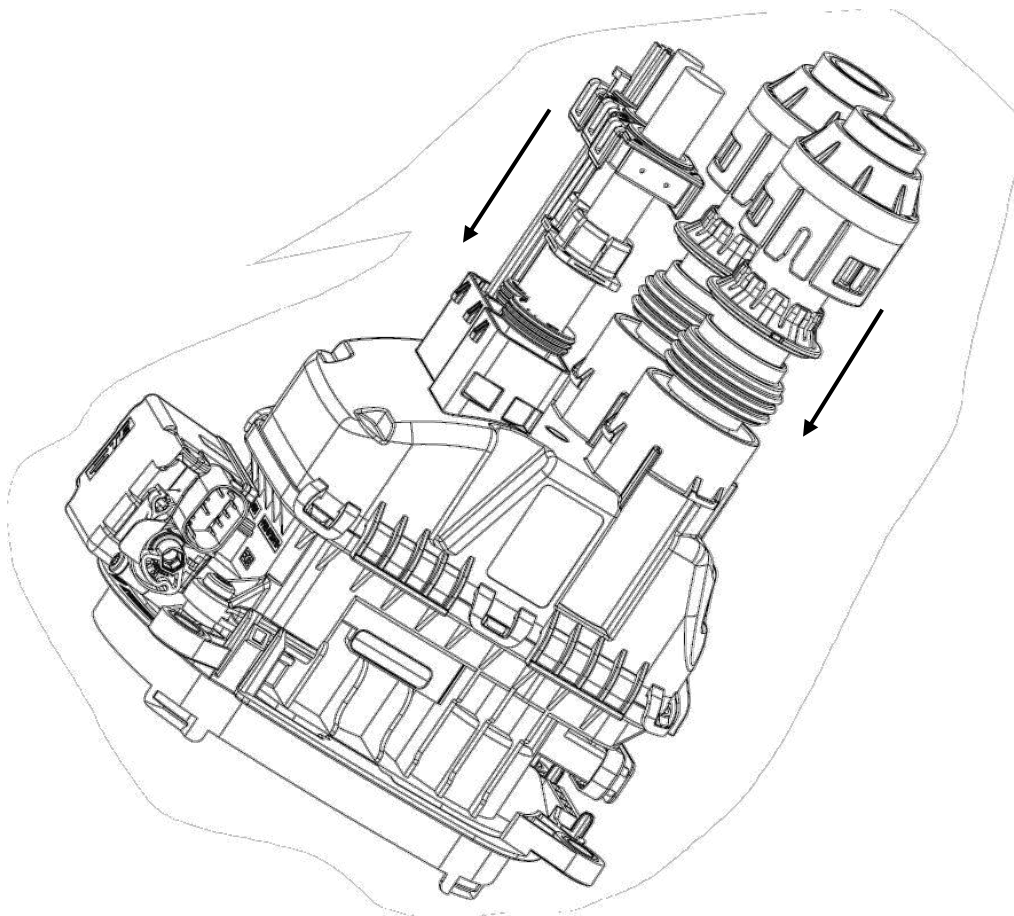


Figure 35

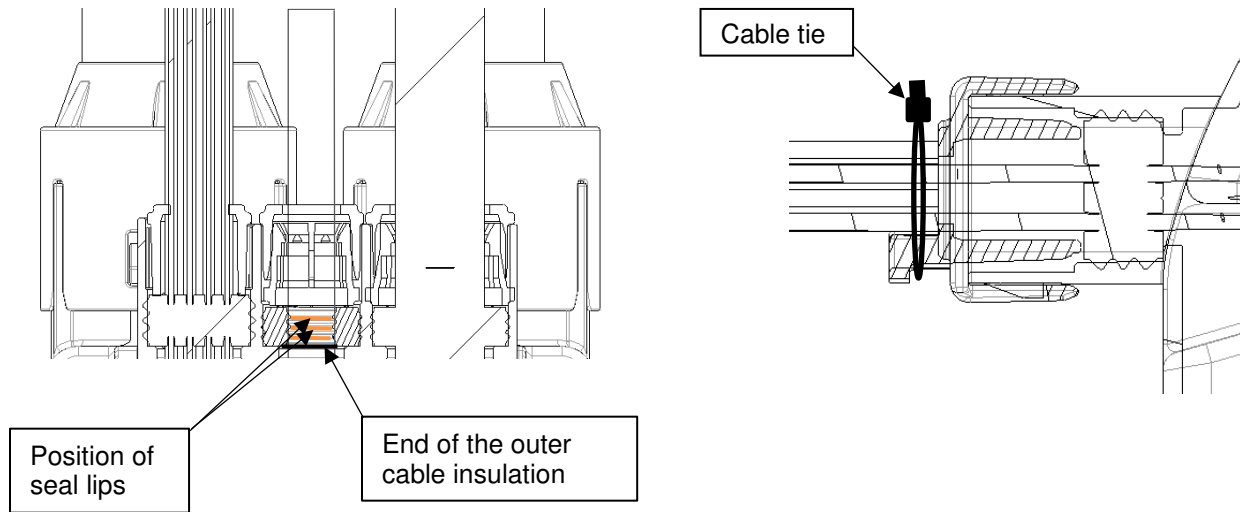


Figure 36a – PE seal lips

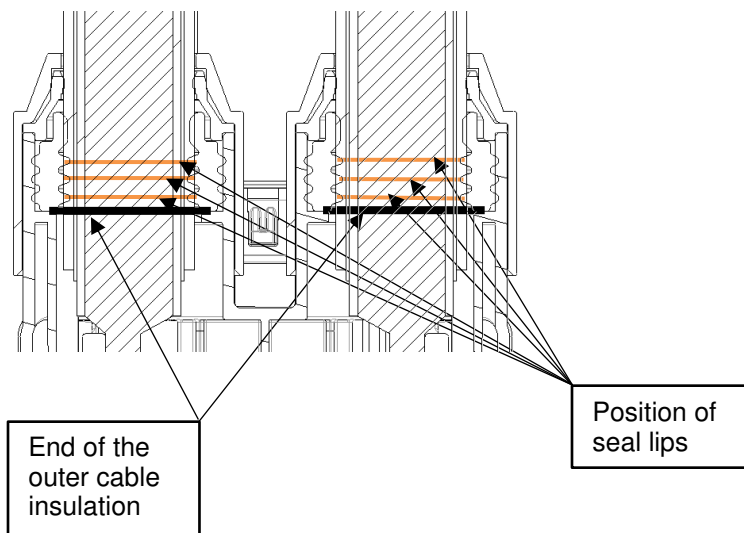


Figure 36b – DC seal lips

Step 16

Assemble Protection Cap 2292534-1 at Inlet Housing, see Figure 37.

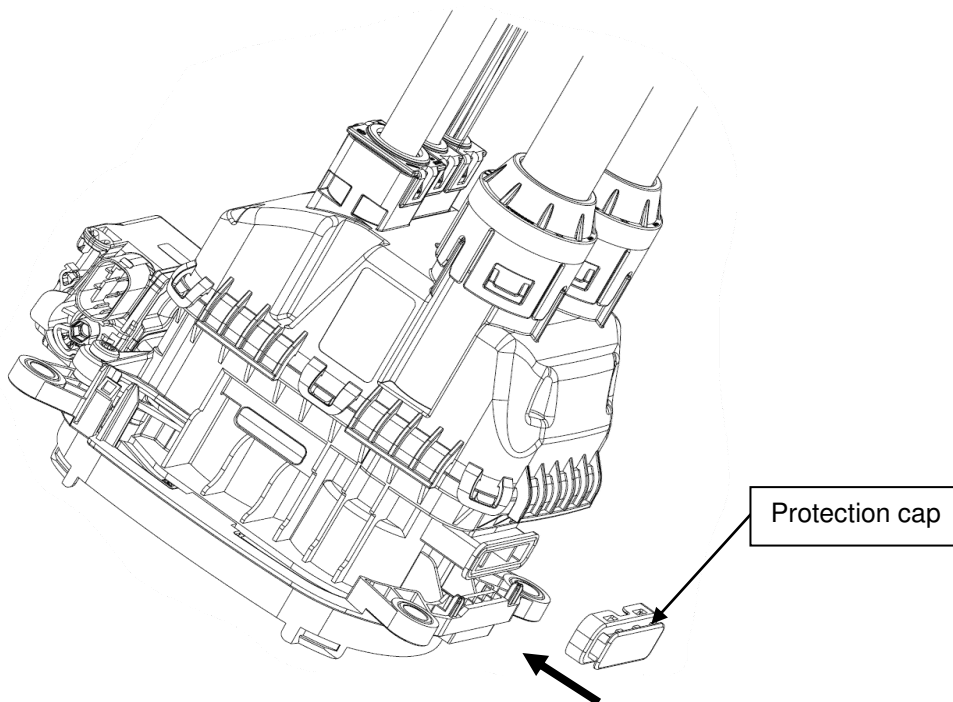


Figure 37

Step 17

As part of the End of Line Test as listed in (Chapter 7.7), perform the tightness check of the fully assembled charge inlet. The pressure port on the rear of CABLE EXIT COVER 2390858-1 or 2390858-2 (shown in Figure 38) is designed to fit an elastic plastic tube (Polyurethane or similar) with an outer diameter of 4 mm.

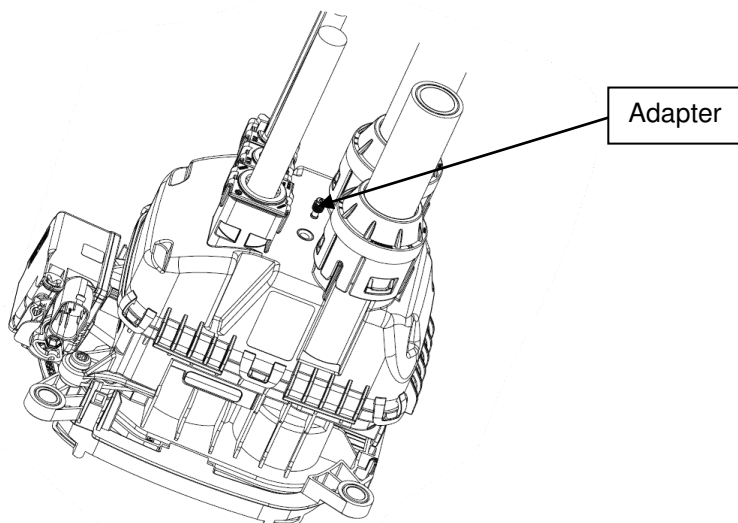


Figure 38

The tubular geometry of the pressure port has a reduced inner diameter towards the bottom to increase the pressure on the elastic tube when being inserted. The tube needs to be pushed that far into the pressure port that a reliable sufficient air tightness can be achieved, see Figure 39 for exemplarily inserted tube.

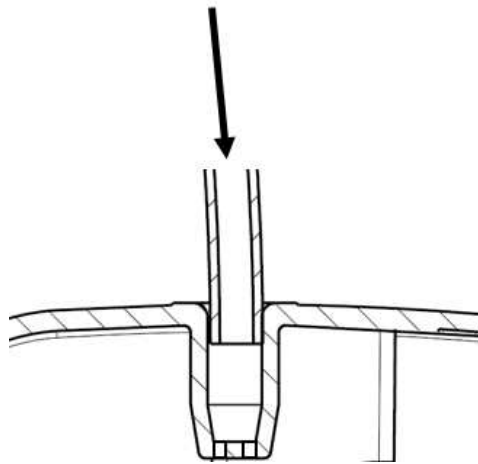


Figure 39

For the tightness check it is intended to perform an air differential pressure decay leak measurement test. Pressure profile is 0,1...0,15 bar, preferably under pressure. Acceptance criterion is pressure loss over time and has to be defined based on particularly prepared failure test samples.

After successfully passed tightness check the pressure port needs to be closed with the MQS CAVITY PLUG 963143-1.

The MQS CAVITY PLUG needs to be FULLY inserted into the pressure port, see Figure 40. The bottom of the pressure port is closed with a cross geometry to avoid that the MQS Cavity Plug could be pushed through.

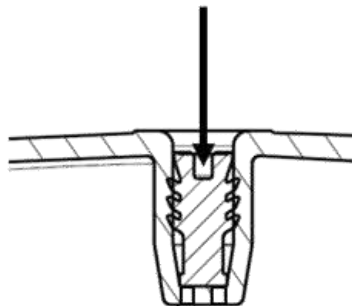


Figure 40

Step 18**Assembly of 4pos MQS connector**

Assemble the Connector for the Actuator connection acc. to application spec of MQS-Connector. (Applicator 2151038; Die Set 5-1579001-1).

Push connector on actuator housing. To ensure that the connector is correctly inserted, pull and push with a low force on the housing (max. 10N).

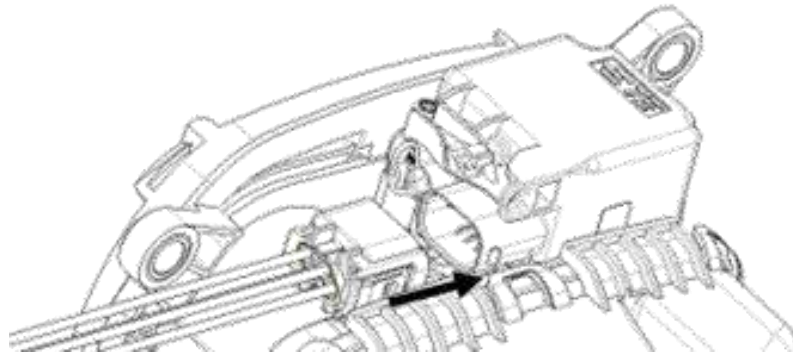


Figure 41

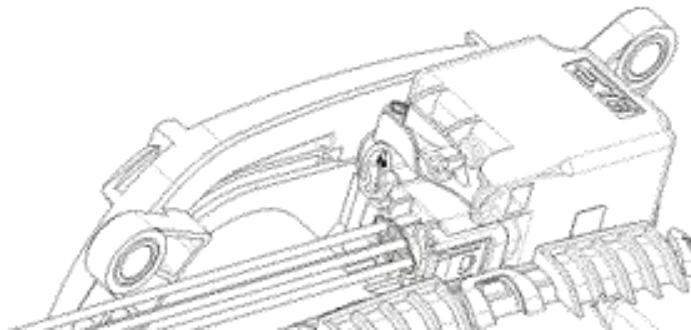


Figure 41a

7.7 End of Line Test



ATTENTION: The assembled Charge Inlet must be tested electrically and mechanically to applicable requirements, including High Voltage test.

As a minimum, following tests have to be performed:

- Isolation Resistance:
 Test Voltage: 500VDC
 Inspection Duration: 1s
 min. Riso: 200MΩ
 pin-to-pin, excluding CP-to-Proxi and CP/Proxi-to-Ground
 - a) L1 versus N
 - b) L1+N versus Ground
 - c) L1+N versus AC multicore shield

- Di electric withstand voltage:
 Test Voltage: 2000VAC
 Inspection Duration: 1s
 max. Leakage current: 10mA
 pin-to-pin, excluding CP-to-Proxi and CP/Proxi-to-Ground
 - a) L1 versus N
 - b) L1+N versus Ground
 - c) L1+N versus AC multicore shield

- Correct Pinning of all Contacts

- Check seals for correct seating by leakage check of completed Charge Inlet Harness Assy (Air pressure test)

- Check correct assembled MQS Cavity Plug in the pressure port after Tightness Check.

- Functionality checks of actuator. Drive (first) in lock and (second) in unlock position. During this operation, the actuator pull ring / pull cable becomes pulled back in end position.

For LED versions only below test is followed:

| Test Item | TEST VOLTAGE | | GROUND PIN | PROPERTY @T _{amb} = 25° ± 5° C | |
|-----------|--------------|-----|------------|--|------------|
| | VALUE | PIN | | LIGHT EMISSION | CURRENT |
| LED WHITE | 11V ± 0.2V | 5 | 4 | WHITE | 20mA + 4mA |
| LED GREEN | 11V ± 0.2V | 1 | 4 | GREEN | 20mA + 4mA |
| LED RED | 11V ± 0.2V | 2 | 4 | RED | 20mA + 4mA |

Table 9

8. TORQUE VALUE FOR M6 SCREWS

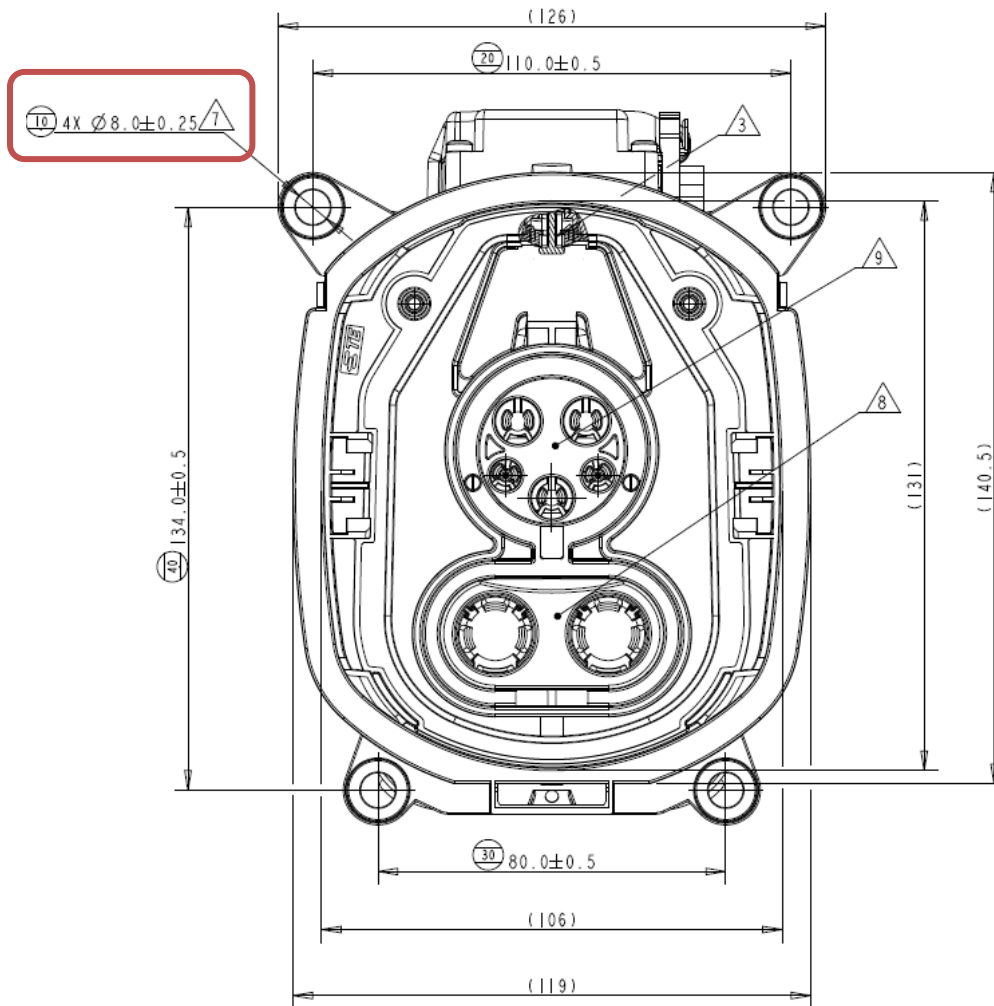


Figure 42

 APPLICABLE SCREWS FOR MOUNTING, HEAD DIAMETER MIN. 10.5mm, TORQUE 6Nm±0.9Nm FOR M6 SCREWS

In the above Figure 42 shows the necessary torque 6Nm±0.9 NM for M6 screws required to maintain in all 4 mounting hole positions.

9. MINIMUM LENGTH FOR CABLE FIXATION

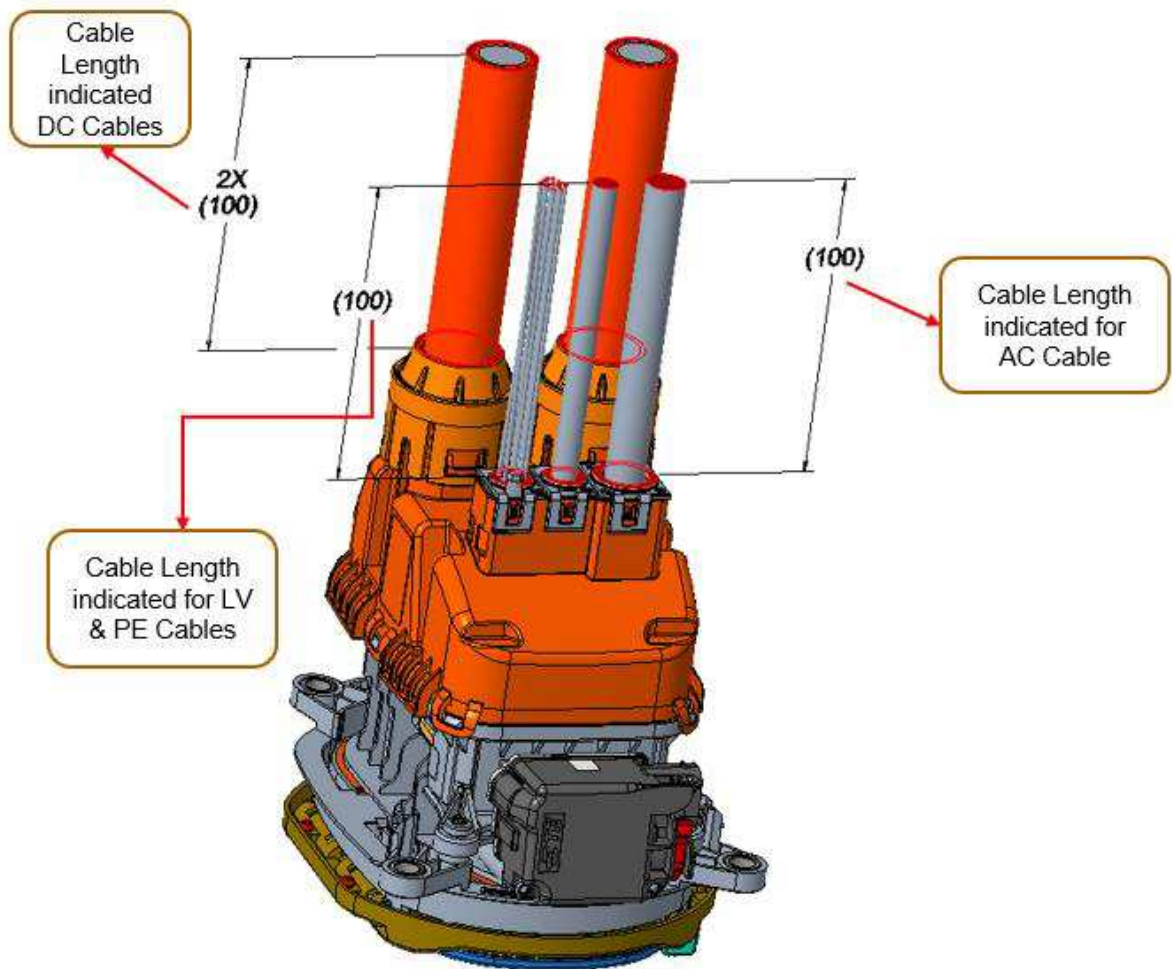


Figure 43

As per mentioned in the Figure 43 preferred free length of cables to be within a distance of 100mm exiting from cable covers.

| <u>LTR</u> | <u>REVISION RECORD</u> | <u>DWN</u> | <u>APVD</u> | <u>DATE</u> |
|------------|-----------------------------|-------------|-------------|-------------------|
| A | INITIAL DOCUMENT | SUPRIYA S | KASHYAP P B | 29 SEPTEMBER 2023 |
| A1 | 24V ACTUATOR VARIANTS ADDED | AJITH JAMES | KASHYAP P B | 13 FEBRUARY 2024 |

| | | | | |
|------------------------|--|---|-----------|-----------|
| DWN SUPRIYA S | | TE CONNECTIVITY GERMANY GMBH AMPÈRESTRABE 12-14 D-64625 BENSHEIM CHK GERMANY | | |
| CHK AMRUTHA RAO C H | | | | |
| APVD KASHYAP P B | | NO 114-94758 | REV A1 | LOC AI |
| TITLE | <p style="text-align: center;">Application Specification Vehicle Charge Inlet Type CCS1 120 mm²</p> | | | |