



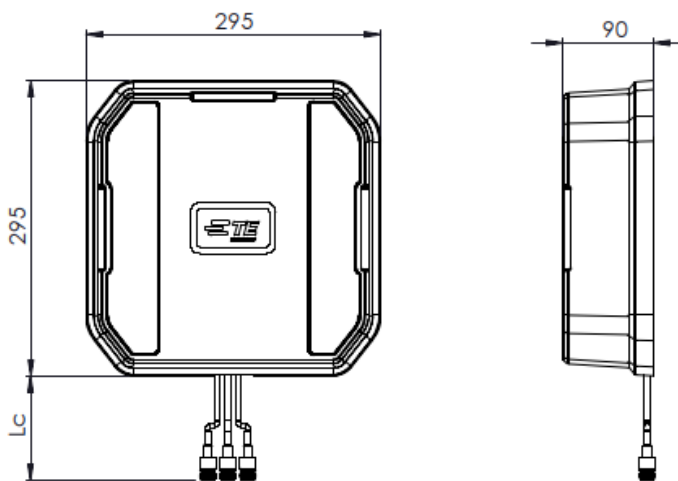
RP20 pro L000379-xx Antennas

Assembly and Installation Instructions

This antenna family includes a range of directional panel antennas, suitable for both external & internal mounting. These antennas are ideal for applications requiring 4x4 MIMO 4G/5G with optional GNSS. The antenna is supplied with hardware for pole/mast and direct wall mounting.

SPECIFICATIONS	
Operating Frequency (MHz)	617 – 698, 698-960, 1427 – 1522, 1690 – 2700, 3300 – 4200, 4200 - 6000
Nominal Impedance (Ohms)	50
Max Power - Ambient 25°C (W)	5
Number of Ports	2 to 3 port options
Dimensions – Length x Width x Height, mm (in.)	295 X 295 X 90 (11.6" X 11.6" X 3.5")
Antenna Color	White
Operating Temp (°C)	-40 to +85

MECHANICAL DRAWINGS



SAFETY

The antenna and all associated equipment should be installed in accordance with all applicable local and national electrical code guidelines to ensure safe operation.

LOCATION

For best results, mount the antenna near the center of the coverage area. A line-of-sight path between the antenna and active locations works best. Avoid mounting next to a column or vertical support that could create a shadow zone.

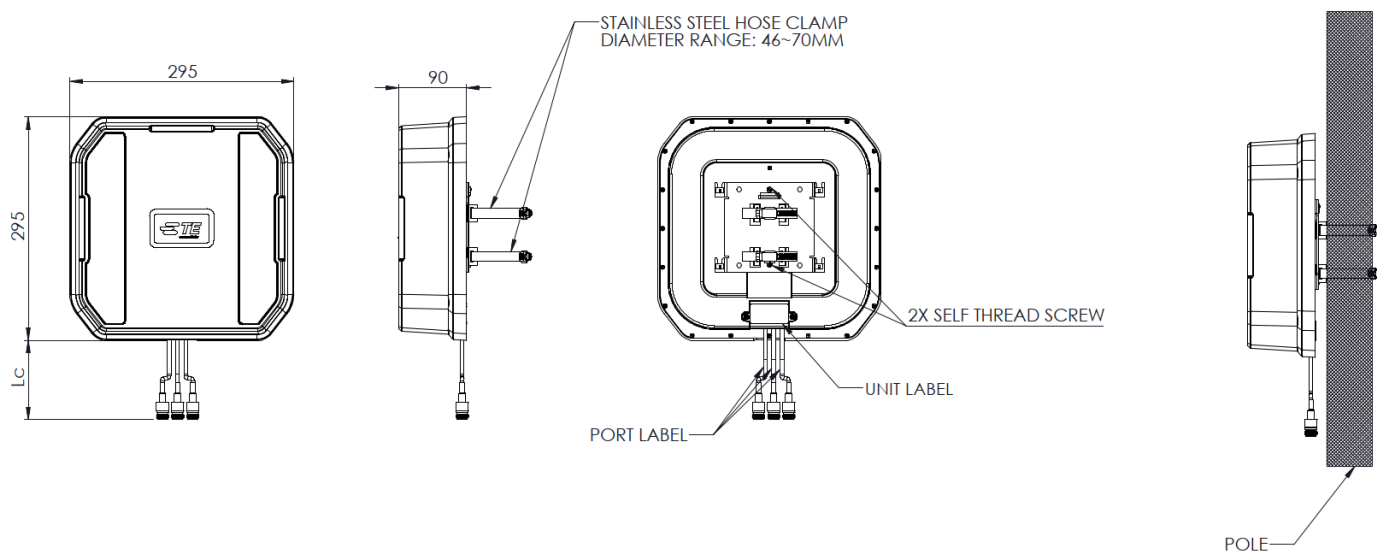
APPLICATION

RP20 pro (L000379-xx) antennas are high gain and wide band directional panel antenna with linear slant ($\pm 45^\circ$) polarization. Covers all applications in the 617-698/698-960/1427-1522/1690-2700/3300-4200/4200-6000 MHz. Fixed Wireless Access, Wireless Terminal Point-of-Sale, Machine to Machine. Automatic meter reading and home security.

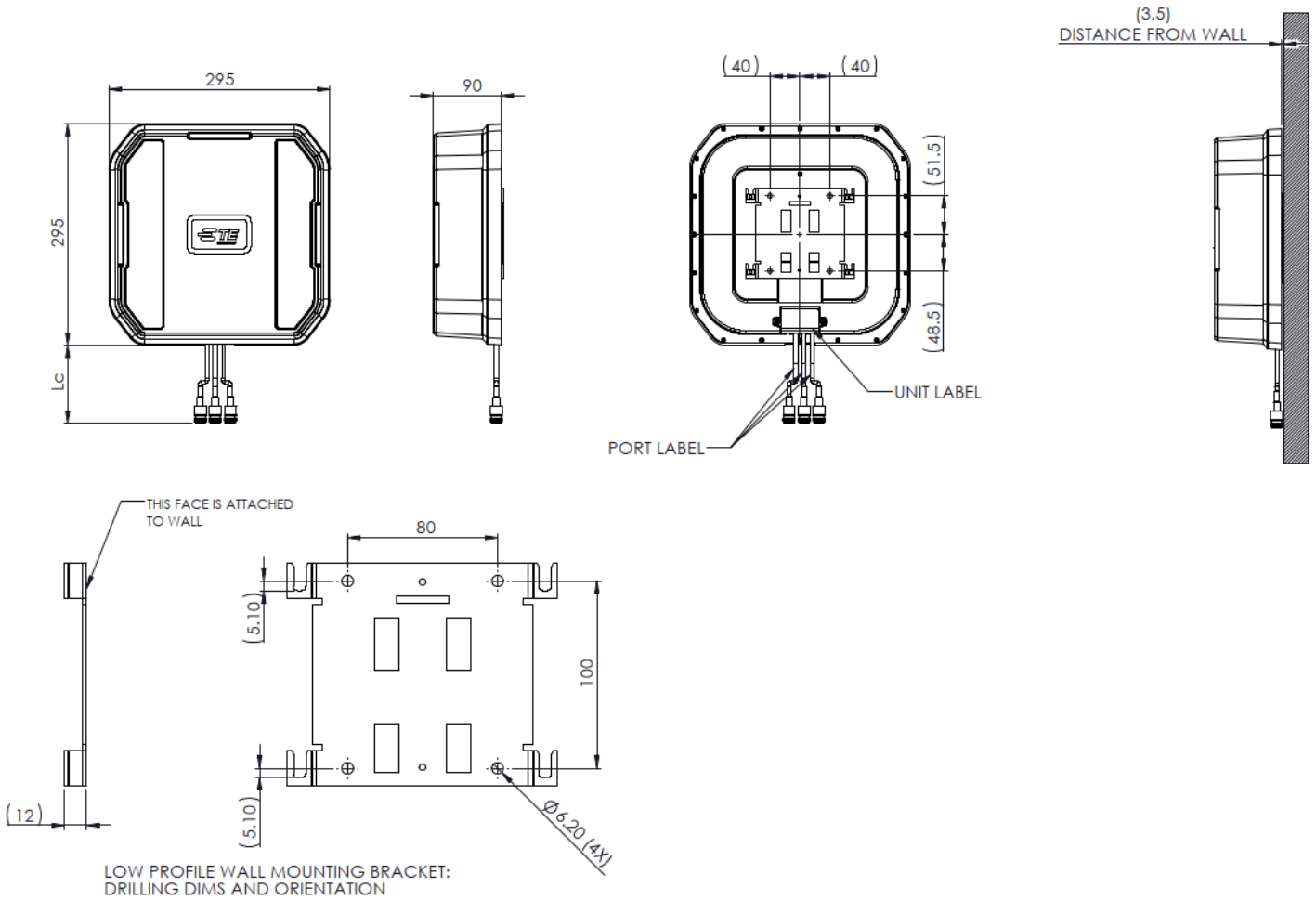
MOUNTING

Using the supplied mounting hardware it is possible to affix the antenna to a pole/mast or directly to a wall.

POLE MOUNT:



WALL MOUNT:
ANTENNA IS HOOKED UP TO WALL MOUNTING BRACKET



te.com

TE, TE Connectivity, TE Connectivity (logo) and Every Connection Counts are trademarks. All other logos, products and/or company names referred to herein might be trademarks of their respective owners.

The information given herein, including drawings, illustrations and schematics which are intended for illustration purposes only, is believed to be reliable.

However, TE Connectivity makes no warranties as to its accuracy or completeness and disclaims any liability in connection with its use. TE Connectivity's obligations shall only be as set forth in TE Connectivity's Standard Terms and Conditions of Sale for this product and in no case will TE Connectivity be liable for any incidental, indirect or consequential damages arising out of the sale, resale, use or misuse of the product. Users of TE Connectivity products should make their own evaluation to determine the suitability of each such product for the specific application.

©2024 TE Connectivity. All Rights Reserved.

01/24 Original

