

## ENERGY DIVISION

### Product Description

#### 600V Sealed Splice

GILS-#2 AWG for #12-#2 AWG cable (3.31-33mm<sup>2</sup>)  
 GILS-1/0 for #14-1/0 AWG (2.08 - 53mm<sup>2</sup>)  
 GILS-4/0 for #2-4/0 AWG Cable (33-107mm<sup>2</sup>)  
 GILS-350 for #1/0 AWG-350 kcmil cable (50-150mm<sup>2</sup>)

#### Empalme 600 V

GILS-#2 AWG para cables AWG #12-#2 (3.31-33mm<sup>2</sup>)  
 GILS-1/0 para cables AWG #14-1/0 (2.08 - 53mm<sup>2</sup>)  
 GILS-4/0 para cables AWG #2-4/0 (33-107mm<sup>2</sup>)  
 GILS-350 para cables AWG 1/0 – 350 kcmil (50-150mm<sup>2</sup>)

### Customer Service

For 24 hour customer service, call 800-327-6996.

### 24 Horas Atención Al Cliente

Llamar al 800-327-6996.

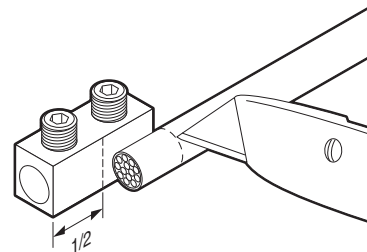
### Installation Instructions

#### 1. Remove insulation equivalent to 1/2 connector length.

For aluminum conductors it is recommended that you use an oxide inhibitor. Wire brush exposed conductors prior to insulation. Install conductor into connector body immediately after wire brushing.

#### Remueva el aislamiento que corresponde a 1/2 largo del conector.

Para conductores de aluminio, se recomienda usar un inhibidor de óxido. Limpie el conductor con un cepillo de alambres. Instale el conductor en el cuerpo de conector inmediatamente después de que se cepille.



#### 2. Insert conductors into connector. Tighten set screws to torque valve in Table 1.

- A. Torque screw
- B. Flex cable
- C. Torque again

Inserte los conductores en el conector. Ajuste los tornillos según el torque indicado en la tabla 1.

- A. Ajuste el tornillo
- B. Doble el cable
- C. Vuelva a ajustar los tornillos

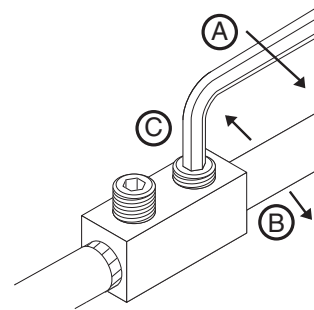


Table 1

Product Description	AWG	mm <sup>2</sup>	in. - lb.	N.m	Box Size (LxWxH)	Installation Tool
GILS - #2AWG	12-2	3.31 - 33.6	30	3.4	2-3/4 x 1-5/8 - 1-1/16"	Slot Head Screwdriver
GILS-1/0	14-1/0	2.08 - 53.5	100	11.3	4-1/4 x 2 x 1-3/16	3/16" Hex
GILS - 4/0	2-4/0	33.6 - 107.2	225	25.4	4-1/4 x 2 x 1-3/16	5/16 Hex
GILS - 350	1/0 - 350	53.5 - 177	225	25.4	7-1/8 x 2-3/4 x 1-4/7"	5/16 Hex

### Safety Instructions

**DANGER:** When installing electrical power system accessories, failure to follow applicable personal safety requirements and written installation instructions could result in fire or explosion and serious or fatal injuries.

*As Tyco Electronics has no control over field conditions which influence product installation, it is understood that the user must take this into account and apply his own experience and expertise when installing product.*

### Instrucciones de seguridad

**PELIGRO:** Cuando se instalen los accesorios del sistema de energía eléctrica, el no seguir los requerimientos de seguridad y las instrucciones escritas referente a la instalación, podría dar como resultado un incendio o una explosión y causar serios o fatales perjuicios.

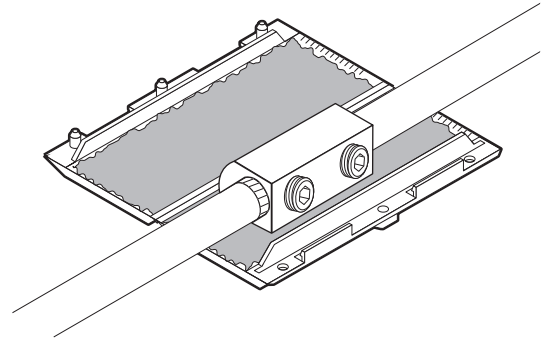
*Como Tyco Electronics no controla todas las condiciones que pueden influir en la instalación del producto en campo, queda entendido que el usuario debe tomar esto en cuenta y aplicar su propia experiencia y práctica cuando instale el producto.*

**Table 1**

Product Description	AWG	mm <sup>2</sup>	in. - lb.	n.m	Box Size (LxWxH)	Installation Tool
GILS - #2AWG	12-2	3.31 - 33.6	30	3.4	2-3/4 x 1-5/8 - 1-1/16"	Slot Head Screwdriver
GILS-1/0	14-1/0	2.08 - 53.5	100	11.3	4-1/4 x 2 x 1-3/16	3/16" Hex
GILS - 4/0	2-4/0	33.6 - 107.2	225	25.4	4-1/4 x 2 x 1-3/16	5/16 Hex
GILS - 350	1/0 - 350	53.5 - 177	225	25.4	7-1/8 x 2-3/4 x 1-4/7"	5/16 Hex

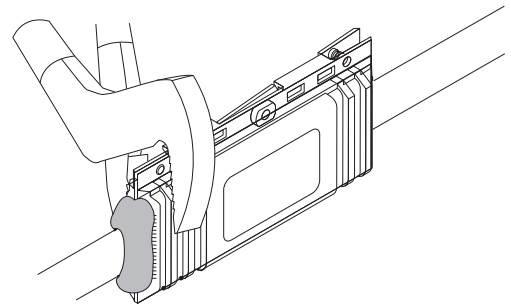
**3. Center connector over GILS gel cover.**

**Centre el conector sobre la cubierta del gel GILS**



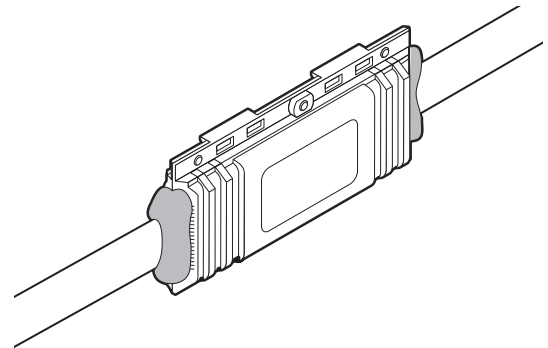
**4. Snap both locks shut (Use Channellock pliers to close if necessary).**

**Cierre los dos seguros encajándolos a presión (si es necesario, use un alicate para cerrarlos)**



**5. Splice is completed.**

**Empalme terminado.**



The Information contained in these installation instructions is for use only by installers trained to make electrical power installations and is intended to describe the correct method of installation for this product. However, Tyco Electronics Corporation has no control over the field conditions which influence product installation. It is the user's responsibility to determine the suitability of the installation method in the user's field conditions. Tyco Electronics' only obligations are those in Tyco Electronics' standard Conditions of Sale for this product and in no case will Tyco Electronics be liable for any other incidental, indirect or consequential damages arising from the use or misuse of the products.

GILS, PowerGel, TE (logo) and Tyco Electronics are trademarks of the Tyco Electronics group of companies and its licensors. Channellock is a trademark of Channellock, Inc. Copyright 2004, 2008-2009 Tyco Electronics Corporation. All Rights Reserved.