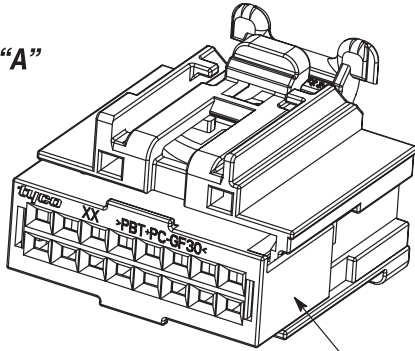
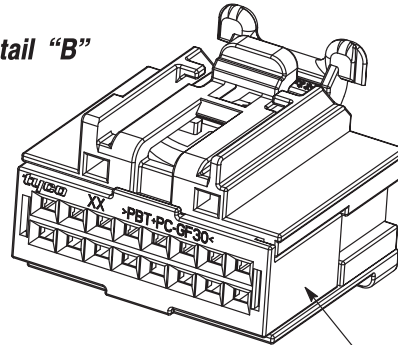


**Detail "A"**



TPA Secondary Lock  
in Pre-Set Position

**Detail "B"**



TPA Secondary Lock  
Engaged and Locked

*Figure 1*

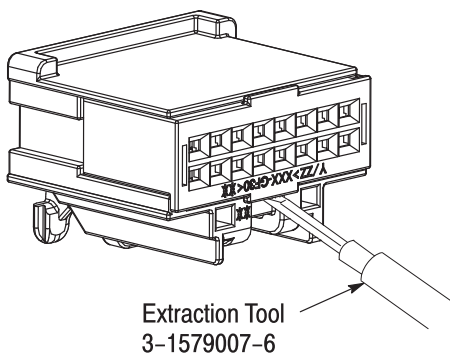
This connector is supplied to the customer with the Terminal Position Assurance (TPA) in the pre-assembled (pre-set) position. See Figure 1, Detail "A."

During shipping and handling, the TPA may be displaced to its locked (set) position as shown in Figure 1, Detail "B."

This can prevent proper contact insertion. The connector can be returned to the proper function by retracting the TPA to the position shown in Figure 1, Detail "A." Follow the procedure below.

**REPOSITIONING PROCEDURE**

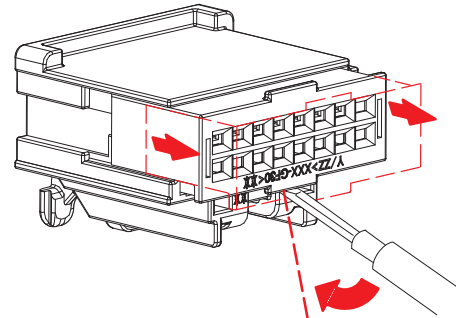
1. Place Extraction Tool 3-1579007-6 in the gap between the housing and behind the tab on the TPA. See Figure 2.



Extraction Tool  
3-1579007-6

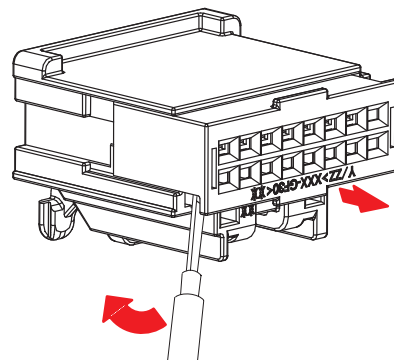
*Figure 2*

2. Rotate the extraction tool toward the connector housing to "pop" the TPA into the pre-latched (disengaged) position. See Figure 3.



*Figure 3*

3. Place the extraction tool tip in the gap between the housing and TPA pulling the corners forward, individually to disengage the side latches. See Figure 4.



*Figure 4*

**REVISION SUMMARY**

- Updated logo.