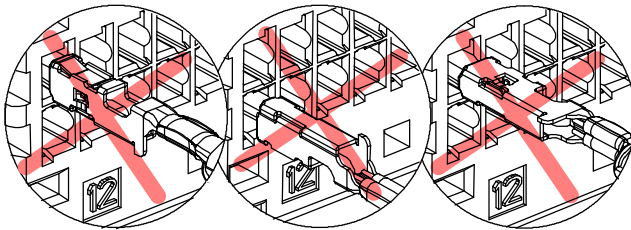
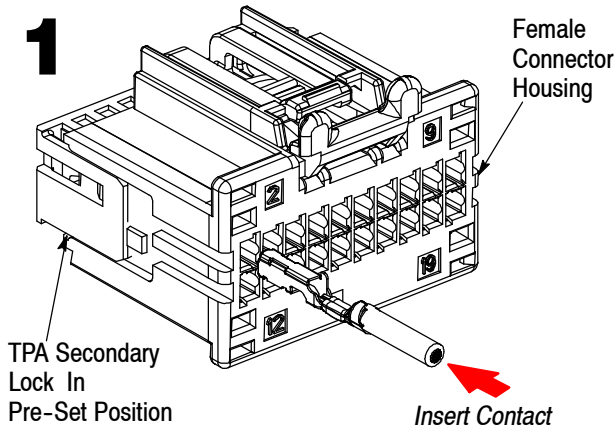


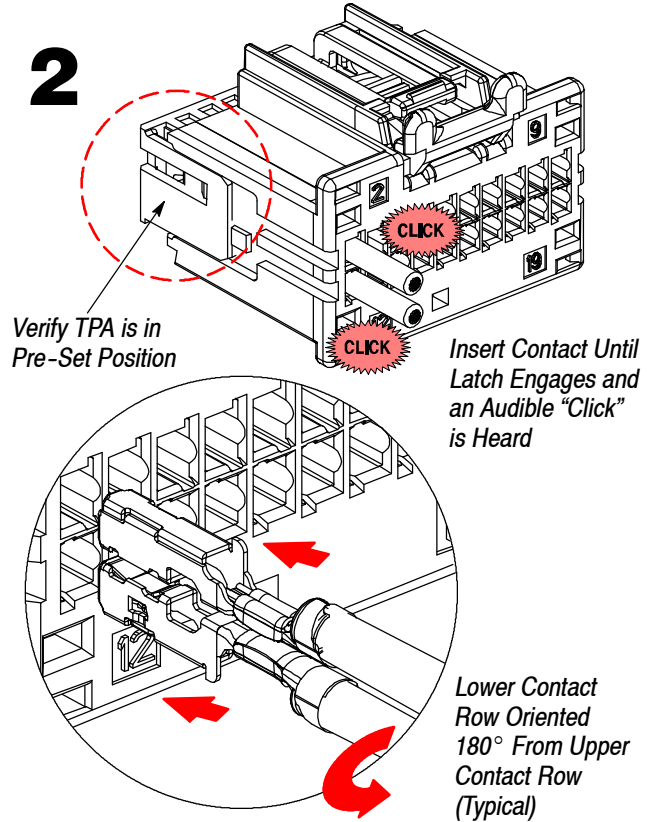
Contact Assembly Instructions

1

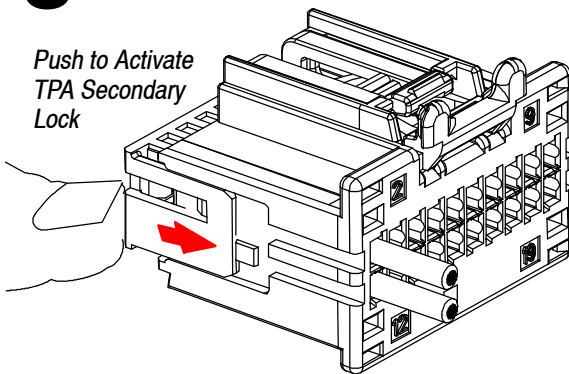


Incorrect Orientations

2

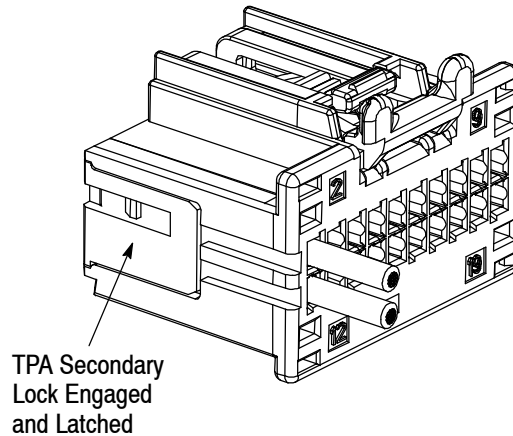


3



After all desired contacts are inserted, engage the TPA secondary lock. A physical resistance to fully engaging TPA indicates contact is not fully inserted. Go back to Step 2.

4



NOTE: This document is representative of all connector positions in this product family.

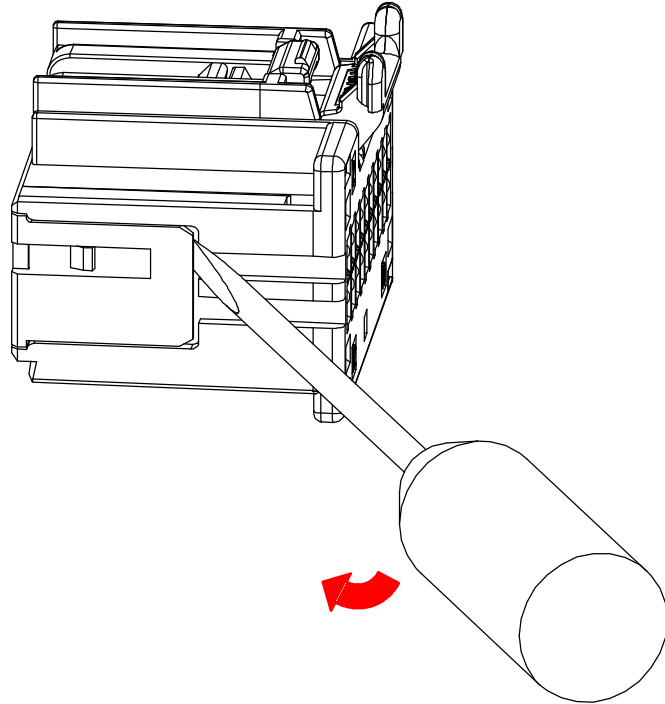
Contact Disassembly Instructions

1

NOTE

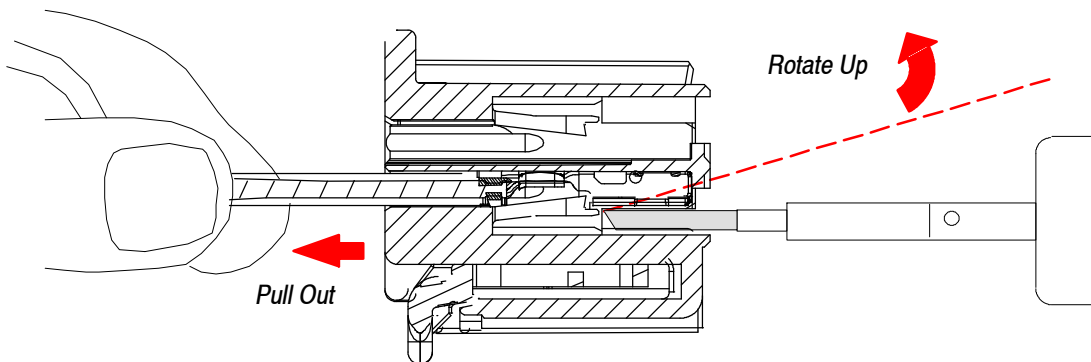


TPA's may become seated during shipping due to bulk packaging. Perform this step to reposition TPA to pre-set location before installing terminals.



Place screwdriver tip in gap between housing and TPA pulling corners forward, individually to disengage side latches.

2



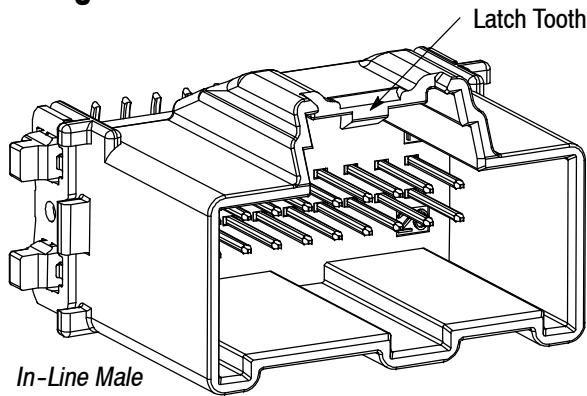
Gently press tool toward the contact latching beam while simultaneously pulling out on wire.

NOTE

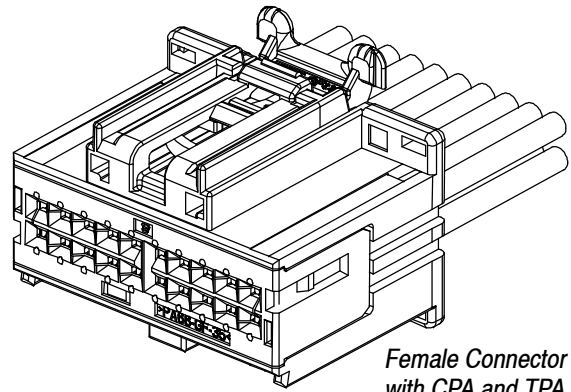


DO NOT re-use damaged or worn contacts. Instead, replace them with new contacts and discard the old ones.

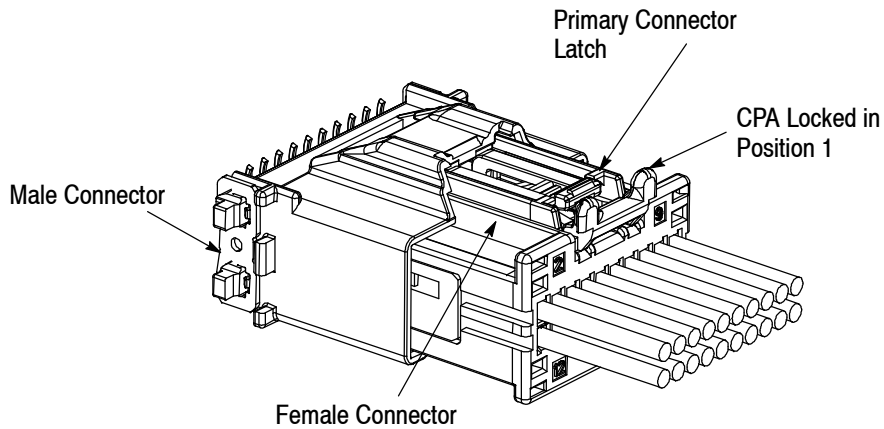
Mating Instructions - with CPA



In-Line Male Connector or Header Interface

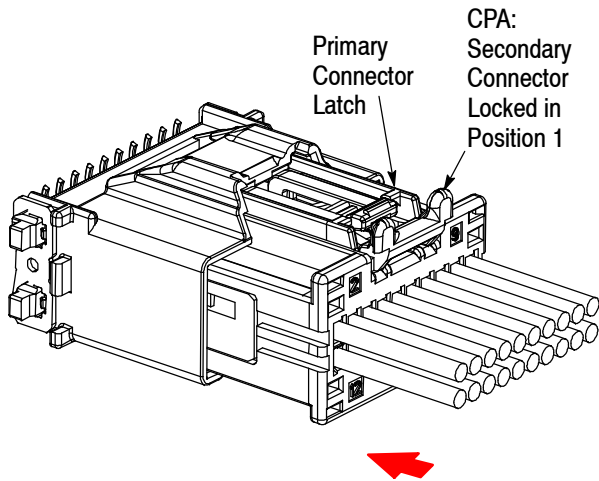


Female Connector with CPA and TPA Fully Engaged



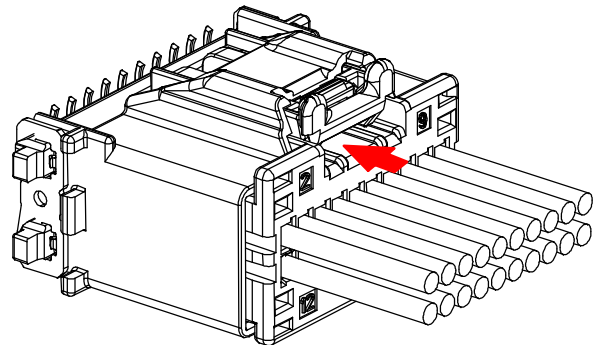
CPA is locked in Position 1 for shipping and handling before engaging the primary connector latch. CPA can not move forward or backward until the connectors are mated and the primary connector latch “clicks” and engages the interface latch tooth.

1 To MATE Connector: PUSH on housing base or sides ONLY.



Do not push CPA forward until primary connector latch “clicks” and engages the interface latch tooth. Repeat - be redundant.

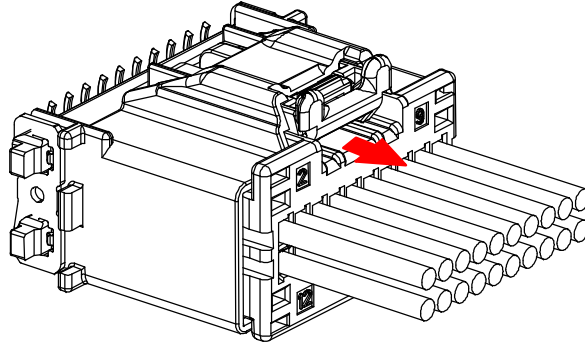
2 To LOCK CPA After Connector Mate: PUSH CPA forward until an audible “click” is heard.



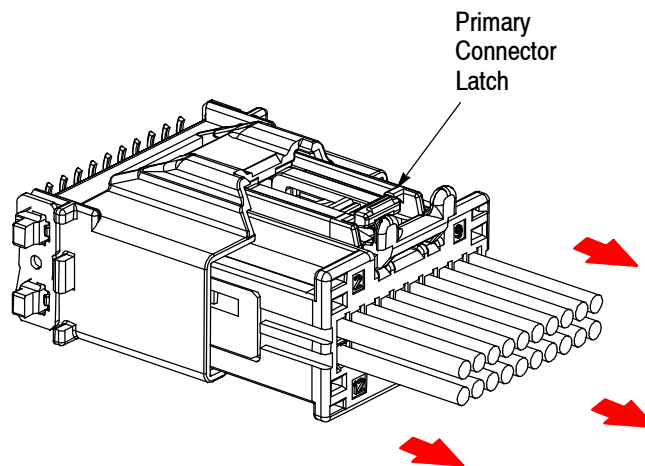
Finally, push CPA forward to engage secondary lock and ensure proper CPA locking.

Unmating Instructions - with CPA

- 1 To UNMATE CPA:** Lightly PULL CPA back to Position 1 (pre-installed position) until audible “click” is heard.



- 2 To UNMATE Connector:** With CPA in Position 1, DEPRESS Primary Connector Latch, then simultaneously pull connector/wires while gripping the housing with thumb, index finger, and palm (wire bundle).



REVISION SUMMARY:

Revisions to this instruction sheet include:

- Initial release of document