

1. INTRODUCTION

The tools shown in Figure 1 are used to extract COAXICON sockets and pins from multiple contact connectors. Tool No. 305141-1 is used to extract all standard COAXICON sockets and pins. Tool No. 305141-2 is used to extract twin COAXICON sockets and pins from rectangular connectors. See Figure 2. Tool No. 305141-4 is used to extract twin COAXICON contacts from Series "W" connectors only. See Figure 3.

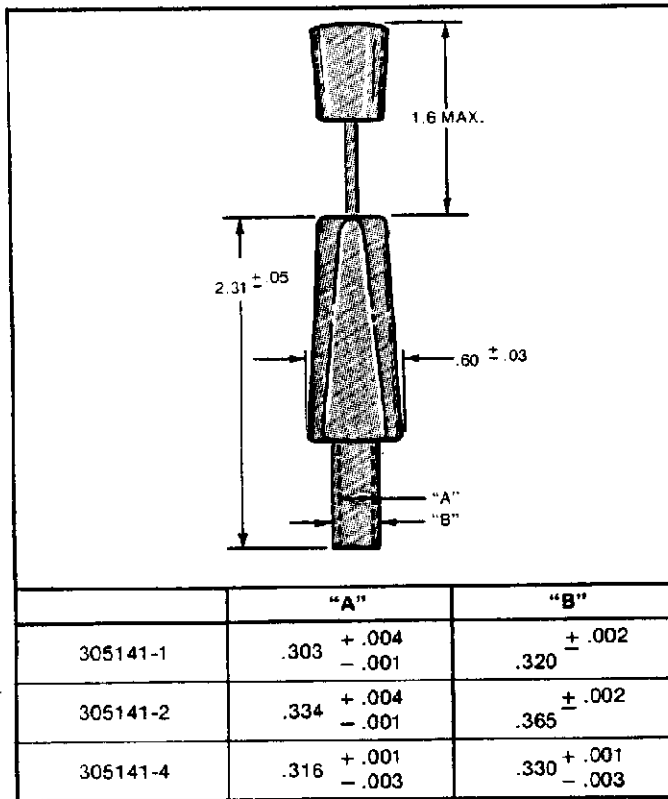


Figure 1

2. EXTRACTION INSTRUCTIONS

- Place end of tool (sleeve) over end of socket or pin as shown in Figure 2.
- Push sleeve into insert cavity as far as it will go. Note that push rod button will "back out" of handle when tip of socket or pin is contacted.
- Rotate handle several times.
- Hold handle down firmly with thumb and forefinger and push button with palm of hand.
- As button is pressed down, socket or pin will be ejected.

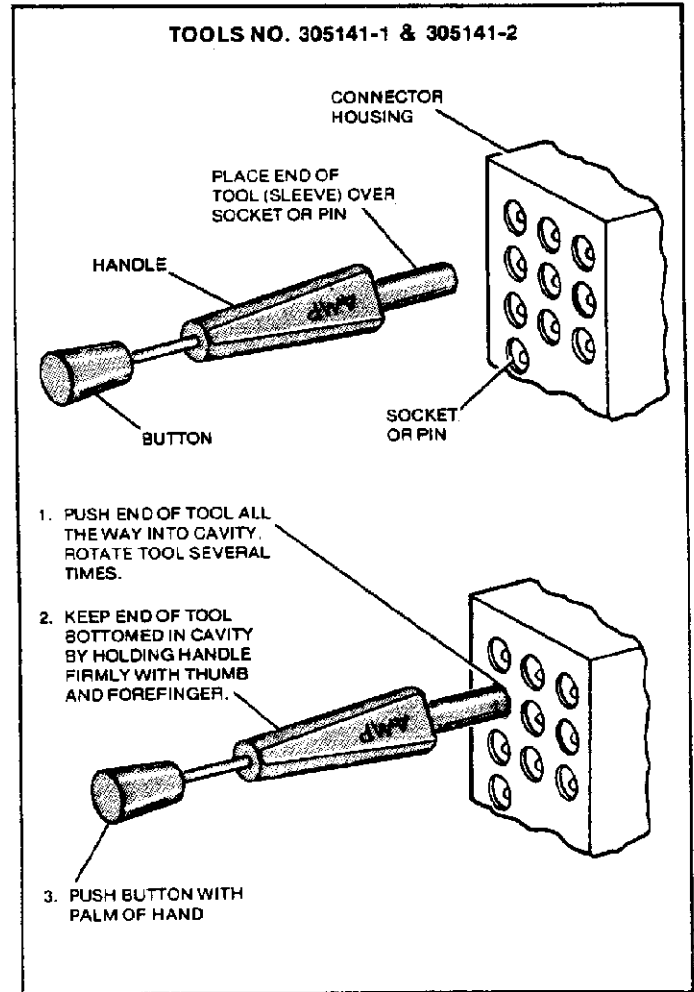


Figure 2

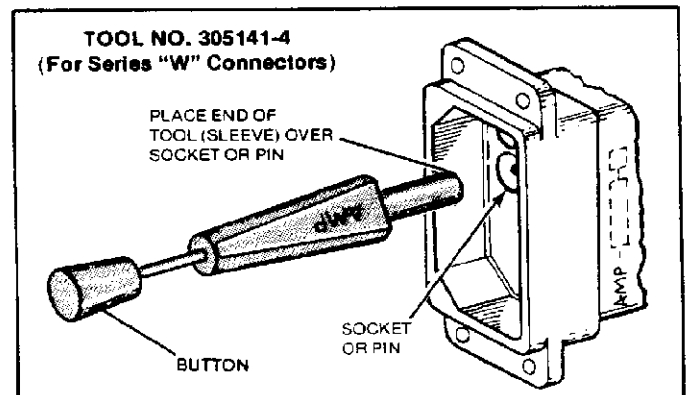


Figure 3

Copyright 1961, 1963, 1979 by AMP Incorporated, Harrisburg, Pa. All International Rights Reserved. AMP Incorporated products covered by U.S. and Foreign Patents and/or Patents Pending.