



AMP ★ TERMI-POINT ★
COMPONENT
COLOR CODE DATA

| | |
|----------------|---------|
| GP 1944 | |
| RELEASED | 6-18-64 |
| REVISED | 3-30-82 |

1. INTRODUCTION

AMP TERMI-POINT .031" x .062" mandrels, mandrel inserts, clips and clip containers are color coded to aid the operator in matching clips and mandrel assemblies. Refer to Figure 1.

| .031" x .062" | | MANDREL & CLIP COLOR CODE |
|---------------------------------------|----|------------------------------|
| WIRE SIZE (Solid or 7 Strand, AWG) | 28 | BLACK |
| | 26 | BROWN |
| | 24 | RED |
| | 22 | ORANGE |

| .022" x .036" | | MANDREL COLOR CODE |
|---------------------------------------|----|-----------------------|
| WIRE SIZE (Solid or 7 Strand, AWG) | 32 | GRAY |
| | 30 | WHITE |
| | 28 | BLACK |

| .031" x .093" | | MANDREL & CLIP COLOR CODE |
|---------------------------------------|----|------------------------------|
| WIRE SIZE (Solid or 7 Strand, AWG) | 20 | YELLOW |
| | 24 | RED |

Figure 1

2. CODE LOCATION

- Clip Identification Label: The color code will appear on the label, containing the part number and quantity, affixed to the clip reel or tube. See Figure 3.

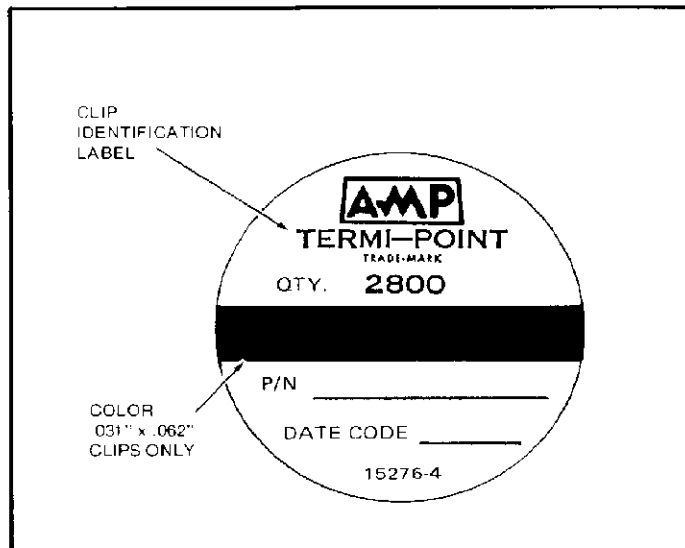


Figure 2

- Clip: The clip is identified by a colored dot or stripe on the crown of the clip. See Figure 4.

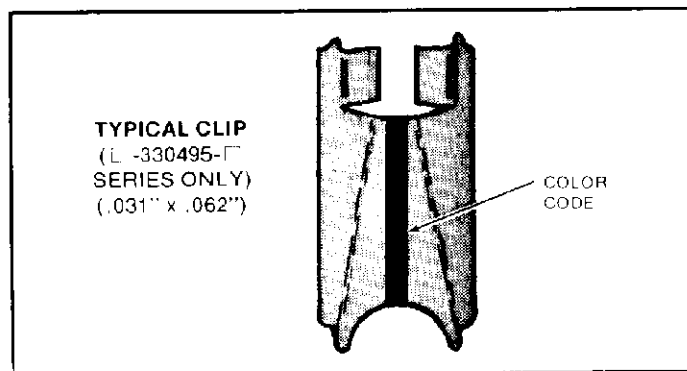


Figure 3

- Mandrels and Mandrel Inserts: The mandrels and mandrel inserts will be color coded as shown in Figure 5. Exact location may vary due to differences in mandrel design.

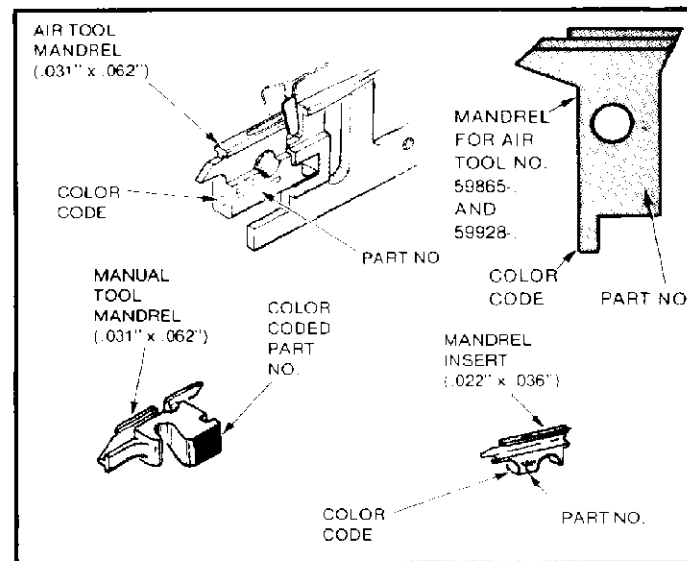


Figure 4

Copyright: 1964, 1966, 1970, 1976, 1979, 1982, by AMP Incorporated, Harrisburg, Pa. All International Rights Reserved. AMP Incorporated products covered by U.S. and Foreign Patents and/or Patents Pending.