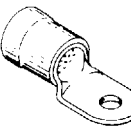
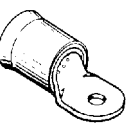
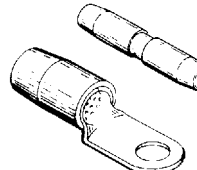
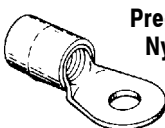
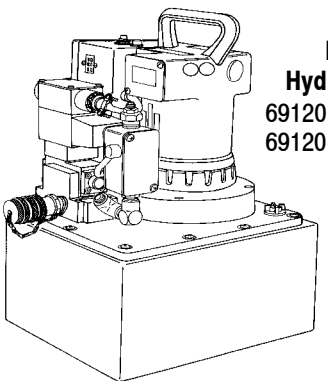


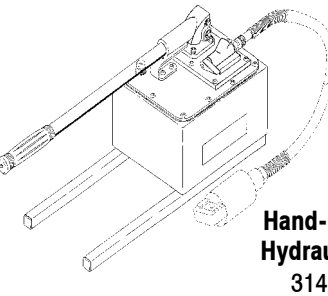
DESCRIPTION	WIRE SIZE	HYDRAULIC TOOLING 69120-[ ],314979, 122271-1		PNEUMATIC TOOLING			TAPE TOOLING			HEAVY HEAD HAND TOOL
		Dies for 69051 59974-1	Dies for 69066 58422-1	Heads for 626	Heads for 69015	Jaws for 68068-[ ]	Dies for 68250-1	Dies for 68354-1	Dies for 69875	
Terminal/Splice Color Code <div style="display: flex; justify-content: space-around; font-size: 8px;"> <span>Red</span>  <span>Blue</span>  <span>Yellow</span> </div>	8	48752-1 47820	48858-1 47236-1†	217942-1 L		68229-1	68247-1●	68355-1	68116-1▲	69959
	6	48753-1 47821●	48859-1 47237-1†			68325-1	68248-1●			
	4	48754-1 47822●	48860-1 47238-1†			314991-1		68249-1●		
	2	48755-1 47823●	48861-1 47239-1†							
	1/0		48756-1 47824● 47378-1†							
	2/0		48757-1 47825●							
PLASTI-GRIP* Terminals 	3/0		48758-1 47915●							
	4/0		48759-1 47918●							
	8	48752-1	48858-1 47236-1†	217942-1 L			68355-1	68116-1▲	69959	
	6	48753-1	48859-1 47237-1†			68325-1				
	4	48754-1	48860-1 47238-1†			314991-1				
	2	48755-1	48861-1 47239-1†							
AMPLI-BOND* Terminals 	1/0		48756-1 47378-1†							
	2/0		48757-1							
	3/0		48758-1							
	4/0		48759-1							
	8	47820●					68247-1●			
	6	47821●					68248-1●			
TERMINYL* Terminals and Splices 	4	47822●					68249-1●			
	2	47823●								
	1/0		47824●							
	2/0		47825●							
	3/0		47915●							
	4/0		47918●							
Pre-Insulated Nylon H.D. 	4		69463●							

● No insulation crimp  
 † Large expansion  
 ▲ Foot pedal operation only

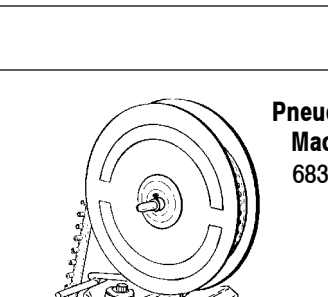
### TOOLING AND ACCESSORIES



**DYNA-CRIMP\* Hydraulic Power Units**  
 69120-1 (115 VAC - 60 Hz)  
 69120-2 (230 VAC - 60 Hz)



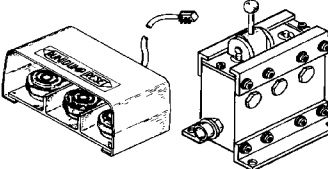
**Battery-Operated Hydraulic Unit**  
 122271-1



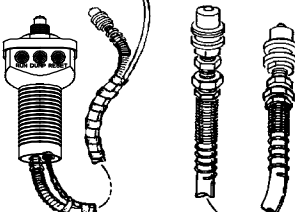
**Hand-Operated Hydraulic Pump**  
 314979-1

**Hydraulic**

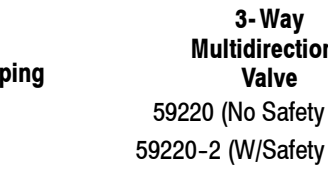
**Handle Control W/Hose and Cord**  
 59907-[ ]



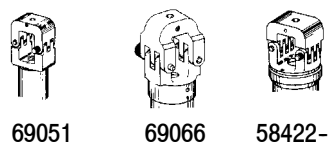
**Foot Control**  
 68284-1



**Hose Assy W/Crimping Head Coupling**  
 59909-[ ]



**3-Way Multidirectional Valve**  
 59220 (No Safety Sw)  
 59220-2 (W/Safety Sw)

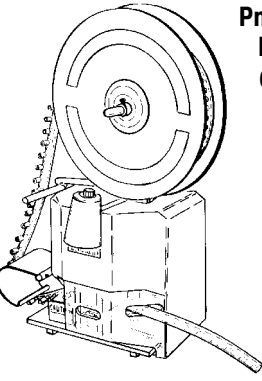


**Hydraulic Crimping Heads**  
 69051 69066 58422-1

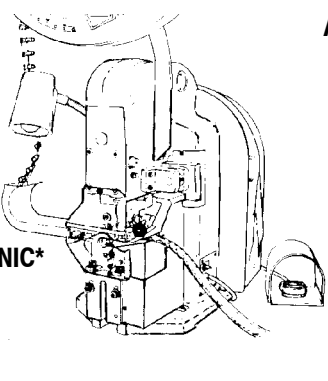
**Hand Tool**  
 59974-1

---

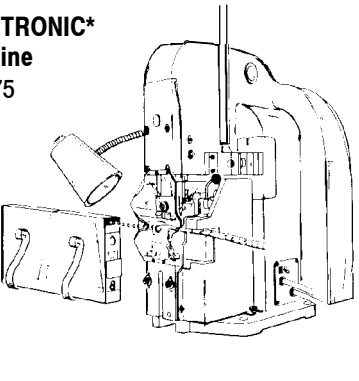
### Tape Machines



**Pneudraulic Machine**  
 68354-1



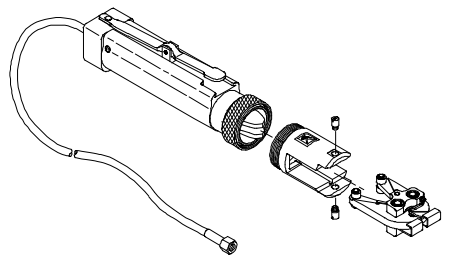
**AMP-TAPETRONIC\* Machine**  
 68250-1



**AMP-TAPETRONIC\* Machine**  
 69875

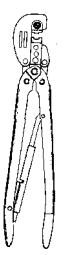
---

**Pneumatic**

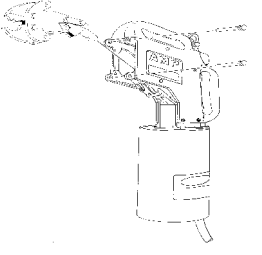


**626 Pneumatic Tooling Systems**

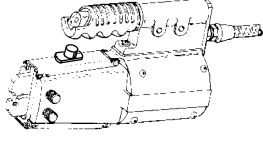
**Hand Tool**



**Heavy Head Tool**



69015



68068