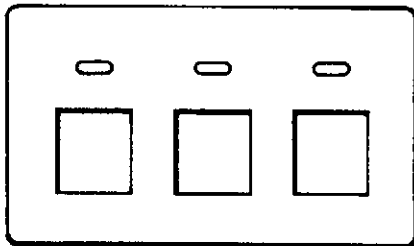


2 PORT



3 PORT

FACEPLATE KIT	
PART NUMBER	DESCRIPTION
558106	2 Port – Will accept any combination of unshielded, shielded, and grounded 110Connect Modular Jacks
558107	3 Port – Will accept any combination of 3 unshielded 110Connect Modular Jacks

Figure 1

93-223

1. INTRODUCTION

This instruction sheet provides assembly procedures for the faceplate kits listed in the chart in Figure 1.

2. DESCRIPTION

The FLEX-MODE faceplate kits include a faceplate, two spacer tubes, and one set of icons for identifying data or telephone receptacles.

3. INSTALLATION PROCEDURES

1. Remove panel knockouts from modular furniture.

2. Pull cables through panel opening. Terminate the 110Connect Modular Jacks according to Instruction Sheet 408-3278.

NOTE The faceplates accept the 110 jacks with the keystone size face. They will NOT accept the discrete (DECT) version.

3. Align movable latch with "TOP" marking molded onto inside of faceplate. Insert terminated jack, at a slight angle, into back of faceplate until latches snap into place (see Figure 2).

4. Insert appropriate icon.

5. Install faceplate into modular furniture according to Instruction Sheet 408-3314.

NOTE To remove a modular jack, insert a screwdriver tip over the movable latch and pry down slightly to release the latch. Pull jack out back of panel.

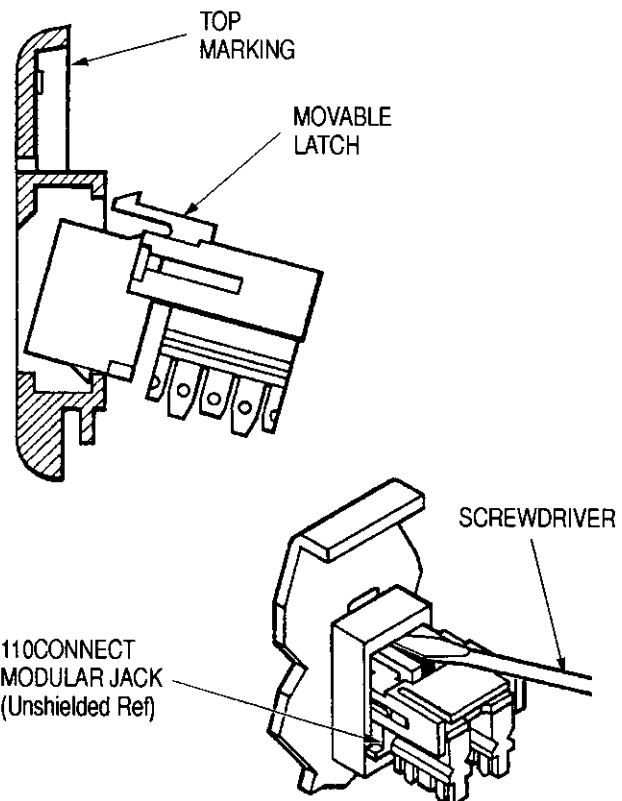


Figure 2

93-224