

Cable Clamp and Adaptor Base Part Numbers	
747868	5747824
748100	5748665
748152	

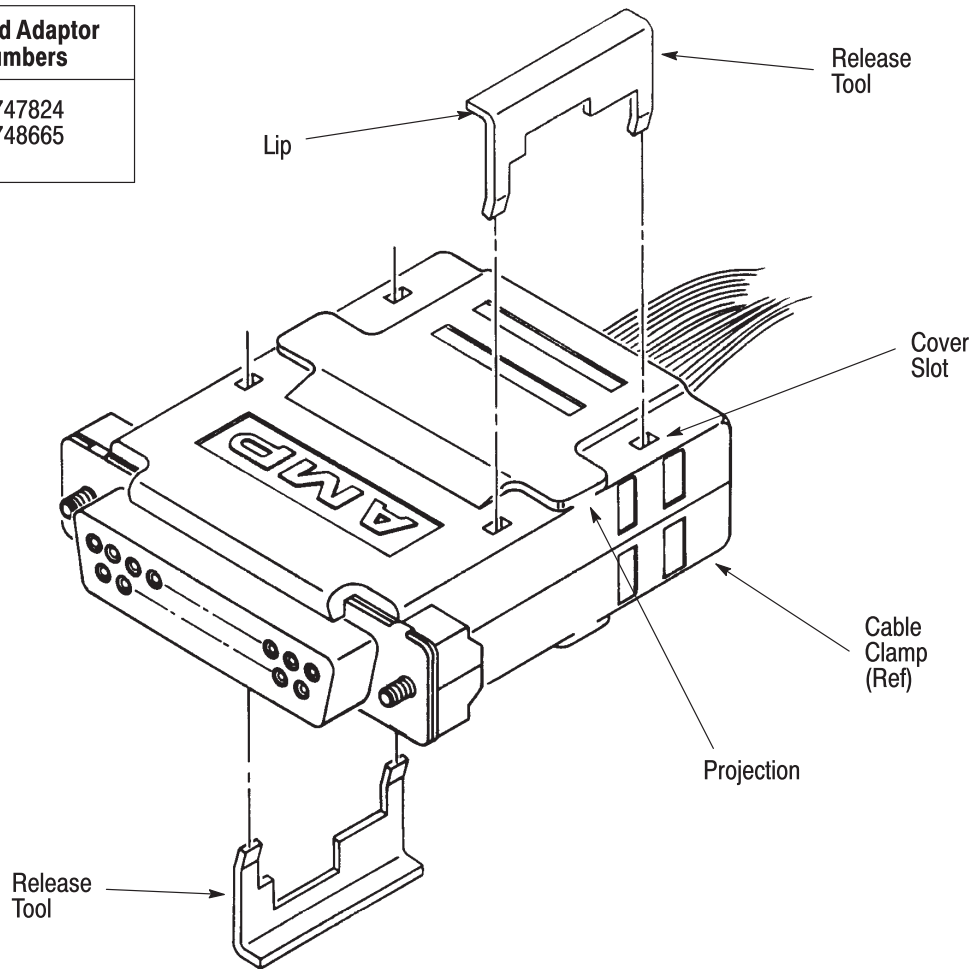



Figure 1

1. INTRODUCTION

This instruction sheet covers Release Tool Kit 91266-2 which is used to release the AMPLIMITE connector cable clamps and adaptors listed in Figure 1. Read these instructions carefully before using the tool kit.

NOTE  All dimensions on this document are in metric units [with U.S. customary units in brackets]. Figures and illustrations are for identification only and are not drawn to scale.

2. DESCRIPTION

The release tool kit consists of two 91266-1 tools which are used together to release a cable clamp. The tools, when inserted into the cable clamp, release the locking tabs to allow the clamp to separate.

NOTE

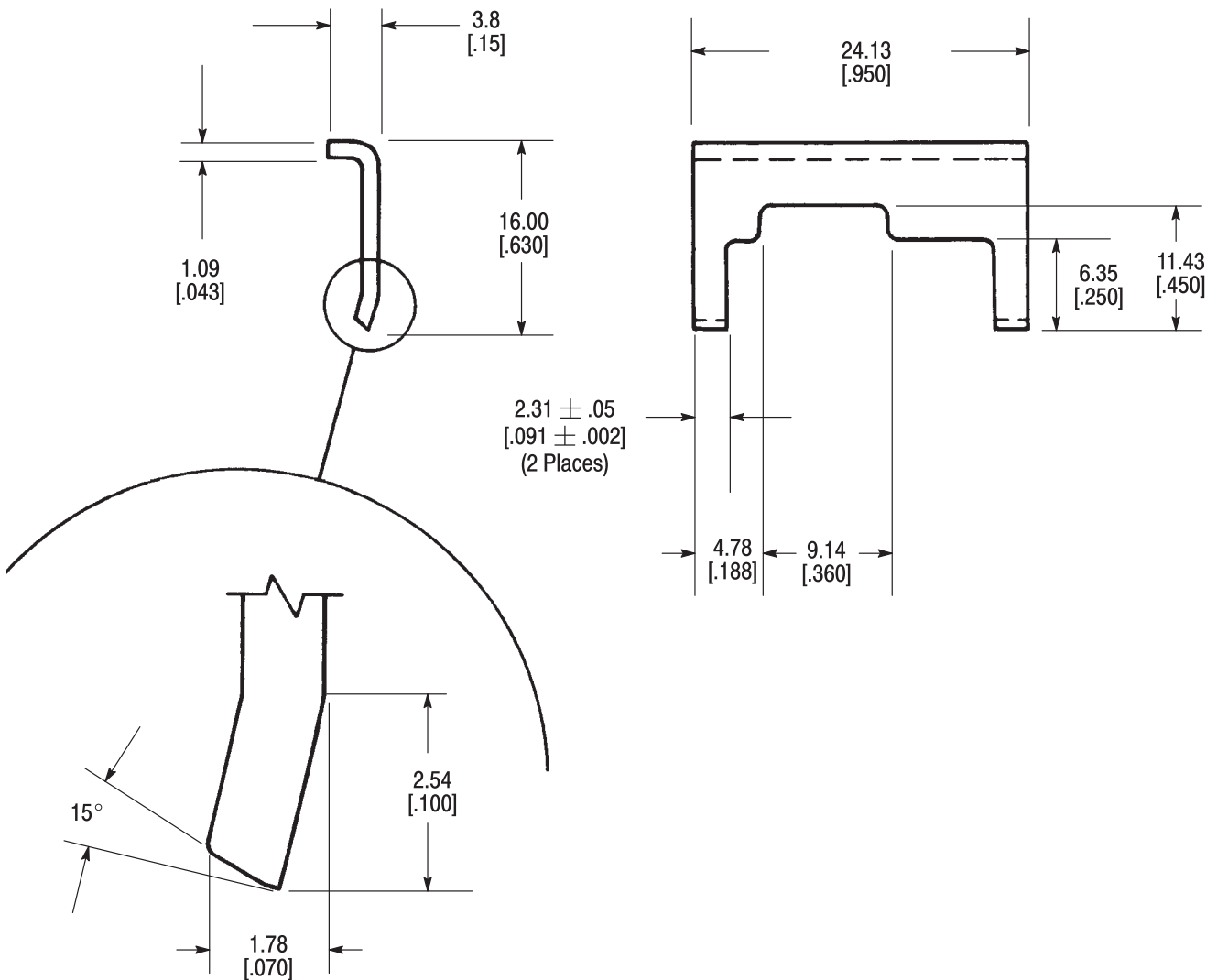


The use of both release tools is required to separate the cable clamp.

3. RELEASING PROCEDURES (Figure 1)

Proceed as follows:

1. Align one release tool with cover slots so that lip of tool faces towards center of cable clamp, and so that the tool straddles the projection on the cable clamp.
2. Insert the other tool into the slots at the opposite corner of the cable clamp.
3. Apply pressure to both release tools and pull the clamp apart; then remove the release tools from the clamp.



Weight: 14g [1/2 oz], approximate (per kit)

Figure 2

4. TOOL INSPECTION (Figure 2)

Release Tool Kit 91266-2 should be inspected with the information provided in Figure 2. We recommend that you inspect the kit immediately upon its arrival to ensure that the kit has not been damaged and at regularly scheduled intervals.

Additional tools can be purchased from:

Tyco Electronics Corporation
 P. O. Box 3608
 Harrisburg, PA 17105-3608

5. REVISION SUMMARY

Revisions to this instruction sheet include:

- Updated related clamp part numbers in Figure 1
- Broadened title and description to include adaptors, as well as clamps.
- Updated document format to corporate requirements.