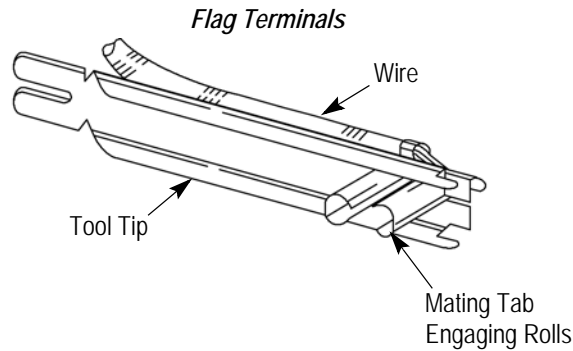
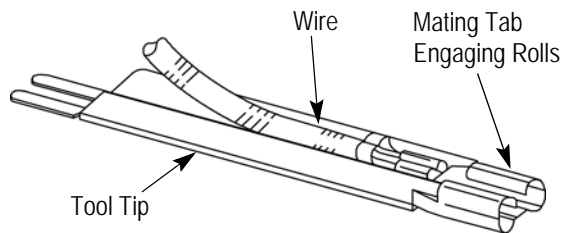


Note: For Clarity, Tip Shown Not Installed onto Tool



110, 187, 205, and 250 Series Terminals

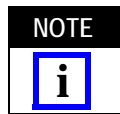


FASTON TERMINAL	INSERTION TIP	WIRE INSULATION DIAMETER OR TERMINAL CRIMP WIDTH (mm [in.])
Tab-Lok Flag	465468-1	--
250 Series	465468-1	4.70 [.185] or Less
	465488-1	Over 4.70 [.185]
187 and 205 Series	465468-2	3.40 [.155] or Less
	465488-2	Over 3.40 [.155]
110 Series	465468-3	2.41 [.095] or Less
	465488-3	Over 2.41 [.095]

Figure 1

1. INTRODUCTION

The insertion tips listed in Figure 1 are designed to be used with Universal Hand Tool Assembly 465629-[] to insert the terminals also listed in Figure 1 onto a tab. For information on the tool, refer to Instruction Sheet 408-7141.



Dimensions in this instruction sheet are in metric units [with U.S. customary units in brackets]. Figures are not drawn to scale.

Reasons for reissue of this instruction sheet are provided in Section 5, REVISION SUMMARY.

2. DESCRIPTION

The insertion tip, when installed on the tool, is used to insert the mating tab engaging rolls of the terminal over the mating face of the tab while protecting the wire from damage.

3. TIP INSTALLATION

1. Select the proper tip according to Figure 1.
2. Place the tip on the tool tip holder so that the slot fits through the Type U drive screw of the tip holder. See Figure 2.
3. Keeping the tip and tip holder aligned, push the tip toward the tool until the tip locks in the tip holder.

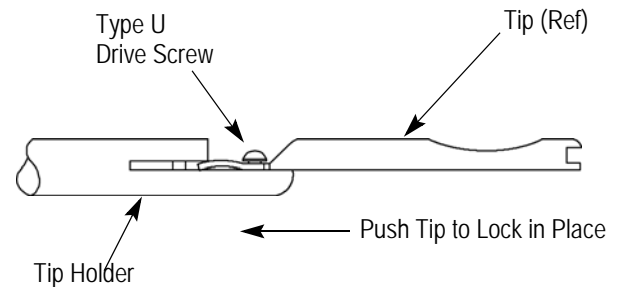
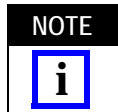


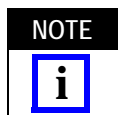
Figure 2

4. To remove the tip from the tool, pull the tip straight from of the tip holder, and lift it off of the Type U drive screw.

4. INSERTION PROCEDURE



The terminal must be properly crimped before inserting it onto the tab. Refer to the terminal application specification (114-series) for crimp requirements.



The tip must be installed onto the tool before placing the terminal onto the tip.

1. Slide the terminal and wire onto the tool tip as shown in Figure 1.
2. Holding the wire in place, push the terminal onto the tab.

5. REVISION SUMMARY

Since the previous version of this document, the following changes were made:

- Updated document to corporate requirements