



A-MP★ EXTRACTION TOOL 91018-1
FOR
AMP-TAB★ FEMALE CONTACTS

IS 7150	
RELEASED	3-12-64
REVISED	4-26-71

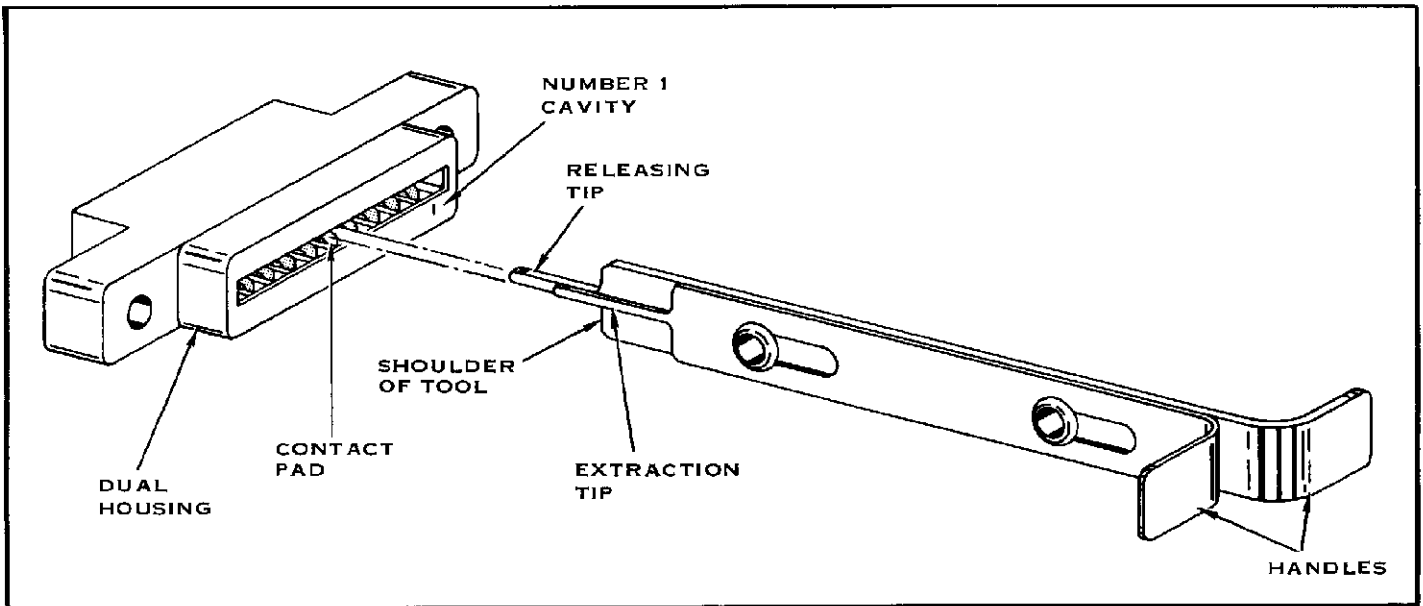


FIGURE 1

1. INTRODUCTION

The A-MP Extraction Tool 91018-1 is designed to remove Female Contacts from AMP-TAB (Dual) Housings. See Figure 1.

2. EXTRACTION PROCEDURES

Once a Contact has been removed from the housing, it must be discarded, it should never be reinstalled in the housing.

Proceed as follows:

- Slide the Extraction Tip back so the Releasing Tip is extended, then center the tool between the Contact Pads as shown in Figure 1.

NOTE The Releasing Tip must always be on the side towards the number 1 cavity.

- Insert the Releasing Tip into the Contact's Cavity until the Shoulder of the Tool bottoms on the Housing. At this point, the Releasing Tip has released the Locking Latch of the contact and the Extraction Tip is against the Bridge of the contact as shown in Figure 2.

- Hold the tool in position and push on the Handle of the Extraction Tip. The Contact will back part way out of the Housing.
- Remove the Tool from the Housing. Then pull back on the Contact to completely remove it from the Housing.

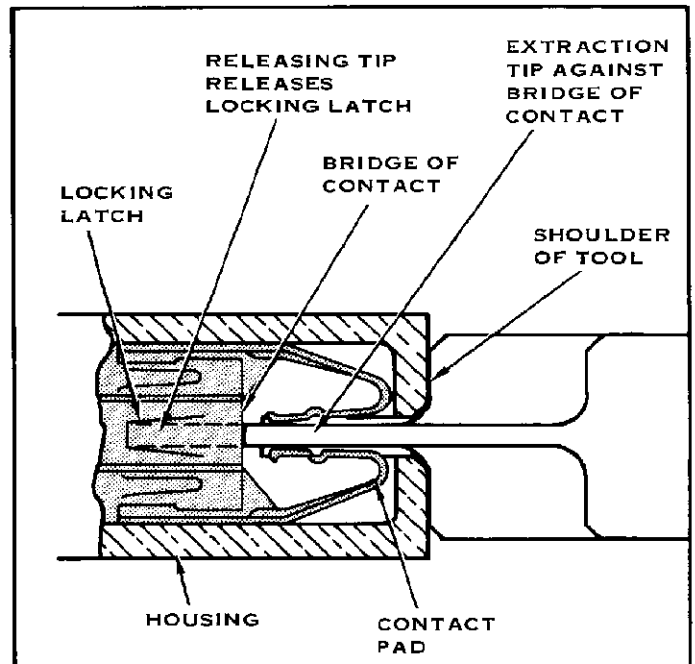


FIGURE 2

© 1964 - 1971 by AMP Incorporated. All international rights reserved. A-MP products covered by U.S. and foreign patents and/or patents pending.