

Figure 1

## 1. INTRODUCTION

Extraction Tool 457241-1 is designed for removing contacts from Bifurcated Leaf connectors. Read this material thoroughly before extracting any contacts.

## 2. DESCRIPTION

This tool consists of a lance release tip for depressing the contact locking lance, and an extraction tip for pushing the contact from the connector.

## 3. CONTACT EXTRACTION

Refer to Figure 1 and proceed as follows:

1. Determine which contact is to be removed. Look straight into the FRONT (mating face) of the housing and notice the lance release slot, located between the contact and outer edge of the housing.
2. Grasp the wire of the contact to be removed, and push the contact forward slightly. This will move the contact locking lance away from the housing material and allow the contact to be removed more easily, without possible damage to the locking lance.
3. While pushing forward on the wire, insert the tool lance release tip straight into the lance release slot until the tip bottoms. The contact locking lance is now depressed and the wire may be released.



### CAUTION

Do NOT pry or twist the tool when inserted in housing, otherwise, damage to the tool and/or housing may result.

4. Maintaining inward pressure on the release tip, push the handle of the extraction tip forward. The contact will partially back out of the housing.
5. Remove the tool and pull contact out the BACK of the housing.

#### 4. TOOL CERTIFICATION

Extraction Tool 457241-1 should be certified with the information provided in Figure 2. The tool should be inspected immediately upon arrival at your facility to be sure it has not been damaged in transit, and at regularly scheduled intervals to be sure it remains functional. Additional tools can be purchased from TE Connectivity.

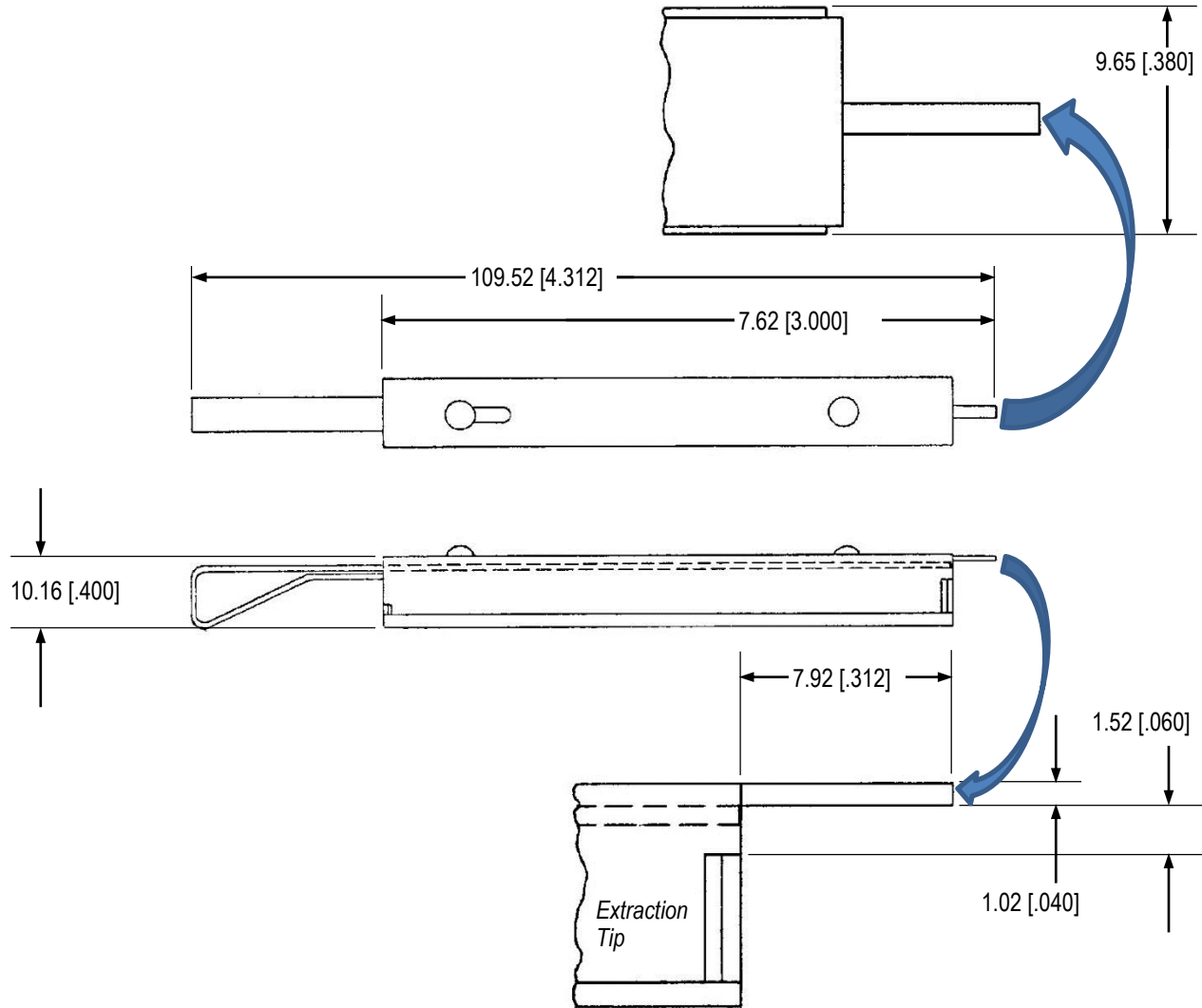


Figure 2