

The blocks may be terminated with Impact Tool 569994-1. Remove loose wire pieces. If tool does not properly trim wires, replace tool blade with Replacement Blade 569995-1. Use of other cutting tools to trim wires may damage patch panel.

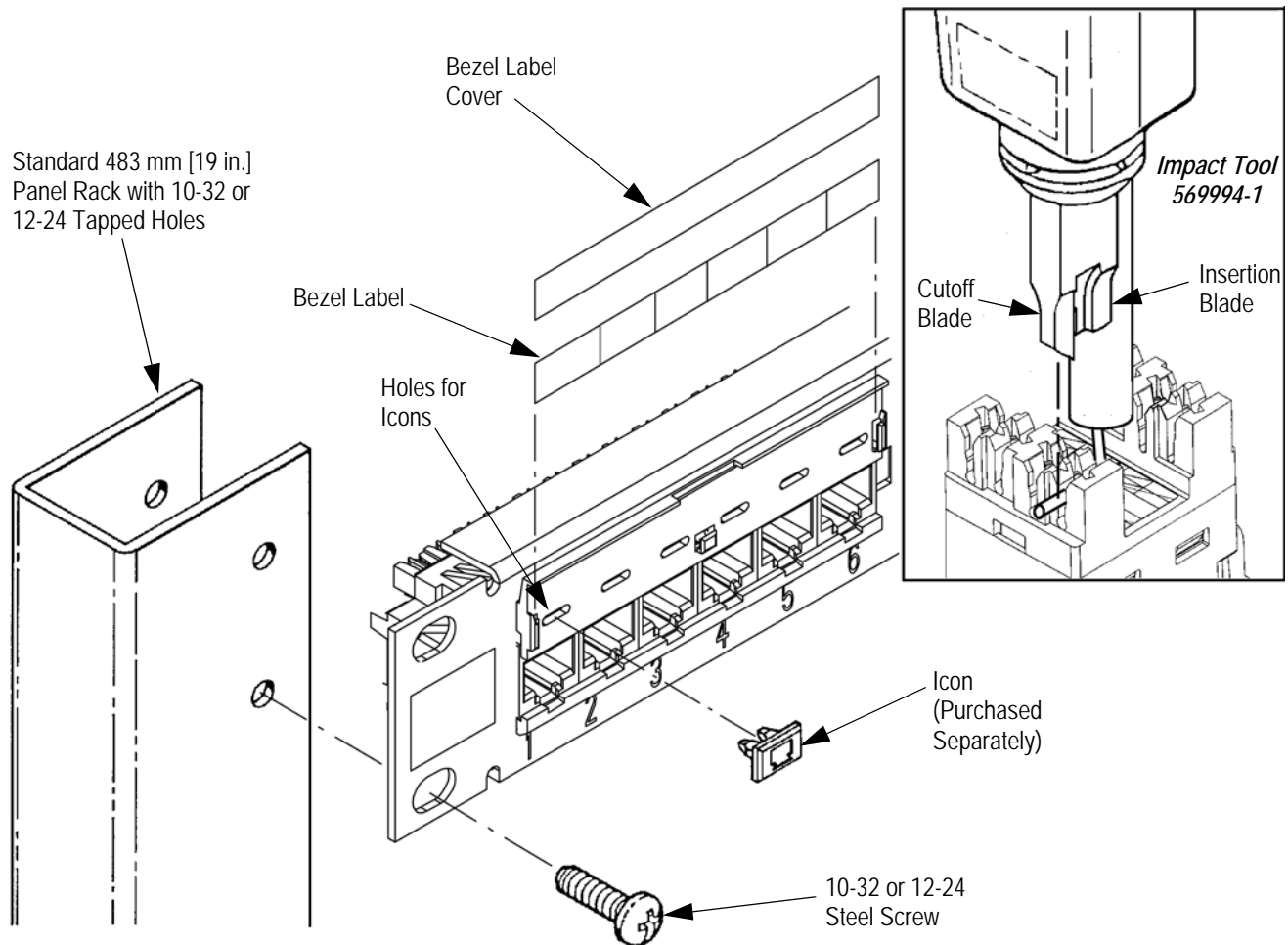
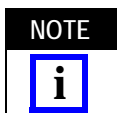


Figure 1

1. INTRODUCTION

This instruction sheet covers the installation procedures for CAT 6 System Modular Universal Wiring Patch Panels. The panels can be mounted on any standard 483 mm [19 in.] equipment rack or communication cabinet as shown in Figure 1.

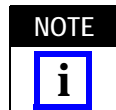


All dimensions are in millimeters [with inches in brackets]. Figures are not drawn to scale.

Reasons for reissue of this sheet are provided in Section 5, REVISION SUMMARY.

2. DESCRIPTION

Each panel includes the necessary mounting hardware, bezel labels, label covers, and wiring label. See Figures 1 and 2.



Cable Management Bars 406042-1 and 557548-1 (ordered separately) are recommended for wire dress management. See Figure 3.

3. INSTALLATION PROCEDURES

3.1. General Instructions

Assemble cable management bar(s) as shown in Figures 2 and 3.

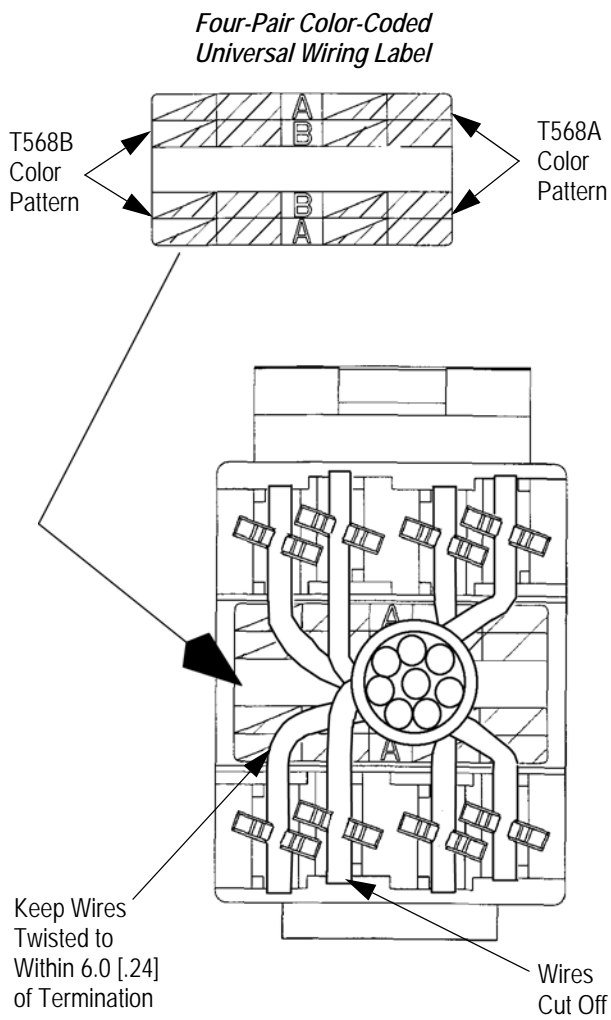
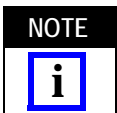


Figure 2

3.2. Special Instructions for Performance Transmission Applications



At all times, the wiring practices must comply with practices of ANSI/TIA/EIA-568-A Specification.

Guidelines covered in this specification, and shown in Figures 2 and 3, must be followed.

4. CABLE MANAGEMENT

For all Category 6 patch panel installations, it is highly recommended that cable management bars (purchased separately) be used to route cables to rear of panels. See Figure 3.

Cable Management Bar 406042-1 (63.5 mm [2.50 In.] Deep) or 557548-1 (127 mm [5 In.] Deep) Mounts Directly to Rack (Bar Purchased Separately)

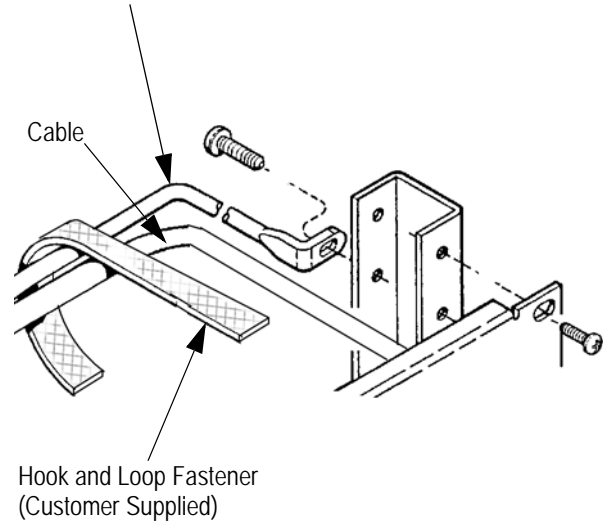


Figure 3

5. REVISION SUMMARY

Since the previous version of this document, the following changes were made:

- Updated document to corporate requirements.