




1. INTRODUCTION

This instruction sheet provides termination and installation procedures for ACO Single Port Kits. The kits can be used in panel mount or furniture raceway applications. Optional faceplate kits and various adapter insert assemblies are available to meet either application.

NOTE  Dimensions on this sheet are in millimeters [with inches in brackets]. Figures are not drawn to scale.

2. TERMINATION PROCEDURES

NOTE  The 110Connect card edge connector comes pre-installed in a single port housing. The single port housing functions as a secure holding fixture while terminating.

NOTE  The edge connector is approved for use with 22 through 24 AWG solid wire with a maximum outside insulation diameter of 1.6 mm [.06 in.] (100 ohm UTP or STP).

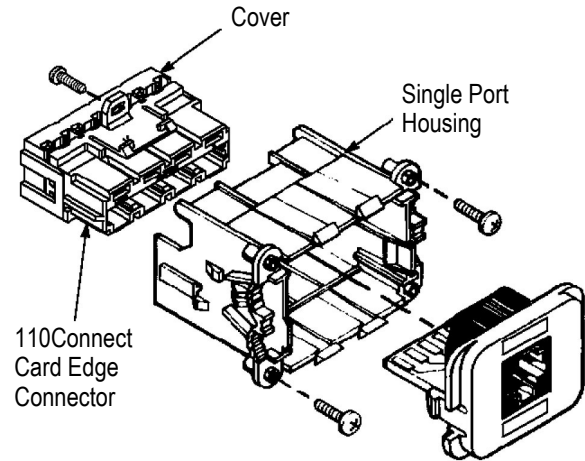
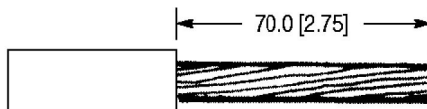
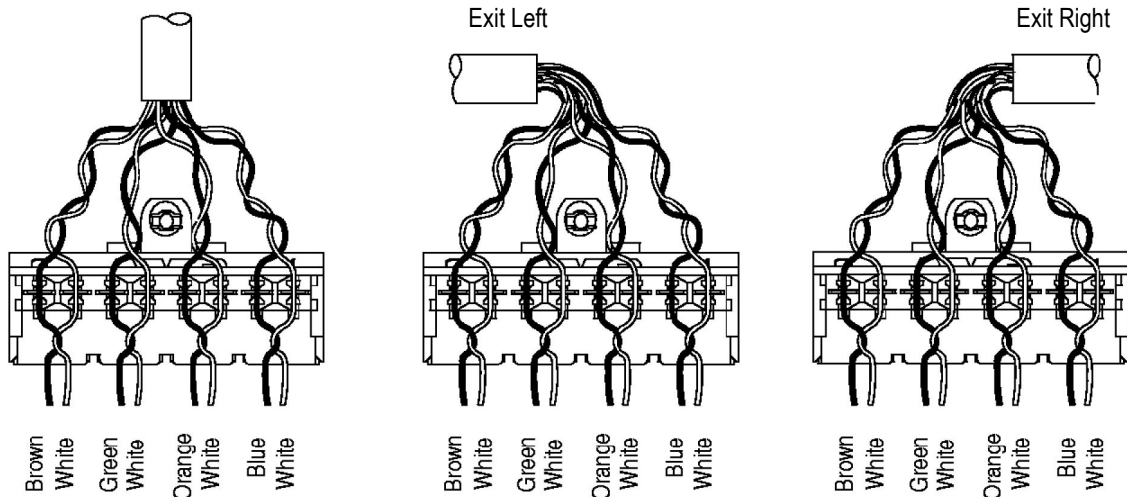
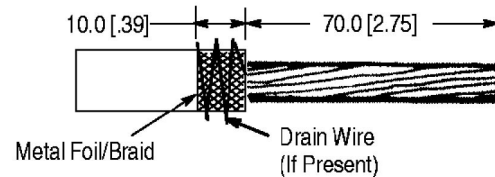


Figure 1

Unshielded Applications



Shielded Applications



NOTE For unshielded applications, any of the above cable exit configurations may be used. For shielded applications, the cable must exit either left or right.

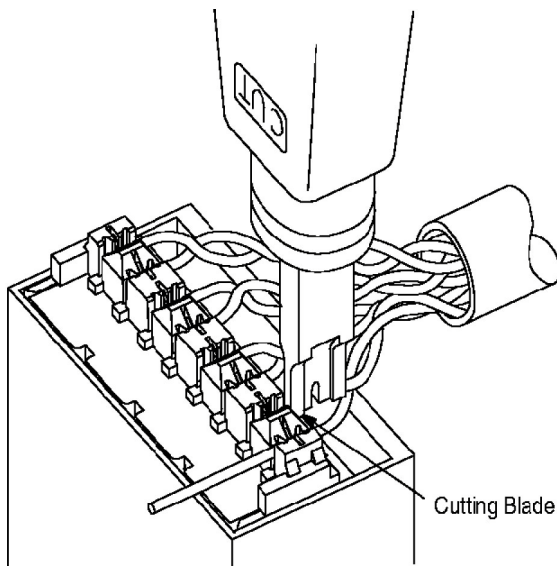
Figure 2

2.1. Unshielded Applications

1. Remove approximately 70.0 mm [2.75 in.] of the cable jacket.
2. Determine the direction of the cable exit. Using any of the configurations in Figure 2, arrange pairs accordingly.

NOTE *It is recommended to maintain the pair twists to within 6.4 mm [.25 in.] of the termination with Category 6 cables*

3. Terminate conductors using Impact Tool 558418-1, 569994-1, 346859-1, or 1375308-1. See Figure 3.



NOTE *It is recommended to use the low impact setting of the impact tool. Use cutoff blade to trim conductors. Wire should be in bottom of slot, if not, punch down again. Remove loose wire pieces.*

Figure 3

2.2. Shielded Applications

1. Remove approximately 70.0 mm [2.75 in.] of the cable jacket.
2. Remove 60.0 mm [2.36 in.] of the metal foil/braid. Fold the 10.0 mm [.39 in.] metal foil/braid back over the cable jacket as shown in Figure 2.
3. If a drain wire exists, do not remove it. Wrap all of the drain wire around the metal foil/braid.
4. Determine the direction of the cable exit (either left or right). Using the template in Figure 2, arrange pairs accordingly.

NOTE *It is recommended to maintain the pair twists to within 6.4 mm [.25 in.] of the termination with Category 6 cables*

5. Terminate conductors using Impact Tool 558418-1, 569994-1, 346859-1, or 1375308-1. See Figure 3.

3. INSTALLING COVER

Mate cover as shown in Figure 4. Make sure latches on cover enter to all pins in the housing. Listen for the double click, which indicates correct connection.

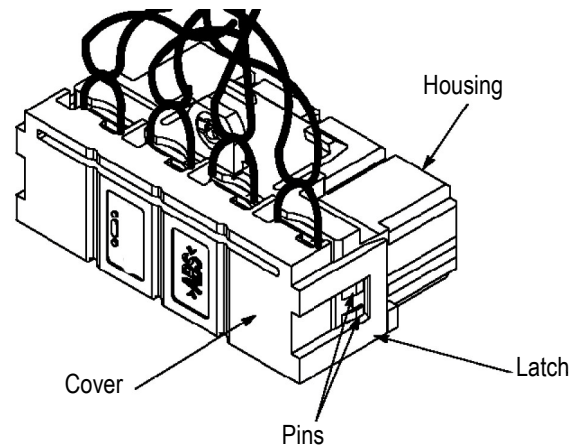


Figure 4

4. PANEL MOUNT

4.1. Unshielded Option (Figure 5)

1. Snap housing into back of panel.

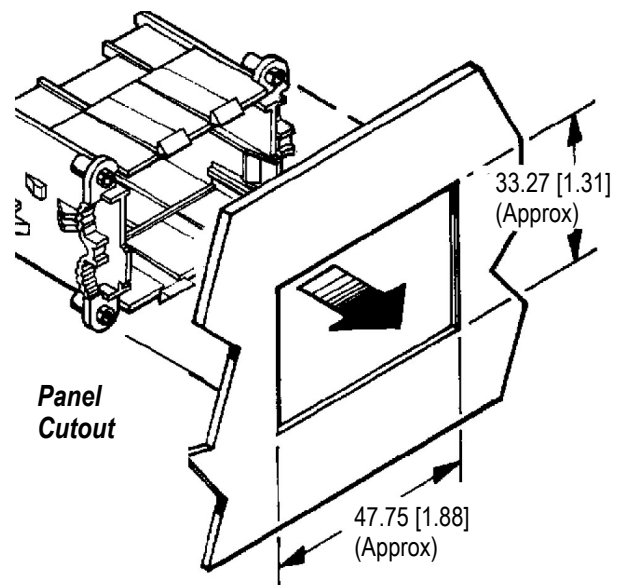


Figure 5

2. Install two No. 2 screws into two posts located diagonally apart. Tighten screws to clamp housing to panel. See Figure 6.

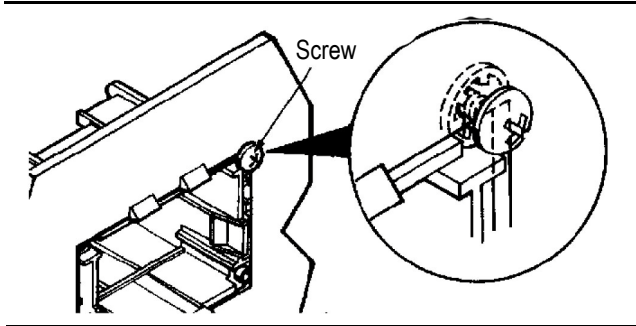


Figure 6

4.2. Shielded Option (Grounding Option)

Inserting the housing into a metal panel will ground the housing; however, if an absolute electrical ground is required, proceed as follows:

1. Press the two No. 4 serrated washers onto two diagonal posts of the housing. See Figure 7.

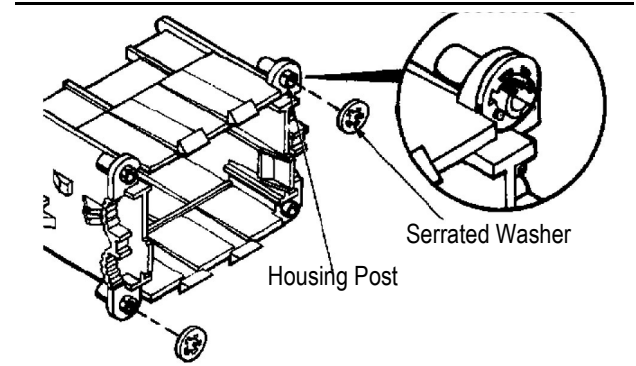


Figure 7

2. Snap housing into BACK of panel.
3. Install the two No. 2 screws onto the two posts which hold the serrated washers. Tighten screws to clamp housing to panel. See Figure 6.

5. FURNITURE RACEWAY (Figure 8)

1. Pull cable through panel cutout.
2. Snap housing into BACK of bezel adapter.
3. If using furniture raceway faceplate kits, snap the bezel adapter and housing assembly into the raceway opening.

6. SHIELDED APPLICATIONS

1. Break away a portion of the tab on the side of the metal shield (side oriented with cable exit). See Figure 9.

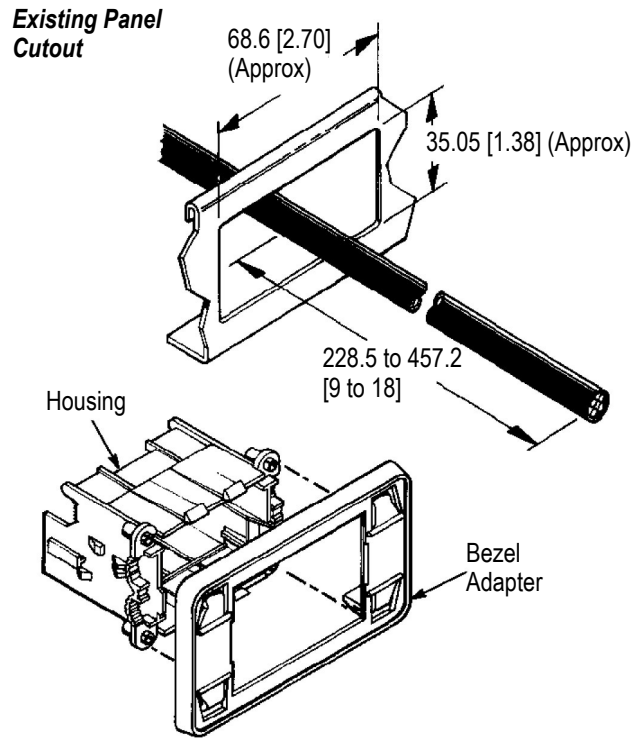




Figure 8

NOTE  To minimize electromagnetic interference (EMI), remove a small portion of the tab at a time to provide a tight fit around the cable shield.

NOTE  To ensure optimum performance, be sure to follow national and local grounding ("earthing"), bonding, and EMC regulations and procedures.

2. Install shield clip as shown in Figure 9. Shield clip should make contact with metal braid.

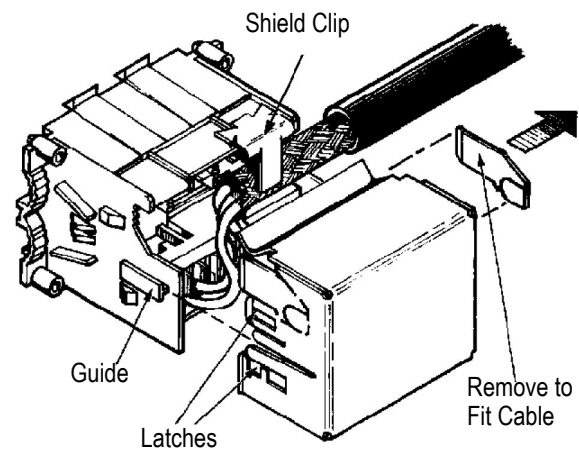


Figure 9

3. Slide the metal shield onto the guides on the BACK of the housing. Push shield over housing until all four latches snap into place.

7. INSTALLATION OF INSERTS

1. Install connector inserts by pushing the insert into the appropriate port. Align insert latches with tabs on the edge of the housing. If a port is not used, install a blank insert into the port. See Figure 10.

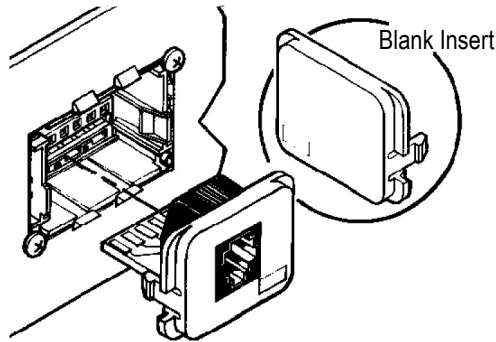


Figure 10

2. If installing the faceplate kit, align and press the faceplate onto the FRONT of the housing. See Figure 11.

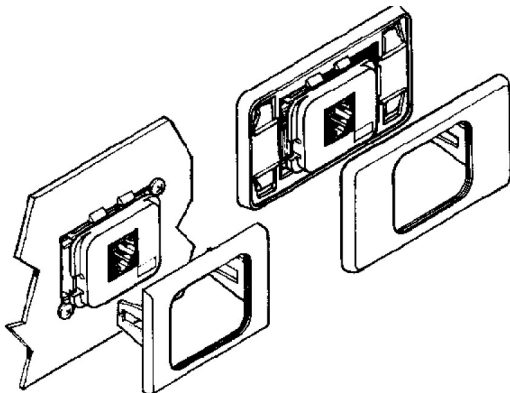


Figure 11

8. CONNECTOR INSERT REMOVAL

1. Pull the faceplate straight out or pry the faceplate at the slot on each side.
2. Insert a small screwdriver blade into the gap on the side of the insert (between the insert and the tab on the edge of the housing). As each latch disengages, rock the insert to release the side. See Figure 12.
3. Repeat procedure on the other side; then remove insert.



Do NOT try to pry insert out.

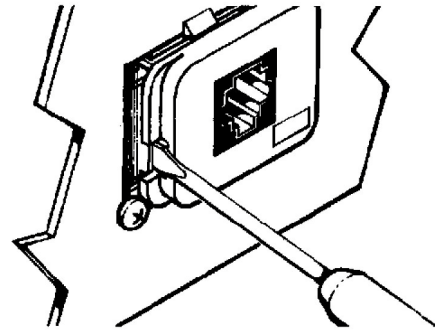


Figure 12

9. BEZEL ADAPTER REMOVAL

Release each corner latch with the blade of a small screwdriver while pulling outward lightly on the bezel adapter. See Figure 13.

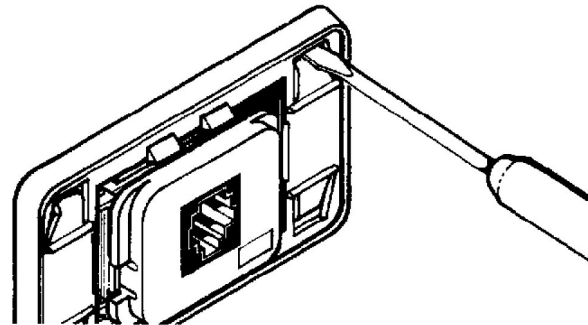


Figure 13

10. REVISION SUMMARY

Since the previous release of this instruction sheet, the TE logo has been applied.