

Figure 1

**1. INTRODUCTION**

This instruction sheet provides mating and unmating procedures for 40-Position Hybrid Harness Connector Assemblies 1488846-[ ]. Each connector assembly mates with a customer-supplied interface assembly, which can be molded into an electronic module box.

Moving Alignment Plate 1488541-[ ] (available separately) must be installed into the interface assembly to ensure blade positioning. Refer to Figure 1.

Reasons for reissue of this instruction sheet are provided in Section 4, REVISION SUMMARY.

**2. DESCRIPTION**

Each connector assembly features a housing, terminal position assurance (TPA) (used when inserting the contacts), rotating locking lever, and wire cover. The wire cover has front and top locking latches. See Figure 1.

**NOTE** *These connector assemblies are typically supplied with a pre-installed wire bundle; therefore, if insertion or extraction of contacts is necessary for any reason, refer to Instruction Sheet 408-8768 for those procedures.*

The color-coded connector assembly and interface assembly are configured in a variety of different keying arrangements. These keying (polarization) features are defined by different assembly colors. Refer to the specific customer drawing for keying variations.

**3. MATING AND UNMATING PROCEDURES**

**3.1. Harness Connector Mating**



*Make sure the alignment plate is properly located in the interface assembly. This alignment plate should NOT be bottomed in the interface assembly prior to inserting the connector assembly.*

1. Make sure that the rotating locking lever of the connector assembly is in the vertical position. See Figure 2.

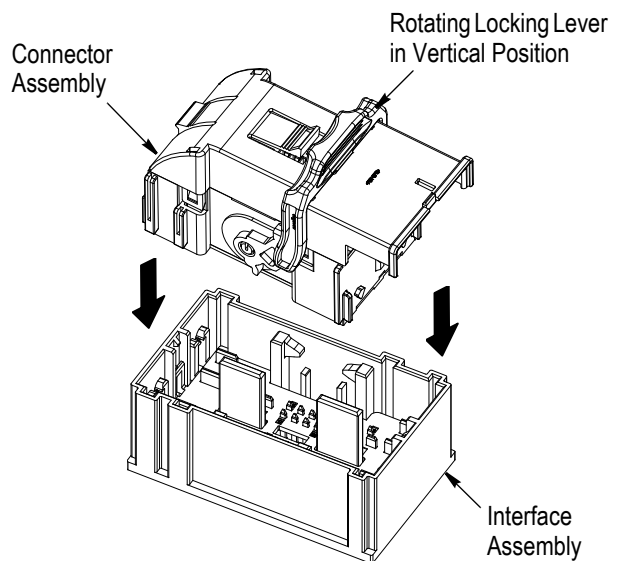


Figure 2

2. Align the keying feature of the connector assembly with the mating (mutually polarized) interface assembly of the electronic module box. See Figure 2.

3. Insert the connector assembly into the interface assembly until it bottoms. There will be tactile feed-back and an audible click. The connector assembly is now in the pre-lock position. See Figure 3.

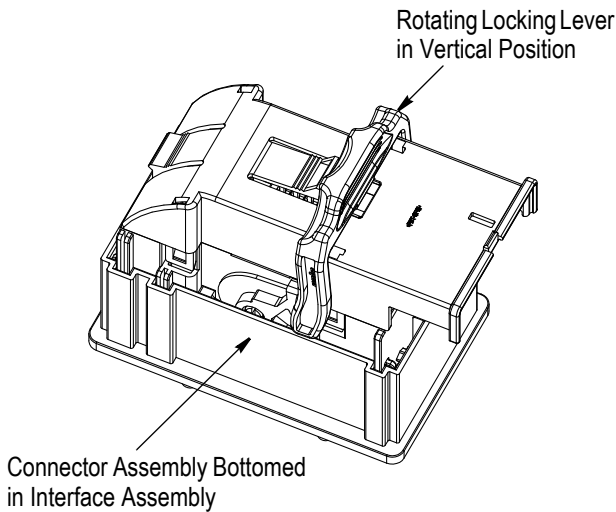


Figure 3

4. Press down on the top locking latch of the wire cover, then rotate the locking lever forward to the horizontal position so that it is behind the front locking latch. There will be tactile feed-back and an audible click. Refer to Figure 4. The connector assembly is now fully mated with the interface assembly in the electronic module box. See Figure 5.

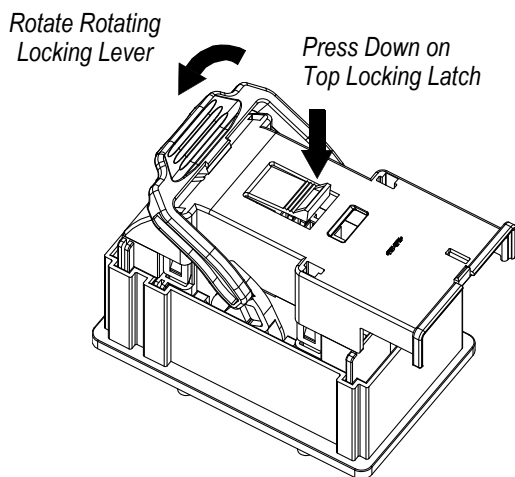


Figure 4

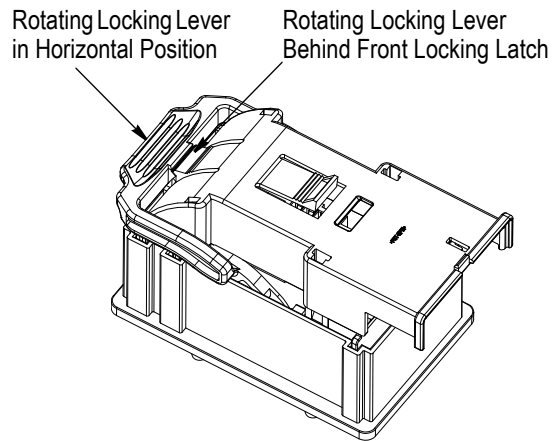


Figure 5

### 3.2. Harness Connector Unmating

Unmate the connector assembly from the interface assembly as follows:

1. Push in the front locking latch just above the rotating locked lever. Refer to Figure 5.
2. Rotate the rotating locking lever to a vertical position so that it is behind the top locking latch. The connector assembly is now in the pre-lock position. See Figure 6.
3. Pull the connector assembly straight out from the interface assembly. Refer to Figure 2.

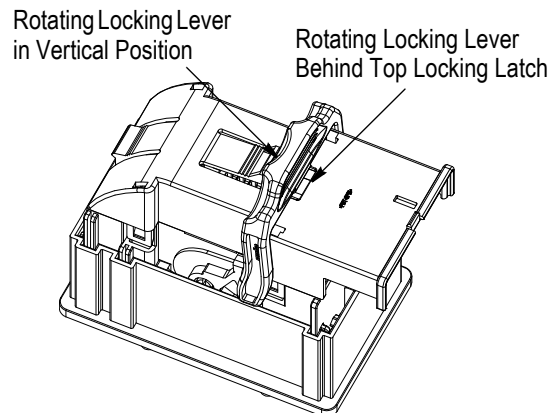


Figure 6

### 4. REVISION SUMMARY

Revisions to this instruction sheet include:

- Updated instruction sheet to corporate requirements
- Replaced part number of superceded connector assemblies
- Removed color and added part number and additional instruction for alignment plate
- Combined previous Figure 6 with 5 and 8 with 2