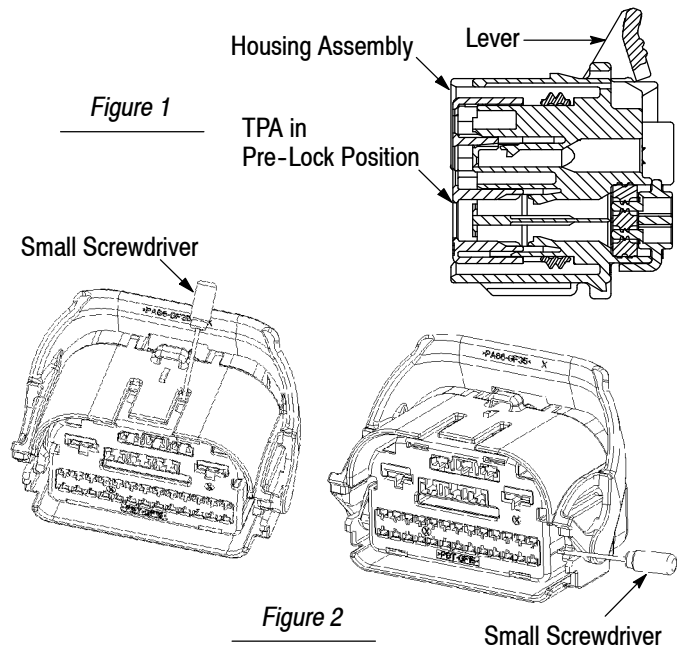


POSITIONING TPA FOR FEMALE CONNECTOR

This connector is supplied with the TPA assembled in the pre-lock position as shown in Figure 1. During shipping and handling, the TPA could be displaced to the locked position, preventing proper contact insertion. The TPA can be returned to the pre-lock position as follows:

Using a small screwdriver, push the TPA outwards using the slots provided, as shown in Figure 2, until the TPA returns to the pre-lock position as shown in Figure 1.

Using care and moderate pressure will prevent damage to the connector components. Refer to Instruction Sheet 408-8832 for a full description of the connector.



NOTE

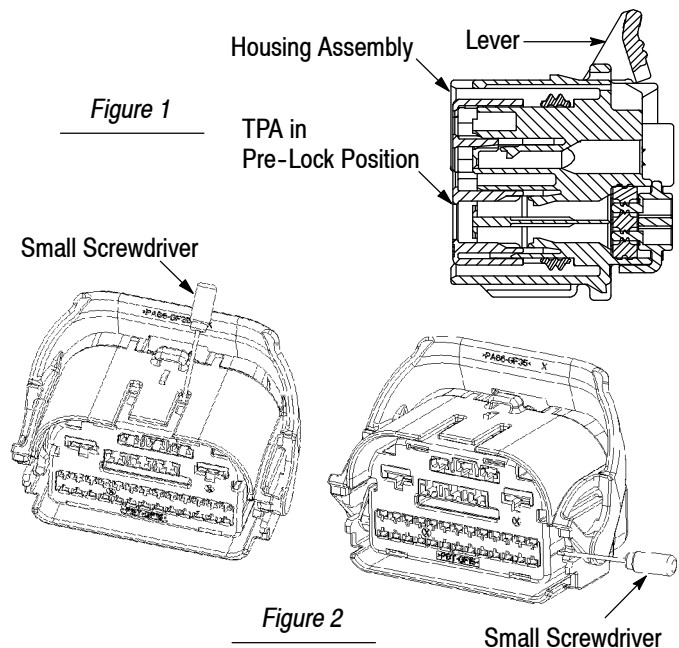
Figures are for reference only, and are not drawn to scale.

POSITIONING TPA FOR FEMALE CONNECTOR

This connector is supplied with the TPA assembled in the pre-lock position as shown in Figure 1. During shipping and handling, the TPA could be displaced to the locked position, preventing proper contact insertion. The TPA can be returned to the pre-lock position as follows:

Using a small screwdriver, push the TPA outwards using the slots provided, as shown in Figure 2, until the TPA returns to the pre-lock position as shown in Figure 1.

Using care and moderate pressure will prevent damage to the connector components. Refer to Instruction Sheet 408-8832 for a full description of the connector.



NOTE

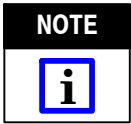
Figures are for reference only, and are not drawn to scale.

POSITIONING TPA FOR MALE CONNECTOR

This connector is supplied with the TPA and MAP each positioned in the pre-lock position as shown in Figure 1. During shipping and handling, the TPA could be displaced to the locked position, preventing proper contact insertion. The TPA can be returned to the pre-lock position as follows:

Using a small pair of pliers, pull back slightly on the red extraction tabs (see Figure 2) until the TPA returns to the pre-lock position as shown in Figure 1.

Using care and moderate pressure will prevent damage to the connector components. Refer to Instruction Sheet 408-8832 for a full description of the connector.



Figures are for reference only, and are not drawn to scale.

REVISION SUMMARY

Updated instruction sheet to corporate requirements

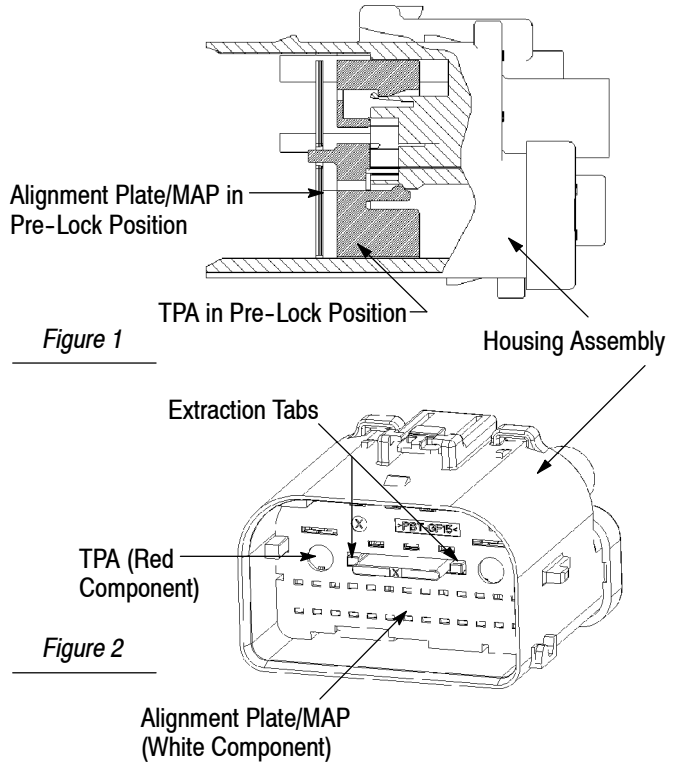


Figure 1

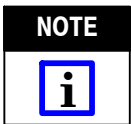
Figure 2

POSITIONING TPA FOR MALE CONNECTOR

This connector is supplied with the TPA and MAP each positioned in the pre-lock position as shown in Figure 1. During shipping and handling, the TPA could be displaced to the locked position, preventing proper contact insertion. The TPA can be returned to the pre-lock position as follows:

Using a small pair of pliers, pull back slightly on the red extraction tabs (see Figure 2) until the TPA returns to the pre-lock position as shown in Figure 1.

Using care and moderate pressure will prevent damage to the connector components. Refer to Instruction Sheet 408-8832 for a full description of the connector.



Figures are for reference only, and are not drawn to scale.

REVISION SUMMARY

Updated instruction sheet to corporate requirements

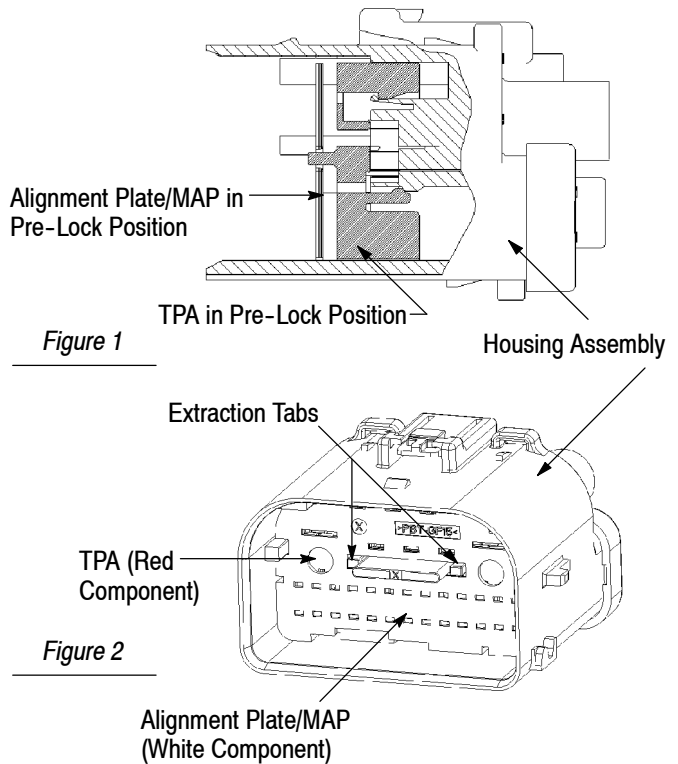


Figure 1

Figure 2