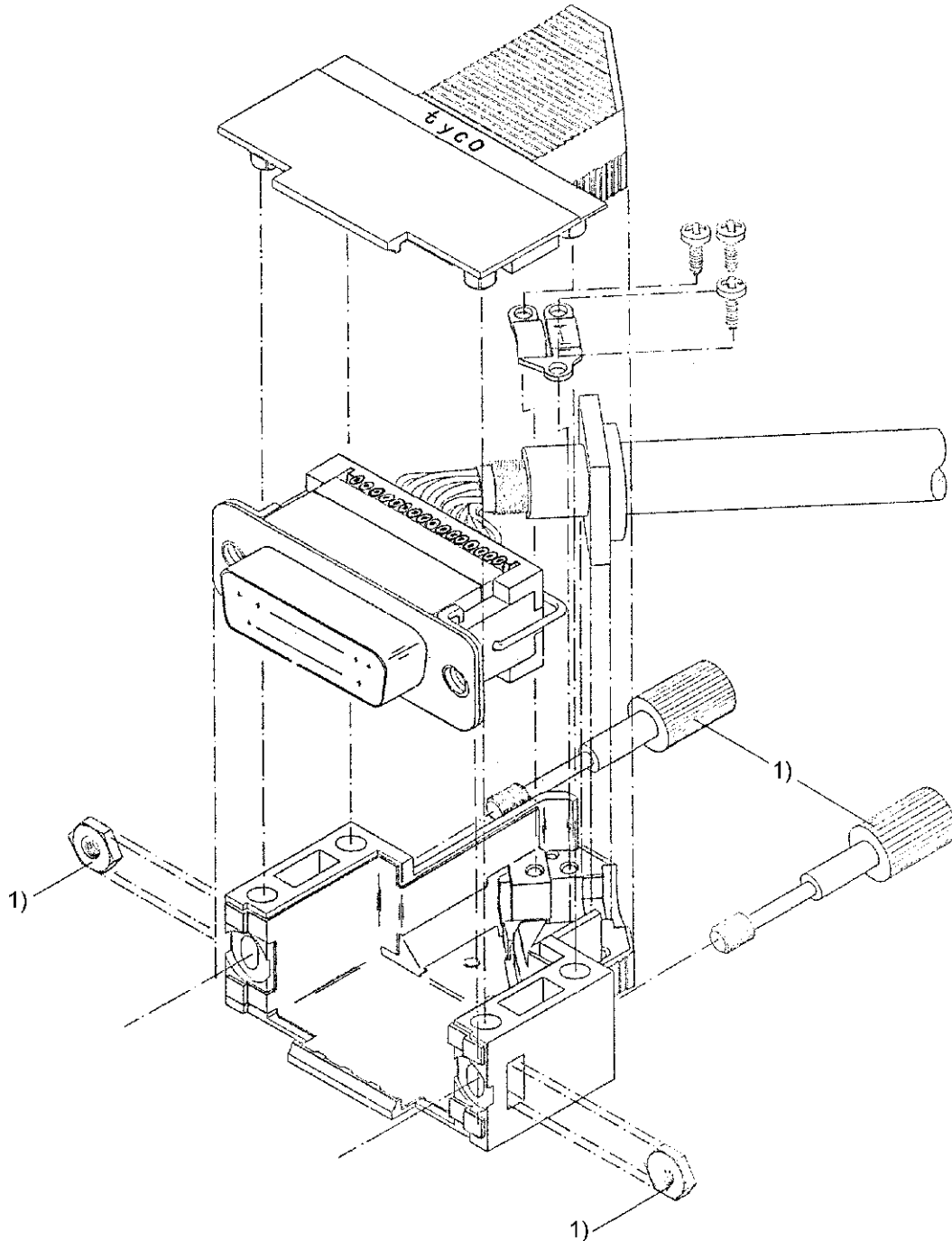


MOUNTING GUIDELINE

1. MOUNTING GUIDELINE FOR D-SUB HOUSINGS.

1.1 Overall view.



1) hexagonal nuts and knurled screws not to be used together

DR. V Yeacker

DATE 07/nov/86

APVD. Dekiere

EC-0U60-W000/7013

DATE 01/jan/00

1.2 Mounting guideline.

1. Firstly the contact tube must be pushed under the cable shield braiding. Do not forget to push the cable bushing over the cable (see drawing).
2. Now you are able to connect the cable and the connector.
3. When this is done, the connector must be placed in the lower housing section and the cable clamp must be mounted.

Make sure the cable is positioned in such a way that:

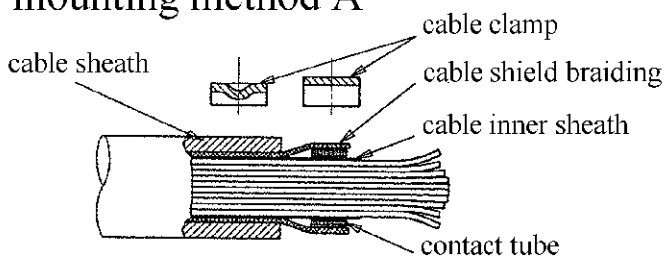
- the contact tube is on top of the shielding plate
- the contact between the cable clamp and the cable shield braiding is on top of the contact tube
- the cable strain relief of the cable clamp is pressed in the cable sheath
- the cable bushing is placed in the appropriate groove

Now you can clearly see the cut off end of the cable sheath between the cable shield braiding contact and the strain relief of the cable clamp (see drawing).

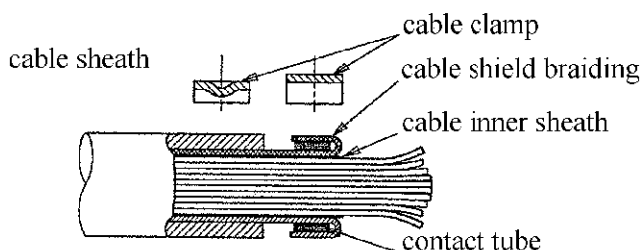
If you are using an IDC connector with a shielded housing, you must assure that the connector is positioned in such a way that the cut-off side of the cables is located across the tape on the upper housing section.

4. If you wish to use the knurled screws, you must not forget to slide them into the lower housing section.
5. Now you can position the upper housing section over the lower housing section and press them together.
6. Only when the two sections are pressed together (and in case you wish to use them), you can place the hexagonal nuts in the housings and fasten them with the accessory of your choice.

mounting method A



mounting method B (preferred)

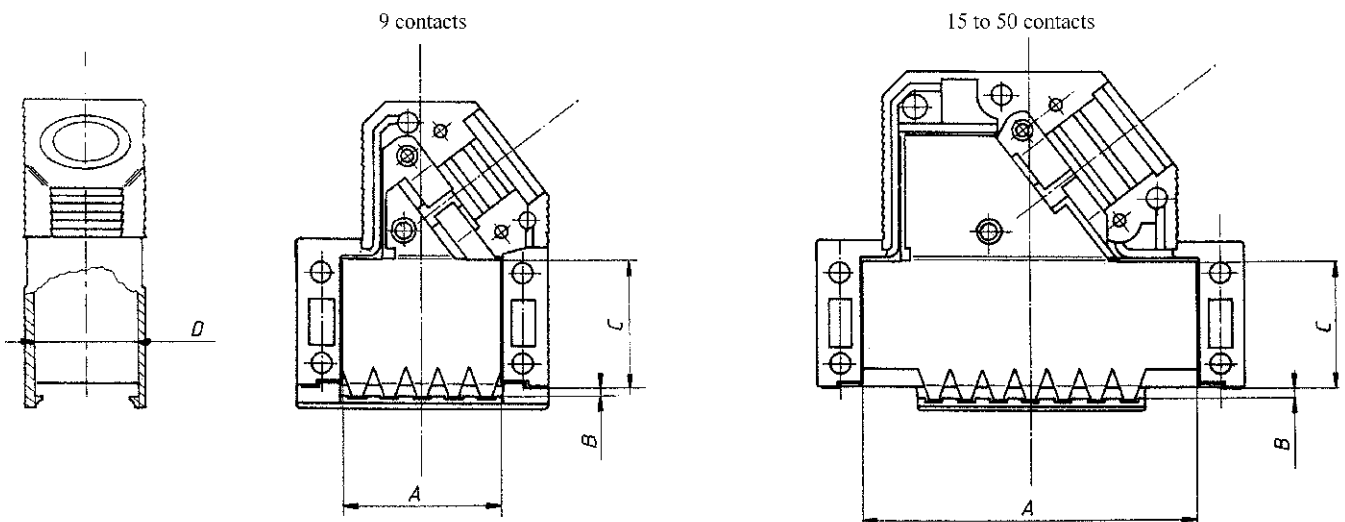


1.3 Cable clamp diameters.

The given cable diameters are only guiding dimensions and should be evaluated in accordance with the isolation material.

No. of contacts	cable diameter	cable clamp	
		Tyco part number	old part number
9	4 to 6	0-1393561-6	C42334-B383-C110
	6 to 8	0-1393561-7	C42334-B383-C111
15	5 to 8	0-1393561-6	C42334-B383-C110
	8 to 10	0-1393561-7	C42334-B383-C111
25	5 to 8,5	0-1393561-8	C42334-B383-C112
	8,5 to 11	0-1393561-9	C42334-B383-C113
37	6 to 9	0-1393561-8	C42334-B383-C112
	9 to 11	0-1393561-9	C42334-B383-C113
50	9 to 12	1-1393561-0	V42334-B383-C114
	12 to 14,5	1-1393561-1	C42334-B383-C115

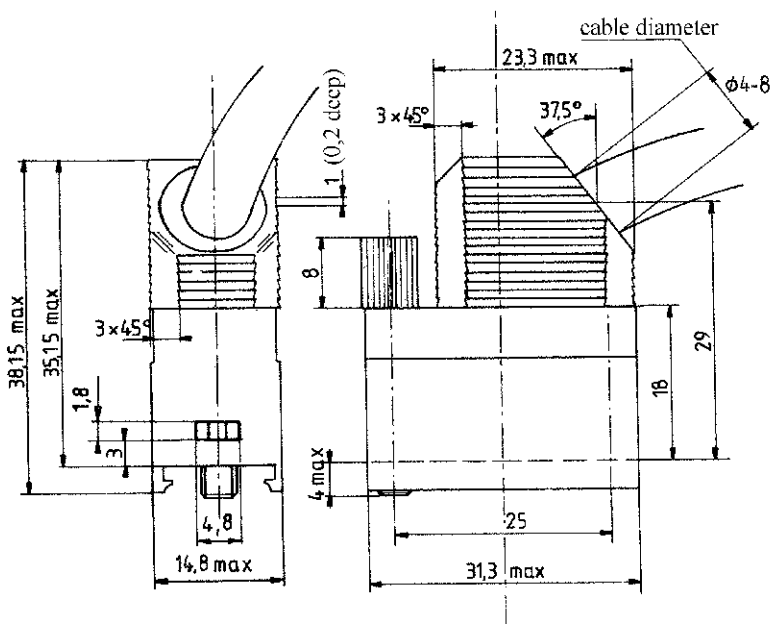
1.4 Mounting dimensions connector into housing.



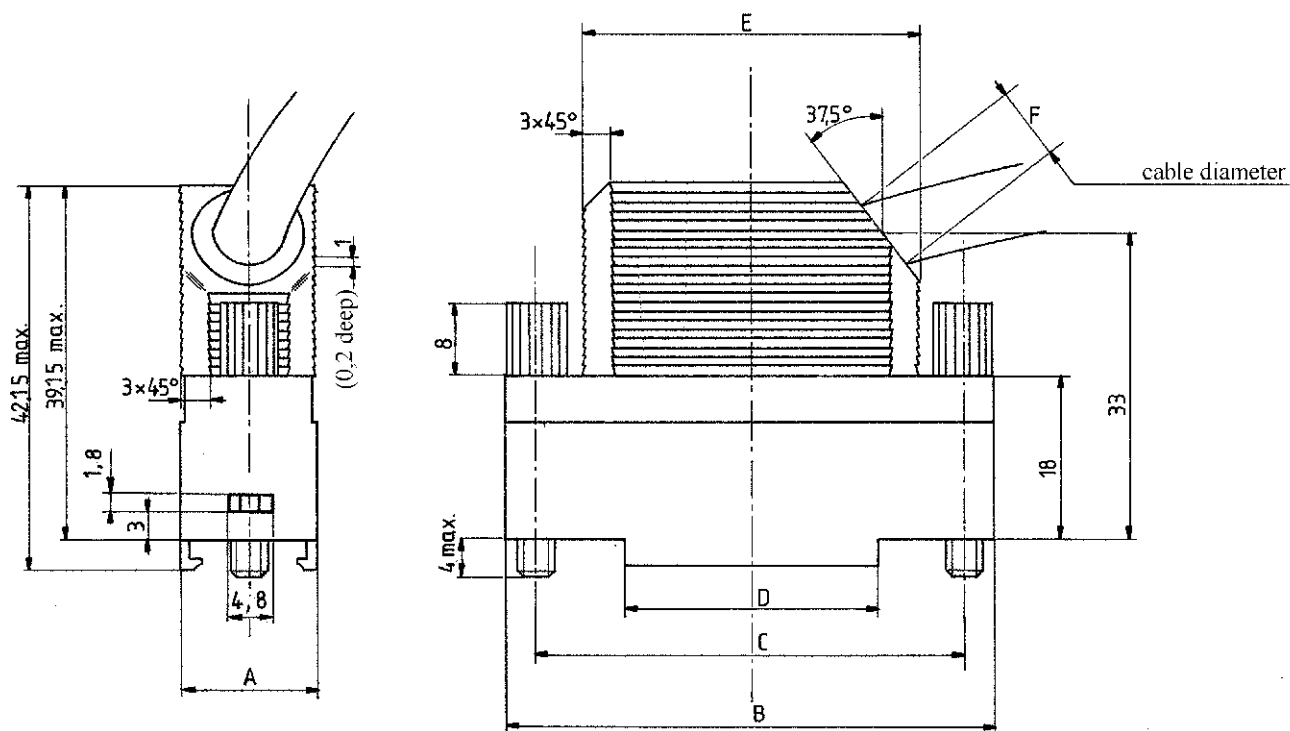
No. of contacts	dimension							
	shielded housing				Unshielded housing			
	A (min)	B (min)	C (min)	D	A (min)	B (min)	C (min)	D
9	19,48	1,2	15,1	12,2	20,13	1,3	15,85	12,6
15	27,73	1,2	15,1	12,6	28,40	1,3	15,85	13,0
25	41,53	1,2	15,1	12,6	42,20	1,3	15,85	13,0
37	57,98	1,2	15,1	12,6	58,65	1,3	15,85	13,0
50	55,54	1,2	15,1	15,6	56,18	1,3	15,85	16,0

1.5 Mounting dimensions connector housing.

1.5.1 Housing 9 contacts.



1.5.2 Housing 15 to 50 contacts.



No. of contacts	dim A (max)	dim B (max)	dim C	dim D	dim E	dim F
15	15	39,62	33,3	16,5	23,3	Ø 5 - Ø 9
25	15	53,52	47,0	30,4	37,0	Ø 5 - Ø 11
37	15	69,80	63,5	46,7	53,5	Ø 5 - Ø 11
50	19	67,41	61,1	44,3	51,0	Ø 5 - Ø 14,5