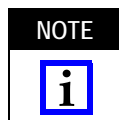


PRODUCT	MATING PACKAGE
ADM	TO-18, TO-46, TO-52 Active Device
	Single-Position Plug Assembly 228087-1
Single-Position Bulkhead Receptacle	Single-Position Plug Assembly 228087-1

Figure 1

## 1. INTRODUCTION

This instruction sheet covers assembly and installation of OPTIMATE DNP fiber optic ADM 228043-1, Receptacle 228042-1, and Active Device Ring 501084-1. Refer to Figure 1.



*Dimensions in this instruction sheet are in metric units [with U.S. customary units in brackets]. Figures are not drawn to scale.*

Reasons for reissue of this instruction sheet are provided in Section 5, REVISION SUMMARY.

## 2. DESCRIPTION

The ADM connects single fibers to various active devices (sources and detectors). The ADM houses the active devices and mates with the single-position plug assembly listed in Figure 1. The active device ring fits onto the active device and is used to center it in the bore of the ADM.

The receptacle is used with a single-position plug assembly for fiber-to-fiber connections and joining two single-position plugs. Refer to instruction sheet 408-2974 for information on the single-position plug assembly.

## 3. ASSEMBLY AND INSTALLATION

The following methods are suggested for installing the ADM and receptacle. The procedure used depends on specific manufacturing and assembly requirements.

### 3.1. ADM

1. Prepare the pc board using the recommended footprint dimensions given Figure 2. Maximum panel thickness is 1.575 mm [.062 in.].
2. Slip the active device ring around the active device, and insert it into the rear of the ADM. Make sure that the tab on the device is in the slot of the ADM. See Figure 3.
3. Insert the active device leads into the pc board.
4. Secure the ADM to the pc board using two No. 2-56 screws and nuts (customer supplied). The ADM is typically mounted horizontally (as shown in Figure 3) or vertically.

### ADM PC Board Layout

Note: Not to Scale

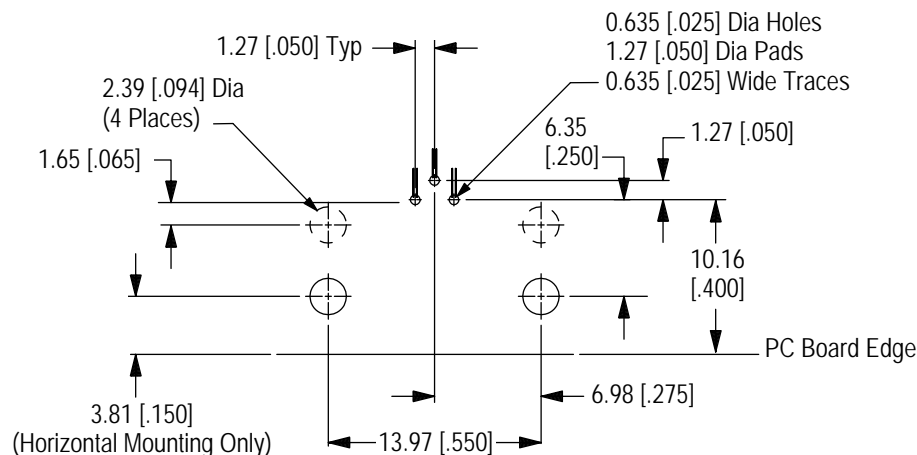


Figure 2

5. Solder the active device leads to the pc board.
6. Mate the plug assembly to the ADM.

*Typical ADM Horizontal (Shown) PC Board Installation*

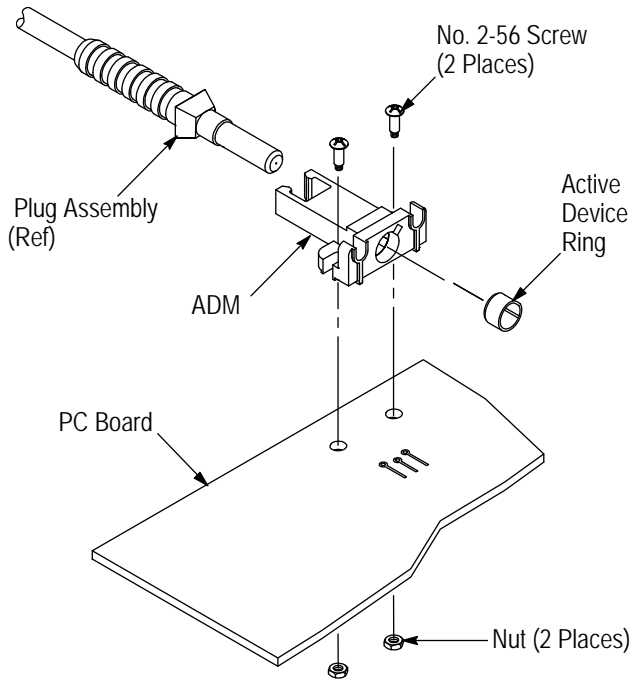


Figure 3

### 3.2. Receptacle

1. Cut the panel using the recommended cutout dimensions given in Figure 4.
2. Install the receptacle in the panel cutout, and secure it using the two No. 2-56 screws as shown in Figure 4.
3. Connect a plug assembly to both ends of the receptacle. Refer to Figure 4.

### 4. REPLACEMENT AND REPAIR

DO NOT use defective or damaged product.

Order kits through your Representative, or call 1-800-526-5142, or send a facsimile of your purchase order to 717-986-7605, or write to:

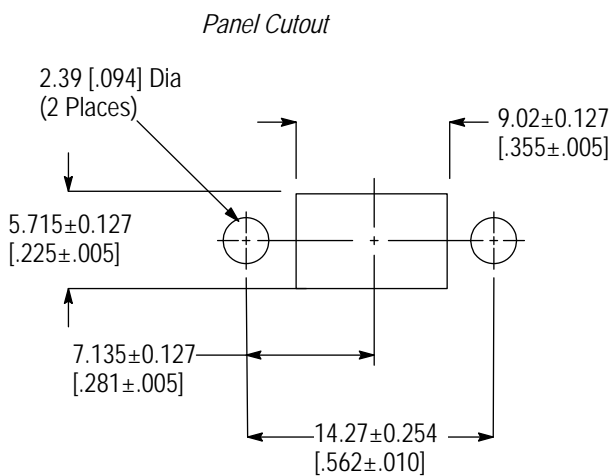
CUSTOMER SERVICE (038-035)  
 TYCO ELECTRONICS CORPORATION  
 PO BOX 3608  
 HARRISBURG PA 17105-3608

### 5. REVISION SUMMARY

Revisions to this instruction sheet include:

- Changed company name and logo
- Removed dual-position bulkhead receptacle and replaced superceded ADMs
- Removed last active device from first row of mating package in Figure 1
- Removed all detailed information for active devices
- Modified Paragraphs 3.1 and 3.2, and Figures 2 and 3

### Single-Position Bulkhead Receptacle



Note: Note to Scale

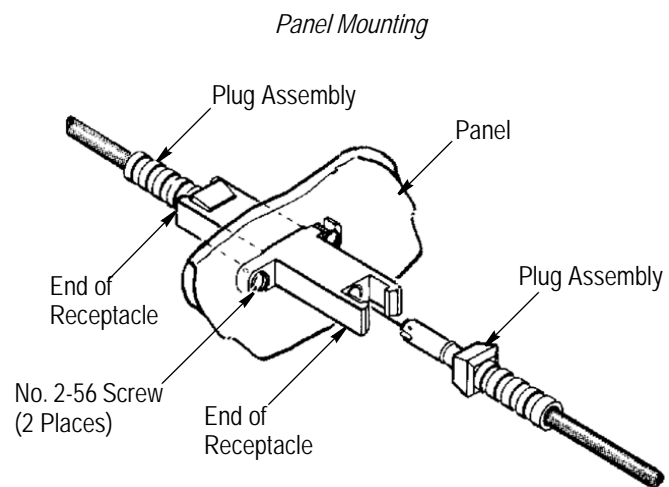


Figure 4