

AMPAMP INCORPORATED
HARRISBURG, PA 17105CUSTOMER HOTLINE
1 800 722-1111AMP* EXTRACTION TOOL 58095-2
FOR AMP-HDI* HYBRID CONNECTOR
POWER AND COAXIAL CONTACTS

REDUCED FOR PACKAGING

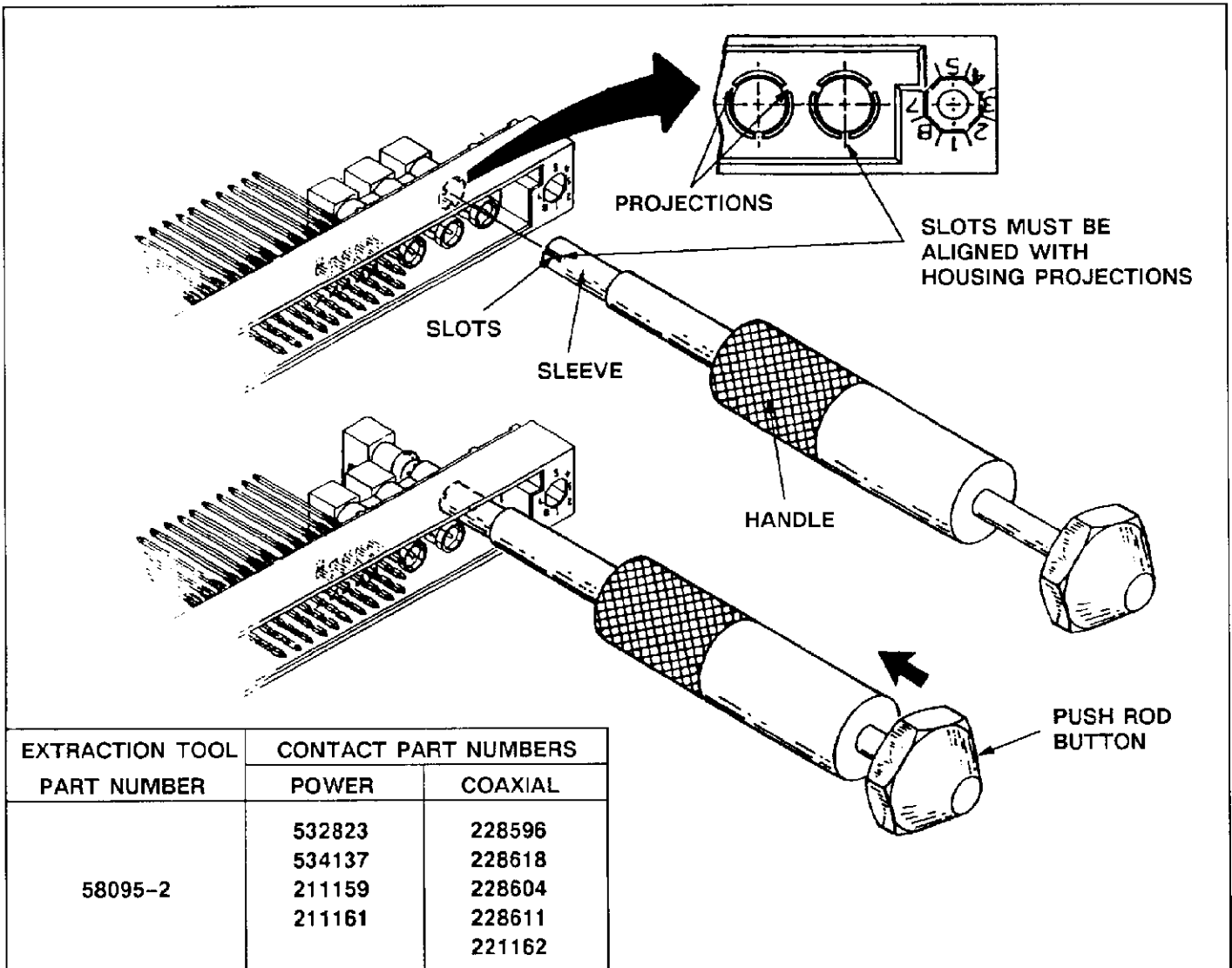
IS 9310RELEASED
8-15-88

Fig. 1

1. INTRODUCTION

AMP Extraction Tool 58095-2 (Figure 1) is used to remove coaxial and power contacts from AMP-HDI hybrid connector housings. The contacts are listed by part number in Figure 1. Read these instructions thoroughly before attempting to remove any contact from the connector housing.

NOTE

All dimensions on this sheet are in inches.

2. DESCRIPTION

The tool consists of a sleeve, a handle, a slotted tip, and a button-topped push rod. The tip of the sleeve contains slots which fit over the projections of the contact cavity. In use, the tool is oriented so that the slots are aligned with the projections of the cavity. The sleeve is inserted into the cavity and fits around the contact to be removed. The sleeve depresses the contact's locking lances. The push rod is then used to push the contacts out of the rear of the connector housing.

3. EXTRACTION PROCEDURE (Figure 1)

The steps which follow are recommended to extract a power or coaxial contact from the AMP-HDI hybrid connector housing. Proceed as follows.

1. Align the slots of the sleeve with the projections of the connector housing cavity and insert the sleeve straight into the cavity of the contact to be removed. Push the sleeve over the contact until the sleeve bottoms.
2. Keeping the tool bottomed, depress the push rod. The contact will back out the rear of the housing.
3. Remove the tool from the cavity.

4. TOOL MAINTENANCE

To ensure proper operation, the tool should meet dimensions in Figure 2. We recommend you inspect the tool on its arrival and at regularly scheduled intervals. The tool is not repairable and should be replaced when worn or damaged.

Store the tool in a clean, dry place; keep it clean with a soft, lint-free cloth.

Additional tools can be purchased from:

AMP Incorporated
P.O. Box 3608
Harrisburg, PA 17105-3608

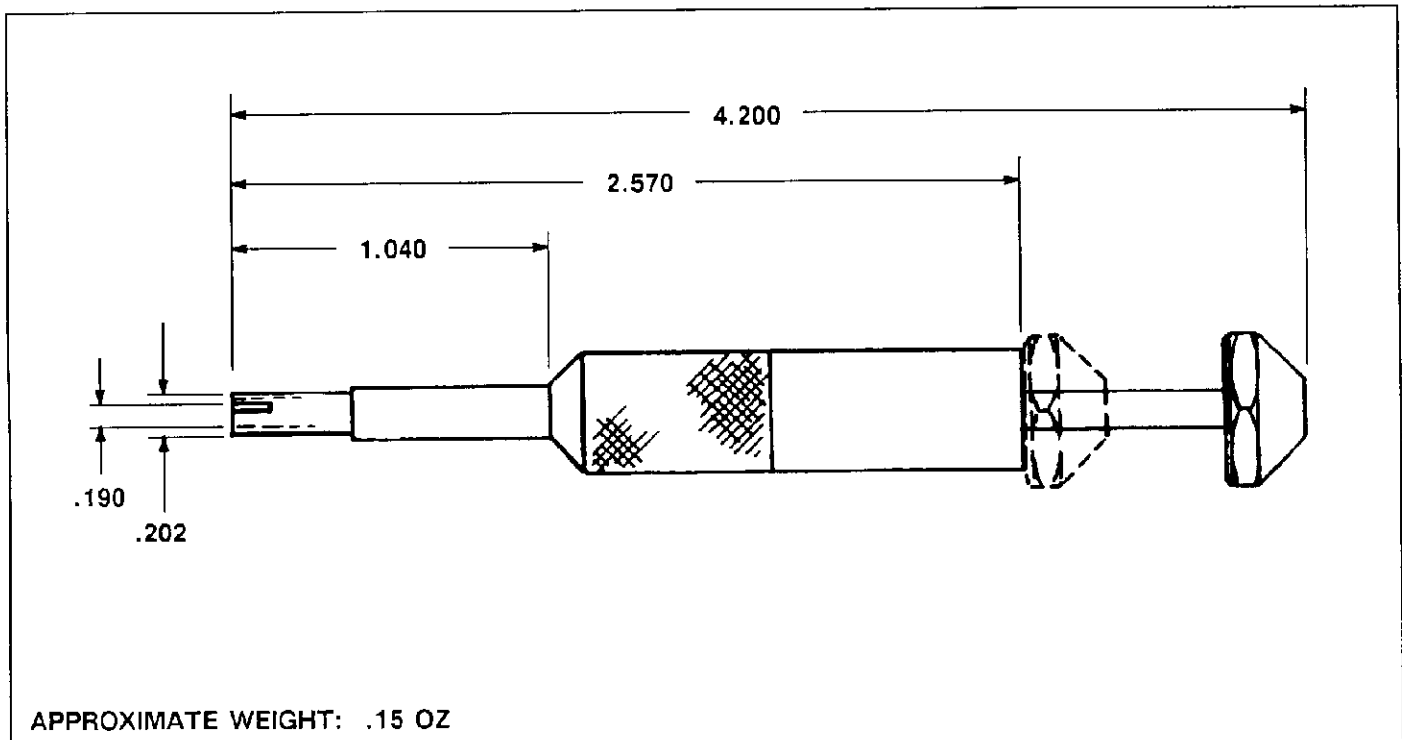


Fig. 2