

### PROPER USE GUIDELINES

Cumulative Trauma Disorders can result from the prolonged use of manually powered hand tools. AMP hand tools are intended for occasional use and low volume applications. AMP offers a wide selection of powered application equipment for extended-use, production operations.

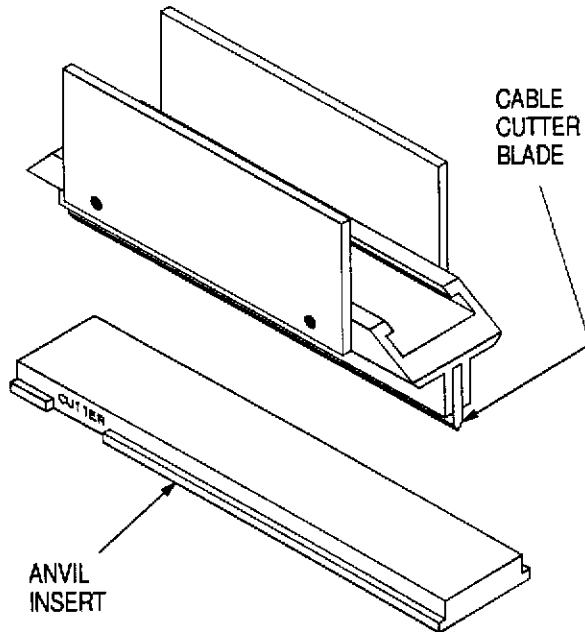


Figure 1

### 1. INTRODUCTION

This instruction sheet covers the description, cable requirements, and cable cutting procedure for the AMP-LATCH Cable Cutter Kit 543263-1 which is assembled onto Hand Tool Subassembly 768942-1. The hand tool is provided with AMP-LATCH Hand Tool Kit 768340-1. The cable cutter is designed to cut ribbon cable for the termination of AMP-LATCH connectors.

Read these instructions carefully before using the cable cutter kit. Refer to AMP Instruction Sheet 408-9828, packaged with the hand tool kit, for complete information concerning the termination of AMP-LATCH connectors.

#### NOTE

Dimensions are in metric units [followed by U.S. customary units in brackets].

Reasons for reissue are provided in Section 6, REVISION SUMMARY.

### 2. DESCRIPTION (Figure 1)

The AMP-LATCH Cable Cutter Kit consists of a cable cutter blade and two anvil inserts (one is a spare for

the replacement of a worn insert). The cable cutter blade cuts the ribbon cable squarely with the conductors. The anvil insert supports the ribbon cable during the cutting procedure. Each component is marked with the word "CUTTER."

#### NOTE

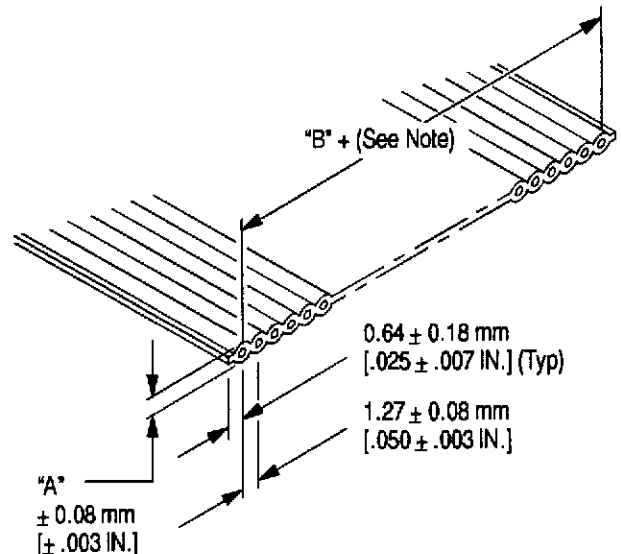
Components are *not* sold separately.

### 3. CABLE REQUIREMENTS

The cable cutter kit will cut ribbon cable with 26 AWG solid or stranded conductors, 28 AWG solid or stranded conductors, or 30 AWG solid conductors. Refer to Figure 2 for the recommended cable dimensions.

#### NOTE

The cable end must be cut 90° to the edge of the cable; otherwise, an improper termination will result.



NOTE: Accumulative Tolerance For Cable Conductors 1 Through 34 is + 0.25 mm [.010 IN.] and Through 60 is + 0.38 mm [.015 IN.].

CONDUCTOR		DIMENSION	
SIZE (AWG)	TYPE	A	B
26	Stranded or Solid	0.889 mm [.035 IN.]	1.27 mm [.050 IN.] X (Total No. of Conductors Minus One)
28	Stranded or Solid		
30	Solid		

Figure 2

#### 4. CABLE CUTTING PROCEDURE (Figure 3)

##### NOTE

Mount the hand tool onto a suitable work surface, whenever possible, before cutting the ribbon cable. Refer to the bench mount clamp procedure in 408-9828.

1. Position the cable cutter blade onto the base of the adapter plate of the upper tool mount on the hand tool subassembly.
2. Slide the anvil insert into the slot of the fluted plate.
3. Adjust the cable guides on the fluted plate according to the cable size.
4. Place the ribbon cable between the cable guides, making sure that the cable conductors are seated in the flutes of the plate.
5. Close the tool handles FULLY to cut the cable.

##### NOTE

The handle ratchet ensures that the tool handles will not release until the cable is completely cut.

#### 5. CABLE CUTTER INSPECTION

AMP-LATCH Cable Cutter Kit 543263-1 has been inspected and should be verified with the information provided in Figure 4. AMP recommends that the kit be inspected immediately upon arrival at your facility (and at regularly-scheduled intervals) to ensure that the kit has not been damaged during shipping.

Order additional cable cutter kits through your AMP representative, or call 1-800-526-5142, or send a facsimile of your purchase order to 1-717-986-7605, or write to:

CUSTOMER SERVICE (38-35)  
AMP INCORPORATED  
P.O. BOX 3608  
HARRISBURG, PA 17105-3608

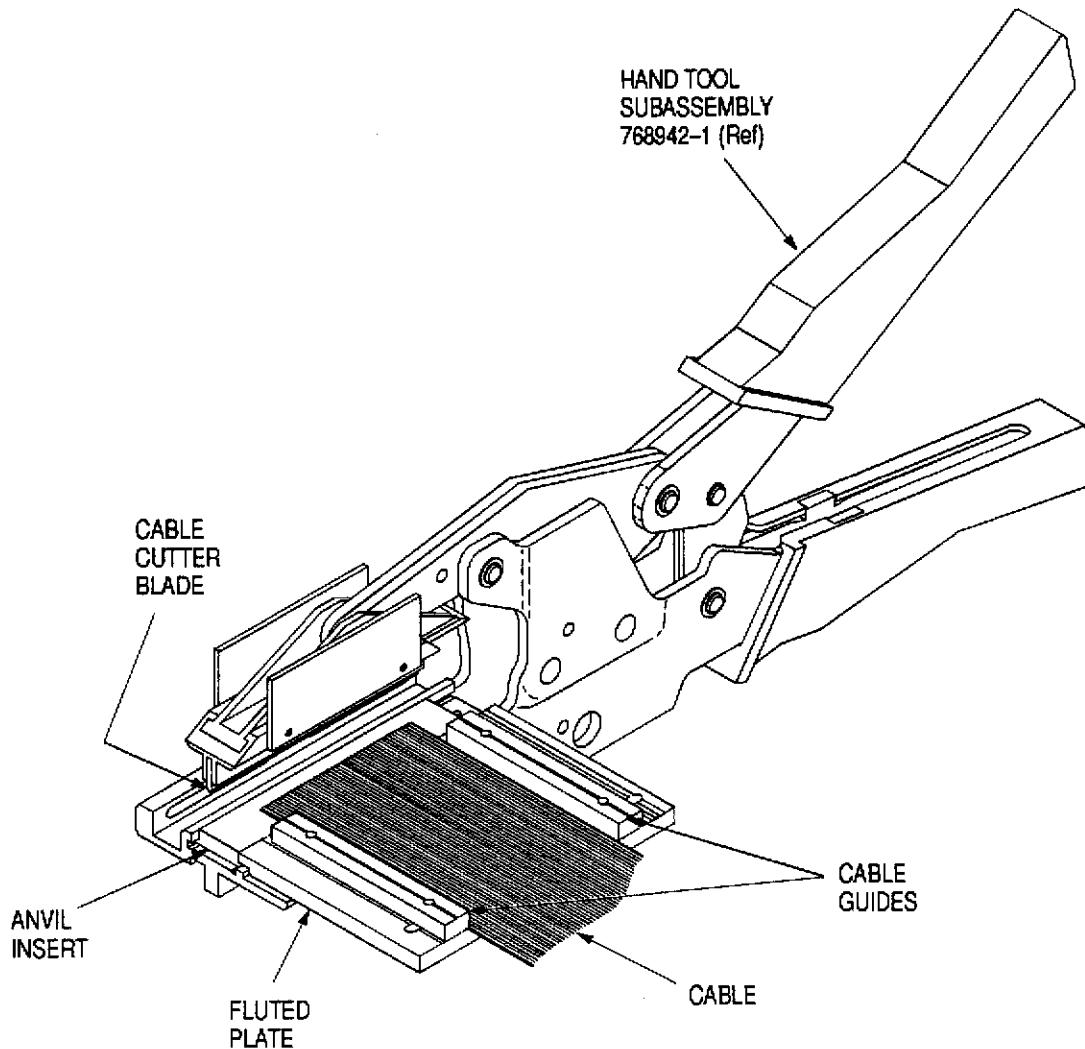


Figure 3

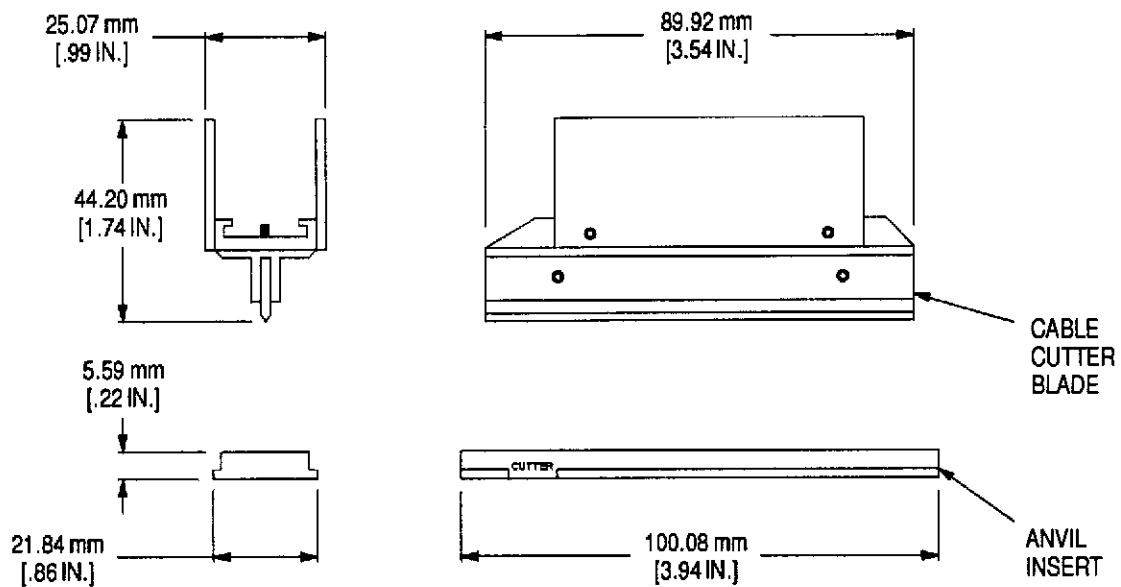


Figure 4

## 6. REVISION SUMMARY

Revisions to this document include:

Per EC 0150-3309-94:

- Updated Figures 1, 3, and 4
- Removed 'AMP' from Section 2
- Removed 'locator' from Section 2
- Replaced 'locator' with 'cable guides' in Section 4, Steps 3 and 4

- Replaced Hand Tool 91271-1 with Hand Tool Subassembly 768942-1 and AMP-LATCH Hand Tool Kit 768340-1 in Section 1
- Changed instruction sheet reference in Sections 1 and 4
- Corrected dimensions in Figure 2

Per EC 0990-0252-93:

- Updated format
- Added metric units
- Modified information in Section 5