

1. INTRODUCTION

This instruction sheet covers the AMP* Extraction Tools listed in Figure 1. These tools are designed to remove chip carriers from the AMP surface mount low insertion force sockets and solder tail sockets listed in Figure 1.

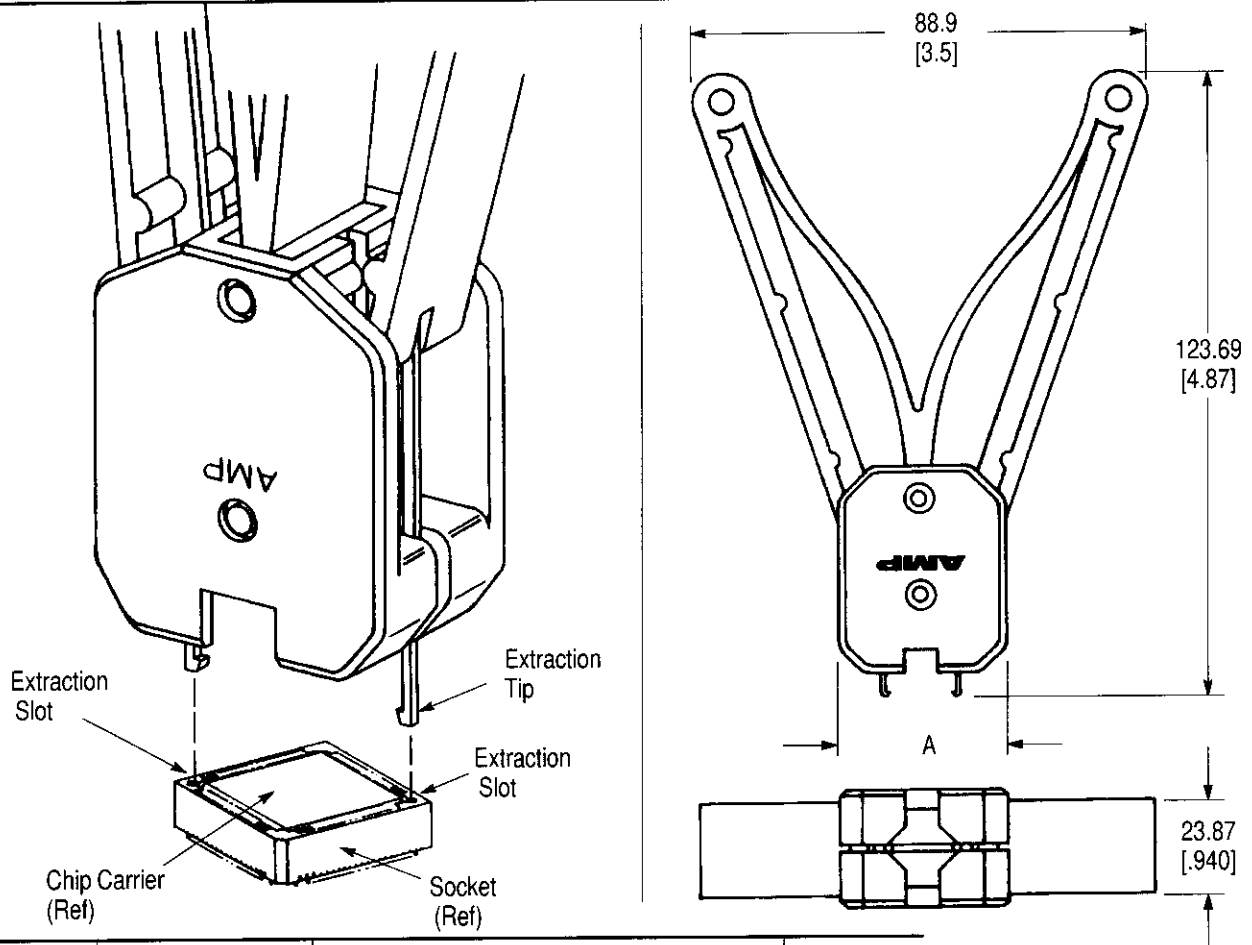
NOTE

Dimensions on this sheet are in metric units [with U.S. customary equivalents in brackets].

Reasons for reissue of this sheet are provided in Section 5, REVISION SUMMARY.

2. DESCRIPTION

Each tool features two extraction tips that are inserted into the extraction slots of the socket. Squeezing the tool handles lifts the PLCC from the socket.



NO. OF POSNS	SOLDER TAIL SOCKET PART NO. WITHOUT POST	LOW INSERTION FORCE SOCKET PART NO.			TOOL PART NUMBER
		WITH POST	WITHOUT POST	TAPE	
20	—	822270-1	822269-1	3-822269-1	822011-1
28	822437-1	822272-1	822271-1	3-822271-1	822045-1
32	822437-2	822274-1	822273-1	3-822273-1	821980-1
44	822437-3	822276-1	822275-1	3-822275-1	821981-1
52	822437-4	822278-1	822277-1	3-822277-1	822049-1
68	822437-5	822280-1	822279-1	3-822279-1	822026-1
84	822437-6	822282-1	822281-1	3-822281-1	822268-1

SOCKET SIZE (POSNS)	TOOL DIM. A	TOOL WEIGHT (Approx)
20 thru 44	33.02 [1.30]	113.39 g [4 oz]
52 and 68	44.45 [1.75]	
84	55.62 [2.19]	

Figure 1

3. EXTRACTION PROCEDURE

1. Refer to the table in Figure 1 and obtain an extraction tool that is compatible with the number of positions in the socket.
2. Insert the extraction tips into the extraction slots of the socket until the tool bottoms on the socket.
3. Squeeze the tool handles until the PLCC backs out of the socket.

CAUTION

Do NOT pull upward on the tool to loosen the PLCC – slowly squeeze the tool handles while maintaining a slight downward force toward the socket.

4. Remove the PLCC and tool.

4. TOOL INSPECTION

The extraction tools listed on this instruction sheet have been inspected and should be verified with the

information provided in Figure 1. It is recommended that the tool be inspected immediately upon its arrival at your facility (and at regularly scheduled intervals) to ensure that the tool has not been damaged during handling.

For additional information concerning PLCC extraction tools, or to purchase additional tools, contact your local AMP representative or:

CUSTOMER SERVICE (38-35)
AMP INCORPORATED
P.O. BOX 3608
HARRISBURG, PA 17105-3608

5. REVISION SUMMARY

Revisions to this document include:

Per Ec 0030-0142-96:

- Removed all *standard* socket part numbers
- Added new soldertail socket part numbers