

Fig. 1

1. INTRODUCTION

AMP Extraction Tool 2-305183-0 is designed to remove 2.8mm Blind Mate Plug Contacts from AMPLIMITE* Subminiature D Connectors. The plug contact is used as a coaxial interconnect between plug-in modules and motherboards. Read this material carefully before using the tool.

For information concerning the selection and assembly of Blind Mate contacts, refer to AMP Instruction Sheet (IS) 9585.

NOTE

All dimensions on this instruction sheet are in inches.

2. DESCRIPTION

The extraction tool features a sleeve, a ram (not shown), a handle, and a push rod. The sleeve releases the retention clip on the contact and the push rod ejects the contact from the power port of the connector housing. See Figure 1.

3. EXTRACTION PROCEDURE

1. Align the sleeve of the tool with the connector as shown in Figure 2.

2. Place the tool sleeve over the plug contact; then push the tool forward until it is seated inside the connector cavity.

3. Maintain pressure against the tool handle and depress the push rod button to eject the connector from the connector housing.

4. TOOL INSPECTION/REPLACEMENT

AMP Extraction Tool 2-305183-0 is inspected before shipment. AMP recommends that the tool be inspected immediately upon its arrival to ensure that the tool has not been damaged during shipment, and that the tool conforms to the dimensions provided in Figure 3.

To ensure that the tool remains in functional condition, it should be stored in a clean, dry area and kept clean with a soft, lint-free cloth.

When necessary, replacement tools may be purchased by contacting:

AMP Incorporated
P.O. Box 3608
Harrisburg, PA 17105-3608

or a wholly owned subsidiary of AMP Incorporated.

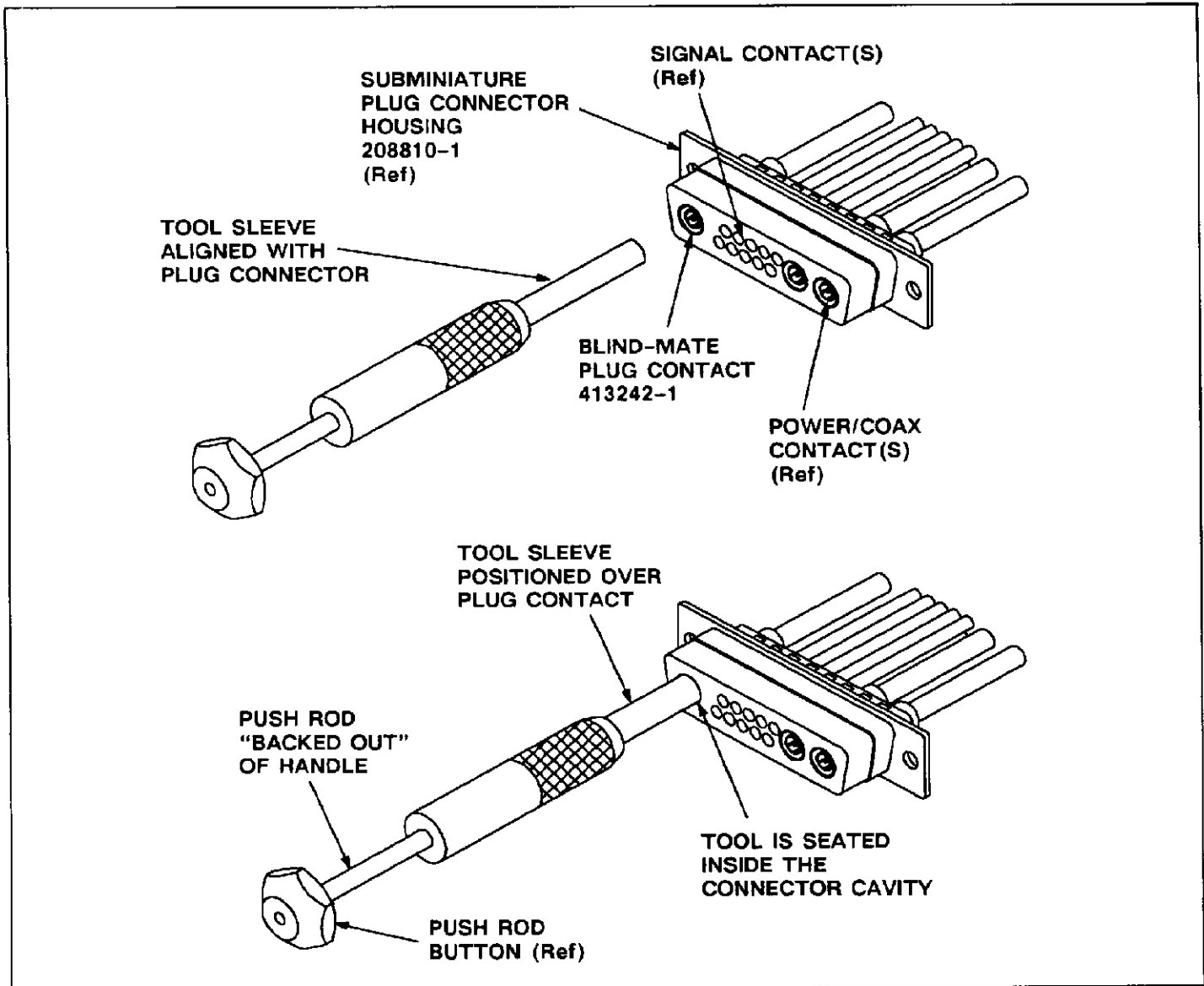


Fig. 2

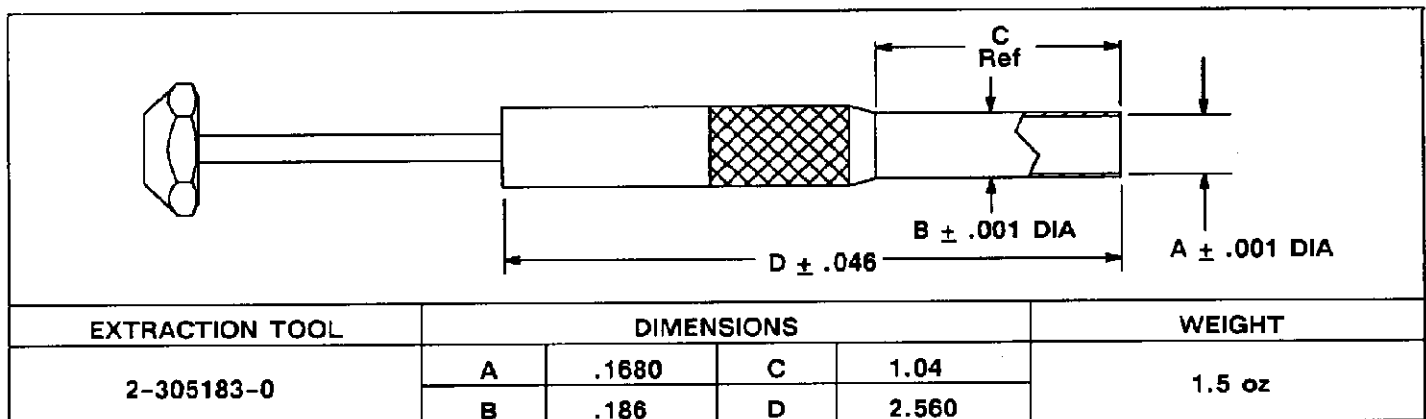


Fig. 3