



Aircraft-Marine
Products GB Ltd.,
Terminal House,
Stanmore, Middx.

A-MP* EXTRACTION TOOL FOR
A-MP TYPE I, II, III & III PLUS
SOCKET & PIN CONTACTS

I.S. 1021 GB	
RELEASED	23.3.65
REVISED	

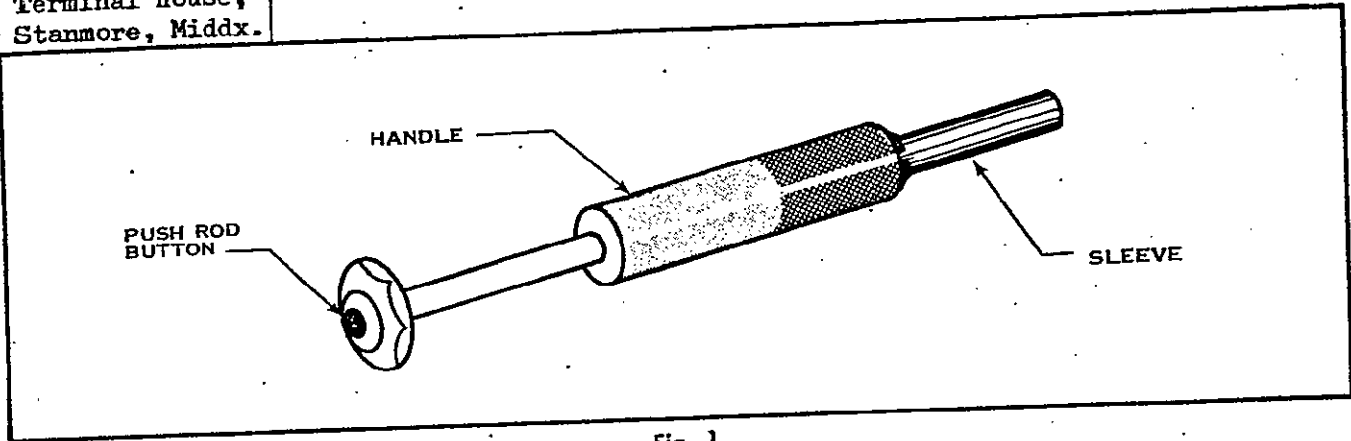


Fig. 1

*Trademark of AMP Incorporated

1. The Tools (see Figure 1) covered by this instruction sheet are used to extract the Contacts listed in Figure 2.

2. EXTRACTION PROCEDURE

- (a) Place end of Sleeve over end of Contact. See Figure 3.
- (b) Push Sleeve into Cavity as far as it will go. Note that Push Rod Button will "back out" of Handle when end of Contact is engaged. See Figure 4.
- (c) Rotate Handle several times.
- (d) Keep Tool firmly bottomed in Cavity, and depress Push Rod Button.
- (e) As Button is depressed, Contact will be ejected.

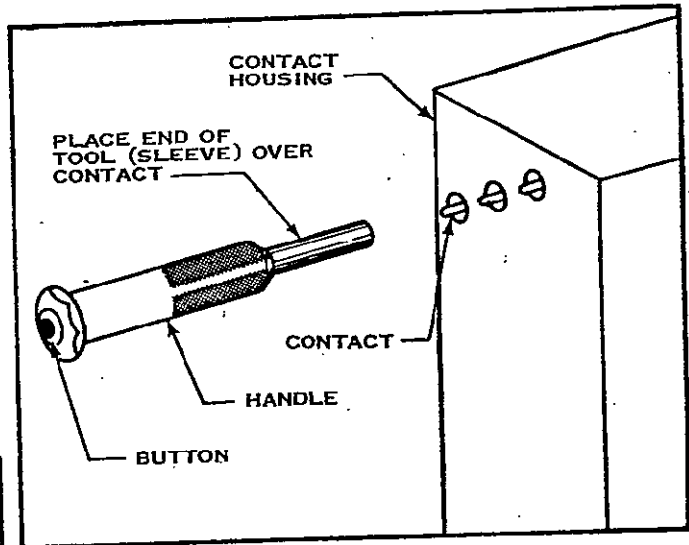


Fig. 3

TYPE CONTACT	CONTACT PART NO.		EXTRACTION TOOL NO.
	SOCKET	PIN	
TYPE I	43341	43340	305183-2
	43342	43334	
	43605	43606	
	44028	44013	
	43439	43441	305183-4
	43611	43612	305183-6
			1-305183-3
	200415-1	200416-1	305183-7
	200440-1	200441-1	305183-3
	200443-1	200442-1	
201544-1	201543-1	305183-7	
202417	202422	305183-8 †	
202418	202421		
TYPE II	ALL TYPE II CONTACTS		150807
TYPE III	ALL TYPE III CONTACTS		150807
TYPE III+	ALL TYPE III+ CONTACTS		150807

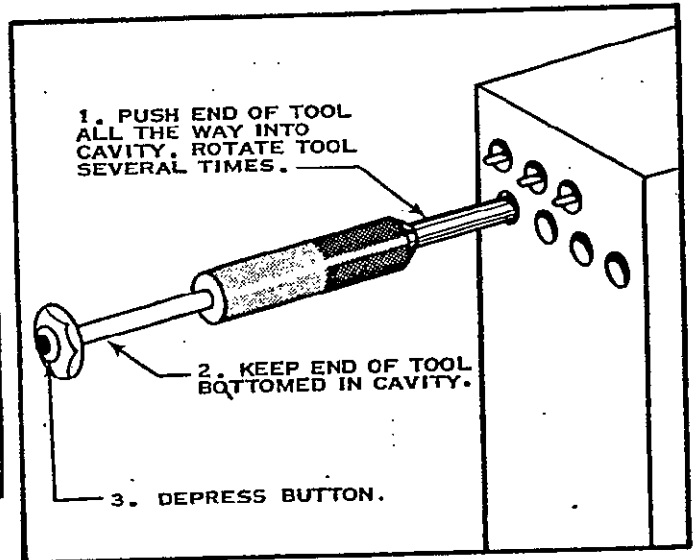


Fig. 4

† WHEN USING THIS TOOL WITH AMP MINIATURE COAXICON® CONTACTS, REFER TO AMP INSTRUCTION SHEET NO. 1770 FOR THE PROPER PROCEDURE.