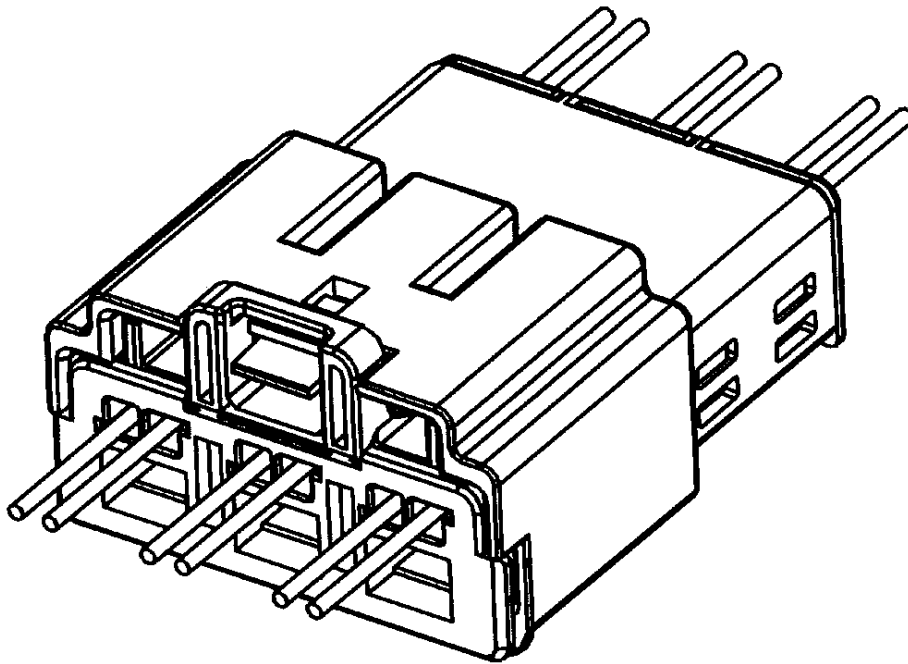


# CAHIER DE PRECONISATION APPLICATION SPECIFICATION

## CONNECTEUR 6 VOIES „ELO“ 6 WAY INLINE CONNECTOR „ELO“



THE REPRODUCTION, TRANSMISSION OR USE OF THIS DOCUMENT OR ITS CONTENTS IS NOT PERMITTED WITHOUT EXPRESSED WRITTEN AUTHORITY. OFFENDERS WILL BE LIABLE FOR ALL DAMAGES. ALL RIGHTS, INCLUDING RIGHTS CREATED BY REGISTERED PATENT(S) GRANTED FOR A UTILITY MODEL OR DESIGN, ARE RESERVED.

				Date	26/11/99	Title APPLICATION SPECIFICATION CAHIER DE PRECONISATION
				Name	David Verhulst	
				Dep.	ECCS A PD	
52		26/01/00	DV	S.E.C.M.		V23540-A1200-X5-*-5872
51		26/11/99	DV			
REV.	CHANGE ORDER	DATE	APP.	Page 1 of 11		

# APPLICATION SPECIFICATION

LANGUAGE  
FRENCH/ENGLISH

SOMMAIRE / SUMMARY  
PAGE / PAGE

1. CONSTITUANTS DU CONNECTEUR 6 VOIES	3	<i>1. COMPONENTS FOR 6 WAY CONNECTOR</i>
2. MISE EN OEUVRE DU CONNECTEUR	4	<i>2. CONNECTOR ASSEMBLY PROCESS</i>
2.1. RECOMMANDATIONS POUR LES CÂBLERIES	4	<i>2.1. RECOMMENDATIONS FOR HARNESS MAKERS PLANTS</i>
2.2. MONTAGE DES CONTACTS DANS LES BOITIERS	5	<i>2.2. MOUNTING OF THE TERMINALS INTO HOUSINGS</i>
2.3. FERMETURE DU DOUBLE VERROUILLAGE	6	<i>2.3. LOCKING OF THE SECONDARY LOCKING</i>
2.4. ACCOUPLEMENT DU CONNECTEUR	7	<i>2.4. CONNECTION OF THE CONNECTOR</i>
3. TESTS ÉLECTRIQUES	8	<i>3. ELECTRICAL TESTS</i>
4. RETOUCHE	9	<i>4. REWORK OPERATION</i>
4.1. OUVERTURE DU DOUBLE VERROUILLAGE	9	<i>4.1. OPENING OF SECONDARY LOCKING</i>
4.2. DÉMONTAGE DES CONTACTS	10	<i>4.2. REMOVAL OF TERMINALS</i>
4.3. DÉFINITION DES OUTILS DE RETOUCHE	11	<i>4.3. DESCRIPTION OF EXTRACTION TOOLS</i>

THE REPRODUCTION, TRANSMISSION OR USE OF THIS DOCUMENT OR ITS CONTENTS IS NOT PERMITTED WITHOUT EXPRESSED WRITTEN AUTHORITY. OFFENDERS WILL BE LIABLE FOR ALL DAMAGES. ALL RIGHTS, INCLUDING RIGHTS CREATED BY REGISTERED PATENT(S) GRANTED FOR A UTILITY MODEL OR DESIGN, ARE RESERVED.

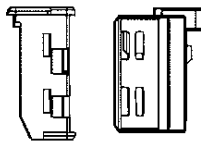
				Date 26/11/99	Title. APPLICATION SPECIFICATION CAHIER DE PRECONISATION
				Name David Verhulst	
				Dep. ECCS A PD	
52		26/01/00	DV	<b>S.E.C.M.</b>	V23540-A1200-X5-* -5872
51		26/11/99	DV		
REV.	CHANGE ORDER	DATE	APP.		Page 2 of 11

1. CONSTITUANTS DU CONNECTEUR 6 VOIES  
1. COMPONENTS FOR 6 WAY CONNECTOR

CLIP "ELO" 0.635  
FEMALE TERMINAL "ELO" 0.635

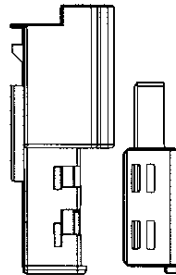


PORTE-CLIPS  
FEMALE HOUSING



DOUBLE VERROUILLAGE  
DU PORTE-CLIPS  
SECONDARY LOCKING OF  
THE FEMALE HOUSING

PORTE-LANGUETTES  
MALE HOUSING



DOUBLE VERROUILLAGE  
DU PORTE-LANGUETTES  
SECONDARY LOCKING OF  
THE MALE HOUSING

LANGUETTE "ELO" 0.635  
MALE TERMINAL "ELO" 0.635



THE REPRODUCTION, TRANSMISSION OR USE OF THIS DOCUMENT OR ITS CONTENTS IS NOT PERMITTED WITHOUT EXPRESSED WRITTEN AUTHORITY. OFFENDERS WILL BE LIABLE FOR ALL DAMAGES. ALL RIGHTS, INCLUDING RIGHTS CREATED BY REGISTERED PATENT(S) GRANTED FOR A UTILITY MODEL OR DESIGN, ARE RESERVED.

				Date	26/11/99	Title APPLICATION SPECIFICATION CAHIER DE PRECONISATION
				Name	David Verhulst	
				Dep.	ECCS A PD	
52		26/01/00	DV	S.E.C.M.		V23540-A1200-X5-*-5872
51		26/11/99	DV			
REV.	CHANGE ORDER	DATE	APP.	Page 3 of 11		

**2. MISE EN OEUVRE DU CONNECTEUR****2. CONNECTOR ASSEMBLY PROCESS****2.1. RECOMMANDATIONS POUR LES CÂBLERIES****2.1. RECOMMENDATIONS FOR THE HARNESSES MAKERS PLANTS**

A. NE DÉCONDITIONNER LES PRODUITS QUE JUSTE AVANT LEUR MISE EN OEUVRE (POUSSIÈRE, ...).

A. UNPACK THE PRODUCTS JUST BEFORE THEIR ASSEMBLY OPERATION (DUST, ...)

THE REPRODUCTION, TRANSMISSION OR USE OF THIS DOCUMENT OR ITS CONTENTS IS NOT PERMITTED WITHOUT EXPRESSED WRITTEN AUTHORITY. OFFENDERS WILL BE LIABLE FOR ALL DAMAGES. ALL RIGHTS, INCLUDING RIGHTS CREATED BY REGISTERED PATENT(S) GRANTED FOR A UTILITY MODEL OR DESIGN, ARE RESERVED.

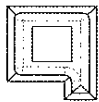
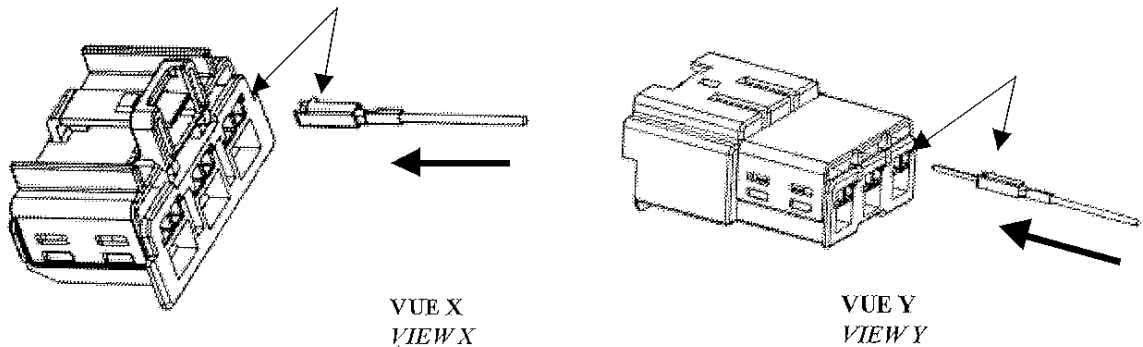
				Date	26/11/99	Title APPLICATION SPECIFICATION CAHIER DE PRECONISATION
				Name	David Verhulst	
				Dep.	ECCS A PD	
52		26/01/00	DV	<b>S.E.C.M.</b>		V23540-A1200-X5-*--5872
51		26/11/99	DV			
REV.	CHANGE ORDER	DATE	APP.	Page 4 of 11		

# APPLICATION SPECIFICATION

LANGUAGE  
FRENCH/ENGLISH

## 2.2. MONTAGE DES CONTACTS DANS LES BOITIERS 2.2. MOUNTING OF THE TERMINALS INTO HOUSINGS

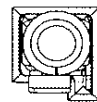
- A. S'ASSURER QUE LE DOUBLE VERROUILLAGE EST EN POSITION PRÉ-ENCLIQUETÉE.  
A. MAKE SURE THAT THE SECONDARY LOCKING IS IN PRE SET POSITION.
- A. PRÉSENTER LES CONTACTS EN FACE DES ALVÉOLES CORESPONDANTES EN RESPECTANT LA POLARISATION (VOIR VUES X ET Y), PUIS LES INSÉRER JUSQU'À ENCLIQUETAGE DU VERROUILLAGE PRIMAIRE. EFFECTUER UN POUSSER-TIRER POUR VÉRIFIER LE BON ENCLIQUETAGE.  
B. PLACE THE TERMINALS IN FRONT OF THEIR RESPECTIVE CAVITIES RESPECTING THE POLARIZATION (SEE VIEW X AND Y), AND PUSH ON THE WIRES TILL THE LOCKING OF THE PRIMARY LOCKING. MAKE A PUSH-PULL TO CHECK THE LOCKING.



ALVÉOLE  
CAVITY



CONTACT  
TERMINAL



APRÈS INSERTION  
AFTER INSERTION

### DÉTAIL DE LA POLARISATION DES CONTACTS DETAIL OF THE TERMINALS POLARIZATION

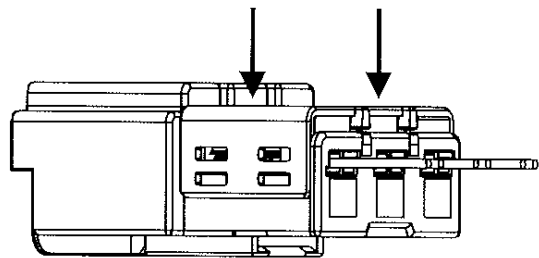
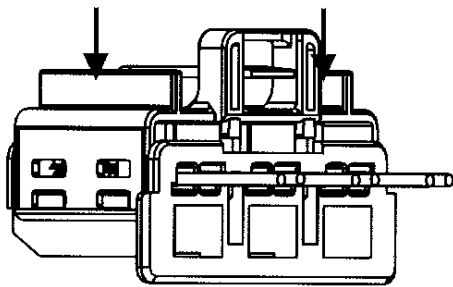
THE REPRODUCTION, TRANSMISSION OR USE OF THIS DOCUMENT OR ITS CONTENTS IS NOT PERMITTED WITHOUT EXPRESSED WRITTEN AUTHORITY. OFFENDERS WILL BE LIABLE FOR ALL DAMAGES. ALL RIGHTS, INCLUDING RIGHTS CREATED BY REGISTERED PATENT(S) GRANTED FOR A UTILITY MODEL OR DESIGN, ARE RESERVED.

				Date	26/11/99	Title APPLICATION SPECIFICATION CAHIER DE PRECONISATION
				Name	David Verhulst	
				Dep.	ECCS A PD	
52		26/01/00	DV	<b>S.E.C.M.</b>		V23540-A1200-X5-*-5872
51		26/11/99	DV			
REV.	CHANGE ORDER	DATE	APP.	Page 5 of 11		

## 2.3. FERMETURE DU DOUBLE VERROUILLAGE

## 2.3. LOCKING OF THE SECONDARY LOCKING

- A. UNE DES FONCTIONS DU DOUBLE VERROUILLAGE EST DE DÉTECTER UN CONTACT MAL ENCLIQUETÉ. DANS CE CAS, POUSSER LES FILS JUSQU'À ENCLIQUETAGE DU VERROUILLAGE PRIMAIRE, PUIS FERMER LE DOUBLE VERROUILLAGE.
- A. ONE OF THE FUNCTIONS OF THE SECONDARY LOCKING IS TO DETECT A TERMINAL NOT FULLY IN PLACE. IN THIS CASE, PUSH AGAIN ON THE WIRES TILL THE LOCKING OF THE PRIMARY LOCKING AND CLOSE THE SECONDARY LOCKING.
- B. POUR FERMER LE DOUBLE VERROUILLAGE, POUSSER SUR LES DEUX COTÉS.
- B. TO CLOSE THE SECONDARY LOCKING, PUSH ON BOTH SIDES.



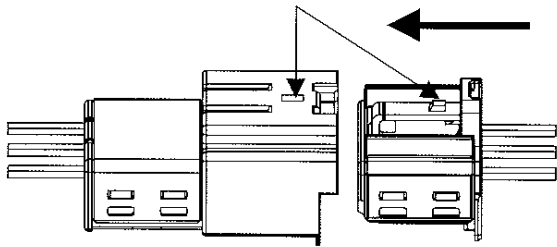
THE REPRODUCTION, TRANSMISSION OR USE OF THIS DOCUMENT OR ITS CONTENTS IS NOT PERMITTED WITHOUT EXPRESSED WRITTEN AUTHORITY. OFFENDERS WILL BE LIABLE FOR ALL DAMAGES. ALL RIGHTS, INCLUDING RIGHTS CREATED BY REGISTERED PATENT(S) GRANTED FOR A UTILITY MODEL OR DESIGN, ARE RESERVED.

				Date	26/11/99	Title. APPLICATION SPECIFICATION CAHIER DE PRECONISATION
				Name	David Verhulst	
				Dep.	ECCS A PD	
52		26/01/00	DV	S.E.C.M.		V23540-A1200-X5-*-5872
51		26/11/99	DV			
REV.	CHANGE ORDER	DATE	APP.	Page 6 of 11		

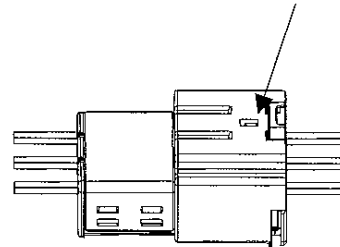
2.4. ACCOUPLEMENT DU CONNECTEUR

2.4. CONNECTION OF THE CONNECTOR

- A. PRENDRE LES BOITIERS ENTRE LE POUCE ET L'INDEX. INSÉRER LE PORTE-CLIPS DANS LE PORTE-LANGUETTES PUIS POUSSER JUSQU' AU VERROUILLAGE. EFFECTUER UN POUSSER-TIRER POUR VÉRIFIER LE BON VERROUILLAGE.
- A. TAKE THE BOTH HOUSINGS BETWEEN THUMB AND INDEX FINGER. INSERT THE FEMALE HOUSING INTO THE MALE HOUSING AND PUSH TILL THE LOCKING. MAKE A PUSH-PULL TO CHECK THE LOCKING.



POSITION PRÉ-MONTÉE  
PRE-INSTALLED POSITION



POSITION VERROUILLÉE  
INSTALLED POSITION

THE REPRODUCTION, TRANSMISSION OR USE OF THIS DOCUMENT OR ITS CONTENTS IS NOT PERMITTED WITHOUT EXPRESSED WRITTEN AUTHORITY. OFFENDERS WILL BE LIABLE FOR ALL DAMAGES. ALL RIGHTS, INCLUDING RIGHTS CREATED BY REGISTERED PATENT(S) GRANTED FOR A UTILITY MODEL OR DESIGN, ARE RESERVED.

				Date	26/11/99	Title APPLICATION SPECIFICATION CAHIER DE PRECONISATION
				Name	David Verhulst	
				Dep.	ECCS A PD	
52		26/01/00	DV	<b>S.E.C.M.</b>		V23540-A1200-X5-*-5872
51		26/11/99	DV			
REV.	CHANGE ORDER	DATE	APP.	Page 7 of 11		

# APPLICATION SPECIFICATION

LANGUAGE  
FRENCH/ENGLISH

## 3. TESTS ELECTRIQUES

### 3. ELECTRICAL TESTS

VOIR TESTSPECIFICATION V23599-E5004-C1-\*-7424  
ET DESSIN DE LA TIGE VERIFICATRICE C23334-W10-C48-\*-7406

*SEE TESTSPECIFICATION V23599-E5004-C1-\*-7424  
AND POGO PIN DRAWING C23334-W10-C48-\*-7406*

THE REPRODUCTION, TRANSMISSION OR USE OF THIS DOCUMENT  
OR ITS CONTENTS IS NOT PERMITTED WITHOUT EXPRESSED  
WRITTEN AUTHORITY. OFFENDERS WILL BE LIABLE FOR ALL  
DAMAGES. ALL RIGHTS, INCLUDING RIGHTS CREATED BY  
REGISTERED PATENT(S) GRANTED FOR A UTILITY MODEL OR  
DESIGN, ARE RESERVED.

				Date	26/11/99	Title. APPLICATION SPECIFICATION CAHIER DE PRECONISATION
				Name	David Verhulst	
				Dep.	ECCS A PD	
52		26/01/00	DV	<b>S.E.C.M.</b>		V23540-A1200-X5-*-5872
51		26/11/99	DV			
REV.	CHANGE ORDER	DATE	APP.	Page 8 of 11		



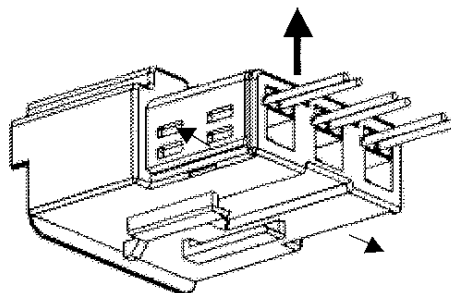
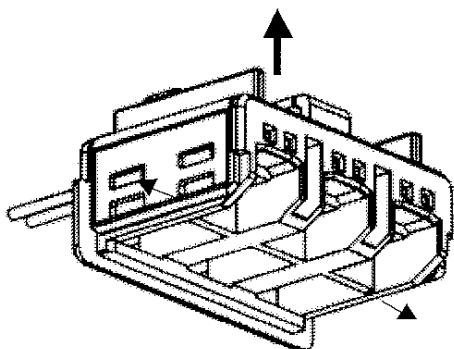
## 4. RETOUCHE

## 4. REWORK OPERATION

## 4.1. OUVERTURE DU DOUBLE VERROUILLAGE

## 4.1. OPENING OF SECONDARY LOCKING

- A. TIRER AUX COTÉS DU DOUBLE VERROUILLAGE ET METTRE LES TROUS DANS LE DOUBLE VERROUILLAGE AU-DESSUS DES BLOCKS SUR LE PORTE-CLIPS ET PORTE-LANGUETTES.
- A. PULL ON THE SIDES OF THE SECONDARY LOCKING AND BRING THE HOLES IN THE SECONDARY LOCKING OVER THE BLOCKS ON THE HOUSING.



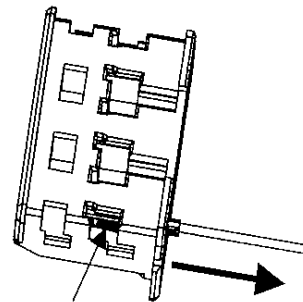
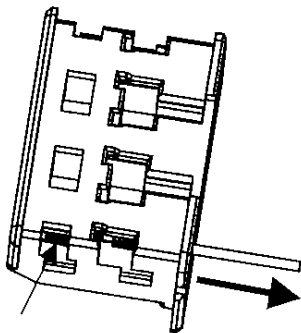
THE REPRODUCTION, TRANSMISSION OR USE OF THIS DOCUMENT OR ITS CONTENTS IS NOT PERMITTED WITHOUT EXPRESSED WRITTEN AUTHORITY. OFFENDERS WILL BE LIABLE FOR ALL DAMAGES. ALL RIGHTS, INCLUDING RIGHTS CREATED BY REGISTERED PATENT(S) GRANTED FOR A UTILITY MODEL OR DESIGN, ARE RESERVED.

				Date	26/11/99	Title APPLICATION SPECIFICATION CAHIER DE PRECONISATION
				Name	David Verhulst	
				Dep.	ECCS A PD	
52		26/01/00	DV	S.E.C.M.		V23540-A1200-X5-*-5872
51		26/11/99	DV			
REV.	CHANGE ORDER	DATE	APP.	Page 9 of 11		

## 4.2. DÉMONTAGE DES CONTACTS

## 4.2. REMOVAL OF THE TERMINALS

- A. LES CONTACTS SE DÉMONTENT À L'AIDE DE L'OUTIL DIN 8320-A0,23x1,5. ENLEVER LE DOUBLE VERROUILLAGE, PUIS APPUYER SUR LA LANCE DU CONTACT À L'AIDE DE L'OUTIL TOUT EN TIRANT SUR LE FIL DU CONTACT À DÉMONTÉ. EXECUTER CETTE OPÉRATION DEUX FOIS POUR CHAQUE CONTACT.
- A. *THE TERMINALS CAN BE REMOVED WITH THE TOOL DIN 8320-A0,23x1,5. REMOVE THE SECONDARY LOCKING AND PUSH ON THE TERMINAL LATCH WITH THE TOOL WHILE PULLING ON THE WIRE CORRESPONDING WITH THE TERMINAL YOU WANT TO REMOVE. DO THIS ACTION TWO TIMES FOR EACH TERMINAL.*



THE REPRODUCTION, TRANSMISSION OR USE OF THIS DOCUMENT OR ITS CONTENTS IS NOT PERMITTED WITHOUT EXPRESSED WRITTEN AUTHORITY. OFFENDERS WILL BE LIABLE FOR ALL DAMAGES. ALL RIGHTS, INCLUDING RIGHTS CREATED BY REGISTERED PATENT(S) GRANTED FOR A UTILITY MODEL OR DESIGN, ARE RESERVED.

				Date	26/11/99	Title. APPLICATION SPECIFICATION CAHIER DE PRECONISATION
				Name	David Verhulst	
				Dep.	ECCS A PD	
52		26/01/00	DV	S.E.C.M.		V23540-A1200-X5-*-5872
51		26/11/99	DV			
REV.	CHANGE ORDER	DATE	APP.	Page 10 of 11		

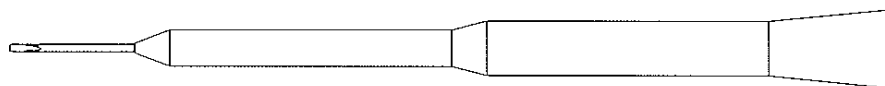
# APPLICATION SPECIFICATION

LANGUAGE  
FRENCH/ENGLISH

## 4.3 DEFINITION DES OUTILS DE RETOUCHE

### 4.3 DESCRIPTION OF EXTRACTION TOOLS

- A. L'OUTIL SERVANT À DÉMONTER LES CONTACTS 0.635 DOIT ÊTRE SUIVANT LA NORME DIN 8320, REFERENCE SIEMENS D8320-B8.
- A. *THE TOOL TO REMOVE THE TERMINALS 0.635 MUST BE ACCORDING TO DIN 8320, SIEMENS NUMBER D8320-B8.*



THE REPRODUCTION, TRANSMISSION OR USE OF THIS DOCUMENT OR ITS CONTENTS IS NOT PERMITTED WITHOUT EXPRESSED WRITTEN AUTHORITY. OFFENDERS WILL BE LIABLE FOR ALL DAMAGES. ALL RIGHTS, INCLUDING RIGHTS CREATED BY REGISTERED PATENT(S) GRANTED FOR A UTILITY MODEL OR DESIGN, ARE RESERVED.

				Date	26/11/99	Title. APPLICATION SPECIFICATION CAHIER DE PRECONISATION
				Name	David Verhulst	
				Dep.	ECCS A PD	
52		26/01/00	DV	<b>S.E.C.M.</b>		V23540-A1200-X5-*-5872
51		26/11/99	DV			
REV.	CHANGE ORDER	DATE	APP.	Page 11 of 11		