



PRINTER SENSOR SETTING

THIS IS A CLASS 1 DOCUMENT WHICH IS NONCONFIDENTIAL.

The information contained within this document is the property of TE Connectivity. It is supplied in confidence and the commercial security of the contents must be maintained. It must not be used for any purpose other than that for which it is supplied nor may any information contained in it be disclosed to unauthorised persons. It must not be reproduced in whole or in part without obtaining written permission from TE Connectivity (TE).

While TE has made every reasonable effort to ensure the accuracy of the information in this catalog, TE does not guarantee that it is error-free, nor does TE make any other representation, warranty or guarantee that the information is accurate, correct, reliable or current. TE reserves the right to make any adjustments to the information contained herein at any time without notice. TE expressly disclaims all implied warranties regarding the information contained herein, including, but not limited to, any implied warranties of merchantability or fitness for a particular purpose. The dimensions in this catalog are for reference purposes only and are subject to change without notice. Specifications are subject to change without notice. Consult TE for the latest dimensions and design specifications.

*Trademark. TE Connectivity, TE connectivity (logo), and TE (logo) are trademarks. Other logos, product and/or company names may be trademarks of their respective owners.



Table of Contents

1. INTRODUCTION3

2. MOVABLE LABEL SENSOR ADJUSTMENT4

 2.1. T200-IDENT-PRINTER SENSOR ADJUSTMENT5

 2.2. TE3112/TE3124-PRINTERS SENSOR ADJUSTMENT6

3. NON-MOVABLE LABEL SENSOR7

 3.1. T208M/T212M-PRINTERS SENSOR REQUIREMENTS7

4. LABEL SENSOR POTENTIAL ISSUES8

 4.1. Label sensor not adjusted to a sensor registration notch8

 4.2. Label sensor adjusted between labels8



1. INTRODUCTION

Printer labels sensor require a datum to start measurements from, figures 1 and 2 show two examples of cut out sensor registration notches.

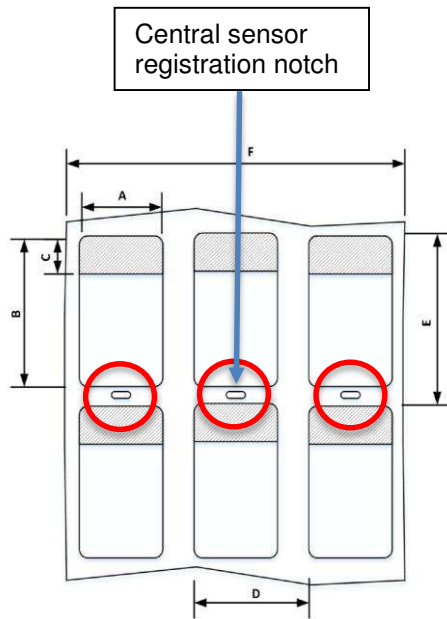


Figure 1, three sensor registration notches

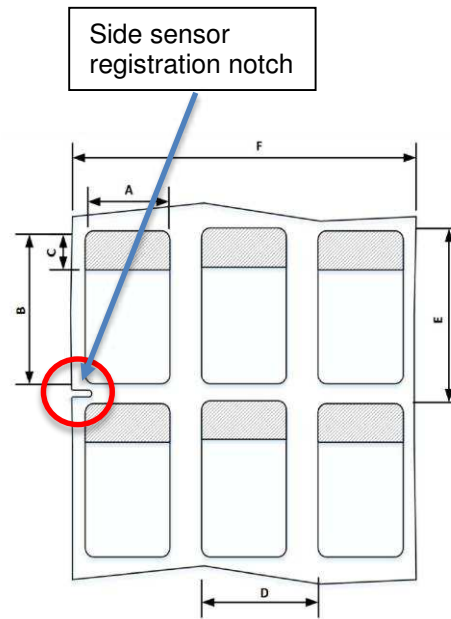


Figure 2, side sensor registration notch

The central sensor registration notch shown in Figure 1, can be used for printers equipped with a fixed central label sensor, and printers equipped with a movable label sensor.

TE printer models T208M or T212M have a fixed central label sensor so it is necessary to print labels with only central sensor registration notches (example shown in Figure 1)

The current range of TE printers (T200-Ident, TE3112, TE3124 and T312Mi) are equipped with movable label sensor so can be adjusted to both examples of sensor registration notches shown in Figures 1 & 2. Moveable printer sensor adjustment guidance is given in section 2.



2. MOVABLE LABEL SENSOR ADJUSTMENT

All new TE Printers will arrive with the Label sensor positioned in the middle, as shown in the example shown in Figure 3.

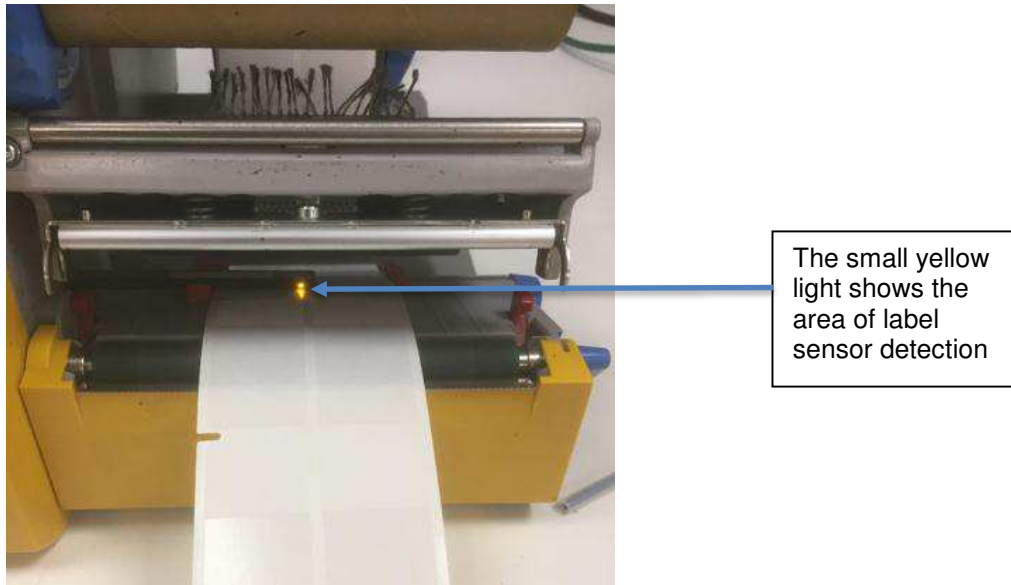


Figure 3, Label sensor in central position (Small yellow light)

In the case of labels with the side sensor registration notch, the Label sensor needs to be adjusted as in the example of Figure 4.

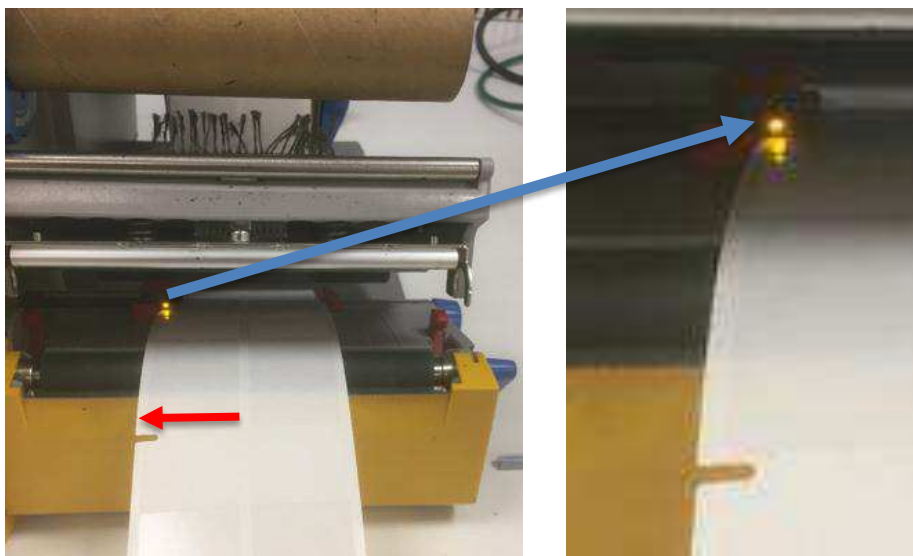


Figure 4, shows the Label sensor adjusted to correctly register the label position

2.1. T200-IDENT-PRINTER SENSOR ADJUSTMENT

Please consult the Printer Operator's Manual to make any sensor adjustments.
TE document 412-121029, "T200-IDENT Printer Operator's Manual", Section 4.3

4.3 Adjusting the Media Sensor



Notice!

When the printer is delivered the media sensor is positioned in the middle of the media feed. Thus, the media sensor must only be adjusted if:

- media with reflex or cut-out marks, which are not in the middle,
- multi-strip media with an even number of strips,
- media with irregularly shaped labels are used.

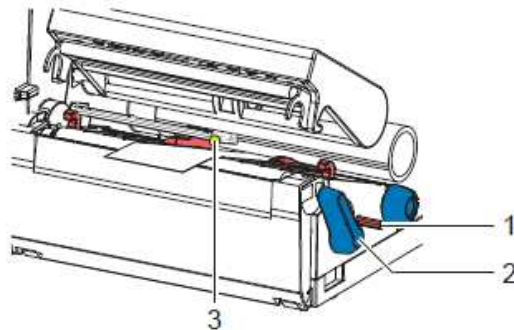


Fig. 9 Adjusting the Media Sensor

The sensor position (3) is marked with a yellow LED in the sensor retainer.

1. Press the sensor adjuster knob (1) using a pointed object, enabling the spring loaded sensor adjuster knob to be presented outside of the housing.
2. Position the sensor (3) by turning the knob (1) so that the sensor can detect the front edge of the media in the direction of paper flow or the reflex or cut-out mark.
3. Push the sensor adjuster knob (1) back into the housing using a pointed object until it snaps into place.

Excerpt 1, from the TE document 412-121029, "T200-IDENT Printer Operator's Manual", Section 4.3

2.2. TE3112/TE3124-PRINTERS SENSOR ADJUSTMENT

Please consult the Printer Operator's Manual to make any sensor adjustments.
TE document 412-121024, "TE3124 Printer Operator's Manual", Section 4.1.3
TE document 412-121026, "TE3112 Printer Operator's Manual", Section 4.1.3

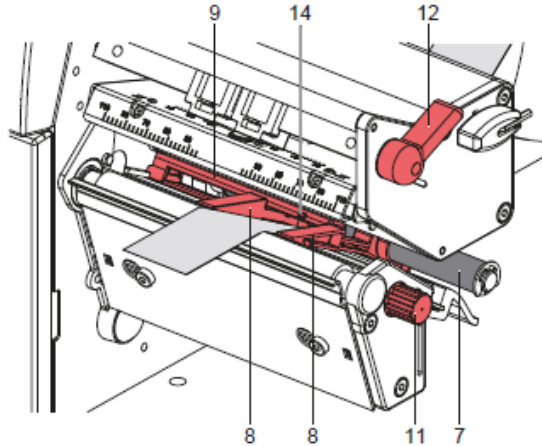


Fig. 8 Inserting a media strip into the printhead

1. Turn lever (12) counterclockwise to lift the printhead.
2. Move guides (8) apart with the knob (11) until the media can pass between them.
3. Push media strip below the guide roller (7) between the guides (8).
4. Guide media strip through the label sensor (9) in such a way that it leaves the print mechanics (6, fig 1) between printhead (10, fig 2) and the print roller (11, fig 2).
5. Move guides (8) against the edges of the material by turning the knob (11).

4.1.3 Setting the Label Sensor

The label sensor (9) can be shifted perpendicular to the direction of paper flow for adaptation to the media. The sensor unit of the label sensor is visible from the front through the print unit and is marked with an indentation (14) in the label sensor retainer. When the printer is switched on, a yellow LED illuminates the sensor position.

- ▶ Loosen the knurled knob (10, fig 7) and position label sensor by moving the knurled knob in such a way that the sensor can detect the label gap or a reflex or cut-out mark.

- or, if the labels deviate from a rectangular shape, -

- ▶ Align label sensor with the front edge of the label in the direction of paper flow.
- ▶ Re-tighten the knurled knob.
- ▶ Turn lever (12) clockwise to lock the printhead.

Excerpt 2, from the TE document 412-121026 & 412-121024, "TE3112 & TE3124 Operator's Manual", Section 4



3. NON-MOVABLE LABEL SENSOR

3.1. T208M/T212M-PRINTERS SENSOR REQUIREMENTS

The discontinued TE printers T208M (200DPI) and T212M (300DPI) are equipped with only a fixed label sensor, fixed in the central position.



Figure 5, example of a T208M

Fixed Labels sensor in central position



Figure 6

Central label sensor registration notch

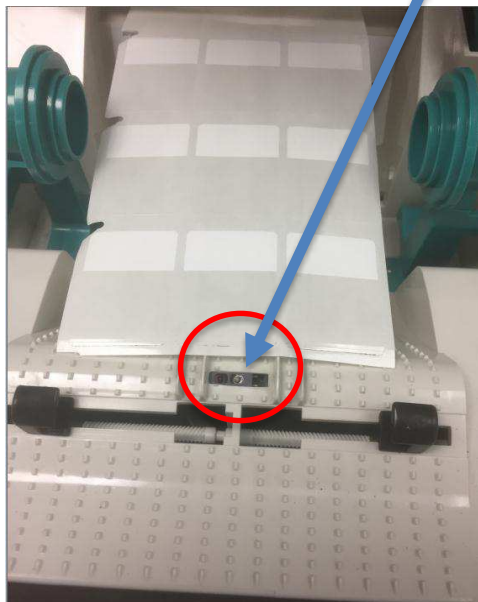


Figure 7, fixed label sensor

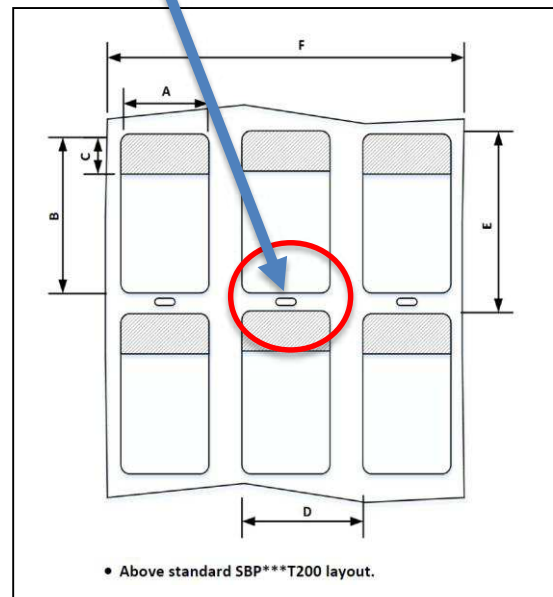


Figure 8, SBP Label T200 layout

• Above standard SBP***T200 layout.



4. LABEL SENSOR POTENTIAL ISSUES

4.1. Label sensor not adjusted to a sensor registration notch



If the label sensor is not adjusted to the sensor registration notch, the sensor will detect the **leading edge of the label**.

The printer will then print onto the clear lamination according to the template dimensions in the software

Figure 9, sensor not adjusted to side notch

4.2. Label sensor adjusted between labels



Figure 10, sensor positioned between labels

If the sensor is adjusted between the labels, approximately, 100cm of labels will transport through the printer stopping with a paper out error message.



Figure 11, Error message