



INSTALLATION INSTRUCTIONS

EPP-2404-11/20

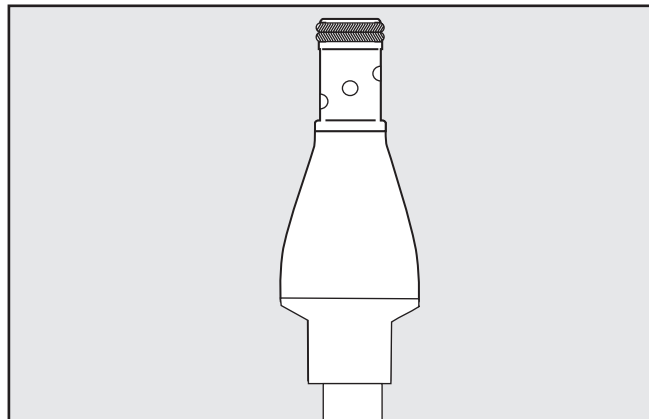
**Switchgear/Transformer Termination
Dry Version for Polymeric Cables
with Cu Wire
Plug-In Unit**

up to 170 kV

SIZE 2

TE's Raychem Cable Accessories

PHVX



Please dispose of all waste according to environmental regulations.



For more information: te.com/energy

Tyco Electronics Raychem GmbH
a TE Connectivity Ltd. Company
Finsinger Feld 1
85521 Ottobrunn/Munich, Germany
Tel: +49-89-6089-0
Fax: +49-89-6096-345

The Information contained in these installation instructions is for use only by installers trained to make electrical power installations and is intended to describe the correct method of installation for this product. However, TE Connectivity has no control over the field conditions which influence product installation.

It is the user's responsibility to determine the suitability of the installation method in the user's field conditions.

TE Connectivity's only obligations are those in TE Connectivity's standard Conditions of Sale for this product and in no case will TE Connectivity be liable for any other incidental, indirect or consequential damages arising from the use or misuse of the products.

Raychem, TE, TE Connectivity and TE connectivity (logo) are trademarks. © 2020 TE Connectivity. All Rights Reserved.

General Instructions

Before Starting

- Check the kit label and the title of the installation instructions to prove that the cable accessory you are going to use matches the cable.
- Make sure the cable is properly sealed.
- Make sure the cable is in the final installation position.
- Make sure the cable is straight at the jointing position.
- Check the position of the cables to be in alignment to the final position of the accessories.
- Make sure the joint bay/installation area provides adequate space for the cable components to be parked on either cable for later use during the installation.
- The joint bay/Installation area must be kept clean and dry during installation. For outdoor installation use tent or other appropriate shelter.
- Carefully read and follow the steps in the installation instructions. Components or working steps may have been changed/improved since you last installed this product.
- All tools, PPE and apparatus used must be kept clean during the installation.
- Obey relevant and local security and safety rules during the installation.

Shrinking Heat-Shrink Tubing

- Use a propane (preferred) or butane gas torch.
- Ensure the torch is always used in a well-ventilated environment.
- Adjust the torch to obtain a soft blue flame with a yellow tip. Pencil-like blue flames should be avoided.
- Keep the torch aimed in the shrink direction to preheat the material.
- Keep the flame moving continuously to avoid scorching the material.
- Clean and degrease all parts that will come into contact with adhesives.
- If a solvent is used follow the manufacturer's handling instructions.
- Start shrinking the tubing at the position recommended in the instructions.
- Ensure that the tubing is shrunk smoothly all around before continuing along the cable.
- Tubing should be smooth and wrinkle free with inner components clearly defined.

Stripping the Cable

Use appropriate stripping tools for smooth and even insulation diameter.

Adjust the stripping tool to the thickness of the semi-conductive layer. Avoid removing too much of the insulation. Polish the stripped surface by hand using the supplied abrasive paper beginning with the lowest grid size, or by an appropriate sanding machine and abrasive paper and grades. The surface of the insulation must be even and free of all traces of conductive material.

Cables with Segmented Conductors

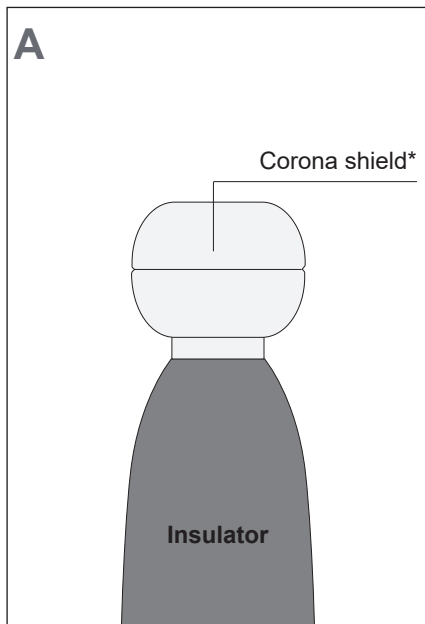
All cut back dimensions and information given in this instructions document refer to cables with non-segmented conductors only. In case of cables with segmented conductors, all insulation or conductive materials have to be removed from the conductor. If the removal of these materials require a longer cut back of the cable insulation, this length needs to be added to the cable cut back dimensions mentioned in the instructions.

NOTE

Special instructions for segmented conductors are available on request.

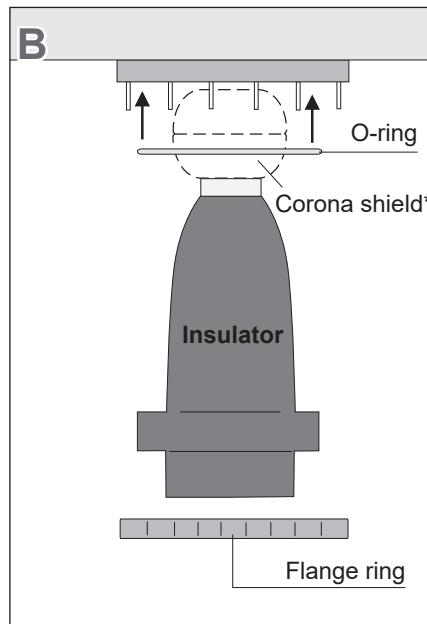
Installation of the Epoxy Insulator into the Switchgear/Transformer Housing

The epoxy insulator should be installed under supervision of the switchgear/transformer manufacturer.



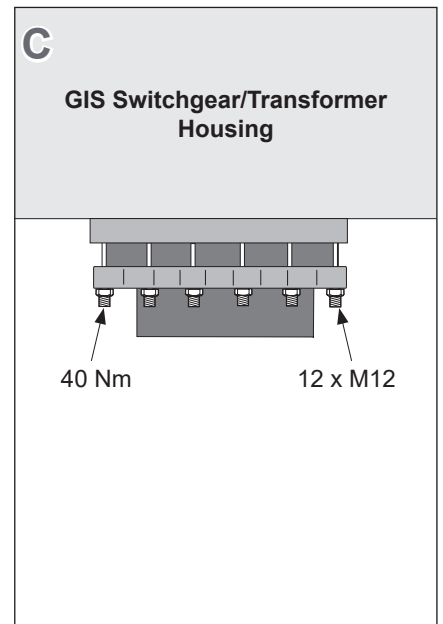
Bolt the lower part of the corona shield to the insulator electrode. Apply the top part of the corona shield.

*Corona shield for transformer termination only (not for switchgear).



Put the O-ring (supplied by the switchgear/transformer manufacturer) into the sealing groove of the switchgear. Clean and degrease the epoxy insulator (5). Keep it free from dust and dirt.

*Corona shield for transformer termination only (not for switchgear).



Insert the epoxy insulator into the switchgear/transformer housing. Apply the fixing ring. Bolt the fixing ring evenly to the switchgear/transformer housing.

NOTE

Bolt the fixing ring with a torque of 40 Nm.

A. Straightening and Heating of the Cable

Before starting the cable preparation, train the cable end in the straight installation position and fix it.

The cable needs to be heated and straightened for the length of complete installation.

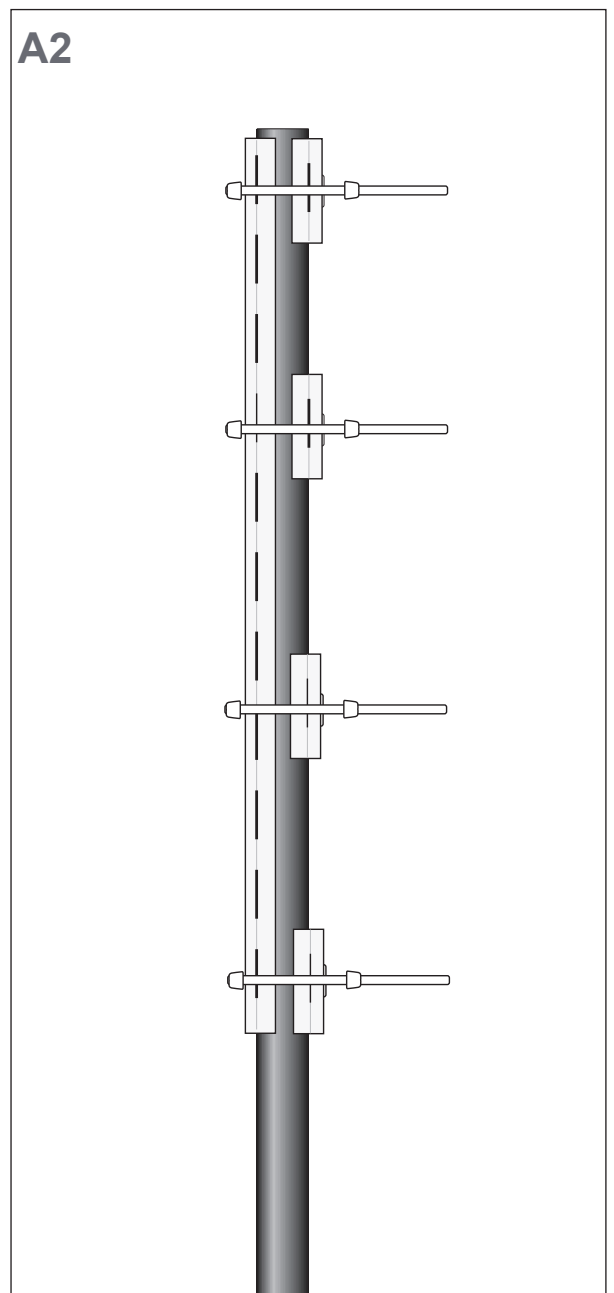
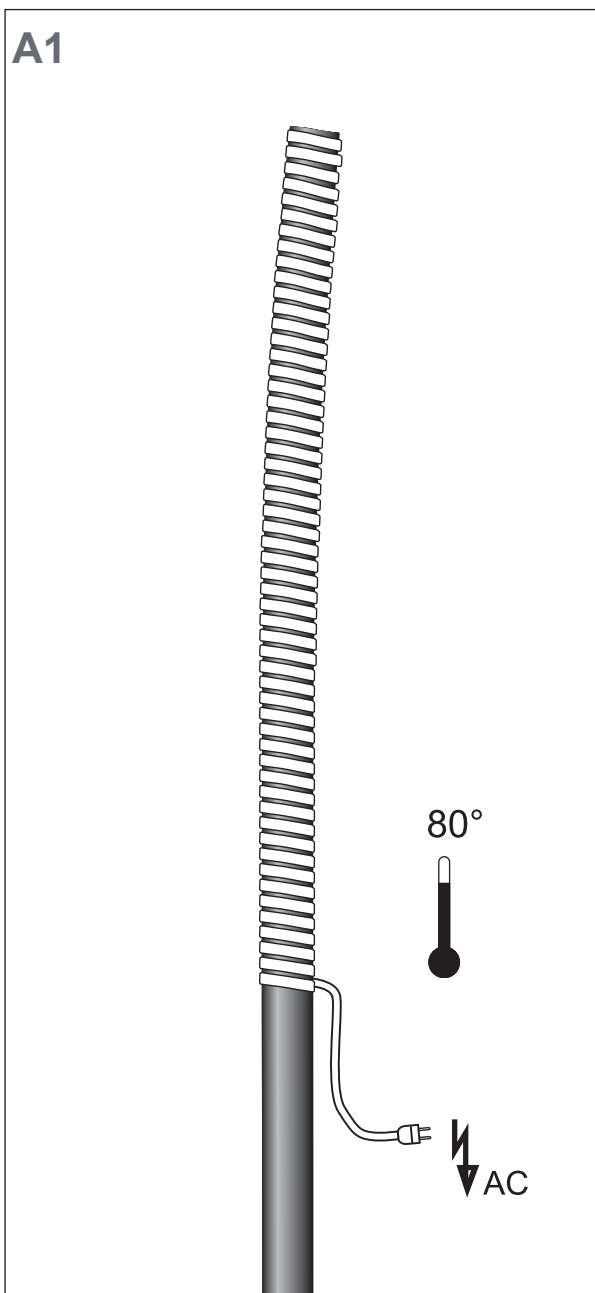
In case of graphite coating cover the cable with one layer of crepe paper.

Degrease and clean the overshath.

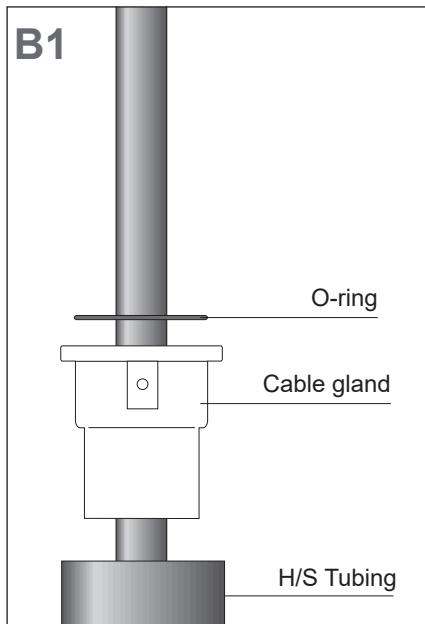
Heat the cable by applying a heating device to the overshath as shown in the TABLE BELOW.

Before stripping to the required dimensions, the cable needs to be cooled down to ambient temperature using slide rails.

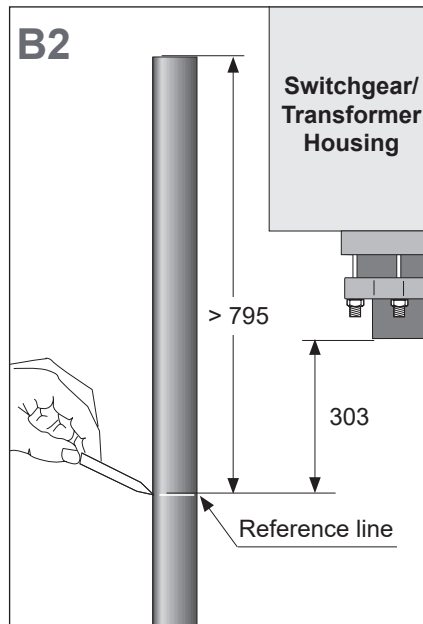
Cable Cross Section	Heating Time/ Temperature
up to 400 mm ²	4 h / 80 °C
up to 1200 mm ²	5 h / 80 °C
up to 2500 mm ²	6 h / 80 °C



B. Marking Reference Line



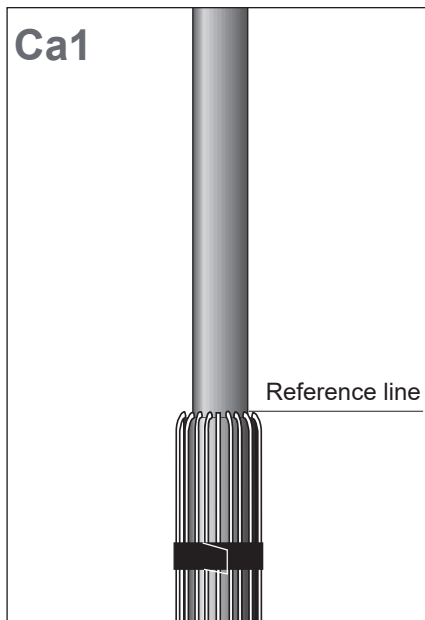
Move the heat shrinkable thick wall tubing, cable gland and O-ring down the cable jacket as shown in the drawing.
Make sure enough room is left for the installation of the plug-in unit.



Mark the reference line on the cable 303 mm below the transformer housing as shown.
This is the reference line for all further installation procedures. Make sure the remaining cable length above the reference line is at least 795 mm.

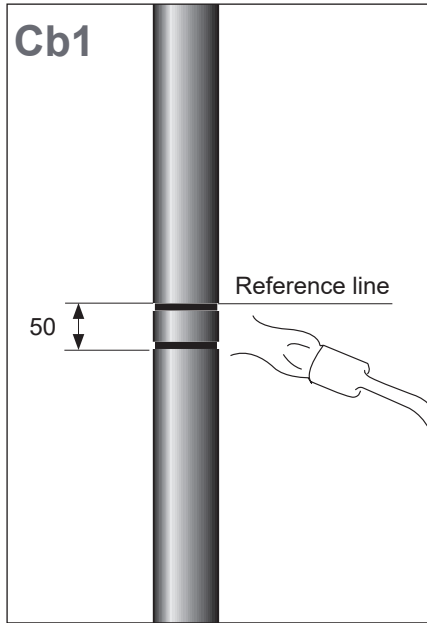
C Removing the Outer Jacket

a. Cable without Metal Foil

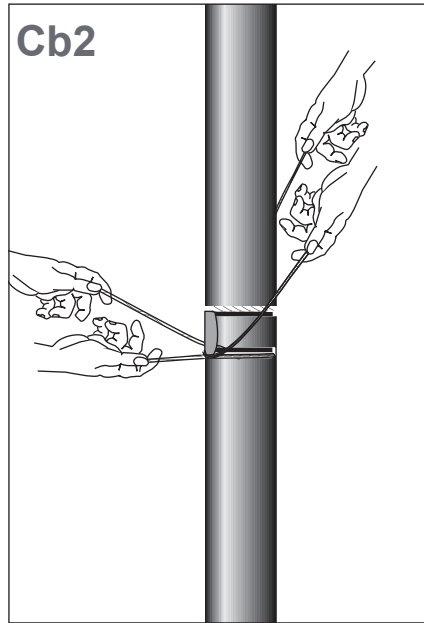


Starting out from the reference line, remove the outer jacket of the cable as shown.
Bend back the shield wires and fix them.
Continue with chapter D.

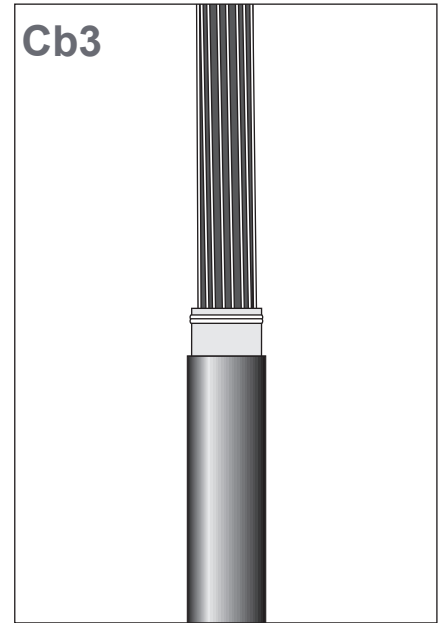
b. Cable with Metal Foil



Heat the cable outer jacket (**110**) below the reference line. Soften approx. 50 mm of the surface.

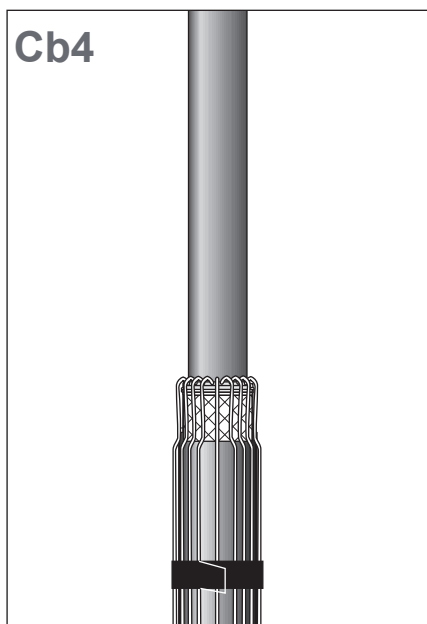


Cut through the outer jacket (**110**) with the supplied string. Remove the outer jacket from the Al-foil (**106**) by slicing segments away with the string as shown in the picture.

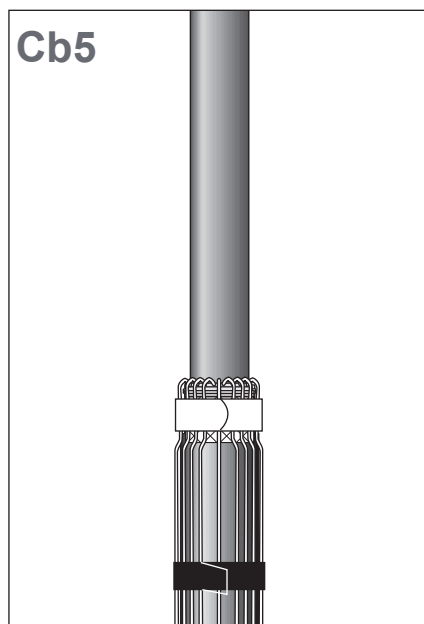


Fix the Al-foil (**106**) with a wire binder. Clean the Al-foil from traces of the outer jacket (if any). Remove the outer jacket, foil and bedding from the remaining cable end.

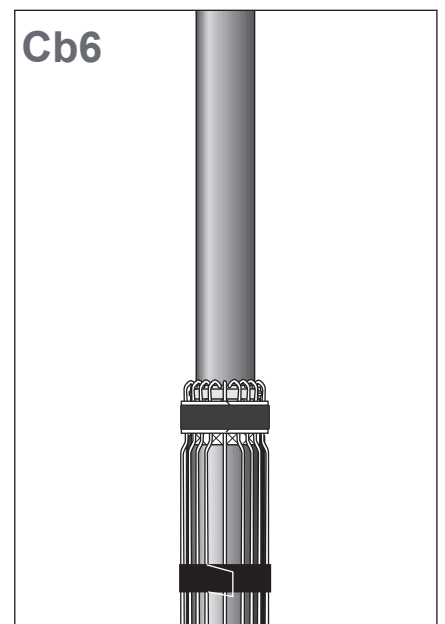
Wrap the copper mesh (**15**) onto the laminated aluminium foil (**106**). Bend the shield wires (**105**) back onto the outer jacket and fix them temporarily in place with PVC tape.



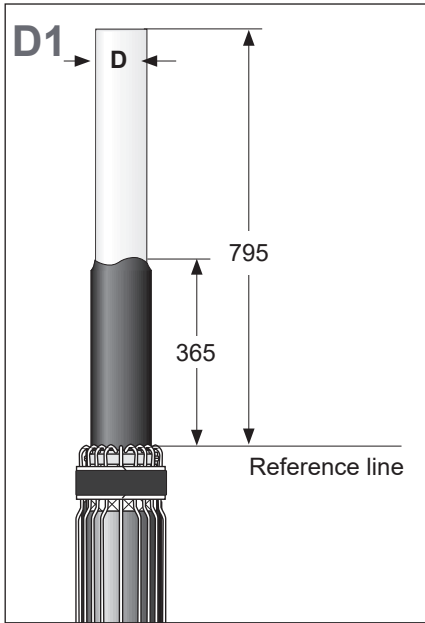
Install the roll spring (**19**) around the shield wires. Tighten the roll spring with a twisting action.



Protect the roll spring with PVC tape (**23**).



D Stripping the Outer Semicon Layer



Thoroughly remove the outer semicon layer to within 365 mm above the reference line until the diameter of the insulation is **D** (see **Table 1**).

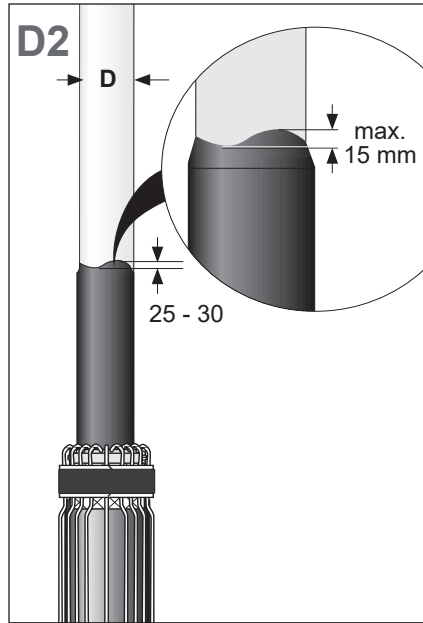
NOTE

Smooth the insulation as requested on page 2 (General Instructions).

Cut the cable core exactly 795 mm above the reference line. The cut must be right-angled.

NOTE

Do not damage the insulation.



Chamfer the outer semicon layer at least 25 - 30 mm.

Polish the insulation up to 260 mm from the outer semicon layer cut. Check the dimensions **D** as given in **table 1**.

D must keep the values within the given tolerances.

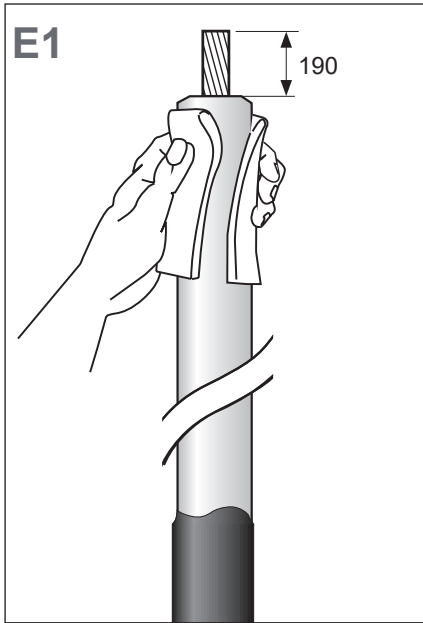
Make sure the transition from the outer semicon layer to the insulation transition corresponds in terms of shape and max. height with the wave shown in the detail.

Table 1

Stress Cone ref. #	Application range D (mm)	I. D. (mm)
HVCA-PHVX170-SCONE-73/80	73 ... 80	66
HVCA-PHVX170-SCONE-79/85	79 ... 85	72
HVCA-PHVX170-SCONE-84/90	84 ... 90	76
HVCA-PHVX170-SCONE-89/96	89 ... 96	80
HVCA-PHVX170-SCONE-95/102	95 ... 102	84
HVCA-PHVX170-SCONE-101/108	101 ... 108	90

*The limit values are valid for the finally prepared cable (after peeling and grinding). For peeling it must be considered that subsequent grinding will reduce the diameter by 0.5 - 1 mm.

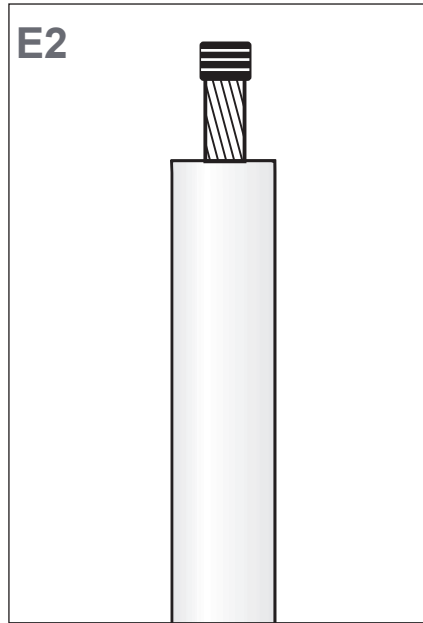
E. Preparing the Conductor



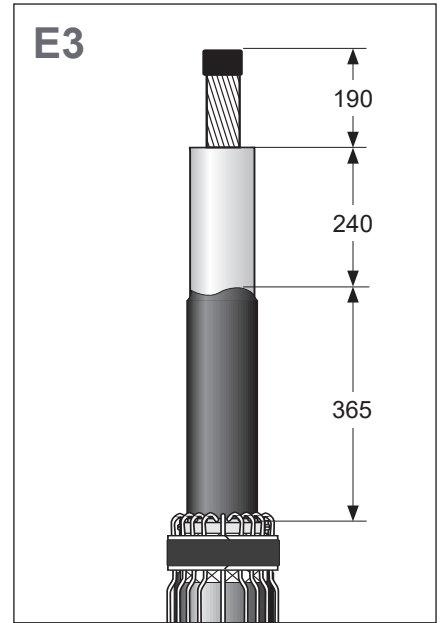
Remove 190 mm of the cable insulation as shown.
Chamfer the insulation and deburr the edges with sandpaper.
Clean the cable insulation thoroughly using the supplied cable cleaner.

NOTE

In case of a segmented conductor, all insulating layers have to be removed.



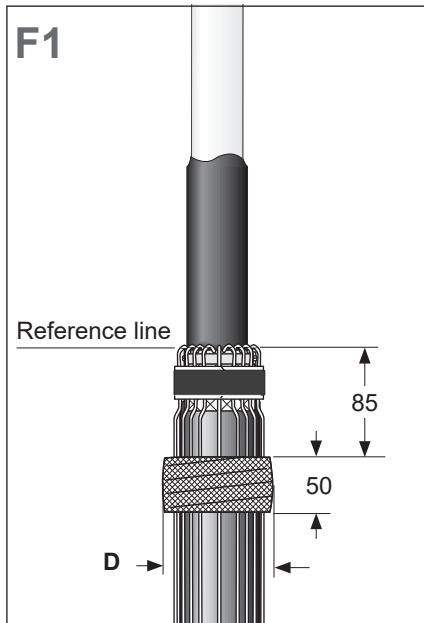
Protect the conductor with PVC tape as shown.



NOTE

Adhere to the dimensions in the drawing.
Check the dimension of 240 mm.

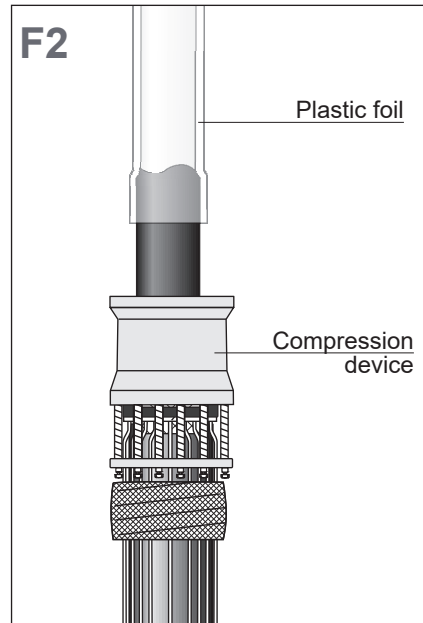
F Preparation for the Cable Gland



Apply a 50 mm wide packing of textile tape.
Start wrapping **85 mm below the reference line** as shown in the drawing.
D = Inner diameter of the gland.

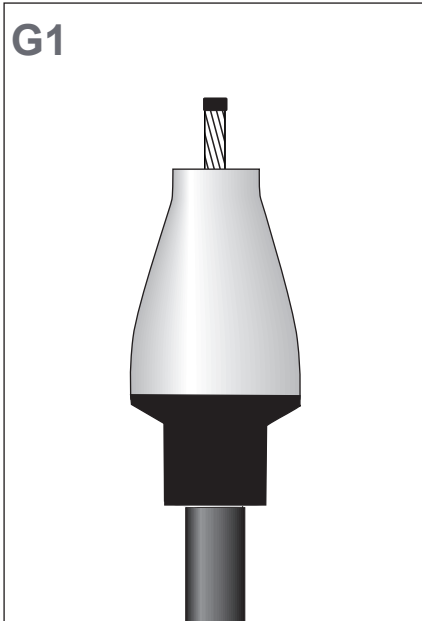
I.D. of gland
HVCA-PHVX-223-GLAND-110 = 115 mm

I.D. of gland
HVCA-PHVX-223-GLAND-135 = 140 mm



Wrap several layers of plastic foil over the prepared insulation.
Park the compression device onto the cable close to the textile tape wrap.
Remove the plastic foil.

G. Installing of Stress Cone and Connector



Installing the silicone stress cone.

Check the silicone stress cone before installation of damages, failure or defects.

Clean the stress cone and protect it against any contaminations or damages.

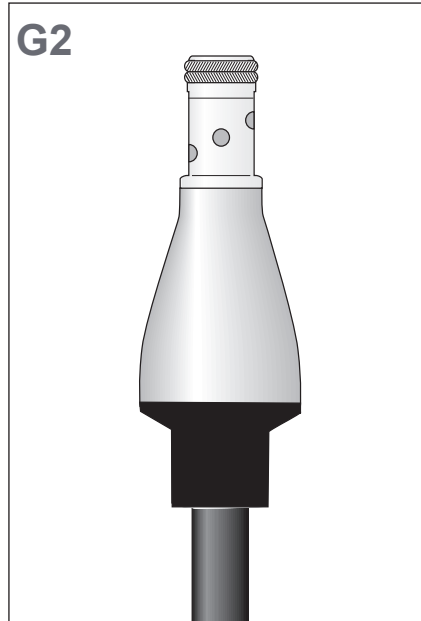
If any, remove the PVC protection tape.

Clean the cable insulation and the silicone stress cone bore with alcohol.

Thoroughly grease the cable insulation and the silicone stress cone bore with a special white lubricant.

Push the silicone stress cone onto the cable core until the insulation levels with the stress cone top.

Clean silicone surplus with alcohol.

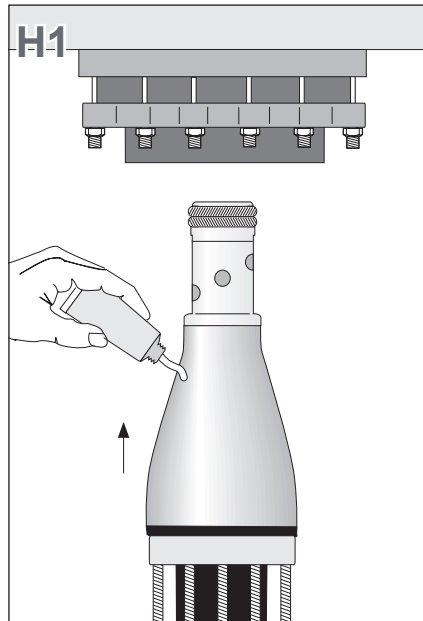


Remove the PVC tape from the conductor.

Place the connector barrel onto the conductor and butt it to the insulation cut.

Fit the connector on the conductor. Fix the connector by shearing off the bolts using a box spanner or by any equivalent method.

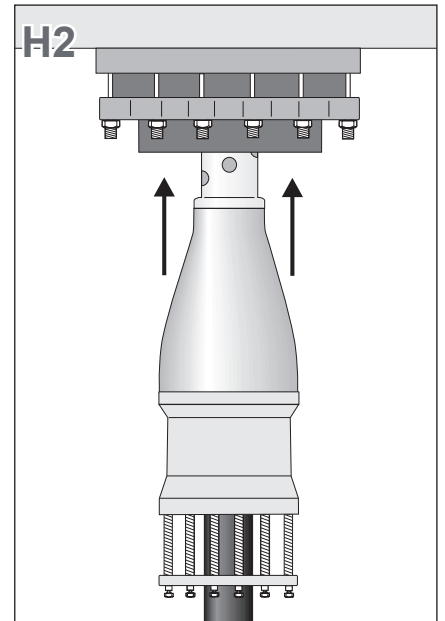
H. Installation of Plug-in Part



Remove the temporary protection from the connector stud. Clean and degrease the silicone stress cone with alcohol.

NOTE

Do not touch the conductive part with any solvent.
Clean the female part of the epoxy insulator with alcohol. Grease the silicone stress cone with silicone grease.



Push the cable with the male plug-in unit in a straight line into the epoxy insulator.

Push the compression device firmly against the silicone stress cone.

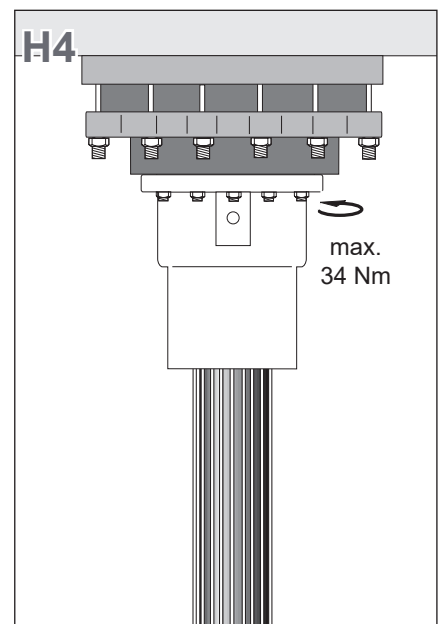
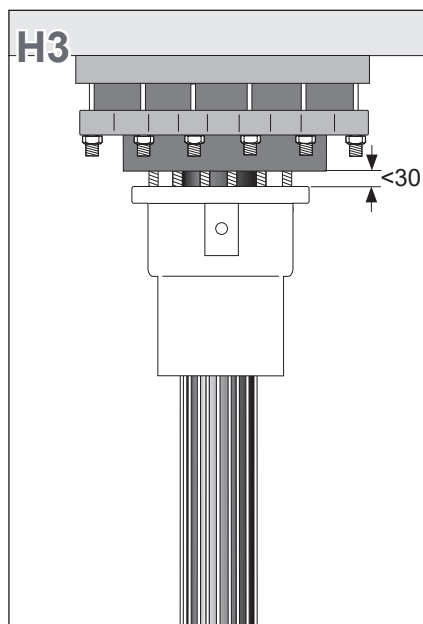
Push the cable with the male plug-in unit in a straight line into the epoxy insulator.

Make sure the O-ring is in position.

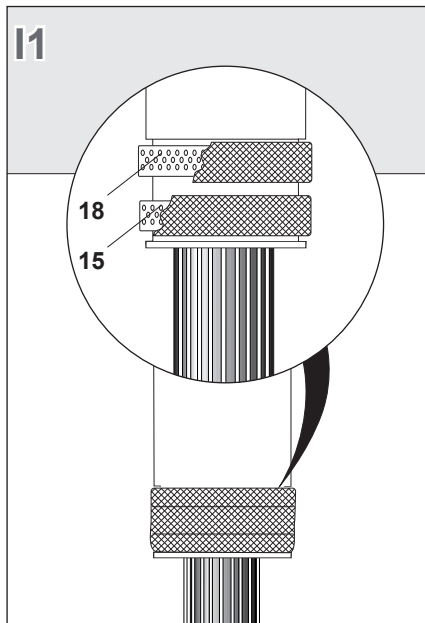
Push it until the distance between the top of the cable gland and the bottom of the epoxy insulator is less than 30 mm.

Bolt the cable gland to the epoxy insulator with the defined torque of maximally **34 Nm**.

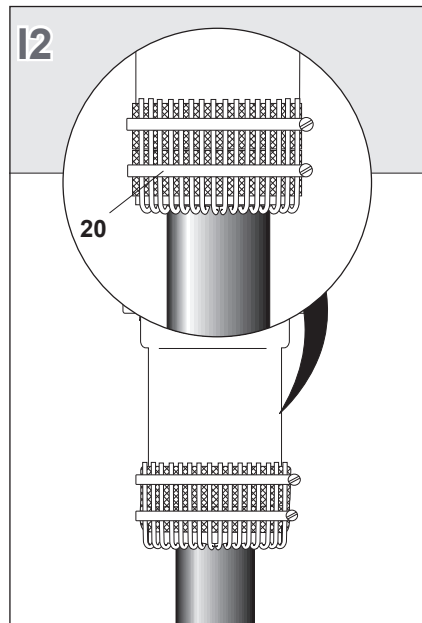
Fasten the bolts evenly around the diameter so that the male plug-in unit will not cant.



I Earthing the Cable Screen

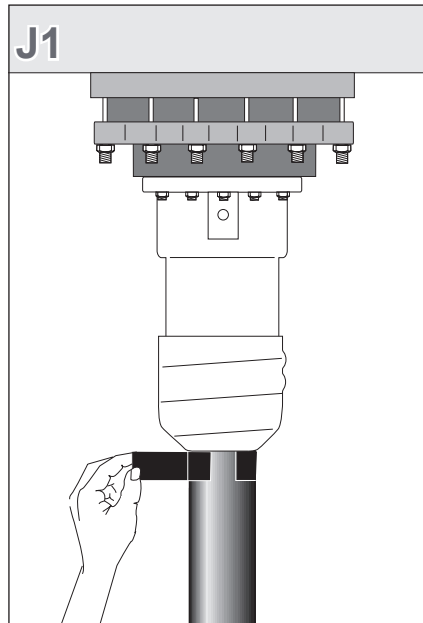


Abrade, degrease and clean the cable outer jacket and the cable gland. Wrap two contact bands (18) around the cable gland and fix them with two or three layers of copper mesh tape (15).

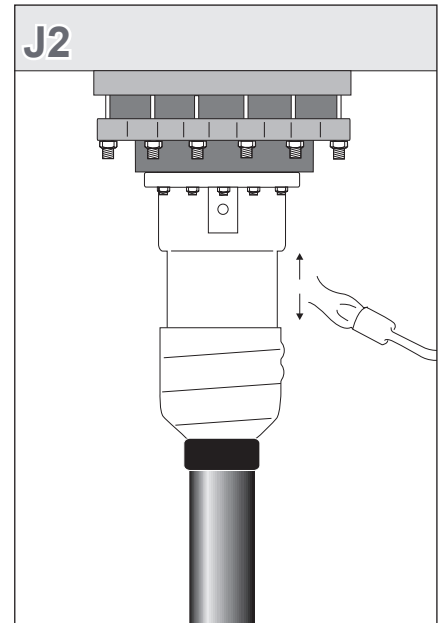


Cut the shield wires and bend them back onto the cable gland. Fix the shield wires as shown using two armour clamps (20).

J. Sealing the Cable Gland



Cover the armour clamps with textile tape.
Wrap one layer of black mastic tape around the outer jacket cut.



Preheat the cable gland stud.

The tubing is fully shrunk when the outer surface is smooth, has a glossy appearance and a flow of sealant is visible at each open end. Intimate surface contact should be made along the whole tubing length, conforming to the profile of the components underneath. The tubing should be smooth and wrinkle free with inner components clearly defined.

Connect the ground lead to the substation ground according to local requirements (4 x M12).

Wrap 1 layer of black mastic around the gland above the textile tape.

Position the heat shrinkable thick wall tubing approx. 150 mm on the cable gland.

