

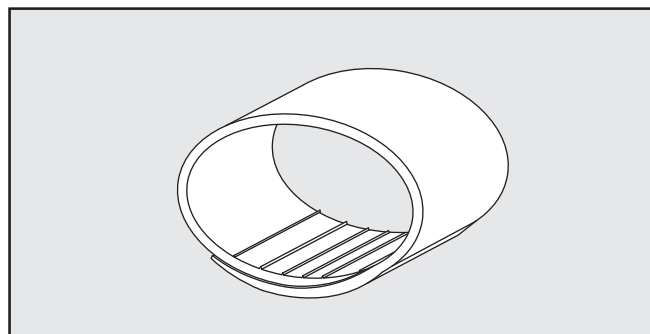


INSTALLATION INSTRUCTIONS

EPP-4264-8/23

MVCC/MVCC-G

Medium Voltage Conductor Cover



TE's Insulation & Protection

Product Information

Part number	Width	Length	Colour	Rolls per box
MVFT-G-2-12 (B4)	50 mm (2 inches)	11 m (12 yards)	Grey	4
MVFT-50-6400	50 mm (2 inches)	6.4 m (21 feet)	Red	1

Product description (metric)	Product Description (US only)	Colour	Application Range (Ø mm)	Application Range (Ø inches)
MVCC-90/3.5X4 (S3.7)	MVCC-90/3.5X4 (B12)	Red	44 – 89	1.75 – 3.5
MVCC-G-90/3.5X4 (S3.7)	MVCC-G-90/3.5X4 (B12)	Grey	44 – 89	1.75 – 3.5
MVCC-115/4.5X4 (S3.7)	MVCC-115/4.5X4(B12)	Red	89 – 102	3.5 – 4.5
MVCC-G-115/4.5X4 (S3.7)	MVCC-G-115/4.5X4(B12)	Grey	89 – 102	3.5 – 4.5

Please dispose of all waste according to environmental regulations.



For more information: te.com/energy

Tyco Electronics Raychem GmbH
a TE Connectivity Ltd. Company
Finsinger Feld 1
85521 Ottobrunn/Munich, Germany
Tel: +49-89-6089-0
Fax: +49-89-6096-345

Customer Service

For 24 hour customer service, call 800-327-6996.

TE Connectivity

8000 Purfoy Road
Fuquay-Varina NC 27526
Tel: (919) 552-3811
Fax: (919) 557-8404

The Information contained in these installation instructions is for use only by installers trained to make electrical power installations and is intended to describe the correct method of installation for this product. However, TE Connectivity (TE) has no control over the field conditions which influence product installation. It is the user's responsibility to determine the suitability of the installation method in the user's field conditions. TE's only obligations are those in TE's standard Conditions of Sale for this product and in no case will TE be liable for any other incidental, indirect or consequential damages arising from the use or misuse of the products.

Raychem, TE, TE Connectivity and TE connectivity (logo) are trademarks.
© 2021 TE Connectivity. All Rights Reserved.

Before Starting

- Check to ensure that the kit you are going to use fits the insulator/bushing.
- Refer to the kit label and the title of the installation instructions.
- Components or working steps may have been modified since you last installed this product.
- Carefully read and follow the steps in the installation instructions.

General Information

- Surface should be free of sharp edges or burrs and thoroughly cleaned and degreased before applying.
- Check core preparation dimensions before installing the product.

Cleaning the Cable

- Use an approved solvent, such as the one supplied in the P63 Cable Prep Kit, to clean the cable. Be sure to follow the manufacturer's instructions. Failure to follow these instructions could lead to product failure.
- Some newer solvents do not evaporate quickly and need to be removed with a clean, lint-free cloth. Failure to do so could change the volume resistivity of the substrate or leave a residue on the surface.
- Please follow the manufacturer's instructions carefully.

Safety Instructions

⚠ DANGER

When installing electrical power system accessories, failure to follow applicable personal safety requirements and written installation instructions could result in fire or explosion and serious or fatal injuries.

⚠ DANGER

As TE Connectivity (TE) has no control over field conditions which influence product installation, it is understood that the user must take this into account and apply his own experience and expertise when installing product.

⚠ DANGER

Power distribution and transmission products must be properly selected for the intended application. It must be installed and serviced by competent personnel who have been trained and understand proper safety procedures. These instructions are written for such personnel and are not a substitute for adequate training and experience in safety procedures.

⚠ CAUTION

Read and understand the contents of these instructions before installation and follow all locally approved procedures and safety practices before installing or operating this equipment.

⚠ CAUTION

These instructions cannot cover all details or variations in the equipment, procedures, or processes described, nor provide directions for meeting every possible contingency during installation, operation, or maintenance. When additional information is desired to satisfy a problem not covered sufficiently for the user's purpose, please contact your TE sales representative.

These instructions are not intended to supersede or replace existing safety and operating procedures.

NOTICE

Upon receipt of a product, inspect it thoroughly for damage and loss of parts incurred during shipment. If damage or loss is discovered, file a claim with the carrier immediately or contact your TE representative.

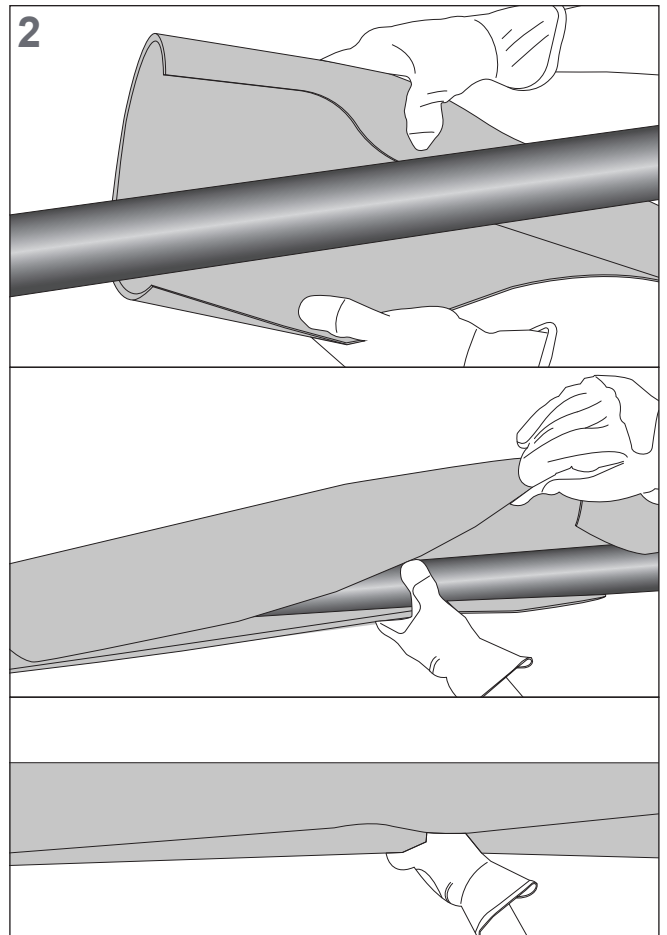
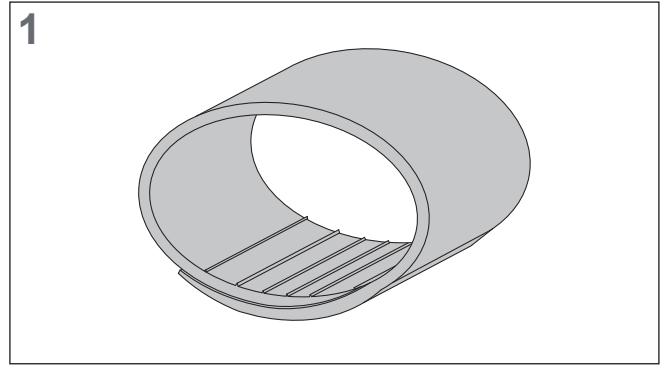
Measure and Cut MVCC

Cut MVCC to the desired length if needed. The MVCC is supplied in 4 foot lengths.

Placement of MVCC

Spread open one end of the MVCC and place it around the busbar. You can start the MVCC from either end.

Continue down the length of the MVCC, spreading it while installing along the busbar.



Securing of MVCC

Once the MVCC is fully wrapped around the length of busbar the installation is complete.

It is highly recommend to secure the MVCC in place.

Cable Ties

With the cable ties provided wrap the cable ties around the MVCC at the beginning and end of each length/section and at intervals 300 mm (1 ft) apart.

MVFT (available separately)

MVFT self amalgamating tape can be used, it is recommended to apply 2 wraps of MVFT tape at intervals of 300 mm (1 ft) apart.

Installation Complete.

